

LISTA DE APLICACIONES - BUYERS GUIDE

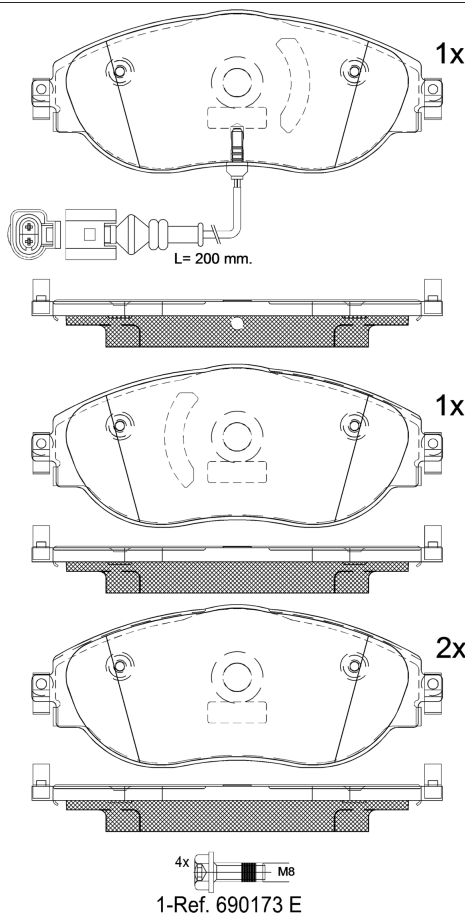
RB2018



Qty: 300

Weight: 2.755

O.E.M.	MAKE
3C0 698 151 E	VW
3C0 698 151 F	VW
3C0 698 151 G	VW
3C0 698 151 H	VW
3Q0 698 151 B	AUDI
5Q0 698 151 AJ	CUPRA
5Q0 698 151 G	VW
5Q0 698 151 L	VW
5QJ 698 151	SKODA (SVW)
7N0 698 151 A	VW
7N0 698 151 AT	VW
7N0 698 151 B	VW
7N0 698 151 C	SEAT
7N0 698 151 D	VW
7N0 698 151 E	VW
7N0 698 151 F	VW
8V0 698 151 C	VW
JZW 698 151 AT	VW
L5QJ 698 151	AUDI (FAW)



RB2018

E 9 90R-02A0111/3181



Trw

175.1x69.6x20

WVA	FMSI
24738	D1633-8849
25217	

Sin Filas



	Trac.	CC	Kw	CV			Front / Rear
--	-------	----	----	----	--	--	--------------

AUDI

						[CAMBIADO]:Fastback (Compact executive car-D Segment)				
A3 III (8V1, 8VK) 04.12-										
S3 quattro (CJXB)		Gasolina	4WD	1984	206	280	02.13-07.14	*		
S3 quattro (CJXF)		Gasolina	4WD	1984	210	286	05.14-08.16	*		
S3 quattro (CJXD)		Gasolina	4WD	1984	213	290	07.16-12.17	*		
S3 quattro (DJHB)		Gasolina	4WD	1984	213	290	07.16-12.17	*		
S3 quattro (CJXC)		Gasolina	4WD	1984	221	300	11.12-08.16	*		
S3 quattro (CJXG)		Gasolina	4WD	1984	228	310	06.16-12.17	*		
S3 quattro (DJHA)		Gasolina	4WD	1984	228	310	06.16-12.17	*		
A3 III (8V7, 8VE) 10.13-						Cabrio (Compact executive car-D Segment)				
1.4 TSI (CZEA)		Gasolina	FWD	1395	110	150	05.14-10.20	*		
1.8 TFSI (CNSB)		Gasolina	FWD	1798	125	170	05.14-10.20	*		
S3 quattro (CJXF)		Gasolina	4WD	1984	210	286	03.14-07.16	*		
S3 quattro (DJHB)		Gasolina	4WD	1984	213	290	07.16-10.20	*		
S3 quattro (CJXC)		Gasolina	4WD	1984	221	300	04.14-10.20	*		
S3 quattro (DNUE)		Gasolina	4WD	1984	221	300	04.14-10.20	*		
S3 quattro (DJHA)		Gasolina	4WD	1984	228	310	07.16-10.20	*		
2.0 TDI (CRLC)		Diesel	FWD	1968	100	136	10.13-07.16	*		
2.0 TDI (CUNA)		Diesel	FWD	1968	135	184	05.14-07.16	*		
2.0 TDI quattro (CUNA)		Diesel	4WD	1968	135	184	05.14-10.20	*		
2.0 TDI quattro (DGCA)		Diesel	4WD	1968	135	184	05.14-10.20	*		
A3 III (8VS, 8VM) 05.13-						Sedán (Compact executive car-D Segment)				
1.2 TFSI (CYVB)		Gasolina	FWD	1197	81	110	05.14-08.16	*		
1.4 TSI (CZEA)		Gasolina	FWD	1395	110	150	05.14-10.20	*		

LISTA DE APLICACIONES - BUYERS GUIDE

S3 quattro (CJXB)		Gasolina	4WD	1984	206	280	10.13-05.14	*
S3 quattro (CJXF)		Gasolina	4WD	1984	210	286	05.14-08.16	*
S3 quattro (CJXD)		Gasolina	4WD	1984	213	290	08.16-10.20	*
S3 quattro (DJHB)		Gasolina	4WD	1984	213	290	08.16-10.20	*
S3 quattro (CYFB)		Gasolina	4WD	1984	215	292	05.14-10.20	*
S3 quattro (CJXC)		Gasolina	4WD	1984	221	300	10.13-10.20	*
S3 quattro (DNUE)		Gasolina	4WD	1984	221	300	10.13-10.20	*
S3 quattro (CJXG)		Gasolina	4WD	1984	228	310	06.16-10.20	*
S3 quattro (DJHA)		Gasolina	4WD	1984	228	310	06.16-10.20	*
1.6 TDI (CRKB)		Diesel	FWD	1598	81	110	05.14-10.20	*
1.6 TDI (CXXB)		Diesel	FWD	1598	81	110	05.14-10.20	*
1.6 TDI (DBKA)		Diesel	FWD	1598	81	110	05.14-10.20	*
A3 III Sportback (8VA, 8VF) 09.12-					[CAMBIADO]:Fastback (Compact executive car-D Segment)			
S3 quattro (CJXB)		Gasolina	4WD	1984	206	280	05.13-08.16	*
S3 quattro (CJXF)		Gasolina	4WD	1984	210	286	05.14-08.16	*
S3 quattro (CJXD)		Gasolina	4WD	1984	213	290	07.16-10.20	*
S3 quattro (DJHB)		Gasolina	4WD	1984	213	290	07.16-10.20	*
S3 quattro (CJXC)		Gasolina	4WD	1984	221	300	11.12-10.20	*
S3 quattro (DNUE)		Gasolina	4WD	1984	221	300	11.12-10.20	*
S3 quattro (CJXG)		Gasolina	4WD	1984	228	310	06.16-10.20	*
S3 quattro (DJHA)		Gasolina	4WD	1984	228	310	06.16-10.20	*
A3 IV (8YS, 8YM) 03.20-					Sedán (Compact executive car-D Segment)			
S3 TFSI quattro		Gasolina	4WD	1984	245	333	02.24-	*
A3 IV Sportback (8YA, 8YF) 11.19-					[CAMBIADO]:Fastback (Compact executive car-D Segment)			
S3 TFSI quattro		Gasolina	4WD	1984	245	333	02.24-	*
40 TFSIe		Gasol./el éc.	FWD	1498	150	204	06.24-	*
45 TFSIe		Gasol./el éc.	FWD	1498	200	272	11.24-	*
A3 Allstreet (8YJ) 02.24-					[CAMBIADO]:Fastback (Compact executive car-D Segment)			
40 TFSIe		Gasol./el éc.	FWD	1498	150	204	11.24-	*
Q2 (GAB, GAG) 06.16-					SUV (Compact SUV-J Segment)			
SQ2 TFSI quattro (DNUE)		Gasolina	4WD	1984	221	300	08.18-	*
Q3 II (F3B) 07.18-					SUV (Compact Crossover CUV-C Segment)			
35 TFSI (DADA)		Gasolina	FWD	1498	110	150	08.18-	*
35 TFSI (DPCA)		Gasolina	FWD	1498	110	150	08.18-	*
40 TFSI quattro (DKTC)		Gasolina	4WD	1984	140	190	07.18-06.21	*
45 TFSI		Gasolina	FWD	1984	169	230	07.18-	*
45 TFSI quattro (DKTA)		Gasolina	4WD	1984	169	230	07.18-	*
45 TFSI quattro		Gasolina	4WD	1984	180	245	01.21-	*
35 TFSI Mild Hybrid (DFYA)		Gasol./el éc.	FWD	1498	110	150	11.19-	*
35 TDI (DFGA)		Diesel	FWD	1968	110	150	09.18-	*
35 TDI quattro (DFGA)		Diesel	4WD	1968	110	150	09.18-	*
40 TDI		Diesel	FWD	1968	140	190	09.18-	*
40 TDI quattro (DFHA)		Diesel	4WD	1968	140	190	10.18-	*
40 TDI quattro		Diesel	4WD	1968	142	193	04.24-	*
Q3 II Sportback (F3N) 06.19-					SUV (Compact Crossover CUV-C Segment)			
35 TFSI (DPCA)		Gasolina	FWD	1498	110	150	09.19-	*

LISTA DE APLICACIONES - BUYERS GUIDE

40 TFSI quattro (DKTC)		Gasolina	4WD	1984	140	190	11.19-06.21	*
45 TFSI quattro (DKTA)		Gasolina	4WD	1984	169	230	06.19-	*
45 TFSI quattro		Gasolina	4WD	1984	180	245	01.21-	*
35 TFSI Mild Hybrid (DFYA)		Gasol./el éc.	FWD	1498	110	150	11.19-	*
35 TDI (DFGA)		Diesel	FWD	1968	110	150	11.19-	*
35 TDI quattro (DFGA)		Diesel	4WD	1968	110	150	09.19-	*
40 TDI quattro (DFHA)		Diesel	4WD	1968	140	190	07.19-	*
40 TDI quattro		Diesel	4WD	1968	142	193	04.24-	*
AUDI (FAW)								
Q3 (G2B, G2G) 04.19-					SUV (Compact Crossover CUV-C Segment)			
35 TFSI		Gasolina	FWD	1395	110	150	04.19-	*
40 TFSI		Gasolina	FWD	1984	137	186	04.19-	*
40 TFSI quattro		Gasolina	4WD	1984	137	186	04.19-	*
45 TFSI quattro		Gasolina	4WD	1984	162	220	04.19-	*
CUPRA								
ATECA (KH7, KHP, KBP) 09.18-					SUV (Compact SUV-J Segment)			
1.5 TSI		Gasolina	FWD	1498	110	150	07.23-	*
2.0 TSI 4Drive		Gasolina	4WD	1984	140	190	06.23-	*
2.0 TSI 4Drive (DNUE)		Gasolina	4WD	1984	221	300	09.18-	*
2.0 TSI 4Drive		Gasolina	4WD	1984	221	300	07.20-	*
2.0 TSI 4Drive		Gasolina	4WD	1984	257	349	05.20-	*
FORMENTOR (KM7, KMP) 07.20-					SUV (Compact SUV-J Segment)			
2.0 TSI		Gasolina	FWD	1984	180	245	03.21-	*
2.0 VZ		Gasolina	FWD	1984	195	265	11.24-	*
2.0 TSI 4Drive (DNFB)		Gasolina	4WD	1984	228	310	07.20-	*
1.4 e-HYBRID		Gasol./el éc.	FWD	1395	150	204	01.21-	*
1.4 e-Hybrid VZ		Gasol./el éc.	FWD	1395	180	245	02.21-	*
1.5 e-HYBRID		Gasol./el éc.	FWD	1498	150	204	07.24-	*
1.5 e-HYBRID VZ		Gasol./el éc.	FWD	1498	200	272	06.24-	*
LEON (KL1, KU1, KUG) 09.20-					[CAMBIADO]:Fastback (Compact car-C Segment)			
1.5 VZ e-HYBRID		Gasol./el éc.	FWD	1498	200	272	05.24-	*
LEON Sportstourer (KL8, KU8, KUD) 09.20-					[CAMBIADO]:Break (Compact car-C Segment)			
VZ e-HYBRID		Gasol./el éc.	FWD	1498	200	272	05.24-	*
HYUNDAI								
i30 III Combi Van (PDE) 03.17-					[CAMBIADO]:Furgón/Break (Compact car-C Segment)			
1.6 CRDi VGT (D4FB)		Diesel	FWD	1582	81	110	03.17-	*
MERCEDES-BENZ (BBDC)								
C-Class (W204) 01.08-					Sedán (Compact executive car-D Segment)			
C 200 CGI (204.048)		Gasolina	RWD	1796	135	184	07.10-12.12	*
SEAT								
ALHAMBRA II (711) 06.10-					Furgoneta/MPV (Large MPV-M1 Segment)			
TSi		Gasolina	FWD	1395	110	150	05.15-12.22	*
TDI		Diesel	FWD	1968	85	116	10.14-09.18	*

LISTA DE APLICACIONES - BUYERS GUIDE

TDI		Diesel	FWD	1968	110	150	05.15-12.22	*
TDI 4Drive		Diesel	4WD	1968	110	150	05.15-12.22	*
TDI		Diesel	FWD	1968	135	184	05.15-08.18	*
ALHAMBRA II (710, 711) 06.10-					MPV (Large MPV-M1 Segment)			
1.4 TSI (CAVA)		Gasolina	FWD	1390	110	150	06.10-04.15	*
1.4 TSI (CNWB)		Gasolina	FWD	1390	110	150	06.10-04.15	*
1.4 TSI (CTHA)		Gasolina	FWD	1390	110	150	06.10-04.15	*
1.4 TSI (CZDA)		Gasolina	FWD	1395	110	150	05.15-12.22	*
1.4 TSI (DJKA)		Gasolina	FWD	1395	110	150	05.15-12.22	*
1.8 TSI (CDAA)		Gasolina	FWD	1798	118	160	11.12-04.15	*
2.0 TSI (CCZA)		Gasolina	FWD	1984	147	200	11.10-05.12	*
2.0 TSI (DEDA)		Gasolina	FWD	1984	162	220	05.15-12.22	*
2.0 TDI (CFFE)		Diesel	FWD	1968	85	115	05.11-12.22	*
2.0 TDI (CUVA)		Diesel	FWD	1968	85	115	05.11-12.22	*
2.0 TDI (DFLD)		Diesel	FWD	1968	85	115	05.11-12.22	*
2.0 TDI (DLTC)		Diesel	FWD	1968	85	115	05.11-12.22	*
2.0 TDI (CFFA)		Diesel	FWD	1968	100	136	06.10-05.11	*
2.0 TDI (CFFB)		Diesel	FWD	1968	103	140	06.10-04.15	*
2.0 TDI 4Drive (CFFB)		Diesel	4WD	1968	103	140	05.11-04.15	*
2.0 TDI (CUVC)		Diesel	FWD	1968	110	150	05.15-12.22	*
2.0 TDI (DFLA)		Diesel	FWD	1968	110	150	05.15-12.22	*
2.0 TDI (DLTA)		Diesel	FWD	1968	110	150	05.15-12.22	*
2.0 TDI 4Drive (CUVC)		Diesel	4WD	1968	110	150	05.15-12.22	*
2.0 TDI 4Drive (DFLA)		Diesel	4WD	1968	110	150	05.15-12.22	*
2.0 TDI (CFGB)		Diesel	FWD	1968	125	170	06.10-02.13	*
2.0 TDI (CFGC)		Diesel	FWD	1968	130	177	11.12-12.22	*
2.0 TDI (DLUB)		Diesel	FWD	1968	130	177	11.12-12.22	*
2.0 TDI 4Drive (DLUB)		Diesel	4WD	1968	130	177	11.18-12.22	*
2.0 TDI (CUWA)		Diesel	FWD	1968	135	184	05.15-08.18	*
2.0 TDI (DFMA)		Diesel	FWD	1968	135	184	05.15-08.18	*
2.0 TDI 4Drive (DFMA)		Diesel	4WD	1968	135	184	05.16-08.18	*
LEON III (5F1) 09.12-					[CAMBIADO]:Fastback (Compact car-C Segment)			
1.0 TSI (CHZD)		Gasolina	FWD	999	85	115	05.15-08.20	*
1.0 TSI (DKRF)		Gasolina	FWD	999	85	115	05.15-08.20	*
1.2 TSI (CJZB)		Gasolina	FWD	1197	63	86	12.12-08.18	*
1.2 TSI (CYVA)		Gasolina	FWD	1197	63	86	12.12-08.18	*
1.2 TSI (CJZA)		Gasolina	FWD	1197	77	105	01.13-08.20	*
1.2 TSI (CYVB)		Gasolina	FWD	1197	81	110	04.14-08.20	*
1.4 TSI (CMBA)		Gasolina	FWD	1395	90	122	11.12-10.16	*
1.4 TSI (CXSA)		Gasolina	FWD	1395	90	122	11.12-10.16	*
1.4 TSI (CZCA)		Gasolina	FWD	1395	92	125	05.14-08.20	*
1.4 TSI (CHPA)		Gasolina	FWD	1395	103	140	09.12-08.20	*
1.4 TSI (CPTA)		Gasolina	FWD	1395	103	140	09.12-08.20	*
1.4 TSI (CZDA)		Gasolina	FWD	1395	110	150	05.14-08.20	*
1.4 TSI (CZEA)		Gasolina	FWD	1395	110	150	05.14-08.20	*
1.8 TSI (CJSA)		Gasolina	FWD	1798	132	180	02.13-08.18	*
2.0 Cupra (CJXE)		Gasolina	FWD	1984	195	265	10.13-08.20	*
2.0 Cupra (CJXA)		Gasolina	FWD	1984	206	280	10.13-08.20	*
2.0 Cupra (CJXH)		Gasolina	FWD	1984	213	290	10.15-08.20	*
2.0 Cupra (DNUC)		Gasolina	FWD	1984	213	290	10.15-08.20	*

LISTA DE APLICACIONES - BUYERS GUIDE

2.0 Cupra (CJXC)		Gasolina	FWD	1984	221	300	01.17-08.18	*	
1.4 TGI (CPWA)		Gasol./Gas (CNG)	FWD	1395	81	110	02.13-08.18	*	
1.6 TDI (CLHB)		Diesel	FWD	1598	66	90	11.12-08.18	*	
1.6 TDI (CXXA)		Diesel	FWD	1598	66	90	11.12-08.18	*	
1.6 TDI (DDYB)		Diesel	FWD	1598	66	90	11.12-08.18	*	
1.6 TDI (CLHA)		Diesel	FWD	1598	77	105	09.12-08.20	*	
1.6 TDI (CRKB)		Diesel	FWD	1598	81	110	09.13-08.20	*	
1.6 TDI (CXXB)		Diesel	FWD	1598	81	110	09.13-08.20	*	
1.6 TDI (DBKA)		Diesel	FWD	1598	81	110	09.13-08.20	*	
2.0 TDI (CRLD)		Diesel	FWD	1968	81	110	05.13-08.20	*	
2.0 TDI (CRVA)		Diesel	FWD	1968	81	110	05.13-08.20	*	
2.0 TDI (CRVC)		Diesel	FWD	1968	105	143	05.13-08.20	*	
2.0 TDI (CKFC)		Diesel	FWD	1968	110	150	10.12-08.20	*	
2.0 TDI (CRMB)		Diesel	FWD	1968	110	150	10.12-08.20	*	
2.0 TDI (DFFA)		Diesel	FWD	1968	110	150	10.12-08.20	*	
2.0 TDI (CUNA)		Diesel	FWD	1968	135	184	09.12-08.20	*	
2.0 TDI (CUPA)		Diesel	FWD	1968	135	184	09.12-08.20	*	
2.0 TDI (DJGA)		Diesel	FWD	1968	135	184	09.12-08.20	*	
LEON III (5F1) 09.12-							Furgón/hatchback (Compact car-C Segment)		
2.0 Cupra (CJXH)		Gasolina	FWD	1984	213	290	09.15-10.16	*	
2.0 Cupra (CJXC)		Gasolina	FWD	1984	221	300	01.17-08.18	*	
LEON III SC (5F5) 01.13-							Coupé (Compact car-C Segment)		
1.0 TSI (CHZD)		Gasolina	FWD	999	85	115	05.15-08.18	*	
1.2 TSI (CJZB)		Gasolina	FWD	1197	63	86	01.13-08.18	*	
1.2 TSI (CYVA)		Gasolina	FWD	1197	63	86	01.13-08.18	*	
1.2 TSI (CJZA)		Gasolina	FWD	1197	77	105	02.13-04.14	*	
1.2 TSI (CYVB)		Gasolina	FWD	1197	81	110	05.14-08.18	*	
1.4 TSI (CMBA)		Gasolina	FWD	1395	90	122	02.13-06.15	*	
1.4 TSI (CXSA)		Gasolina	FWD	1395	90	122	02.13-06.15	*	
1.4 TSI (CZCA)		Gasolina	FWD	1395	92	125	05.14-08.18	*	
1.4 TSI (CHPA)		Gasolina	FWD	1395	103	140	02.13-11.16	*	
1.4 TSI (CPTA)		Gasolina	FWD	1395	103	140	02.13-11.16	*	
1.4 TSI (CZEA)		Gasolina	FWD	1395	110	150	05.14-08.18	*	
1.8 TSI (CJSA)		Gasolina	FWD	1798	132	180	02.13-08.18	*	
2.0 Cupra (CJXE)		Gasolina	FWD	1984	195	265	10.13-11.16	*	
2.0 Cupra (CJXA)		Gasolina	FWD	1984	206	280	10.13-11.16	*	
2.0 Cupra (CJXH)		Gasolina	FWD	1984	213	290	10.15-11.16	*	
2.0 Cupra (CJXC)		Gasolina	FWD	1984	221	300	01.17-08.18	*	
1.6 TDI (CLHB)		Diesel	FWD	1598	66	90	02.13-08.18	*	
1.6 TDI (CXXA)		Diesel	FWD	1598	66	90	02.13-08.18	*	
1.6 TDI (DDYB)		Diesel	FWD	1598	66	90	02.13-08.18	*	
1.6 TDI (CLHA)		Diesel	FWD	1598	77	105	02.13-08.18	*	
1.6 TDI (CRKB)		Diesel	FWD	1598	81	110	09.13-11.16	*	
1.6 TDI (CXXB)		Diesel	FWD	1598	81	110	09.13-11.16	*	
2.0 TDI		Diesel	FWD	1968	81	110	02.13-	*	
2.0 TDI (CRVC)		Diesel	FWD	1968	105	143	05.13-08.18	*	
2.0 TDI (CKFC)		Diesel	FWD	1968	110	150	02.13-08.18	*	
2.0 TDI (CRMB)		Diesel	FWD	1968	110	150	02.13-08.18	*	
2.0 TDI (CUNA)		Diesel	FWD	1968	135	184	03.13-08.18	*	

LISTA DE APLICACIONES - BUYERS GUIDE

2.0 TDI (CUPA)	Diesel	FWD	1968	135	184	03.13-08.18	*
LEON III ST (5F8) 09.12-				[CAMBIADO]:Break (Compact car-C Segment)			
1.0 TSI (CHZD)	Gasolina	FWD	999	85	115	05.15-08.20	*
1.0 TSI (DKRF)	Gasolina	FWD	999	85	115	05.15-08.20	*
1.2 TSI (CJZB)	Gasolina	FWD	1197	63	86	11.13-08.18	*
1.2 TSI (CYVA)	Gasolina	FWD	1197	63	86	11.13-08.18	*
1.2 TSI (CJZA)	Gasolina	FWD	1197	77	105	08.13-08.20	*
1.2 TSI (CYVB)	Gasolina	FWD	1197	81	110	05.14-08.20	*
1.4 TSI (CMBA)	Gasolina	FWD	1395	90	122	09.12-06.15	*
1.4 TSI (CXSA)	Gasolina	FWD	1395	90	122	09.12-06.15	*
1.4 TSI (CZCA)	Gasolina	FWD	1395	92	125	05.14-08.18	*
1.4 TSI (CHPA)	Gasolina	FWD	1395	103	140	10.13-08.20	*
1.4 TSI (CPTA)	Gasolina	FWD	1395	103	140	10.13-08.20	*
1.4 TSI (CZEA)	Gasolina	FWD	1395	110	150	05.14-08.20	*
1.8 TSI (CJSA)	Gasolina	FWD	1798	132	180	10.13-08.18	*
1.8 TSI 4Drive (CJSA)	Gasolina	4WD	1798	132	180	11.14-08.18	*
1.8 TSI 4Drive (CJSB)	Gasolina	4WD	1798	132	180	11.14-08.18	*
2.0 Cupra (CJXE)	Gasolina	FWD	1984	195	265	10.13-08.20	*
2.0 Cupra (CJXA)	Gasolina	FWD	1984	206	280	10.13-08.20	*
2.0 Cupra (CJXH)	Gasolina	FWD	1984	213	290	10.15-08.20	*
2.0 Cupra (DNUC)	Gasolina	FWD	1984	213	290	10.15-08.20	*
2.0 Cupra (CJXC)	Gasolina	FWD	1984	221	300	11.16-08.18	*
2.0 Cupra 4Drive (CJXC)	Gasolina	4WD	1984	221	300	11.16-08.20	*
2.0 Cupra 4Drive (DNUE)	Gasolina	4WD	1984	221	300	11.16-08.20	*
1.4 TGI (CPWA)	Gasol./Gas (CNG)	FWD	1395	81	110	10.13-08.18	*
1.6 TDI (CLHB)	Diesel	FWD	1598	66	90	11.13-08.18	*
1.6 TDI (CXXA)	Diesel	FWD	1598	66	90	11.13-08.18	*
1.6 TDI (DDYB)	Diesel	FWD	1598	66	90	11.13-08.18	*
1.6 TDI (CLHA)	Diesel	FWD	1598	77	105	10.13-08.20	*
1.6 TDI 4Drive (CLHA)	Diesel	4WD	1598	77	105	04.14-08.20	*
1.6 TDI (CRKB)	Diesel	FWD	1598	81	110	09.13-08.20	*
1.6 TDI (CXXB)	Diesel	FWD	1598	81	110	09.13-08.20	*
1.6 TDI (DBKA)	Diesel	FWD	1598	81	110	09.13-08.20	*
1.6 TDI 4Drive (CXXB)	Diesel	4WD	1598	81	110	11.14-08.20	*
2.0 TDI (CRVA)	Diesel	FWD	1968	81	110	02.13-12.16	*
2.0 TDI (CRVC)	Diesel	FWD	1968	105	143	10.13-08.18	*
2.0 TDI (CKFC)	Diesel	FWD	1968	110	150	10.13-08.20	*
2.0 TDI (CRBC)	Diesel	FWD	1968	110	150	10.13-08.20	*
2.0 TDI (CRLB)	Diesel	FWD	1968	110	150	10.13-08.20	*
2.0 TDI (CRMB)	Diesel	FWD	1968	110	150	10.13-08.20	*
2.0 TDI (DFFA)	Diesel	FWD	1968	110	150	10.13-08.20	*
2.0 TDI (DFGA)	Diesel	FWD	1968	110	150	10.13-08.20	*
2.0 TDI 4Drive (CRBC)	Diesel	4WD	1968	110	150	04.14-08.20	*
2.0 TDI 4Drive (CRLB)	Diesel	4WD	1968	110	150	04.14-08.20	*
2.0 TDI 4Drive (CRMB)	Diesel	4WD	1968	110	150	04.14-08.20	*
2.0 TDI 4Drive (DCYA)	Diesel	4WD	1968	110	150	04.14-08.20	*
2.0 TDI 4Drive (DFGA)	Diesel	4WD	1968	110	150	04.14-08.20	*
2.0 TDI (CUNA)	Diesel	FWD	1968	135	184	08.13-08.20	*
2.0 TDI (CUPA)	Diesel	FWD	1968	135	184	08.13-08.20	*
2.0 TDI (DJGA)	Diesel	FWD	1968	135	184	08.13-08.20	*

LISTA DE APLICACIONES - BUYERS GUIDE

2.0 TDI 4Drive (CUNA)		Diesel	4WD	1968	135	184	11.14-08.18	*	
2.0 TDI 4Drive (DJGA)		Diesel	4WD	1968	135	184	11.14-08.18	*	
LEON III ST (5F8) 01.13-					[CAMBIADO]:Furgón/Break (Compact car-C Segment)				
2.0 Cupra (CJXA)		Gasolina	FWD	1984	206	280	10.13-08.20	*	
2.0 Cupra (CJXC)		Gasolina	FWD	1984	221	300	11.16-08.18	*	
2.0 Cupra 4Drive (CJXC)		Gasolina	4WD	1984	221	300	11.16-08.18	*	
TARRACO (KN2) 09.18-					SUV (Compact Crossover CUV-C Segment)				
1.5 TSI ACT (DADA)		Gasolina	FWD	1498	110	150	09.18-05.24	*	
1.5 TSI ACT (DPCA)		Gasolina	FWD	1498	110	150	09.18-05.24	*	
2.0 TSI 4Drive (DKZA)		Gasolina	4WD	1984	140	190	09.18-05.24	*	
2.0 TDI (DFGA)		Diesel	FWD	1968	110	150	09.18-05.24	*	
2.0 TDI 4Drive (DFGA)		Diesel	4WD	1968	110	150	09.18-05.24	*	
2.0 TDI 4Drive (DFHA)		Diesel	4WD	1968	140	190	09.18-05.24	*	
SKODA									
(NS6, NS7, NV7) 10.16-					Furgoneta/SUV ()				
1.5 TSI		Gasolina	FWD	1498	110	150	07.18-	*	
2.0 TSI 4x4		Gasolina	4WD	1984	140	190	12.18-	*	
2.0 TDI		Diesel	FWD	1968	110	150	03.17-	*	
2.0 TDI 4x4		Diesel	4WD	1968	110	150	03.17-	*	
2.0 TDI 4x4		Diesel	4WD	1968	140	190	10.16-	*	
2.0 TDI 4x4		Diesel	4WD	1968	147	200	06.20-	*	
2.0 Bi- TDi RS 4x4		Diesel	4WD	1968	176	239	07.18-	*	
KODIAQ (NS6, NS7, NV7) 10.16-					SUV (Large SUV-J Segment)				
1.4 TSI (CZCA)		Gasolina	FWD	1395	92	125	10.16-	*	
1.4 TSI (CZDA)		Gasolina	FWD	1395	110	150	10.16-	*	
1.4 TSI (CZEA)		Gasolina	FWD	1395	110	150	10.16-	*	
1.4 TSI 4x4 (CZDA)		Gasolina	4WD	1395	110	150	10.16-	*	
1.4 TSI 4x4 (CZEA)		Gasolina	4WD	1395	110	150	10.16-	*	
1.5 TSI (DADA)		Gasolina	FWD	1498	110	150	07.18-	*	
1.5 TSI (DPCA)		Gasolina	FWD	1498	110	150	07.18-	*	
1.5 TSI 4x4 (DADA)		Gasolina	4WD	1498	110	150	07.18-	*	
1.5 TSI 4x4 (DPCA)		Gasolina	4WD	1498	110	150	07.18-	*	
2.0 TSI 4x4 (CZPA)		Gasolina	4WD	1984	132	180	10.16-	*	
2.0 TSI 4x4 (DKZA)		Gasolina	4WD	1984	140	190	02.19-	*	
2.0 RS 4x4		Gasolina	4WD	1984	180	245	06.21-	*	
2.0 TDI (DFGC)		Diesel	FWD	1968	85	115	02.19-	*	
2.0 TDI		Diesel	FWD	1968	85	116	07.18-	*	
2.0 TDI (DBGA)		Diesel	FWD	1968	110	150	10.16-	*	
2.0 TDI (DBGC)		Diesel	FWD	1968	110	150	10.16-	*	
2.0 TDI (DFGA)		Diesel	FWD	1968	110	150	10.16-	*	
2.0 TDI (DTSB)		Diesel	FWD	1968	110	150	10.16-	*	
2.0 TDI 4x4 (DBGA)		Diesel	4WD	1968	110	150	10.16-	*	
2.0 TDI 4x4 (DBGC)		Diesel	4WD	1968	110	150	10.16-	*	
2.0 TDI 4x4 (DFGA)		Diesel	4WD	1968	110	150	10.16-	*	
2.0 TDI 4x4 (DTSB)		Diesel	4WD	1968	110	150	10.16-	*	
2.0 TDI 4x4 (DFHA)		Diesel	4WD	1968	140	190	10.16-	*	
2.0 RS Bi-TDI 4x4 (CUAA)		Diesel	4WD	1968	176	239	11.18-	*	
OCTAVIA IV (NX3, NN3, PV3) 01.20-					[CAMBIADO]:Fastback (Compact car-C Segment)				
1.5 TSI (DPCA)		Gasolina	FWD	1498	110	150	01.20-	*	

LISTA DE APLICACIONES - BUYERS GUIDE

2.0 RS		Gasolina	FWD	1984	195	265	08.24-	*
1.4 TSI iV		Gasol./el éc.	FWD	1395	150	204	06.20-	*
1.4 TSI RS iV		Gasol./el éc.	FWD	1395	180	245	06.20-	*
2.0 TDI (DSUD)		Diesel	FWD	1968	85	116	03.20-	*
2.0 TDI (DSTB)		Diesel	FWD	1968	110	150	01.20-	*
OCTAVIA IV Combi (NX5, PV5) 11.19-					[CAMBIADO]:Break (Compact car-C Segment)			
1.5 TSI (DPCA)		Gasolina	FWD	1498	110	150	11.19-	*
2.0 RS		Gasolina	FWD	1984	195	265	08.24-	*
1.4 TSI iV		Gasol./el éc.	FWD	1395	150	204	06.20-	*
2.0 TDI (DSUD)		Diesel	FWD	1968	85	116	11.19-	*
2.0 TDI (DSTB)		Diesel	FWD	1968	110	150	11.19-	*
OCTAVIA III (5E3, NL3, NR3) 11.12-					[CAMBIADO]:Fastback (Compact car-C Segment)			
1.0 TSI (CHZD)		Gasolina	FWD	999	85	115	05.16-10.20	*
1.0 TSI (DKRA)		Gasolina	FWD	999	85	115	05.16-10.20	*
1.0 TSI (DKRF)		Gasolina	FWD	999	85	115	05.16-10.20	*
1.2 TSI (CJZB)		Gasolina	FWD	1197	63	86	11.12-02.17	*
1.2 TSI (CYVA)		Gasolina	FWD	1197	63	86	11.12-02.17	*
1.2 TSI (CJZA)		Gasolina	FWD	1197	77	105	11.12-02.17	*
1.2 TSI (CYVB)		Gasolina	FWD	1197	81	110	05.15-02.17	*
1.4 TSI (CHPA)		Gasolina	FWD	1395	103	140	11.12-02.17	*
1.4 TSI (CHPB)		Gasolina	FWD	1395	110	150	08.14-10.20	*
1.4 TSI (CZDA)		Gasolina	FWD	1395	110	150	08.14-10.20	*
1.6 (CWVA)		Gasolina	FWD	1598	81	110	01.14-10.20	*
1.8 TSI (CJSA)		Gasolina	FWD	1798	132	180	11.12-10.20	*
1.8 TSI 4x4 (CJSB)		Gasolina	4WD	1798	132	180	05.14-10.20	*
2.0 TSI RS (CHHB)		Gasolina	FWD	1984	162	220	05.13-02.17	*
2.0 TSI RS (CHHA)		Gasolina	FWD	1984	169	230	05.15-10.20	*
2.0 TSI RS (DHGA)		Gasolina	FWD	1984	180	245	02.17-10.20	*
2.0 TSI RS (DKTB)		Gasolina	FWD	1984	180	245	02.17-10.20	*
2.0 TSI RS (DLBA)		Gasolina	FWD	1984	180	245	02.17-10.20	*
1.4 TSI G-TEC (CPWA)		Gasol./G as (CNG)	FWD	1395	81	110	11.13-02.17	*
1.6 TDI (CLHB)		Diesel	FWD	1598	66	90	11.12-10.20	*
1.6 TDI (CRKA)		Diesel	FWD	1598	66	90	11.12-10.20	*
1.6 TDI (CXXA)		Diesel	FWD	1598	66	90	11.12-10.20	*
1.6 TDI (DDYB)		Diesel	FWD	1598	66	90	11.12-10.20	*
1.6 TDI (CLHA)		Diesel	FWD	1598	77	105	11.12-05.15	*
1.6 TDI 4x4 (CLHA)		Diesel	4WD	1598	77	105	05.13-05.15	*
1.6 TDI (CRKB)		Diesel	FWD	1598	81	110	05.13-02.17	*
1.6 TDI (CXXB)		Diesel	FWD	1598	81	110	05.13-02.17	*
1.6 TDI (DBKA)		Diesel	FWD	1598	81	110	05.13-02.17	*
2.0 TDI (CKFB)		Diesel	FWD	1968	105	143	11.12-02.17	*
2.0 TDI (CRVC)		Diesel	FWD	1968	105	143	11.12-02.17	*
2.0 TDI (CKFC)		Diesel	FWD	1968	110	150	11.12-10.20	*
2.0 TDI (CRMB)		Diesel	FWD	1968	110	150	11.12-10.20	*
2.0 TDI (CYKA)		Diesel	FWD	1968	110	150	11.12-10.20	*
2.0 TDI (DCYA)		Diesel	FWD	1968	110	150	11.12-10.20	*
2.0 TDI (DFFA)		Diesel	FWD	1968	110	150	11.12-10.20	*
2.0 TDI 4x4 (CKFC)		Diesel	4WD	1968	110	150	05.13-10.20	*

LISTA DE APLICACIONES - BUYERS GUIDE

2.0 TDI 4x4 (CRMB)		Diesel	4WD	1968	110	150	05.13-10.20	*
2.0 TDI 4x4 (DCYA)		Diesel	4WD	1968	110	150	05.13-10.20	*
2.0 TDI 4x4 (DFFA)		Diesel	4WD	1968	110	150	05.13-10.20	*
2.0 TDI / TDI RS 4x4 (CUNA)		Diesel	4WD	1968	135	184	05.13-10.20	*
2.0 TDI / TDI RS 4x4 (CUPA)		Diesel	4WD	1968	135	184	05.13-10.20	*
2.0 TDI / TDI RS 4x4 (DJGA)		Diesel	4WD	1968	135	184	05.13-10.20	*
2.0 TDI RS (CUNA)		Diesel	FWD	1968	135	184	05.13-10.20	*
2.0 TDI RS (CUPA)		Diesel	FWD	1968	135	184	05.13-10.20	*
2.0 TDI RS (DJGA)		Diesel	FWD	1968	135	184	05.13-10.20	*
OCTAVIA III Combi (5E5, 5E6) 11.12-					[CAMBIADO]:Break (Compact car-C Segment)			
1.0 TSI (CHZD)		Gasolina	FWD	999	85	115	05.16-10.20	*
1.0 TSI (DKRA)		Gasolina	FWD	999	85	115	05.16-10.20	*
1.0 TSI (DKRF)		Gasolina	FWD	999	85	115	05.16-10.20	*
1.2 TSI (CJZB)		Gasolina	FWD	1197	63	86	11.12-02.17	*
1.2 TSI (CYVA)		Gasolina	FWD	1197	63	86	11.12-02.17	*
1.2 TSI (CJZA)		Gasolina	FWD	1197	77	105	11.12-02.17	*
1.2 TSI (CYVB)		Gasolina	FWD	1197	81	110	05.15-02.17	*
1.4 TSI (CHPA)		Gasolina	FWD	1395	103	140	11.12-02.17	*
1.4 TSI (CHPB)		Gasolina	FWD	1395	110	150	08.14-10.20	*
1.4 TSI (CZDA)		Gasolina	FWD	1395	110	150	08.14-10.20	*
1.6 SRE (CWVA)		Gasolina	FWD	1598	81	110	01.14-02.17	*
1.8 TSI (CJSA)		Gasolina	FWD	1798	132	180	11.12-10.20	*
1.8 TSI (CJSB)		Gasolina	FWD	1798	132	180	11.12-10.20	*
1.8 TSI 4x4 (CJSB)		Gasolina	4WD	1798	132	180	11.12-02.17	*
2.0 TSI RS (CHHB)		Gasolina	FWD	1984	162	220	11.12-02.17	*
2.0 TSI RS (CHHA)		Gasolina	FWD	1984	169	230	05.15-10.20	*
2.0 TSI RS (DHGA)		Gasolina	FWD	1984	180	245	02.17-10.20	*
2.0 TSI RS (DKTB)		Gasolina	FWD	1984	180	245	02.17-10.20	*
2.0 TSI RS (DLBA)		Gasolina	FWD	1984	180	245	02.17-10.20	*
1.4 TSI G-TEC (CPWA)		Gasol./Gas (CNG)	FWD	1395	81	110	11.12-02.17	*
1.6 TDI (CLHB)		Diesel	FWD	1598	66	90	11.12-10.20	*
1.6 TDI (CRKA)		Diesel	FWD	1598	66	90	11.12-10.20	*
1.6 TDI (CXXA)		Diesel	FWD	1598	66	90	11.12-10.20	*
1.6 TDI (DDYB)		Diesel	FWD	1598	66	90	11.12-10.20	*
1.6 TDI (CLHA)		Diesel	FWD	1598	77	105	11.12-05.15	*
1.6 TDI 4x4 (CLHA)		Diesel	4WD	1598	77	105	11.12-05.15	*
1.6 TDI (CRKB)		Diesel	FWD	1598	81	110	05.13-02.17	*
1.6 TDI (CXXB)		Diesel	FWD	1598	81	110	05.13-02.17	*
1.6 TDI (DBKA)		Diesel	FWD	1598	81	110	05.13-02.17	*
2.0 TDI (CKFB)		Diesel	FWD	1968	105	143	11.12-02.17	*
2.0 TDI (CRVC)		Diesel	FWD	1968	105	143	11.12-02.17	*
2.0 TDI (CKFC)		Diesel	FWD	1968	110	150	11.12-10.20	*
2.0 TDI (CRMB)		Diesel	FWD	1968	110	150	11.12-10.20	*
2.0 TDI (CYKA)		Diesel	FWD	1968	110	150	11.12-10.20	*
2.0 TDI (DCYA)		Diesel	FWD	1968	110	150	11.12-10.20	*
2.0 TDI (DFFA)		Diesel	FWD	1968	110	150	11.12-10.20	*
2.0 TDI 4x4 (CKFC)		Diesel	4WD	1968	110	150	11.12-10.20	*
2.0 TDI 4x4 (CRMB)		Diesel	4WD	1968	110	150	11.12-10.20	*
2.0 TDI 4x4 (DCYA)		Diesel	4WD	1968	110	150	11.12-10.20	*
2.0 TDI 4x4 (DFFA)		Diesel	4WD	1968	110	150	11.12-10.20	*

LISTA DE APLICACIONES - BUYERS GUIDE

2.0 TDI / TDI RS 4x4 (CUNA)		Diesel	4WD	1968	135	184	05.13-10.20	*
2.0 TDI / TDI RS 4x4 (CUPA)		Diesel	4WD	1968	135	184	05.13-10.20	*
2.0 TDI / TDI RS 4x4 (DJGA)		Diesel	4WD	1968	135	184	05.13-10.20	*
2.0 TDI RS (CUNA)		Diesel	FWD	1968	135	184	05.13-10.20	*
2.0 TDI RS (CUPA)		Diesel	FWD	1968	135	184	05.13-10.20	*
2.0 TDI RS (DJGA)		Diesel	FWD	1968	135	184	05.13-10.20	*
SUPERB II (3T5) 10.09-05.15					[CAMBIADO]:Break (Executive car-E Segment)			
3.6 V6 4x4 (CDVA)		Gasolina	4WD	3597	191	260	10.09-05.15	*
SUPERB II (3T4) 03.08-05.15					[CAMBIADO]:Fastback (Executive car-E Segment)			
3.6 FSI 4x4 (CDVA)		Gasolina	4WD	3597	191	260	11.08-05.15	*
SUPERB III (3V5) 03.15-					[CAMBIADO]:Break (Executive car-E Segment)			
1.4 TSI (CZCA)		Gasolina	FWD	1395	92	125	03.15-06.24	*
1.4 TSI (CZDA)		Gasolina	FWD	1395	110	150	03.15-06.24	*
1.4 TSI (CZEA)		Gasolina	FWD	1395	110	150	03.15-06.24	*
1.4 TSI 4x4 (CZEA)		Gasolina	4WD	1395	110	150	03.15-06.24	*
1.8 TSI (CJSA)		Gasolina	FWD	1798	132	180	03.15-06.24	*
1.8 TSI (CJSC)		Gasolina	FWD	1798	132	180	03.15-06.24	*
2.0 TSI (CHHB)		Gasolina	FWD	1984	162	220	03.15-06.24	*
2.0 TSI 4x4 (DNUA)		Gasolina	4WD	1984	200	272	03.15-06.24	*
2.0 TSI 4x4 (CJXA)		Gasolina	4WD	1984	206	280	03.15-06.24	*
2.0 TSI 4x4 (DNFE)		Gasolina	4WD	1984	206	280	03.15-06.24	*
1.6 TDI (DCXA)		Diesel	FWD	1598	88	120	03.15-06.24	*
1.6 TDI (DCZA)		Diesel	FWD	1598	88	120	03.15-06.24	*
2.0 TDI (CRLB)		Diesel	FWD	1968	110	150	03.15-06.24	*
2.0 TDI (DFEA)		Diesel	FWD	1968	110	150	03.15-06.24	*
2.0 TDI (DFGA)		Diesel	FWD	1968	110	150	03.15-06.24	*
2.0 TDI (DSRA)		Diesel	FWD	1968	110	150	03.15-06.24	*
2.0 TDI (DSRB)		Diesel	FWD	1968	110	150	03.15-06.24	*
2.0 TDI 4x4 (CRLB)		Diesel	4WD	1968	110	150	03.15-06.24	*
2.0 TDI 4x4 (DFEA)		Diesel	4WD	1968	110	150	03.15-06.24	*
2.0 TDI 4x4 (DFGA)		Diesel	4WD	1968	110	150	03.15-06.24	*
2.0 TDI (DDAA)		Diesel	FWD	1968	140	190	03.15-06.24	*
2.0 TDI (DFCA)		Diesel	FWD	1968	140	190	03.15-06.24	*
2.0 TDI (DFHA)		Diesel	FWD	1968	140	190	03.15-06.24	*
2.0 TDI 4x4 (DDAA)		Diesel	4WD	1968	140	190	03.15-06.24	*
2.0 TDI 4x4 (DFCA)		Diesel	4WD	1968	140	190	03.15-06.24	*
2.0 TDI 4x4 (DFHA)		Diesel	4WD	1968	140	190	03.15-06.24	*
SUPERB III (3V3) 03.15-					[CAMBIADO]:Fastback (Executive car-E Segment)			
1.4 TSI (CZCA)		Gasolina	FWD	1395	92	125	03.15-06.24	*
1.4 TSI (CZDA)		Gasolina	FWD	1395	110	150	03.15-06.24	*
1.4 TSI (CZEA)		Gasolina	FWD	1395	110	150	03.15-06.24	*
1.4 TSI 4x4 (CZEA)		Gasolina	4WD	1395	110	150	03.15-06.24	*
1.8 TSI (CJSA)		Gasolina	FWD	1798	132	180	03.15-06.24	*
1.8 TSI (CJSC)		Gasolina	FWD	1798	132	180	03.15-06.24	*
2.0 TSI (CHHB)		Gasolina	FWD	1984	162	220	03.15-06.24	*
2.0 TSI 4x4 (DNUA)		Gasolina	4WD	1984	200	272	03.15-06.24	*
2.0 TSI 4x4 (CJXA)		Gasolina	4WD	1984	206	280	03.15-06.24	*
2.0 TSI 4x4 (DNFE)		Gasolina	4WD	1984	206	280	03.15-06.24	*
1.6 TDI (DCXA)		Diesel	FWD	1598	88	120	03.15-06.24	*

LISTA DE APLICACIONES - BUYERS GUIDE

1.6 TDI (DCZA)		Diesel	FWD	1598	88	120	03.15-06.24	*
2.0 TDI (CRLB)		Diesel	FWD	1968	110	150	03.15-06.24	*
2.0 TDI (DFEA)		Diesel	FWD	1968	110	150	03.15-06.24	*
2.0 TDI (DFGA)		Diesel	FWD	1968	110	150	03.15-06.24	*
2.0 TDI (DSRA)		Diesel	FWD	1968	110	150	03.15-06.24	*
2.0 TDI (DSRB)		Diesel	FWD	1968	110	150	03.15-06.24	*
2.0 TDI 4x4 (CRLB)		Diesel	4WD	1968	110	150	03.15-06.24	*
2.0 TDI 4x4 (DFEA)		Diesel	4WD	1968	110	150	03.15-06.24	*
2.0 TDI 4x4 (DFGA)		Diesel	4WD	1968	110	150	03.15-06.24	*
2.0 TDI (DDAA)		Diesel	FWD	1968	140	190	03.15-06.24	*
2.0 TDI (DFCA)		Diesel	FWD	1968	140	190	03.15-06.24	*
2.0 TDI (DFHA)		Diesel	FWD	1968	140	190	03.15-06.24	*
2.0 TDI 4x4 (DDAA)		Diesel	4WD	1968	140	190	03.15-06.24	*
2.0 TDI 4x4 (DFCA)		Diesel	4WD	1968	140	190	03.15-06.24	*
2.0 TDI 4x4 (DFHA)		Diesel	4WD	1968	140	190	03.15-06.24	*
SKODA (SVW)								
KODIAQ (0Z7, 0Z5) 04.17-						SUV (Large SUV-J Segment)		
Tsi 330		Gasolina	FWD	1984	137	186	01.18-	*
Tsi 380 4x4		Gasolina	4WD	1984	162	220	04.17-	*
Tsi 380 4x4		Gasolina	4WD	1984	162	220	03.19-	*
KODIAQ GT (0Z8, 0Z6) 11.18-						SUV (Large SUV-J Segment)		
1.4 Tsi 280		Gasolina	FWD	1395	110	150	07.17-	*
2.0 Tsi 330		Gasolina	FWD	1984	137	186	11.18-	*
2.0 Tsi 330 AWD		Gasolina	4WD	1984	162	220	11.18-	*
2.0 Tsi 330 AWD		Gasolina	4WD	1984	162	220	11.18-	*
VW								
CC B7 (358) 11.11-10.17						Coupé (Large family car-D Segment)		
1.4 TSI (CTHD)		Gasolina	FWD	1390	118	160	11.11-12.16	*
1.4 TSI (CZDA)		Gasolina	FWD	1395	110	150	05.15-12.16	*
1.8 TSI (CDAB)		Gasolina	FWD	1798	112	152	11.11-12.16	*
1.8 TSI (CDAA)		Gasolina	FWD	1798	118	160	11.11-12.16	*
2.0 TSI (CCZB)		Gasolina	FWD	1984	155	210	11.11-12.16	*
3.6 FSI		Gasolina	FWD	3597	206	280	11.11-	*
3.6 FSI		Gasolina	FWD	3597	206	280	11.11-	*
3.6 FSI 4motion (BWS)		Gasolina	4WD	3597	220	300	11.11-12.16	*
1.4 TSI MultiFuel (CKMA)		Gasol./Etanol	FWD	1390	118	160	11.11-12.16	*
2.0 TDI (CFFA)		Diesel	FWD	1968	100	136	11.11-12.16	*
2.0 TDI (CFFB)		Diesel	FWD	1968	103	140	11.11-12.16	*
2.0 TDI 4motion (CFFB)		Diesel	4WD	1968	103	140	11.11-12.16	*
2.0 TDI (CUVC)		Diesel	FWD	1968	110	150	05.15-12.16	*
2.0 TDI (CFGB)		Diesel	FWD	1968	125	170	11.11-12.16	*
2.0 TDI (CLLA)		Diesel	FWD	1968	125	170	11.11-12.16	*
2.0 TDI 4motion (CFGB)		Diesel	4WD	1968	125	170	11.11-01.13	*
2.0 TDI (CFGC)		Diesel	FWD	1968	130	177	12.12-12.16	*
2.0 TDI 4motion (CFGC)		Diesel	4WD	1968	130	177	12.12-12.16	*
2.0 TDI (CUWA)		Diesel	FWD	1968	135	184	05.15-12.16	*
GOLF VII / JETTA VII (5G1, BQ1, BE1, BE2) 08.12-						[CAMBIADO]:Fastback (Compact car-C Segment)		
1.2 TSI (CJZB)		Gasolina	FWD	1197	63	86	08.12-03.17	*
1.2 TSI (CYVA)		Gasolina	FWD	1197	63	86	08.12-03.17	*

LISTA DE APLICACIONES - BUYERS GUIDE

1.2 TSI (CJZA)		Gasolina	FWD	1197	77	105	11.12-08.20	*
1.2 TSI (CYVB)		Gasolina	FWD	1197	81	110	04.14-03.17	*
1.4 TSI (CMBA)		Gasolina	FWD	1395	90	122	11.12-03.17	*
1.4 TSI (CXSA)		Gasolina	FWD	1395	90	122	11.12-03.17	*
1.4 TSI (CZCA)		Gasolina	FWD	1395	92	125	05.14-08.20	*
1.4 TSI (CHPA)		Gasolina	FWD	1395	103	140	08.12-08.20	*
1.4 TSI (CPTA)		Gasolina	FWD	1395	103	140	08.12-08.20	*
1.4 TSI (CHPB)		Gasolina	FWD	1395	110	150	05.14-03.21	*
1.4 TSI (CZDA)		Gasolina	FWD	1395	110	150	05.14-03.21	*
1.4 TSI (CZEA)		Gasolina	FWD	1395	110	150	05.14-03.21	*
1.4 TSI (DGXA)		Gasolina	FWD	1395	110	150	05.14-03.21	*
1.5 TSI (DACA)		Gasolina	FWD	1495	96	130	05.17-08.20	*
1.6 (CWVA)		Gasolina	FWD	1598	81	110	05.14-07.17	*
2.0 GTI (CNTA)		Gasolina	FWD	1984	155	210	11.13-07.17	*
2.0 GTI (CXCA)		Gasolina	FWD	1984	155	210	11.13-07.17	*
2.0 GTI (CHHB)		Gasolina	FWD	1984	162	220	04.13-08.20	*
2.0 GTI (CNTC)		Gasolina	FWD	1984	162	220	04.13-08.20	*
2.0 GTI (CXCB)		Gasolina	FWD	1984	162	220	04.13-08.20	*
2.0 GTI (CXDA)		Gasolina	FWD	1984	162	220	04.13-08.20	*
2.0 GTI (CHHA)		Gasolina	FWD	1984	169	230	04.13-08.20	*
2.0 GTI (CXDB)		Gasolina	FWD	1984	169	230	04.13-08.20	*
2.0 GTI (DKTB)		Gasolina	FWD	1984	180	245	03.17-08.20	*
2.0 GTI (DLBA)		Gasolina	FWD	1984	180	245	03.17-08.20	*
2.0 GTI Clubsport (CJXE)		Gasolina	FWD	1984	195	265	02.16-03.17	*
2.0 R 4motion (CJXB)		Gasolina	4WD	1984	206	280	11.13-03.17	*
2.0 GTI TCR (CJXH)		Gasolina	FWD	1984	213	290	11.18-08.20	*
2.0 GTI TCR (DNUC)		Gasolina	FWD	1984	213	290	11.18-08.20	*
2.0 R		Gasolina	FWD	1984	213	290	11.13-	*
2.0 R 4motion (CJXD)		Gasolina	4WD	1984	213	290	12.16-08.20	*
2.0 R 4motion (DJHB)		Gasolina	4WD	1984	213	290	12.16-08.20	*
2.0 R 4motion (DNUC)		Gasolina	4WD	1984	213	290	12.16-08.20	*
2.0 R 4motion (CYFB)		Gasolina	4WD	1984	215	292	11.14-07.19	*
2.0 R 4motion (DJJA)		Gasolina	4WD	1984	215	292	11.14-07.19	*
2.0 R 4motion (DLRA)		Gasolina	4WD	1984	215	292	11.14-07.19	*
2.0 R 4motion (CJXC)		Gasolina	4WD	1984	221	300	11.13-08.20	*
2.0 R 4motion (DNUE)		Gasolina	4WD	1984	221	300	11.13-08.20	*
2.0 GTI Clubsport S (CJXG)		Gasolina	FWD	1984	228	310	09.16-03.17	*
2.0 R 4motion (CJXG)		Gasolina	4WD	1984	228	310	12.16-08.20	*
2.0 R 4motion (DJHA)		Gasolina	4WD	1984	228	310	12.16-08.20	*
2.0 R 360S 4motion (CJXC)		Gasolina	4WD	1984	265	360	09.16-03.17	*
1.4 TGI CNG (CPWA)		Gasol./Gas (CNG)	FWD	1395	81	110	06.13-07.18	*
1.4 TGI CNG (CZBA)		Gasol./Gas (CNG)	FWD	1395	81	110	06.13-07.18	*
1.4 TSI MultiFuel (CPVA)		Gasol./Etanol	FWD	1395	90	122	11.12-03.17	*
1.4 TSI MultiFuel (CPVB)		Gasol./Etanol	FWD	1395	92	125	12.13-07.18	*
1.4 GTE Hybrid (CUKB)		Gasol./eléc.	FWD	1395	150	204	05.14-08.20	*
1.6 TDI (CLHB)		Diesel	FWD	1598	66	90	04.13-07.18	*
1.6 TDI (CRKA)		Diesel	FWD	1598	66	90	04.13-07.18	*
1.6 TDI (CXXA)		Diesel	FWD	1598	66	90	04.13-07.18	*

LISTA DE APLICACIONES - BUYERS GUIDE

1.6 TDI (DDYB)		Diesel	FWD	1598	66	90	04.13-07.18	*
1.6 TDI (CLHA)		Diesel	FWD	1598	77	105	08.12-03.17	*
1.6 TDI 4motion (CLHA)		Diesel	4WD	1598	77	105	11.12-03.17	*
1.6 TDI (CRKB)		Diesel	FWD	1598	81	110	01.13-03.17	*
1.6 TDI (CXXB)		Diesel	FWD	1598	81	110	01.13-03.17	*
1.6 TDI (DBKA)		Diesel	FWD	1598	81	110	01.13-03.17	*
1.6 TDI 4motion (CRKB)		Diesel	4WD	1598	81	110	01.13-03.17	*
1.6 TDI 4motion (CXXB)		Diesel	4WD	1598	81	110	01.13-03.17	*
2.0 TDI (CRLD)		Diesel	FWD	1968	81	110	11.12-08.20	*
2.0 TDI (CRVA)		Diesel	FWD	1968	81	110	11.12-08.20	*
2.0 TDI (CYKB)		Diesel	FWD	1968	81	110	11.12-08.20	*
2.0 TDI (DCYB)		Diesel	FWD	1968	81	110	11.12-08.20	*
2.0 TDI (DEJB)		Diesel	FWD	1968	81	110	11.12-08.20	*
2.0 TDI (DFGB)		Diesel	FWD	1968	81	110	11.12-08.20	*
2.0 TDI (CRBB)		Diesel	FWD	1968	105	143	08.12-08.20	*
2.0 TDI (CRVC)		Diesel	FWD	1968	105	143	08.12-08.20	*
2.0 TDI (CRBC)		Diesel	FWD	1968	110	150	08.12-08.20	*
2.0 TDI (CRLB)		Diesel	FWD	1968	110	150	08.12-08.20	*
2.0 TDI (CRMB)		Diesel	FWD	1968	110	150	08.12-08.20	*
2.0 TDI (CRUA)		Diesel	FWD	1968	110	150	08.12-08.20	*
2.0 TDI (DCYA)		Diesel	FWD	1968	110	150	08.12-08.20	*
2.0 TDI (DEJA)		Diesel	FWD	1968	110	150	08.12-08.20	*
2.0 TDI (DFGA)		Diesel	FWD	1968	110	150	08.12-08.20	*
2.0 TDI 4motion (CKFC)		Diesel	4WD	1968	110	150	11.12-08.20	*
2.0 TDI 4motion (CRBC)		Diesel	4WD	1968	110	150	11.12-08.20	*
2.0 TDI 4motion (CRLB)		Diesel	4WD	1968	110	150	11.12-08.20	*
2.0 TDI 4motion (CRMB)		Diesel	4WD	1968	110	150	11.12-08.20	*
2.0 TDI 4motion (DCYA)		Diesel	4WD	1968	110	150	11.12-08.20	*
2.0 GTD		Diesel	FWD	1968	130	177	11.16-	*
2.0 GTD (CUNA)		Diesel	FWD	1968	135	184	04.13-08.20	*
2.0 GTD (DGCA)		Diesel	FWD	1968	135	184	04.13-08.20	*
2.0 GTD (DJGA)		Diesel	FWD	1968	135	184	04.13-08.20	*
GOLF VII / JETTA VII (5G1, BQ1) 08.12-							Furgón/hatchback (Compact car-C Segment)	
1.2 TSI (CJZB)		Gasolina	FWD	1197	63	86	08.12-03.17	*
1.2 TSI (CJZA)		Gasolina	FWD	1197	77	105	11.12-03.17	*
1.4 TSI (CXSA)		Gasolina	FWD	1395	90	122	05.13-03.17	*
1.4 TSI (CHPA)		Gasolina	FWD	1395	103	140	08.12-03.17	*
2.0 GTI (CHHB)		Gasolina	FWD	1984	162	220	04.13-03.17	*
2.0 GTI (CHHA)		Gasolina	FWD	1984	169	230	04.15-03.17	*
1.6 TDI (CRKA)		Diesel	FWD	1598	66	90	04.13-03.17	*
1.6 TDI (CLHA)		Diesel	FWD	1598	77	105	08.12-03.17	*
1.6 TDI (CRKB)		Diesel	FWD	1598	81	110	11.13-03.17	*
1.6 TDI (CXXB)		Diesel	FWD	1598	81	110	11.13-03.17	*
2.0 TDI		Diesel	FWD	1968	110	150	05.13-05.14	*
2.0 TDI 4motion (CRBC)		Diesel	4WD	1968	110	150	05.13-05.14	*
2.0 GTD (CUNA)		Diesel	FWD	1968	135	184	04.13-03.17	*
GOLF VII ALLTRACK Variant (BA5, BV5) 12.14-							[CAMBIADO]:Break (Compact car-C Segment)	
1.8 TSI 4motion		Gasolina	4WD	1798	125	170	08.16-	*
1.8 TSI 4motion (CJSB)		Gasolina	4WD	1798	132	180	12.14-08.20	*
1.6 TDI 4motion (CRKB)		Diesel	4WD	1598	81	110	12.14-03.17	*

LISTA DE APLICACIONES - BUYERS GUIDE

1.6 TDI 4motion (CXXB)		Diesel	4WD	1598	81	110	12.14-03.17	*	
2.0 TDI 4motion (CRBC)		Diesel	4WD	1968	110	150	12.14-08.20	*	
2.0 TDI 4motion (CRLB)		Diesel	4WD	1968	110	150	12.14-08.20	*	
2.0 TDI 4motion (DCYA)		Diesel	4WD	1968	110	150	12.14-08.20	*	
2.0 TDI 4motion (CUNA)		Diesel	4WD	1968	135	184	12.14-08.20	*	
2.0 TDI 4motion (DGCA)		Diesel	4WD	1968	135	184	12.14-08.20	*	
2.0 TDI 4motion (DJGA)		Diesel	4WD	1968	135	184	12.14-08.20	*	
GOLF VII VAN Variant / JETTA VII (BA5) 04.13-03.17							[CAMBIADO]:Furgón/Break (Compact car-C Segment)		
1.2 TSI (CJZB)		Gasolina	FWD	1197	63	86	05.13-03.17	*	
1.2 TSI (CYVA)		Gasolina	FWD	1197	63	86	05.13-03.17	*	
1.2 TSI (CJZA)		Gasolina	FWD	1197	77	105	04.13-03.17	*	
1.4 TSI (CXSA)		Gasolina	FWD	1395	90	122	05.13-03.17	*	
1.4 TSI (CHPA)		Gasolina	FWD	1395	103	140	05.13-03.17	*	
1.6 TDI (CLHB)		Diesel	FWD	1598	66	90	05.13-03.17	*	
1.6 TDI (CRKA)		Diesel	FWD	1598	66	90	05.13-03.17	*	
1.6 TDI (CXXA)		Diesel	FWD	1598	66	90	05.13-03.17	*	
1.6 TDI (CLHA)		Diesel	FWD	1598	77	105	05.13-03.17	*	
1.6 TDI 4motion (CLHA)		Diesel	4WD	1598	77	105	05.13-03.17	*	
1.6 TDI (CRKB)		Diesel	FWD	1598	81	110	05.13-03.17	*	
2.0 TDI (CRBC)		Diesel	FWD	1968	110	150	04.13-03.17	*	
2.0 TDI (CRLB)		Diesel	FWD	1968	110	150	04.13-03.17	*	
2.0 TDI 4motion (CRBC)		Diesel	4WD	1968	110	150	04.13-03.17	*	
2.0 TDI 4motion (CRLB)		Diesel	4WD	1968	110	150	04.13-03.17	*	
GOLF VII Variant / JETTA VII (BA5, BV5) 04.13-							[CAMBIADO]:Break (Compact car-C Segment)		
1.0 TSI (CHZC)		Gasolina	FWD	999	81	110	11.16-08.20	*	
1.2 TSI (CJZB)		Gasolina	FWD	1197	63	86	05.13-03.17	*	
1.2 TSI (CYVA)		Gasolina	FWD	1197	63	86	05.13-03.17	*	
1.2 TSI (CJZA)		Gasolina	FWD	1197	77	105	04.13-08.20	*	
1.2 TSI MultiFuel		Gasolina	FWD	1197	77	105	04.13-	*	
1.2 TSI (CYVB)		Gasolina	FWD	1197	81	110	04.14-03.17	*	
1.4 TSI BiFuel		Gasolina	FWD	1395	81	110	09.13-	*	
1.4 TSI (CXSA)		Gasolina	FWD	1395	90	122	05.13-03.17	*	
1.4 TSI (CZCA)		Gasolina	FWD	1395	92	125	05.14-08.20	*	
1.4 TSI (CZDD)		Gasolina	FWD	1395	92	125	05.14-08.20	*	
1.4 TSI (CHPA)		Gasolina	FWD	1395	103	140	05.13-08.20	*	
1.4 TSI (CHPB)		Gasolina	FWD	1395	110	150	05.14-03.21	*	
1.4 TSI (CZDA)		Gasolina	FWD	1395	110	150	05.14-03.21	*	
1.4 TSI (DGXA)		Gasolina	FWD	1395	110	150	05.14-03.21	*	
1.5 TSI (DACA)		Gasolina	FWD	1495	96	130	07.17-08.20	*	
1.5 TSI (DPBA)		Gasolina	FWD	1495	96	130	07.17-08.20	*	
1.6 (CWVA)		Gasolina	FWD	1598	81	110	05.14-07.17	*	
2.0 R 4motion (CJXB)		Gasolina	4WD	1984	206	280	03.15-03.17	*	
2.0 R 4motion (CJXD)		Gasolina	4WD	1984	213	290	12.16-08.20	*	
2.0 R 4motion (DJHB)		Gasolina	4WD	1984	213	290	12.16-08.20	*	
2.0 R 4motion (DNUC)		Gasolina	4WD	1984	213	290	12.16-08.20	*	
2.0 R 4motion (CJXC)		Gasolina	4WD	1984	221	300	03.15-08.20	*	
2.0 R 4motion (DNUE)		Gasolina	4WD	1984	221	300	03.15-08.20	*	
2.0 R 4motion (CJXG)		Gasolina	4WD	1984	228	310	12.16-08.20	*	
2.0 R 4motion (DJHA)		Gasolina	4WD	1984	228	310	12.16-08.20	*	
2.0 R 360S 4motion (CJXC)		Gasolina	4WD	1984	265	360	09.16-03.17	*	

LISTA DE APLICACIONES - BUYERS GUIDE

1.4 TGI CNG (CPWA)		Gasol./Gas (CNG)	FWD	1395	81	110	09.13-07.18	*	
1.5 TGI (DHFA)		Gasol./Gas (CNG)	FWD	1498	96	131	12.18-08.20	*	
1.4 TSI MultiFuel (CPVA)		Gasol./Etanol	FWD	1395	90	122	04.13-03.17	*	
1.4 TSI MultiFuel (CPVB)		Gasol./Etanol	FWD	1395	92	125	05.14-03.17	*	
1.6 TDI (CLHB)		Diesel	FWD	1598	66	90	05.13-07.18	*	
1.6 TDI (CRKA)		Diesel	FWD	1598	66	90	05.13-07.18	*	
1.6 TDI (CXXA)		Diesel	FWD	1598	66	90	05.13-07.18	*	
1.6 TDI (DDYB)		Diesel	FWD	1598	66	90	05.13-07.18	*	
1.6 TDI (CLHA)		Diesel	FWD	1598	77	105	05.13-03.17	*	
1.6 TDI 4motion (CLHA)		Diesel	4WD	1598	77	105	05.13-03.17	*	
1.6 TDI (CRKB)		Diesel	FWD	1598	81	110	05.13-03.17	*	
1.6 TDI (CXXB)		Diesel	FWD	1598	81	110	05.13-03.17	*	
1.6 TDI (DBKA)		Diesel	FWD	1598	81	110	05.13-03.17	*	
1.6 TDI 4motion (CRKB)		Diesel	4WD	1598	81	110	05.13-03.17	*	
1.6 TDI 4motion (CXXB)		Diesel	4WD	1598	81	110	05.13-03.17	*	
1.6 TDI (DDYA)		Diesel	FWD	1598	85	115	11.16-08.20	*	
1.6 TDI (DGTE)		Diesel	FWD	1598	85	115	11.16-08.20	*	
2.0 TDI (CRLD)		Diesel	FWD	1968	81	110	05.13-08.20	*	
2.0 TDI (CRVA)		Diesel	FWD	1968	81	110	05.13-08.20	*	
2.0 TDI (CYKB)		Diesel	FWD	1968	81	110	05.13-08.20	*	
2.0 TDI (DCYB)		Diesel	FWD	1968	81	110	05.13-08.20	*	
2.0 TDI (DEJB)		Diesel	FWD	1968	81	110	05.13-08.20	*	
2.0 TDI (DFGB)		Diesel	FWD	1968	81	110	05.13-08.20	*	
2.0 TDI (CRBC)		Diesel	FWD	1968	110	150	04.13-08.20	*	
2.0 TDI (CRLB)		Diesel	FWD	1968	110	150	04.13-08.20	*	
2.0 TDI (CRUA)		Diesel	FWD	1968	110	150	04.13-08.20	*	
2.0 TDI (DCYA)		Diesel	FWD	1968	110	150	04.13-08.20	*	
2.0 TDI (DEJA)		Diesel	FWD	1968	110	150	04.13-08.20	*	
2.0 TDI (DFGA)		Diesel	FWD	1968	110	150	04.13-08.20	*	
2.0 TDI 4motion (CRBC)		Diesel	4WD	1968	110	150	04.13-08.20	*	
2.0 TDI 4motion (CRLB)		Diesel	4WD	1968	110	150	04.13-08.20	*	
2.0 TDI 4motion (DCYA)		Diesel	4WD	1968	110	150	04.13-08.20	*	
2.0 GTD		Diesel	FWD	1968	130	177	11.16-	*	
2.0 GTD (CUNA)		Diesel	FWD	1968	135	184	01.15-07.19	*	
2.0 GTD (DGCA)		Diesel	FWD	1968	135	184	01.15-07.19	*	
2.0 GTD (DJGA)		Diesel	FWD	1968	135	184	01.15-07.19	*	
GOLF VIII ALLTRACK (CG5) 11.20-					[CAMBIADO]:Break (Compact car-C Segment)				
2.0 TSI 4motion		Gasolina	4WD	1984	140	190	03.21-11.24	*	
GOLF VIII (CD1, DA1) 07.19-					[CAMBIADO]:Fastback (Compact car-C Segment)				
1.4 TSI eHybrid		Gasol./eléc.	FWD	1395	150	204	07.20-	*	
1.5 eHybrid		Gasol./eléc.	FWD	1498	150	204	06.24-	*	
PASSAT B6 CC (357) 02.08-12.13					Coupé (Large family car-D Segment)				
1.8 TSI (CDAB)		Gasolina	FWD	1798	112	152	11.08-05.10	*	
1.8 TSI (CGYA)		Gasolina	FWD	1798	112	152	11.08-05.10	*	
1.8 TSI (BZB)		Gasolina	FWD	1798	118	160	06.08-01.12	*	
1.8 TSI (CDAA)		Gasolina	FWD	1798	118	160	06.08-01.12	*	

LISTA DE APLICACIONES - BUYERS GUIDE

2.0 TFSI (CAWB)		Gasolina	FWD	1984	147	200	06.08-01.12	*
2.0 TFSI (CBFA)		Gasolina	FWD	1984	147	200	06.08-01.12	*
2.0 TFSI (CCTA)		Gasolina	FWD	1984	147	200	06.08-01.12	*
2.0 TFSI (CCZA)		Gasolina	FWD	1984	147	200	06.08-01.12	*
2.0 TSI (CCZB)		Gasolina	FWD	1984	155	211	11.10-01.12	*
3.6 FSI 4motion (BLV)		Gasolina	4WD	3580	206	280	06.08-01.12	*
3.6 FSI 4motion (CNNA)		Gasolina	4WD	3580	206	280	06.08-01.12	*
3.6 FSI		Gasolina	FWD	3597	206	280	06.08-	*
3.6 FSI 4motion (BWS)		Gasolina	4WD	3597	220	300	02.08-12.11	*
1.4 TSI MultiFuel (CKMA)		Gasol./Etanol	FWD	1390	118	160	01.11-01.12	*
2.0 TDI (CBAA)		Diesel	FWD	1968	100	136	06.08-05.11	*
2.0 TDI (CFFA)		Diesel	FWD	1968	100	136	06.08-05.11	*
2.0 TDI (CBAB)		Diesel	FWD	1968	103	140	06.08-01.12	*
2.0 TDI (CFFB)		Diesel	FWD	1968	103	140	06.08-01.12	*
2.0 TDI 4motion (CBAB)		Diesel	4WD	1968	103	140	08.09-01.12	*
2.0 TDI 4motion (CFFB)		Diesel	4WD	1968	103	140	08.09-01.12	*
2.0 BlueTDI (CBAC)		Diesel	FWD	1968	105	143	05.09-11.10	*
2.0 TDI (CBBA)		Diesel	FWD	1968	120	163	02.08-05.09	*
2.0 TDI (CBBB)		Diesel	FWD	1968	125	170	06.08-01.12	*
2.0 TDI (CFGB)		Diesel	FWD	1968	125	170	06.08-01.12	*
2.0 TDI (CLLA)		Diesel	FWD	1968	125	170	06.08-01.12	*
2.0 TDI 4motion (CBBB)		Diesel	4WD	1968	125	170	11.09-01.12	*
2.0 TDI 4motion (CFGB)		Diesel	4WD	1968	125	170	11.09-01.12	*
PASSAT B7 (365) 08.10-12.14							[CAMBIADO]:Furgón/Break (Large family car-D Segment)	
2.0 TSI		Gasolina	FWD	1984	155	211	11.10-12.14	*
3.6 FSI 4motion (BWS)		Gasolina	4WD	3597	220	299	01.11-12.14	*
PASSAT B7 (362) 08.10-04.16							Sedán (Large family car-D Segment)	
1.4 TSI (CAXA)		Gasolina	FWD	1390	90	122	08.10-12.14	*
1.8 TSI (CDAA)		Gasolina	FWD	1798	118	160	08.10-12.14	*
2.0 TSI (CCZB)		Gasolina	FWD	1984	155	210	11.10-12.14	*
2.5 (CBTA)		Gasolina	FWD	2480	125	170	01.11-12.20	*
2.5 (CBUA)		Gasolina	FWD	2480	125	170	01.11-12.20	*
2.5 (CCCA)		Gasolina	FWD	2480	125	170	01.11-12.20	*
3.6 FSI		Gasolina	FWD	3597	206	280	01.12-	*
3.6 FSI 4motion (BWS)		Gasolina	4WD	3597	220	300	01.11-12.14	*
1.6 TDI (CAYC)		Diesel	FWD	1598	77	105	08.10-12.14	*
2.0 TDI (CFFA)		Diesel	FWD	1968	100	136	08.10-12.14	*
2.0 TDI (CFFB)		Diesel	FWD	1968	103	140	08.10-12.14	*
2.0 TDI 4motion (CFFB)		Diesel	4WD	1968	103	140	08.10-12.14	*
2.0 TDI (CFGB)		Diesel	FWD	1968	125	170	08.10-12.14	*
2.0 TDI (CLLA)		Diesel	FWD	1968	125	170	08.10-12.14	*
2.0 TDI 4motion (CFGB)		Diesel	4WD	1968	125	170	08.10-01.13	*
PASSAT B7 ALLTRACK (365) 01.12-12.14							[CAMBIADO]:Break (Large family car-D Segment)	
1.8 TSI (CDAB)		Gasolina	FWD	1798	112	152	01.12-12.14	*
1.8 TSI (CDAA)		Gasolina	FWD	1798	118	160	01.12-12.14	*
2.0 TSI 4motion (CCZB)		Gasolina	4WD	1984	155	210	01.12-12.14	*
2.0 TDI (CFFB)		Diesel	FWD	1968	103	140	01.12-12.14	*
2.0 TDI 4motion (CFFB)		Diesel	4WD	1968	103	140	01.12-12.14	*
2.0 TDI 4motion (CFGB)		Diesel	4WD	1968	125	170	01.12-12.14	*

LISTA DE APLICACIONES - BUYERS GUIDE

2.0 TDI 4motion (CFGC)	Diesel	4WD	1968	130	177	01.13-12.14	*
PASSAT B7 Variant (365) 08.10-12.15				[CAMBIADO]:Break (Large family car-D Segment)			
1.4 TSI (CAXA)	Gasolina	FWD	1390	90	122	08.10-12.14	*
1.8 TSI (CDAA)	Gasolina	FWD	1798	118	160	08.10-12.14	*
2.0 TSI (CCZB)	Gasolina	FWD	1984	155	210	11.10-12.15	*
3.6 FSI 4motion (BWS)	Gasolina	4WD	3597	220	300	01.11-12.14	*
1.6 TDI (CAYC)	Diesel	FWD	1598	77	105	08.10-12.14	*
2.0 TDI (CFFB)	Diesel	FWD	1968	103	140	08.10-12.14	*
2.0 TDI 4motion (CFFB)	Diesel	4WD	1968	103	140	08.10-12.14	*
2.0 TDI (CFGB)	Diesel	FWD	1968	125	170	08.10-12.14	*
2.0 TDI (CLLA)	Diesel	FWD	1968	125	170	08.10-12.14	*
2.0 TDI 4motion (CFGB)	Diesel	4WD	1968	125	170	08.10-01.13	*
PASSAT B8 (3G2, CB2) 08.14-				Sedán (Large family car-D Segment)			
1.4 TSI (CZCA)	Gasolina	FWD	1395	92	125	11.14-11.18	*
1.4 TSI (CZDA)	Gasolina	FWD	1395	110	150	11.14-03.24	*
1.4 TSI (CZEA)	Gasolina	FWD	1395	110	150	11.14-03.24	*
1.4 TSI 4motion (CZEA)	Gasolina	4WD	1395	110	150	02.15-11.18	*
1.8 TSI (CJSA)	Gasolina	FWD	1798	132	180	02.15-07.19	*
1.8 TSI (CJSC)	Gasolina	FWD	1798	132	180	02.15-07.19	*
2.0 TSI (CHHB)	Gasolina	FWD	1984	162	220	02.15-03.24	*
2.0 TSI (CXDA)	Gasolina	FWD	1984	162	220	02.15-03.24	*
2.0 TSI 4motion (DNUA)	Gasolina	4WD	1984	200	272	09.18-11.20	*
2.0 TSI 4motion (CJXA)	Gasolina	4WD	1984	206	280	05.15-03.24	*
1.4 GTE Hybrid (CUKC)	Gasol./el éc.	FWD	1395	160	218	06.15-03.24	*
1.4 GTE Hybrid (DGEB)	Gasol./el éc.	FWD	1395	160	218	06.15-03.24	*
1.6 TDI (DCXA)	Diesel	FWD	1598	88	120	08.14-11.20	*
1.6 TDI (DCZA)	Diesel	FWD	1598	88	120	08.14-11.20	*
2.0 TDI (CRLB)	Diesel	FWD	1968	110	150	11.14-03.24	*
2.0 TDI (DBGA)	Diesel	FWD	1968	110	150	11.14-03.24	*
2.0 TDI (DFGA)	Diesel	FWD	1968	110	150	11.14-03.24	*
2.0 TDI (DSRA)	Diesel	FWD	1968	110	150	11.14-03.24	*
2.0 TDI (DSRB)	Diesel	FWD	1968	110	150	11.14-03.24	*
2.0 TDI 4motion (CRLB)	Diesel	4WD	1968	110	150	08.14-03.24	*
2.0 TDI 4motion (DFEA)	Diesel	4WD	1968	110	150	08.14-03.24	*
2.0 TDI 4motion (DFGA)	Diesel	4WD	1968	110	150	08.14-03.24	*
2.0 TDI	Diesel	FWD	1968	130	177	05.16-03.24	*
2.0 TDI (CUPA)	Diesel	FWD	1968	135	184	07.15-05.16	*
2.0 TDI (DDAA)	Diesel	FWD	1968	140	190	11.14-03.24	*
2.0 TDI (DFCA)	Diesel	FWD	1968	140	190	11.14-03.24	*
2.0 TDI (DFHA)	Diesel	FWD	1968	140	190	11.14-03.24	*
2.0 TDI 4motion (DDAA)	Diesel	4WD	1968	140	190	11.14-03.24	*
2.0 TDI 4motion (DFCA)	Diesel	4WD	1968	140	190	11.14-03.24	*
2.0 TDI 4motion (DFHA)	Diesel	4WD	1968	140	190	11.14-03.24	*
2.0 TDI 4motion (CUAA)	Diesel	4WD	1968	176	240	08.14-11.20	*
PASSAT B8 ALLTRACK Variant (3G5, CB5) 05.15-				[CAMBIADO]:Break (Large family car-D Segment)			
1.4 TSI 4motion (CZEA)	Gasolina	4WD	1395	110	150	05.15-11.18	*
2.0 TSI 4motion (CHHB)	Gasolina	4WD	1984	162	220	07.15-03.24	*
2.0 TSI 4motion (DNUA)	Gasolina	4WD	1984	200	272	08.18-11.20	*
2.0 TSI 4motion (CJXA)	Gasolina	4WD	1984	206	280	11.18-03.24	*

LISTA DE APLICACIONES - BUYERS GUIDE

2.0 TDI 4motion (CRLB)		Diesel	4WD	1968	110	150	05.15-11.17	*
2.0 TDI 4motion (DFEA)		Diesel	4WD	1968	110	150	05.15-11.17	*
2.0 TDI 4motion (CUPA)		Diesel	4WD	1968	135	184	07.15-05.16	*
2.0 TDI 4motion (DDAA)		Diesel	4WD	1968	140	190	05.15-03.24	*
2.0 TDI 4motion (DFCA)		Diesel	4WD	1968	140	190	05.15-03.24	*
2.0 TDI 4motion (DFHA)		Diesel	4WD	1968	140	190	05.15-03.24	*
2.0 TDI 4motion (CUAA)		Diesel	4WD	1968	176	240	05.15-11.20	*
PASSAT B8 Variant (3G5, CB5) 08.14-					[CAMBIADO]:Break (Large family car-D Segment)			
1.4 TSI (CZCA)		Gasolina	FWD	1395	92	125	11.14-11.18	*
1.4 TSI (CZDA)		Gasolina	FWD	1395	110	150	11.14-03.24	*
1.4 TSI (CZEA)		Gasolina	FWD	1395	110	150	11.14-03.24	*
1.4 TSI 4motion (CZEA)		Gasolina	4WD	1395	110	150	02.15-11.18	*
1.8 TSI (CJSA)		Gasolina	FWD	1798	132	180	02.15-07.19	*
1.8 TSI (CJSC)		Gasolina	FWD	1798	132	180	02.15-07.19	*
2.0 TSI (CHHB)		Gasolina	FWD	1984	162	220	08.14-03.24	*
2.0 TSI (CXDA)		Gasolina	FWD	1984	162	220	08.14-03.24	*
2.0 TSI 4motion (DNUA)		Gasolina	4WD	1984	200	272	09.18-11.20	*
2.0 TSI 4motion (CJXA)		Gasolina	4WD	1984	206	280	05.15-03.24	*
1.6 TDI (DCXA)		Diesel	FWD	1598	88	120	08.14-11.20	*
1.6 TDI (DCZA)		Diesel	FWD	1598	88	120	08.14-11.20	*
2.0 TDI (CRLB)		Diesel	FWD	1968	110	150	11.14-03.24	*
2.0 TDI (DBGA)		Diesel	FWD	1968	110	150	11.14-03.24	*
2.0 TDI (DFGA)		Diesel	FWD	1968	110	150	11.14-03.24	*
2.0 TDI (DSRA)		Diesel	FWD	1968	110	150	11.14-03.24	*
2.0 TDI (DSRB)		Diesel	FWD	1968	110	150	11.14-03.24	*
2.0 TDI 4motion (CRLB)		Diesel	4WD	1968	110	150	08.14-03.24	*
2.0 TDI 4motion (DFEA)		Diesel	4WD	1968	110	150	08.14-03.24	*
2.0 TDI 4motion (DFGA)		Diesel	4WD	1968	110	150	08.14-03.24	*
2.0 TDI (CUPA)		Diesel	FWD	1968	135	184	07.15-05.16	*
2.0 TDI (DDAA)		Diesel	FWD	1968	140	190	11.14-03.24	*
2.0 TDI (DFCA)		Diesel	FWD	1968	140	190	11.14-03.24	*
2.0 TDI (DFHA)		Diesel	FWD	1968	140	190	11.14-03.24	*
2.0 TDI 4motion (DDAA)		Diesel	4WD	1968	140	190	11.14-03.24	*
2.0 TDI 4motion (DFCA)		Diesel	4WD	1968	140	190	11.14-03.24	*
2.0 TDI 4motion (DFHA)		Diesel	4WD	1968	140	190	11.14-03.24	*
2.0 TDI 4motion (CUAA)		Diesel	4WD	1968	176	240	08.14-11.20	*
POLO V (6R1, 6C1) 03.09-					[CAMBIADO]:Fastback (Supermini car-B Segment)			
1.8 GTI 230 (DAJA)		Gasolina	FWD	1798	169	230	04.16-10.17	*
SHARAN II (7N1, 7N2) 05.10-					Furgoneta/MPV (Large MPV-M1 Segment)			
1.4 TSI		Gasolina	FWD	1390	110	150	05.10-11.15	*
2.0 TSI		Gasolina	FWD	1984	147	200	12.10-11.15	*
2.0 TDI		Diesel	FWD	1968	85	116	05.11-11.15	*
2.0 TDI		Diesel	FWD	1968	100	136	05.10-05.11	*
2.0 TDI		Diesel	FWD	1968	103	140	05.10-11.15	*
2.0 TDI		Diesel	FWD	1968	125	170	08.10-01.13	*
SHARAN II (7N1, 7N2) 05.10-					MPV (Large MPV-M1 Segment)			
1.4 TSI (CAVA)		Gasolina	FWD	1390	110	150	05.10-11.15	*
1.4 TSI (CNWB)		Gasolina	FWD	1390	110	150	05.10-11.15	*
1.4 TSI (CTHA)		Gasolina	FWD	1390	110	150	05.10-11.15	*

LISTA DE APLICACIONES - BUYERS GUIDE

1.4 TSI (CZDA)		Gasolina	FWD	1395	110	150	05.15-11.22	*	
1.4 TSI (DJKA)		Gasolina	FWD	1395	110	150	05.15-11.22	*	
1.8 TSI		Gasolina	FWD	1798	118	160	11.11-	*	
2.0 TFSI (CCZA)		Gasolina	FWD	1984	147	200	12.10-11.15	*	
2.0 TSI (DEDA)		Gasolina	FWD	1984	162	220	05.15-12.20	*	
2.0 TDI (CFFE)		Diesel	FWD	1968	85	115	05.11-07.19	*	
2.0 TDI (CUVA)		Diesel	FWD	1968	85	115	05.11-07.19	*	
2.0 TDI (DFLD)		Diesel	FWD	1968	85	115	05.11-07.19	*	
2.0 TDI (DLTC)		Diesel	FWD	1968	85	115	05.11-07.19	*	
2.0 TDI		Diesel	RWD	1968	100	136	05.11-05.12	*	
2.0 TDI (CFFA)		Diesel	FWD	1968	100	136	05.10-11.15	*	
2.0 TDI (CFFB)		Diesel	FWD	1968	103	140	05.10-11.15	*	
2.0 TDI 4motion (CFFB)		Diesel	4WD	1968	103	140	05.11-11.15	*	
2.0 TDI (CUVC)		Diesel	FWD	1968	110	150	05.15-10.20	*	
2.0 TDI (DFLA)		Diesel	FWD	1968	110	150	05.15-10.20	*	
2.0 TDI (DLTA)		Diesel	FWD	1968	110	150	05.15-10.20	*	
2.0 TDI 4motion (CUVC)		Diesel	4WD	1968	110	150	05.15-07.19	*	
2.0 TDI 4motion (DFLA)		Diesel	4WD	1968	110	150	05.15-07.19	*	
2.0 TDI 4motion (DLTA)		Diesel	4WD	1968	110	150	05.15-07.19	*	
2.0 TDI (CFGB)		Diesel	FWD	1968	125	170	05.10-01.13	*	
2.0 TDI (CFGC)		Diesel	FWD	1968	130	177	01.13-06.22	*	
2.0 TDI (DLUB)		Diesel	FWD	1968	130	177	01.13-06.22	*	
2.0 TDI 4motion (DLUB)		Diesel	4WD	1968	130	177	07.18-10.20	*	
2.0 TDI (CUWA)		Diesel	FWD	1968	135	184	05.15-07.18	*	
2.0 TDI (DFMA)		Diesel	FWD	1968	135	184	05.15-07.18	*	
2.0 TDI 4motion (DFMA)		Diesel	4WD	1968	135	184	05.16-07.18	*	
TIGUAN II (AD1) 07.15-					Furgoneta/SUV ()				
TDI 4motion		Diesel	4WD	1968	140	190	01.16-07.20	*	
TIGUAN II (AD1, AX1) 01.16-					SUV (Compact SUV-J Segment)				
1.4 TSI (CZCA)		Gasolina	FWD	1395	92	125	01.16-03.22	*	
1.4 TSI (CZDA)		Gasolina	FWD	1395	110	150	05.16-04.24	*	
1.4 TSI (CZEA)		Gasolina	FWD	1395	110	150	05.16-04.24	*	
1.4 TSI (DJVA)		Gasolina	FWD	1395	110	150	05.16-04.24	*	
1.4 TSI 4motion (CZDA)		Gasolina	4WD	1395	110	150	05.16-07.18	*	
1.4 TSI 4motion (CZEA)		Gasolina	4WD	1395	110	150	05.16-07.18	*	
2.0 TSI 4motion (CZPA)		Gasolina	4WD	1984	132	180	01.16-04.24	*	
2.0 TSI 4motion (DKZA)		Gasolina	4WD	1984	140	190	09.18-11.22	*	
2.0 TSI 4motion (DRFA)		Gasolina	4WD	1984	140	190	09.18-11.22	*	
2.0 TSI 4motion (CHHB)		Gasolina	4WD	1984	162	220	06.16-04.24	*	
2.0 TSI 4motion (DKTA)		Gasolina	4WD	1984	169	230	09.18-07.20	*	
1.6 TDI (DGDB)		Diesel	FWD	1598	85	115	05.16-06.20	*	
2.0 TDI (CYKC)		Diesel	FWD	1968	81	110	08.16-07.20	*	
2.0 TDI (DFGC)		Diesel	FWD	1968	85	115	05.16-07.19	*	
2.0 TDI 4motion		Diesel	4WD	1968	105	143	06.16-07.20	*	
2.0 TDI (DFGA)		Diesel	FWD	1968	110	150	01.16-04.24	*	
2.0 TDI (DTSA)		Diesel	FWD	1968	110	150	01.16-04.24	*	
2.0 TDI (DTSB)		Diesel	FWD	1968	110	150	01.16-04.24	*	
2.0 TDI 4motion (DBGC)		Diesel	4WD	1968	110	150	01.16-04.24	*	
2.0 TDI 4motion (DFGA)		Diesel	4WD	1968	110	150	01.16-04.24	*	
2.0 TDI 4motion (DTSA)		Diesel	4WD	1968	110	150	01.16-04.24	*	
2.0 TDI 4motion (DTSB)		Diesel	4WD	1968	110	150	01.16-04.24	*	

LISTA DE APLICACIONES - BUYERS GUIDE

2.0 TDI 4motion (CRGB)		Diesel	4WD	1968	130	177	08.16-07.20	*	
2.0 TDI 4motion (DFHA)		Diesel	4WD	1968	140	190	04.16-07.20	*	
2.0 TDI 4motion (CUAA)		Diesel	4WD	1968	176	240	05.16-07.20	*	
TIGUAN ALLSPACE (BW2, BJ2) 03.17-					SUV (Compact SUV-J Segment)				
1.4 TSI (CZDA)		Gasolina	FWD	1395	110	150	06.17-	*	
1.4 TSI (CZEA)		Gasolina	FWD	1395	110	150	06.17-	*	
1.5 TSI (DADA)		Gasolina	FWD	1498	110	150	09.18-	*	
1.5 TSI (DPCA)		Gasolina	FWD	1498	110	150	09.18-	*	
2.0 TSI 4motion (DGVA)		Gasolina	4WD	1984	132	180	03.17-	*	
2.0 TSI (DGUA)		Gasolina	FWD	1984	137	186	04.17-	*	
2.0 TSI 4motion (DGUA)		Gasolina	4WD	1984	137	186	04.17-	*	
2.0 TSI 4motion (DNLA)		Gasolina	4WD	1984	140	190	09.18-	*	
2.0 TSI 4motion (CXDA)		Gasolina	4WD	1984	162	220	07.17-	*	
2.0 TSI 4motion (DNJA)		Gasolina	4WD	1984	162	220	07.17-	*	
2.0 TSI 4motion (DKTA)		Gasolina	4WD	1984	169	230	09.18-07.20	*	
1.4 TSI E100 Flex (CWLA)		Gasol./Etanol	FWD	1395	110	150	07.17-	*	
2.0 TDI (DFGA)		Diesel	FWD	1968	110	150	06.17-	*	
2.0 TDI 4motion (DBGC)		Diesel	4WD	1968	110	150	06.17-	*	
2.0 TDI 4motion (DFGA)		Diesel	4WD	1968	110	150	06.17-	*	
2.0 TDI 4motion (DFHA)		Diesel	4WD	1968	140	190	06.17-07.21	*	
2.0 TDI 4motion (CUAA)		Diesel	4WD	1968	176	240	06.17-09.20	*	
T-ROC (AC7, AC8) 12.19-					Cabrio (Mini SUV-J Segment)				
1.0 TSI		Gasolina	FWD	999	81	110	09.20-	*	
T-ROC (A11, D11) 07.17-					SUV (Mini SUV-J Segment)				
1.0 TSI (CHZJ)		Gasolina	FWD	999	85	116	07.17-	*	
1.0 TSI (DKRF)		Gasolina	FWD	999	85	116	07.17-	*	
1.0 TSI 4motion		Gasolina	4WD	999	85	115	01.19-	*	
1.5 TSI (DADA)		Gasolina	FWD	1498	110	150	11.17-	*	
1.5 TSI (DPCA)		Gasolina	FWD	1498	110	150	11.17-	*	
2.0 TSI 4motion (CZPB)		Gasolina	4WD	1984	140	190	07.17-	*	
2.0 TSI 4motion (DKZA)		Gasolina	4WD	1984	140	190	07.17-	*	
2.0 R 4motion (DNUE)		Gasolina	4WD	1984	221	300	09.19-	*	
1.6 TDI (DGTE)		Diesel	FWD	1598	85	115	03.18-06.21	*	
2.0 TDI SCR		Diesel	FWD	1968	85	116	11.20-	*	
2.0 TDI (DFFA)		Diesel	FWD	1968	110	150	03.18-	*	
2.0 TDI 4motion (DFFA)		Diesel	4WD	1968	110	150	09.17-	*	
2.0 TDI 4motion (DFHA)		Diesel	4WD	1968	140	190	07.19-06.21	*	
VW (SVW)									
TIGUAN L (0T1, 0T3) 01.17-					SUV (Compact SUV-J Segment)				
330TSi		Gasolina	FWD	1798	132	180	01.17-	*	
Tsi 330		Gasolina	FWD	1798	132	180	04.17-	*	
330TSi		Gasolina	FWD	1984	137	186	01.18-	*	
380 Tsi 4motion		Gasolina	4WD	1984	162	220	01.17-	*	
380 Tsi 4motion		Gasolina	4WD	1984	162	220	06.19-	*	
14.4 430 PHEV		Gasol./eléc.	FWD	1395	110	150	11.18-	*	
TIGUAN X (0T2, 0T4) 11.20-					SUV (Compact SUV-J Segment)				
330TSi (DPLA)		Gasolina	FWD	1984	137	186	11.20-	*	
380 Tsi 4motion (DKXA)		Gasolina	4WD	1984	162	220	11.20-	*	