

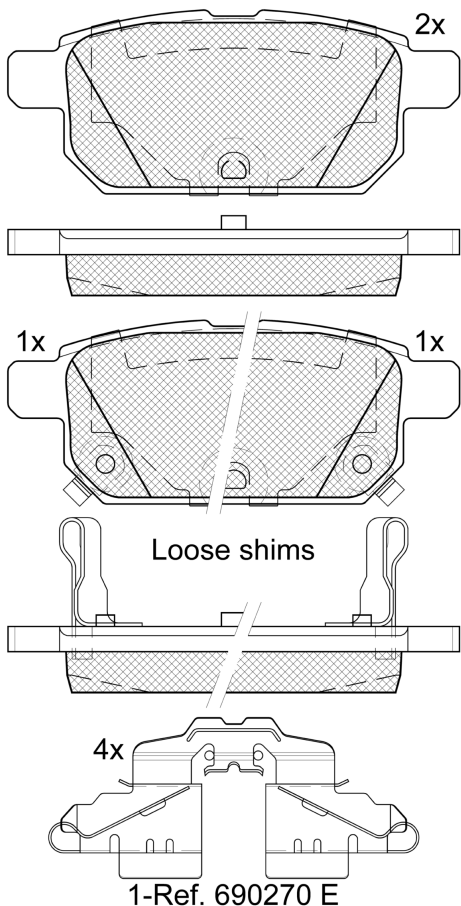
LISTA DE APLICACIONES - BUYERS GUIDE

RB2017



Qty: 300 Weight: 805

O.E.M.	MAKE
55800-52R00	SUZUKI
55800-52R01	SUZUKI
55800-61M00	SUZUKI
55800-61M00-000	SUZUKI
55800-61M01	SUZUKI
55800-61M02	SUZUKI
55800-61M10	SUZUKI
55800-61M11	SUZUKI
55800-68L00	SUZUKI
55800-68L10	SUZUKI
55800-68L20	SUZUKI
55800-68L21	SUZUKI
55800-68R00	SUZUKI
55800-68R10	SUZUKI
55910-M68P00	SUZUKI
55910-M68P00-000	SUZUKI
55910-M68P01	SUZUKI
55910-M68P01-000	SUZUKI



RB2017

E 9 90R-01111/3167



Akebono

98.6x40.1x15

WVA	FMSI
25258	D2007-9237
25259	
25260	

Sin Filas



Trac.	CC	Kw	CV
-------	----	----	----



Front / Rear

MARUTI SUZUKI

CIAZ 07.14-

Sedán (Supermini car-B Segment)

1.4	Gasolina	FWD	1372	68	92	07.14-	*
1.3 DDiS	Diesel	RWD	1248	66	90	07.14-	*

SUZUKI

01.22-

SUV ()

1.4 Smart Hybrid (AKP414, AKK414)	Gasol./el éc.	FWD	1373	95	129	01.22-	*
1.4 Smart Hybrid AllGrip (AKP414, AKK414)	Gasol./el éc.	4WD	1373	95	129	01.22-	*
1.5 Hybrid (AKK415)	Gasol./el éc.	FWD	1462	85	116	01.22-	*
1.5 Hybrid AllGrip (AKK415)	Gasol./el éc.	4WD	1462	85	116	01.22-	*

BALENO II (FW, EW) 02.16-

[CAMBIADO]:Fastback (Supermini car-B Segment)

1.0 (A1K310) (K10C)	Gasolina	FWD	998	82	111	02.16-	*
1.2 (A1K412) (K12C)	Gasolina	FWD	1242	66	90	02.16-	*
1.2 (K12C)	Gasolina	FWD	1242	67	91	02.16-	*
1.4 (K14B)	Gasolina	FWD	1372	68	92	06.16-	*
1.2 Hybrid (A1K412) (K12C)	Gasol./el éc.	FWD	1242	66	90	02.16-	*

CIAZ / ALIVIO (VC) 05.15-

Sedán (Supermini car-B Segment)

1.2	Gasolina	FWD	1242	67	91	05.15-	*
1.4	Gasolina	FWD	1372	68	92	05.15-	*
1.4 (AVB414) (K14B)	Gasolina	FWD	1372	69	94	05.15-	*
1.4	Gasolina	FWD	1372	74	100	05.15-	*

LISTA DE APLICACIONES - BUYERS GUIDE

					[CAMBIADO]:Fastback (Supermini car-B Segment)				
SWIFT IV (FZ, NZ) 10.10-									
1.2 (AZG412, ZC72S) (K12B)	Gasolina	FWD	1242	66	90	10.10-04.17	*		
1.2 4x4 (AZG412, ZD72S) (K12B)	Gasolina	4WD	1242	66	90	10.10-04.17	*		
1.2 (AZH412, AZG412, ZC72S) (K12B)	Gasolina	FWD	1242	67	91	08.12-04.17	*		
1.2 4WD (AZH412, AZG412, ZD72S) (K12B)	Gasolina	4WD	1242	67	91	08.12-04.17	*		
1.2 (AZH412, ZC72S) (K12B)	Gasolina	FWD	1242	69	94	10.10-04.17	*		
1.2 4x4 (AZH412, ZD72S) (K12B)	Gasolina	4WD	1242	69	94	10.10-04.17	*		
1.4 (AZH414, AZG414) (K14B)	Gasolina	FWD	1372	70	95	02.11-04.17	*		
1.4	Gasolina	FWD	1372	75	100	01.12-	*		
1.6 (AZG416, AZH416, RS416, ZC32S, ZA32S) (M16A)	Gasolina	FWD	1586	100	136	01.12-04.17	*		
1.3 DDiS (AZG413D, ZC02S, ZC92S) (D13A)	Diesel	FWD	1248	55	75	10.10-04.17	*		
1.3 DDiS (AZG413D, ZC02S, ZC92S) (D13AA)	Diesel	FWD	1248	55	75	10.10-04.17	*		
SWIFT V (AZ) 01.17-					[CAMBIADO]:Fastback (Supermini car-B Segment)				
1.0 (A2L310) (K10C)	Gasolina	FWD	998	82	111	04.17-	*		
1.2 (A2L412, ZC83S) (K12C)	Gasolina	FWD	1242	66	90	04.17-	*		
1.2 AllGrip (A2L412) (K12C)	Gasolina	4WD	1242	66	90	04.17-	*		
1.4 Sport (A2L414, ZC33S) (K14C)	Gasolina	FWD	1373	103	140	09.17-	*		
1.0 SHVS (A2L310) (K10C)	Gasol./el éc.	FWD	998	82	111	04.17-	*		
1.2 Hybrid (Mild Hybrid) AllGrip (A2L412) (K12M)	Gasol./el éc.	FWD	1197	61	83	06.20-	*		
1.2 Hybrid (Mild Hybrid) AllGrip (A2L412) (K12M)	Gasol./el éc.	4WD	1197	61	83	06.20-	*		
1.2 SHVS (A2L412) (K12CS)	Gasol./el éc.	FWD	1242	66	90	04.17-	*		
1.2 SHVS AllGrip (A2L412) (K12CS)	Gasol./el éc.	4WD	1242	66	90	04.17-	*		
1.4 Sport SHVS (K14D)	Gasol./el éc.	FWD	1373	95	129	03.20-	*		
SX4 S-Cross (JY) 08.13-					[CAMBIADO]:Fastback (Subcompact CUV-B Segment)				
1.0 (AKK 310) (K10C)	Gasolina	FWD	998	82	111	08.16-06.22	*		
1.0 AllGrip (AKK 310) (K10C)	Gasolina	4WD	998	82	111	08.16-06.22	*		
1.4 T (AKK414) (K14C)	Gasolina	FWD	1373	103	140	08.16-06.22	*		
1.4 T AllGrip (AKK414) (K14C)	Gasolina	4WD	1373	103	140	08.16-06.22	*		
1.6 (AKK416) (M16A)	Gasolina	FWD	1586	85	116	12.13-06.22	*		
1.6 AllGrip (AKK416) (M16A)	Gasolina	4WD	1586	85	116	12.13-06.22	*		
1.6 (AKK416, YA22S) (M16A)	Gasolina	FWD	1586	86	117	12.13-06.22	*		
1.6 AllGrip (AKK416, YB22S) (M16A)	Gasolina	4WD	1586	86	117	12.13-06.22	*		
1.6 (AKK416) (M16A)	Gasolina	FWD	1586	87	118	01.14-06.22	*		
1.6 (AKK416) (M16A)	Gasolina	FWD	1586	88	120	08.13-06.22	*		
1.6 AllGrip (AKK416) (M16A)	Gasolina	4WD	1586	88	120	08.13-06.22	*		
1.4 Hybrid (Mild Hybrid) AllGrip (APK414) (K14D)	Gasol./el éc.	4WD	1373	95	129	08.19-06.22	*		
1.4 Hybrid (Mild Hybrid) AllGrip (APK414) (K14D)	Gasol./el éc.	FWD	1373	95	129	08.19-06.22	*		
1.6 DDiS (AKK 416D) (D16AA)	Diesel	FWD	1598	88	120	08.13-06.22	*		
1.6 DDiS AllGrip (AKK 416D) (D16AA)	Diesel	4WD	1598	88	120	08.13-06.22	*		
VITARA IV (LY) 02.15-					SUV (Mini SUV-J Segment)				
1.0 (APK 310) (K10C)	Gasolina	FWD	998	82	111	10.18-	*		
1.0 AllGrip (APK 310) (K10C)	Gasolina	4WD	998	82	111	10.18-	*		
1.4 T (APK414) (K14C)	Gasolina	FWD	1373	103	140	09.15-	*		
1.4 T AllGrip (APK414) (K14C)	Gasolina	4WD	1373	103	140	09.15-	*		
1.6 (APK416, YD21S) (M16A)	Gasolina	FWD	1586	86	117	05.15-	*		

LISTA DE APLICACIONES - BUYERS GUIDE

1.6 AllGrip (APK416, YE21S, YD21S) (M16A)	Gasolina	4WD	1586	86	117	05.15-	*
1.6 (APK 416) (M16A)	Gasolina	FWD	1586	88	120	02.15-	*
1.6 AllGrip (APK 416) (M16A)	Gasolina	4WD	1586	88	120	02.15-	*
1.6 VVT AllGrip (M16A)	Gasolina	4WD	1586	93	126	08.16-	*
2.0 (SV 420)	Gasolina	FWD	1995	101	137	10.16-	*
1.4 Hybrid (Mild Hybrid) AllGrip (APK414)	Gasol./el éc./biogás	4WD	1373	95	129	08.23-	*
1.4 Hybrid (Mild Hybrid) AllGrip (APK414) (K14D)	Gasol./el éc.	4WD	1373	95	129	07.19-	*
1.4 Hybrid (Mild Hybrid) AllGrip (APK414) (K14D)	Gasol./el éc.	FWD	1373	95	129	07.19-	*
1.6 DDiS (APK 416D) (D16AA)	Diesel	FWD	1598	88	120	02.15-	*
1.6 DDiS AllGrip (APK416D) (D16AA)	Diesel	4WD	1598	88	120	02.15-	*
SUZUKI (CHANGAN)							
ALIVIO 01.15-				Sedán (Supermini car-B Segment)			
1.6 (CAS16)	Gasolina	FWD	1586	90	122	01.15-	*
SX4 S-Cross 11.13-				[CAMBIADO]:Fastback (Subcompact CUV-B Segment)			
1.4 T	Gasolina	FWD	1373	103	140	08.15-	*
1.4 T A las 4 ruedas	Gasolina	FWD	1373	103	140	08.15-	*
VITARA (LY) 11.15-				Closed SUV (Mini SUV-J Segment)			
1.4	Gasolina	FWD	1373	103	140	11.15-	*
1.4	Gasolina	FWD	1373	103	140	11.15-	*
1.6	Gasolina	FWD	1586	90	122	11.15-	*
TOYOTA							
GLANZA (K12#) 06.19-				[CAMBIADO]:Fastback (Supermini car-B Segment)			
1.2 (K12M)	Gasolina	FWD	1197	61	83	06.19-	*
1.2 (K12N)	Gasolina	FWD	1197	66	90	06.19-	*
STARLET (K14B) 08.20-				[CAMBIADO]:Fastback (Supermini car-B Segment)			
1.4 (K14B) (K14B)	Gasolina	FWD	1372	68	92	08.20-	*