

LISTA DE APLICACIONES - BUYERS GUIDE

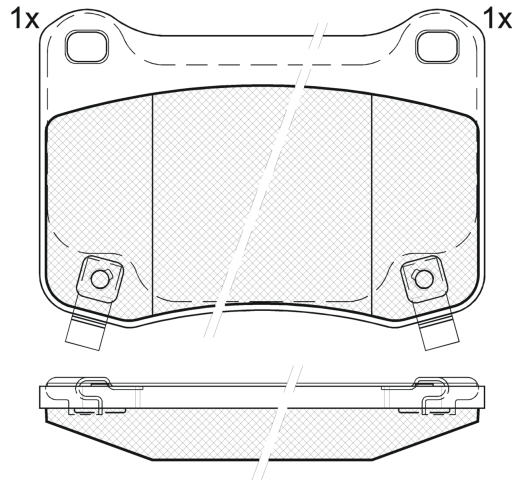
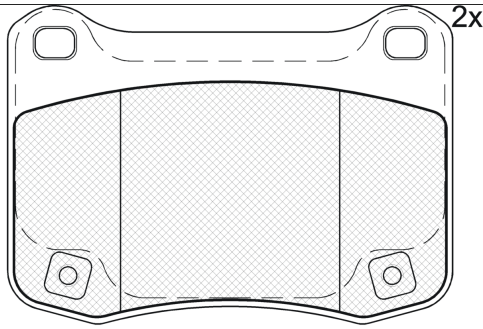
RB2015



Qty: 300

Weight: 1.585

O.E.M.	MAKE
04466-0W030	LEXUS
04466-0W031	LEXUS



RB2015

E 9 90R-01111/2882



Brembo

101.6x72.6x17.5

WVA	FMSI
24401	D1366-8476
24402	
25152	

Sin Filas



Trac.	CC	Kw	CV
-------	----	----	----



Front / Rear

LEXUS

IS II (_E2_) 08.05-04.13

Sedán (Executive car-E Segment)

IS F (USE20) (2UR-GSE)	Gasolina	RWD	4969	311	423	11.07-03.13	*
------------------------	----------	-----	------	-----	-----	-------------	---