

# LISTA DE APLICACIONES - BUYERS GUIDE

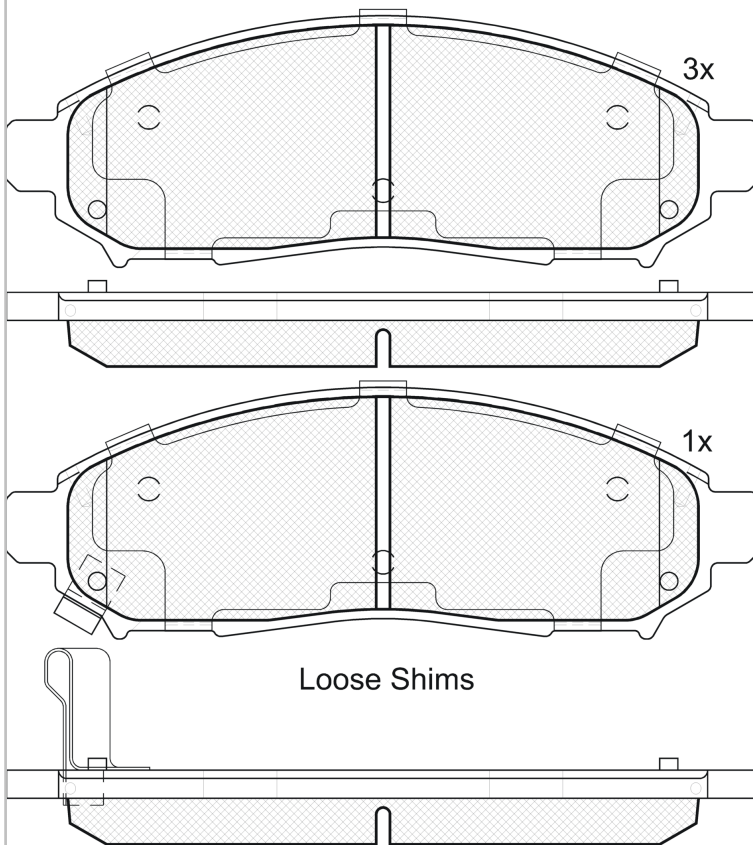
## RB2003



Qty: 300

Weight: 1.860

O.E.M.	MAKE
41060-EA025	NISSAN
41060-EB326	NISSAN
41060ZP00A	NISSAN
41060-ZP00B	NISSAN
41060-ZP025	NISSAN
55210-82Z00	SUZUKI
AY040-NS130	NISSAN
D1060-063VA	NISSAN
D1060-98T0C	NISSAN
D1060EB70A	NISSAN
D1060-EB71A	NISSAN
D1060JR70A	NISSAN
D1060-ZP00C	NISSAN
DA060-004VA	NISSAN
DA060-EB326	NISSAN



## RB2003

E 9 90R-01111/1300



Tokico

163.6x54.6x16.7

WVA	FMSI
24227	D1094-8200
24228	D1900-8200

Sin Filas



Trac.	CC	Kw	CV
-------	----	----	----



Front / Rear

### NISSAN

#### FRONTIER II (D40) 01.04-

#### Pick-up (Pick-Up Truck)

2.4	Gasolina	FWD	2389	105	143	01.11-	*
4.0	Gasolina	FWD	3954	192	261	01.11-	*
4.0	Gasolina	FWD	3954	192	261	01.11-	*

#### NP300 NAVARA II / FRONTIER (D40) 07.08-

#### Caja/Chasis (LCVs-N1 Segment)

2.5 dCi	Diesel	RWD	2488	106	144	08.08-12.15	*
2.5 dCi 4WD (YD25DDTI)	Diesel	4WD	2488	106	144	08.08-	*
2.5 dCi 4WD (YD25DDTI)	Diesel	4WD	2488	126	171	08.08-	*
2.5 dCi (YD25DDTI)	Diesel	4WD	2488	140	190	03.10-	*
3.0 dCi (V9X)	Diesel	4WD	2993	170	231	03.10-	*

#### NP300 NAVARA II / FRONTIER (D40) 10.04-

#### Pick-up (Pick-Up Truck)

2.0	Gasolina	FWD	1998	84	114	08.08-	*
2.4	Gasolina	FWD	2389	105	143	08.08-	*
2.4 4x4	Gasolina	4WD	2389	105	143	08.08-	*
2.4	Gasolina	FWD	2389	107	146	09.13-	*
4.0 (VQ40)	Gasolina	RWD	3954	198	269	10.04-11.09	*
4.0 4WD	Gasolina	4WD	3954	198	269	10.04-	*
2.5 dCi (YD25DDTI)	Diesel	RWD	2488	98	133	04.08-	*
2.5 dCi 4x4 (YD25DDTI)	Diesel	4WD	2488	98	133	04.08-	*
2.5 dCi (YD25DDTI)	Diesel	RWD	2488	106	144	07.05-	*
2.5 dCi 4WD (YD25DDTI)	Diesel	4WD	2488	106	144	01.07-	*
2.5 dCi (YD25DDTI)	Diesel	RWD	2488	120	163	10.06-	*
2.5 dCi 4x4	Diesel	4WD	2488	120	163	02.12-12.16	*

# LISTA DE APLICACIONES - BUYERS GUIDE

2.5 dCi 4WD (YD25DDTI)		Diesel	4WD	2488	126	171	10.06-	*	
2.5 dCi (YD25DDTI)		Diesel	RWD	2488	128	174	12.05-	*	
2.5 dCi 4WD (YD25DDTI)		Diesel	4WD	2488	128	174	07.05-	*	
2.5 dCi		Diesel	RWD	2488	140	190	10.04-07.05	*	
2.5 dCi 4WD (D40TT, D40T, D40M, D40BB) (YD25DDTI)		Diesel	4WD	2488	140	190	12.09-	*	
2.8 D		Diesel	RWD	2798	101	137	10.04-	*	
2.8 TDI		Diesel	RWD	2798	103	140	01.05-09.08	*	
2.8 TDI		Diesel	RWD	2798	103	140	08.05-09.08	*	
3.0 dCi 4WD (V9X)		Diesel	4WD	2993	170	231	02.10-	*	
<b>PATHFINDER III / / TERRANO / ARMADA (R51) 01.05-</b>					<b>SUV (Executive SUV-J Segment)</b>				
4.0		Gasolina	RWD	3954	198	269	01.05-	*	
4.0 4WD (VQ40DE)		Gasolina	4WD	3954	198	269	09.05-	*	
4.0 (VQ40DE)		Gasolina	RWD	3954	214	291	01.10-08.14	*	
4.0 4WD (VQ40DE)		Gasolina	4WD	3954	214	291	01.10-08.14	*	
2.5 dCi 4WD (YD25DDTI)		Diesel	4WD	2488	120	163	01.05-	*	
2.5 dCi 4WD (YD25DDTI)		Diesel	4WD	2488	126	171	10.06-	*	
2.5 dCi (YD25DDTI)		Diesel	RWD	2488	128	174	01.05-01.10	*	
2.5 dCi 4WD (YD25DDTI)		Diesel	4WD	2488	128	174	01.05-01.10	*	
2.5 dCi		Diesel	RWD	2488	140	190	10.12-08.14	*	
2.5 dCi 4WD (YD25DDTI)		Diesel	4WD	2488	140	190	08.10-	*	
3.0 dCi (V9X)		Diesel	4WD	2993	170	231	08.10-	*	
<b>PATHFINDER III VAN / / TERRANO / ARMADA (R51_) 01.05-</b>					<b>Furgoneta/SUV (Executive SUV-J Segment)</b>				
2.5 dCi 4x4 (R51M)		Diesel	4WD	2488	140	190	03.13-08.14	*	
<b>XTERRA (WD22_) 01.99-08.08</b>					<b>SUV (Compact SUV-J Segment)</b>				
4.0 24V		Gasolina	FWD	3995	198	269	01.99-	*	
4.0 24V 4WD		Gasolina	FWD	3995	198	269	01.99-	*	
<b>XTERRA II / PALADIN (N50) 01.05-</b>					<b>SUV (Compact SUV-J Segment)</b>				
4.0 4x4 (VQ40DE)		Gasolina	4WD	3954	195	265	09.08-	*	
4.0 4x4 (VQ40DE)		Gasolina	4WD	3954	198	269	01.05-	*	
4.0 4x4		Gasolina	4WD	3954	214	291	01.10-	*	
<b>SUZUKI</b>									
<b>EQUATOR (U.S.A.) 09.08-12.11</b>					<b>Pick-up (Pick-Up Truck)</b>				
2.5 16V 4WD Crew Cab		Gasolina	FWD	2495			09.08-	*	
4.0 24V 4WD Extended Cab		Gasolina	FWD	3995			09.08-	*	