

# LISTA DE APLICACIONES - BUYERS GUIDE

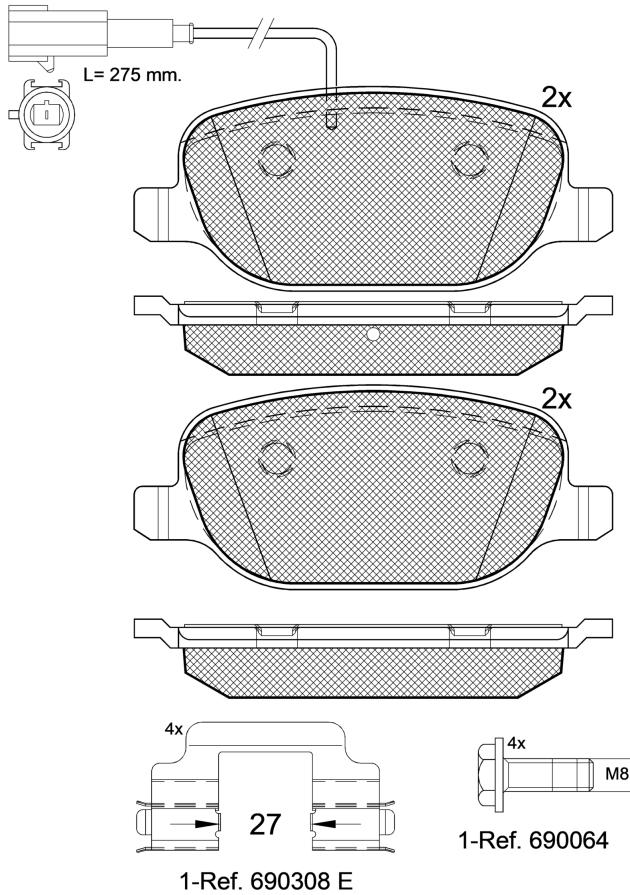
## RB1996-203



Qty: 944

Weight: 1.275

| O.E.M.        | MAKE       |
|---------------|------------|
| 6 824 054 0AA | ALFA ROMEO |
| 7 736 675 3   | ALFA ROMEO |



## RB1996-203

E 9 90R-02A0110/3830



Trw

116.65x49.9x17.8

| WVA   | FMSI       |
|-------|------------|
| 22072 | D1822-9058 |
| 23760 |            |
| 23811 |            |

Sin Filas



| Trac. | CC | Kw | CV |
|-------|----|----|----|
|-------|----|----|----|



Front / Rear

### ALFA ROMEO

|                                                |  |          |     |      |     | Coupé (Sport executive car-D Segment)         |             |  |   |  |  |
|------------------------------------------------|--|----------|-----|------|-----|-----------------------------------------------|-------------|--|---|--|--|
| <b>4C (960_) 03.13-</b>                        |  |          |     |      |     |                                               |             |  |   |  |  |
| 1.8 (960.CXB1A) (960 A1.000)                   |  | Gasolina | RWD | 1742 | 177 | 241                                           | 03.13-12.20 |  | * |  |  |
| <b>4C Spider (960_) 10.14-</b>                 |  |          |     |      |     | Cabrío (Sport executive car-D Segment)        |             |  |   |  |  |
| 1.8 (960.DXB1A, 960CXB1A) (960 A1.000)         |  | Gasolina | RWD | 1742 | 177 | 241                                           | 10.14-12.20 |  | * |  |  |
| <b>MITO (955_) 08.08-</b>                      |  |          |     |      |     | [CAMBIADO]:Fastback (Supermini car-B Segment) |             |  |   |  |  |
| 0.9 TwinAir (955AXY1B, 955AXZ1B) (199 B6.000)  |  | Gasolina | FWD | 875  | 74  | 101                                           | 12.13-08.18 |  | * |  |  |
| 0.9 TwinAir (955AXY1B) (199 B6.000)            |  | Gasolina | FWD | 875  | 77  | 105                                           | 04.13-08.18 |  | * |  |  |
| 1.4 TB (955.AYB11, 955.AXB1B) (955 B1.000)     |  | Gasolina | FWD | 1368 | 103 | 140                                           | 12.13-10.18 |  | * |  |  |
| 1.3 MultiJet (955AXT1A, 955AYA1A) (199 B8.000) |  | Diesel   | FWD | 1248 | 59  | 80                                            | 12.13-12.15 |  | * |  |  |