

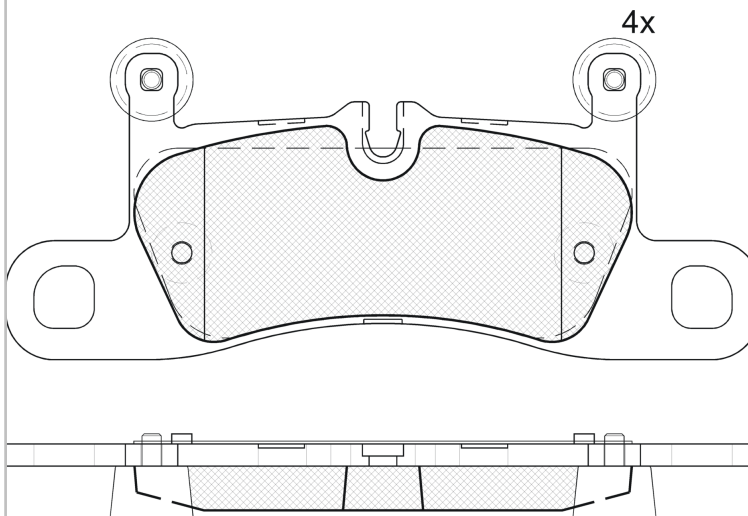
LISTA DE APLICACIONES - BUYERS GUIDE

RB1987



Qty: 300 Weight: 2.370

O.E.M.	MAKE
7P0 698 451	VW
7P0 698 451 A	VW
7P6 698 451	VW
7P6 698 451 C	VW
958 352 939 00	PORSCHE
958 352 939 81	PORSCHE
JZW 698 451 R	VW



RB1987

E 9 90R-01111/2755



Brembo

187.5x76.1x17.2

WVA 24721	FMSI D1453-8643
Sin Filas	



Trac.	CC	Kw	CV
-------	----	----	----



Front / Rear

PORSCHE

CAYENNE II (92A) 05.10-	SUV (Luxury Crossover SUV-J Segment)						
3.0S	Gasolina	4WD	2995	245	333	05.10-05.11	*
3.6 (M 55.02)	Gasolina	4WD	3598	220	300	06.10-12.18	*
3.6 (MCE.YA)	Gasolina	4WD	3598	220	300	06.10-12.18	*
3.6 S (MCU.RA)	Gasolina	4WD	3604	309	420	10.14-05.18	*
3.6 GTS (MCX.ZA)	Gasolina	4WD	3604	324	440	02.15-05.18	*
4.8 S (M 48.02)	Gasolina	4WD	4806	294	400	06.10-05.14	*
4.8 GTS (M 48.02)	Gasolina	4WD	4806	309	420	06.12-05.18	*
4.8 Turbo (M 48.52)	Gasolina	4WD	4806	368	500	06.10-05.14	*
4.8 Turbo (MCF.TB)	Gasolina	4WD	4806	382	520	10.14-05.18	*
4.8 Turbo (M 48.52)	Gasolina	4WD	4806	397	540	06.10-05.14	*
4.8 Turbo S (M 48.52)	Gasolina	4WD	4806	405	550	10.12-05.14	*
3.0 S E-Hybrid (M 06.EC)	Gasol./el éc.	4WD	2995	306	416	05.11-05.17	*
3.0 S E-Hybrid (MCG.E)	Gasol./el éc.	4WD	2995	306	416	05.11-05.17	*
3.0 S E-Hybrid (MCG.EA)	Gasol./el éc.	4WD	2995	306	416	05.11-05.17	*
3.0 S E-Hybrid (MCG.FA)	Gasol./el éc.	4WD	2995	306	416	05.11-05.17	*
3.0 S E-Hybrid (M 06.EC)	Gasol./el éc.	4WD	2995	306	416	10.14-	*
3.0 S E-Hybrid (MCG.E)	Gasol./el éc.	4WD	2995	306	416	10.14-	*
3.0 S E-Hybrid (MCG.EA)	Gasol./el éc.	4WD	2995	306	416	10.14-	*
3.0 S E-Hybrid (MCG.FA)	Gasol./el éc.	4WD	2995	306	416	10.14-	*

LISTA DE APLICACIONES - BUYERS GUIDE

3.0 Diesel (MCR.CB)		Diesel	4WD	2967	155	211	06.10-05.18	*
3.0 Diesel (MCV.VC)		Diesel	4WD	2967	155	211	06.10-05.18	*
3.0 Diesel (M 05.9E)		Diesel	4WD	2967	176	239	06.10-05.18	*
3.0 Diesel (MCN.RB)		Diesel	4WD	2967	176	239	06.10-05.18	*
3.0 Diesel (MCR.C)		Diesel	4WD	2967	180	245	06.11-05.18	*
3.0 Diesel (MCR.CA)		Diesel	4WD	2967	180	245	06.11-05.18	*
3.0 Diesel (MCV.VB)		Diesel	4WD	2967	184	250	08.14-05.18	*
3.0 Diesel (MCV.VA)		Diesel	4WD	2967	193	262	10.14-05.18	*
4.2 S Diesel (MCU.DB)		Diesel	4WD	4134	281	382	10.12-05.14	*
4.2 S Diesel (MCU.DC)		Diesel	4WD	4134	283	385	10.14-05.18	*
CAYENNE III (9YA) 05.17-					SUV (Luxury Crossover SUV-J Segment)			
3.0 AWD (9YAAI1)		Gasolina	4WD	2995	260	354	04.23-	*
4.0 GTS AWD (9YBBG1)		Gasolina	4WD	3996	338	460	05.17-05.23	*
3.0 E-Hybrid AWD (9YAAV1)		Gasol./el éc.	4WD	2995	346	470	06.23-	*
3.0 E-Hybrid AWD (9YBAV1)		Gasol./el éc.	4WD	2995	346	470	06.23-	*
VW								
TOUAREG II (7P5) 01.10-12.18					Furgoneta/SUV (Luxury Crossover SUV-J Segment)			
3.0 TDI 4motion		Diesel	4WD	2967	180	245	05.11-12.14	*
TOUAREG II (7P5, 7P6) 01.10-					SUV (Luxury Crossover SUV-J Segment)			
3.0 V6 TSI (CJTA)		Gasolina	4WD	2995	213	290	08.10-03.18	*
3.6 V6 FSI (CMTA)		Gasolina	4WD	3597	183	249	08.10-03.18	*
3.6 V6 FSI (CGRA)		Gasolina	4WD	3597	206	280	04.10-03.18	*
4.2 V8 FSI (CGNA)		Gasolina	4WD	4163	265	360	01.11-03.18	*
3.0 V6 TSI Hybrid (CGEA)		Gasol./el éc.	4WD	2995	279	379	04.10-03.18	*
3.0 V6 TSI Hybrid (CGFA)		Gasol./el éc.	4WD	2995	279	379	04.10-03.18	*
3.0 V6 TDI (CASD)		Diesel	4WD	2967	150	204	01.10-03.18	*
3.0 V6 TDI (CJMA)		Diesel	4WD	2967	150	204	01.10-03.18	*
3.0 V6 TDI (CRCD)		Diesel	4WD	2967	150	204	01.10-03.18	*
3.0 V6 TDI (CVWA)		Diesel	4WD	2967	150	204	01.10-03.18	*
3.0 V6 TDI (CATA)		Diesel	4WD	2967	165	225	06.10-03.18	*
3.0 V6 TDI (CASA)		Diesel	4WD	2967	176	240	01.10-03.18	*
3.0 V6 TDI (CNRB)		Diesel	4WD	2967	176	240	01.10-03.18	*
3.0 V6 TDI (CJGD)		Diesel	4WD	2967	180	245	05.11-03.18	*
3.0 V6 TDI (CRCA)		Diesel	4WD	2967	180	245	05.11-03.18	*
3.0 V6 TDI (CVVA)		Diesel	4WD	2967	193	262	09.14-03.18	*
4.2 V8 TDI (CKDA)		Diesel	4WD	4134	250	340	01.10-03.18	*
TOUAREG III (CR7, RC8) 11.17-					SUV (Luxury Crossover SUV-J Segment)			
3.0 TDI 4motion (DENA)		Diesel	4WD	2967	210	286	11.17-	*