

LISTA DE APLICACIONES - BUYERS GUIDE

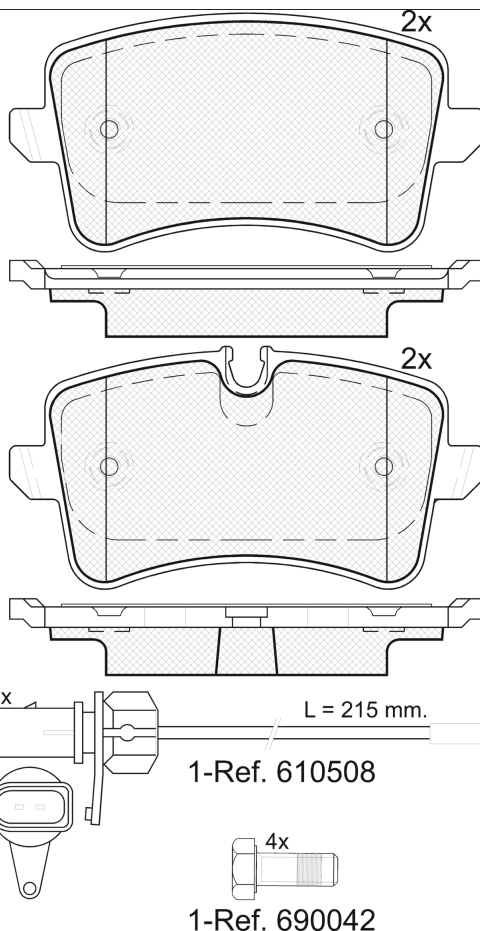
RB1986-203



Qty: 300

Weight: 1.335

O.E.M.	MAKE
4G0 698 451	AUDI
4G0 698 451 A	AUDI
4G0 698 451 B	AUDI
4G0 698 451 C	AUDI
4G0 698 451 J	AUDI
4G0 698 451 K	AUDI
4G0698451L	AUDI
4GD 698 451	AUDI
4GD 698 451 A	AUDI
95B 698 451 E	PORSCHE
95B 698 451 H	PORSCHE
9A7 698 451 00	PORSCHE



RB1986-203

E 9 90R-01111/3136



Trw

116.5x58.6x17.4
116.5x59.6x17.4

WVA	FMSI
24606	D1547-8785
25214	

Sin Filas



	Trac.	CC	Kw	CV			Front / Rear
--	-------	----	----	----	--	--	--------------

AUDI

A4 IV B8 Avant (8K5) 11.07-06.17									[CAMBIADO]:Break (Compact executive car-D Segment)
RS4 quattro (CFSA)	Gasolina	4WD	4163	331	450	05.12-08.15		*	
A5 (8F7) 02.09-10.17									Cabrío (Compact executive car-D Segment)
RS5 quattro (CFSA)	Gasolina	4WD	4163	331	450	11.12-08.15		*	
A5 (8T3) 06.07-10.17									Coupé (Compact executive car-D Segment)
RS5 quattro (CFSA)	Gasolina	4WD	4163	331	450	03.10-01.17		*	
A6 IV Allroad C7 (4GH, 4GJ) 01.12-									[CAMBIADO]:Break (Executive car-E Segment)
3.0 TFSI quattro (CGWD)	Gasolina	4WD	2995	228	310	01.12-12.14		*	
3.0 TFSI quattro (CREC)	Gasolina	4WD	2995	245	333	09.14-09.18		*	
3.0 TDI quattro (CZVF)	Diesel	4WD	2967	140	190	11.15-09.18		*	
3.0 TDI quattro (CLAA)	Diesel	4WD	2967	150	204	01.12-12.14		*	
3.0 TDI quattro (CRTF)	Diesel	4WD	2967	155	211	09.14-09.18		*	
3.0 TDI quattro (CZVC)	Diesel	4WD	2967	155	211	09.14-09.18		*	
3.0 TDI quattro (CRTE)	Diesel	4WD	2967	160	218	09.14-09.18		*	
3.0 TDI quattro (CZVA)	Diesel	4WD	2967	160	218	09.14-09.18		*	
3.0 TDI quattro (CDUD)	Diesel	4WD	2967	180	245	01.12-06.16		*	
3.0 TDI quattro (CKVC)	Diesel	4WD	2967	180	245	01.12-06.16		*	
3.0 TDI quattro (CRTD)	Diesel	4WD	2967	200	272	09.14-09.18		*	
3.0 TDI quattro (CGQB)	Diesel	4WD	2967	230	313	01.12-12.14		*	
3.0 TDI quattro (CVUA)	Diesel	4WD	2967	235	320	01.12-09.18		*	
A6 IV C7 (4G2, 4GC) 11.10-									Sedán (Executive car-E Segment)
1.8 TFSI (CYGA)	Gasolina	FWD	1798	140	190	09.14-09.18		*	

LISTA DE APLICACIONES - BUYERS GUIDE

2.0 TFSI (CDNB)		Gasolina	FWD	1984	132	180	05.11-09.18	*
2.0 TFSI (CAEB)		Gasolina	FWD	1984	155	211	03.11-05.13	*
2.0 TFSI quattro (CAEB)		Gasolina	4WD	1984	155	211	05.12-04.15	*
2.0 TFSI (CAED)		Gasolina	FWD	1984	162	220	05.13-09.18	*
2.0 TFSI quattro (CYPB)		Gasolina	4WD	1984	183	249	05.15-09.18	*
2.0 TFSI (CYNB)		Gasolina	FWD	1984	185	252	09.14-09.18	*
2.0 TFSI (CYPA)		Gasolina	FWD	1984	185	252	09.14-09.18	*
2.0 TFSI quattro (CYNB)		Gasolina	4WD	1984	185	252	05.14-09.18	*
2.0 TFSI quattro (CYPA)		Gasolina	4WD	1984	185	252	05.14-09.18	*
2.8 FSI (CHVA)		Gasolina	FWD	2773	150	204	11.10-04.15	*
2.8 FSI quattro (CHVA)		Gasolina	4WD	2773	150	204	11.10-04.15	*
2.8 FSI quattro (CVPA)		Gasolina	4WD	2773	162	220	09.14-09.18	*
3.0		Gasolina	FWD	2995	213	290	11.11-	*
3.0		Gasolina	FWD	2995	213	290	11.11-	*
3.0 TFSI quattro (CCAA)		Gasolina	4WD	2995	220	300	11.10-05.12	*
3.0 TFSI quattro (CGWB)		Gasolina	4WD	2995	220	300	11.10-05.12	*
3.0 TFSI quattro (CGWD)		Gasolina	4WD	2995	228	310	03.11-09.18	*
3.0 TFSI quattro (CGXB)		Gasolina	4WD	2995	228	310	03.11-09.18	*
3.0 TFSI quattro (CTUA)		Gasolina	4WD	2995	228	310	03.11-09.18	*
3.0 TFSI quattro (CREC)		Gasolina	4WD	2995	245	333	09.14-09.18	*
3.0 TFSI quattro		Gasolina	4WD	2995	250	340	09.16-09.18	*
S6 quattro (CEUC)		Gasolina	4WD	3993	309	420	02.12-09.18	*
S6 quattro (CTGE)		Gasolina	4WD	3993	331	450	10.14-09.18	*
2.0 TFSI Hybrid (CHJA)		Gasol./el éc.	FWD	1984	180	245	11.11-04.15	*
2.0 TDI (CGLE)		Diesel	FWD	1968	100	136	01.12-09.18	*
2.0 TDI (CSUE)		Diesel	FWD	1968	100	136	01.12-09.18	*
2.0 TDI (CSUD)		Diesel	FWD	1968	110	150	09.14-09.18	*
2.0 TDI (DDCB)		Diesel	FWD	1968	110	150	09.14-09.18	*
2.0 TDI (CGLD)		Diesel	FWD	1968	120	163	03.11-09.18	*
2.0 TDI (CGLC)		Diesel	FWD	1968	130	177	03.11-09.18	*
2.0 TDI (CMGB)		Diesel	FWD	1968	130	177	03.11-09.18	*
2.0 TDI (CNHA)		Diesel	FWD	1968	140	190	11.13-09.18	*
2.0 TDI (CZJA)		Diesel	FWD	1968	140	190	11.13-09.18	*
2.0 TDI (DDDA)		Diesel	FWD	1968	140	190	11.13-09.18	*
2.0 TDI quattro (CNHA)		Diesel	4WD	1968	140	190	04.15-09.18	*
2.0 TDI quattro (DDDA)		Diesel	4WD	1968	140	190	04.15-09.18	*
2.1 TDI		Diesel	FWD	1968	140	190	01.15-09.18	*
3.0 TDI (CLAB)		Diesel	FWD	2967	150	204	11.10-09.18	*
3.0 TDI quattro (CLAA)		Diesel	4WD	2967	150	204	03.11-09.18	*
3.0 TDI (CTCB)		Diesel	FWD	2967	155	211	09.14-09.18	*
3.0 TDI (CZVD)		Diesel	FWD	2967	155	211	09.14-09.18	*
3.0 TDI quattro (CRTF)		Diesel	4WD	2967	155	211	09.14-09.18	*
3.0 TDI quattro (CZVC)		Diesel	4WD	2967	155	211	09.14-09.18	*
3.0 TDI (CTCC)		Diesel	FWD	2967	160	218	09.14-09.18	*
3.0 TDI (CZVB)		Diesel	FWD	2967	160	218	09.14-09.18	*
3.0 TDI quattro (CRTE)		Diesel	4WD	2967	160	218	09.14-09.18	*
3.0 TDI quattro (CZVA)		Diesel	4WD	2967	160	218	09.14-09.18	*
3.0 TDI quattro (CDUC)		Diesel	4WD	2967	180	245	03.11-09.18	*
3.0 TDI quattro (CDUD)		Diesel	4WD	2967	180	245	03.11-09.18	*
3.0 TDI quattro (CKVB)		Diesel	4WD	2967	180	245	03.11-09.18	*
3.0 TDI quattro (CKVC)		Diesel	4WD	2967	180	245	03.11-09.18	*

LISTA DE APLICACIONES - BUYERS GUIDE

3.0 TDI quattro (CRTD)		Diesel	4WD	2967	200	272	09.14-09.18	*
3.0 TDI quattro (CGQB)		Diesel	4WD	2967	230	313	11.11-09.18	*
3.0 TDI quattro (CVUA)		Diesel	4WD	2967	235	320	09.14-09.18	*
3.0 TDI quattro (CVUB)		Diesel	4WD	2967	240	326	09.14-09.18	*
A6 IV C7 Avant (4G5, 4GD) 05.11-							[CAMBIADO]:Break (Executive car-E Segment)	
1.8 TFSI (CYGA)		Gasolina	FWD	1798	140	190	09.14-09.18	*
2.0 TFSI (CDNB)		Gasolina	FWD	1984	132	180	06.11-09.18	*
2.0 TFSI quattro (CYPB)		Gasolina	4WD	1984	183	249	05.15-09.18	*
2.0 TFSI (CYNB)		Gasolina	FWD	1984	185	252	09.14-09.18	*
2.0 TFSI (CYPA)		Gasolina	FWD	1984	185	252	09.14-09.18	*
2.0 TFSI quattro (CYPA)		Gasolina	4WD	1984	185	252	05.15-09.18	*
2.8 FSI (CHVA)		Gasolina	FWD	2773	150	204	05.11-04.15	*
2.8 FSI quattro (CHVA)		Gasolina	4WD	2773	150	204	05.11-04.15	*
2.8 FSI quattro (CVPA)		Gasolina	4WD	2773	162	220	09.14-09.18	*
3.0 TFSI quattro (CGWB)		Gasolina	4WD	2995	220	300	05.11-05.12	*
3.0 TFSI quattro (CGWD)		Gasolina	4WD	2995	228	310	11.11-09.18	*
3.0 TFSI quattro (CREC)		Gasolina	4WD	2995	245	333	09.14-09.18	*
S6 quattro (CEUC)		Gasolina	4WD	3993	309	420	02.12-09.18	*
S6 quattro (CTGE)		Gasolina	4WD	3993	331	450	10.14-09.18	*
RS6 quattro (CRDB)		Gasolina	4WD	3993	412	560	01.13-09.18	*
RS6 quattro (CWUB)		Gasolina	4WD	3993	412	560	01.13-09.18	*
RS6 performance quattro (CWUC)		Gasolina	4WD	3993	445	605	11.15-09.18	*
2.0 TDI (CGLE)		Diesel	FWD	1968	100	136	01.12-09.18	*
2.0 TDI (CSUE)		Diesel	FWD	1968	100	136	01.12-09.18	*
2.0 TDI (DDCA)		Diesel	FWD	1968	100	136	01.12-09.18	*
2.0 TDI (CSUD)		Diesel	FWD	1968	110	150	09.14-09.18	*
2.0 TDI (DDCB)		Diesel	FWD	1968	110	150	09.14-09.18	*
2.0 TDI (CGLD)		Diesel	FWD	1968	120	163	05.11-09.18	*
2.0 TDI (CGLC)		Diesel	FWD	1968	130	177	05.11-09.18	*
2.0 TDI (CMGB)		Diesel	FWD	1968	130	177	05.11-09.18	*
2.0 TDI (CNHA)		Diesel	FWD	1968	140	190	11.13-09.18	*
2.0 TDI (CZJA)		Diesel	FWD	1968	140	190	11.13-09.18	*
2.0 TDI (DDDA)		Diesel	FWD	1968	140	190	11.13-09.18	*
2.0 TDI quattro (CNHA)		Diesel	4WD	1968	140	190	04.15-09.18	*
2.0 TDI quattro (DDDA)		Diesel	4WD	1968	140	190	04.15-09.18	*
3.0 TDI (CLAB)		Diesel	FWD	2967	150	204	05.11-09.18	*
3.0 TDI quattro (CLAA)		Diesel	4WD	2967	150	204	05.11-09.18	*
3.0 TDI (CTCB)		Diesel	FWD	2967	155	211	09.14-09.18	*
3.0 TDI (CZVD)		Diesel	FWD	2967	155	211	09.14-09.18	*
3.0 TDI quattro (CRTF)		Diesel	4WD	2967	155	211	09.14-09.18	*
3.0 TDI quattro (CZVC)		Diesel	4WD	2967	155	211	09.14-09.18	*
3.0 TDI (CTCC)		Diesel	FWD	2967	160	218	09.14-09.18	*
3.0 TDI (CZVB)		Diesel	FWD	2967	160	218	09.14-09.18	*
3.0 TDI quattro (CRTE)		Diesel	4WD	2967	160	218	09.14-09.18	*
3.0 TDI quattro (CZVA)		Diesel	4WD	2967	160	218	09.14-09.18	*
3.0 TDI quattro (CDUC)		Diesel	4WD	2967	180	245	05.11-09.18	*
3.0 TDI quattro (CDUD)		Diesel	4WD	2967	180	245	05.11-09.18	*
3.0 TDI quattro (CKVB)		Diesel	4WD	2967	180	245	05.11-09.18	*
3.0 TDI quattro (CKVC)		Diesel	4WD	2967	180	245	05.11-09.18	*
3.0 TDI quattro (CRTD)		Diesel	4WD	2967	200	272	09.14-09.18	*
3.0 TDI quattro (CGQB)		Diesel	4WD	2967	230	313	11.11-09.18	*

LISTA DE APLICACIONES - BUYERS GUIDE

3.0 TDI quattro (CVUA)		Diesel	4WD	2967	235	320	09.14-09.18	*
3.0 TDI quattro (CVUB)		Diesel	4WD	2967	240	326	09.14-09.18	*
A6 V Allroad C8 (4AH) 11.18-					[CAMBIADO]:Break (Executive car-E Segment)			
45 TDI Mild Hybrid quattro (DDVE)		Diesel/el éc.	4WD	2967	170	231	11.18-	*
50 TDI Mild Hybrid quattro (DDVB)		Diesel/el éc.	4WD	2967	210	286	11.18-	*
55 TDI Mild Hybrid quattro (DEWA)		Diesel/el éc.	4WD	2967	257	349	03.19-	*
A7 Sportback (4GA, 4GF) 07.10-11.19					[CAMBIADO]:Fastback (Executive car-E Segment)			
1.8 TFSI (CYGA)		Gasolina	FWD	1798	140	190	04.15-05.18	*
2.0 TFSI quattro (CYPB)		Gasolina	4WD	1984	183	249	05.15-05.18	*
2.0 TFSI (CYPA)		Gasolina	FWD	1984	185	252	09.14-05.18	*
2.0 TFSI quattro (CYNB)		Gasolina	4WD	1984	185	252	05.15-05.18	*
2.0 TFSI quattro (CYPA)		Gasolina	4WD	1984	185	252	05.15-05.18	*
2.8 FSI (CHVA)		Gasolina	FWD	2773	150	204	02.11-03.15	*
2.8 FSI quattro (CHVA)		Gasolina	4WD	2773	150	204	10.10-03.15	*
2.8 FSI quattro (CNYA)		Gasolina	4WD	2773	150	204	10.10-03.15	*
2.8 FSI quattro (CVPA)		Gasolina	4WD	2773	162	220	09.14-05.18	*
3.0 TFSI quattro (CGWB)		Gasolina	4WD	2995	220	300	10.10-05.12	*
3.0 TFSI quattro (CHMA)		Gasolina	4WD	2995	220	300	10.10-05.12	*
3.0 TFSI quattro (CGWD)		Gasolina	4WD	2995	228	310	01.11-03.15	*
3.0 TFSI quattro (CGXB)		Gasolina	4WD	2995	228	310	01.11-03.15	*
3.0 TFSI quattro (CTTA)		Gasolina	4WD	2995	228	310	01.11-03.15	*
3.0 TFSI quattro (CTUA)		Gasolina	4WD	2995	228	310	01.11-03.15	*
3.0 TFSI quattro (CREC)		Gasolina	4WD	2995	245	333	05.14-05.18	*
3.0 TFSI quattro		Gasolina	4WD	2995	250	340	05.16-05.18	*
S7 quattro (CEUC)		Gasolina	4WD	3993	309	420	02.12-03.15	*
S7 quattro (CTGE)		Gasolina	4WD	3993	331	450	07.14-05.18	*
RS7 quattro (CRDB)		Gasolina	4WD	3993	412	560	10.13-04.18	*
RS7 quattro (CWUB)		Gasolina	4WD	3993	412	560	10.13-04.18	*
RS7 performance quattro (CWUC)		Gasolina	4WD	3993	445	605	11.15-04.18	*
3.0 TDI (CZVE)		Diesel	FWD	2967	140	190	11.15-05.18	*
3.0 TDI quattro (CZVE)		Diesel	4WD	2967	140	190	11.15-05.18	*
3.0 TDI quattro (CZVF)		Diesel	4WD	2967	140	190	11.15-05.18	*
3.0 TDI (CLAB)		Diesel	FWD	2967	150	204	11.10-03.15	*
3.0 TDI quattro (CLAA)		Diesel	4WD	2967	150	204	12.10-03.15	*
3.0 TDI (CZVD)		Diesel	FWD	2967	155	211	11.15-05.18	*
3.0 TDI quattro (CRTF)		Diesel	4WD	2967	155	211	07.14-05.18	*
3.0 TDI quattro (CTCB)		Diesel	4WD	2967	155	211	07.14-05.18	*
3.0 TDI quattro (CZVC)		Diesel	4WD	2967	155	211	07.14-05.18	*
3.0 TDI (CTCC)		Diesel	FWD	2967	160	218	07.14-05.18	*
3.0 TDI (CZVB)		Diesel	FWD	2967	160	218	07.14-05.18	*
3.0 TDI quattro (CRTE)		Diesel	4WD	2967	160	218	07.14-05.18	*
3.0 TDI quattro (CZVA)		Diesel	4WD	2967	160	218	07.14-05.18	*
3.0 TDI quattro (CPNB)		Diesel	4WD	2967	176	239	05.13-06.17	*
3.0 TDI quattro (CDUC)		Diesel	4WD	2967	180	245	10.10-06.16	*
3.0 TDI quattro (CDUD)		Diesel	4WD	2967	180	245	10.10-06.16	*
3.0 TDI quattro (CKVB)		Diesel	4WD	2967	180	245	10.10-06.16	*
3.0 TDI quattro (CKVC)		Diesel	4WD	2967	180	245	10.10-06.16	*
3.0 TDI quattro (CRTD)		Diesel	4WD	2967	200	272	05.14-05.18	*
3.0 TDI quattro (CGQB)		Diesel	4WD	2967	230	313	11.11-03.15	*

LISTA DE APLICACIONES - BUYERS GUIDE

3.0 TDI quattro (CVUA)	Diesel	4WD	2967	235	320	05.14-05.18	*
3.0 TDI quattro (CVUB)	Diesel	4WD	2967	240	326	09.14-05.18	*
PORSCHE							
MACAN (95B) 02.14-				SUV (Compact SUV-J Segment)			
2.0 (MCN.CC)	Gasolina	4WD	1984	174	237	05.14-09.18	*
2.0 (MCY.NA)	Gasolina	4WD	1984	174	237	05.14-09.18	*
2.0 (DKNA)	Gasolina	4WD	1984	180	245	05.18-	*
2.0 (DLHB)	Gasolina	4WD	1984	185	252	05.15-	*
2.0 (MCY.NB)	Gasolina	4WD	1984	185	252	05.15-	*
2.0 (MCY.PA)	Gasolina	4WD	1984	185	252	05.15-	*
2.0 (95BAU1)	Gasolina	4WD	1984	195	265	05.18-	*
2.9 GTS (95BBL1)	Gasolina	4WD	2894	280	380	05.19-	*
2.9 S (95BBV1) (DGRB)	Gasolina	4WD	2894	280	380	05.21-	*
2.9 GTS AWD (95BBW1) (DGRC)	Gasolina	4WD	2894	324	441	05.21-	*
2.9 Turbo AWD (95BC11) (DGR)	Gasolina	4WD	2894	324	441	05.18-	*
2.9 Turbo AWD (95BC11) (DGRC)	Gasolina	4WD	2894	324	441	05.18-	*
3.0S (DLZB)	Gasolina	4WD	2995	260	354	05.18-	*
3.0S (MCT.MA)	Gasolina	4WD	2997	250	340	02.14-09.18	*
3.0 GTS (MDC.NA)	Gasolina	4WD	2997	265	360	10.15-09.18	*
3.6 Turbo (MCT.LA)	Gasolina	4WD	3604	294	400	02.14-09.18	*
3.6 Turbo (MDH.KA)	Gasolina	4WD	3604	324	441	09.16-	*
3.0 S Diesel (MCT.BB)	Diesel	4WD	2967	155	211	02.14-09.18	*
3.0 S Diesel (MCD.UD)	Diesel	4WD	2967	180	245	02.14-09.18	*
3.0 S Diesel (MCT.BC)	Diesel	4WD	2967	184	250	02.14-09.18	*
3.0 S Diesel (MCT.BA)	Diesel	4WD	2967	190	258	02.14-09.18	*