

LISTA DE APLICACIONES - BUYERS GUIDE

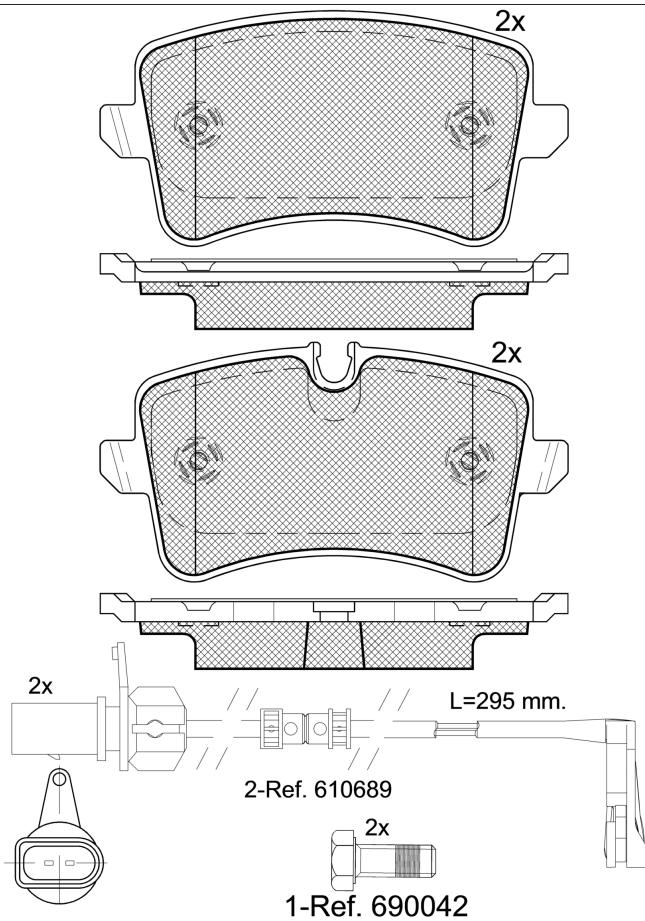
RB1986



Qty: 300

Weight: 1.345

O.E.M.	MAKE
4G0 698 451 H	AUDI
4H0 698 451 A	AUDI
4H0 698 451 C	AUDI
4H0 698 451 D	AUDI
4H0 698 451 K	AUDI
4H0 698 451 L	AUDI
4H0 698 451 M	AUDI



RB1986

E 9 90R-01111/3135



Trw

116.5x58.6x17.4
116.5x59.6x17.4

WVA	FMSI
24606	D1547-8755
25214	

Sin Filas



Trac.	CC	Kw	CV
-------	----	----	----



Front / Rear

AUDI

A6 IV C7 (4G2, 4GC) 11.10-

Sedán (Executive car-E Segment)

Model	Engine	Drive	CC	Kw	CV	Period	Notes
1.8 TFSI (CYGA)	Gasolina	FWD	1798	140	190	09.14-09.18	*
2.0 TFSI (CDNB)	Gasolina	FWD	1984	132	180	05.11-09.18	*
2.0 TFSI (CAEB)	Gasolina	FWD	1984	155	211	03.11-05.13	*
2.0 TFSI quattro (CAEB)	Gasolina	4WD	1984	155	211	05.12-04.15	*
2.0 TFSI (CAED)	Gasolina	FWD	1984	162	220	05.13-09.18	*
2.8 FSI (CHVA)	Gasolina	FWD	2773	150	204	11.10-04.15	*
2.8 FSI quattro (CHVA)	Gasolina	4WD	2773	150	204	11.10-04.15	*
2.8 FSI quattro (CVPA)	Gasolina	4WD	2773	162	220	09.14-09.18	*
3.0 TFSI quattro	Gasolina	4WD	2995	250	340	09.16-09.18	*
2.0 TFSI Hybrid (CHJA)	Gasol./el éc.	FWD	1984	180	245	11.11-04.15	*
2.0 TDI (CGLE)	Diesel	FWD	1968	100	136	01.12-09.18	*
2.0 TDI (CSUE)	Diesel	FWD	1968	100	136	01.12-09.18	*
2.0 TDI (CSUD)	Diesel	FWD	1968	110	150	09.14-09.18	*
2.0 TDI (DDCB)	Diesel	FWD	1968	110	150	09.14-09.18	*
2.0 TDI (CGLD)	Diesel	FWD	1968	120	163	03.11-09.18	*
2.0 TDI (CGLC)	Diesel	FWD	1968	130	177	03.11-09.18	*
2.0 TDI (CMGB)	Diesel	FWD	1968	130	177	03.11-09.18	*
2.0 TDI (CNHA)	Diesel	FWD	1968	140	190	11.13-09.18	*
2.0 TDI (CZJA)	Diesel	FWD	1968	140	190	11.13-09.18	*
2.0 TDI (DDDA)	Diesel	FWD	1968	140	190	11.13-09.18	*
2.0 TDI quattro (CNHA)	Diesel	4WD	1968	140	190	04.15-09.18	*
2.0 TDI quattro (DDDA)	Diesel	4WD	1968	140	190	04.15-09.18	*
2.1 TDI	Diesel	FWD	1968	140	190	01.15-09.18	*

LISTA DE APLICACIONES - BUYERS GUIDE

3.0 TDI (CLAB)		Diesel	FWD	2967	150	204	11.10-09.18	*	
3.0 TDI quattro (CLAA)		Diesel	4WD	2967	150	204	03.11-09.18	*	
3.0 TDI (CTCB)		Diesel	FWD	2967	155	211	09.14-09.18	*	
3.0 TDI (CZVD)		Diesel	FWD	2967	155	211	09.14-09.18	*	
3.0 TDI quattro (CRTF)		Diesel	4WD	2967	155	211	09.14-09.18	*	
3.0 TDI quattro (CZVC)		Diesel	4WD	2967	155	211	09.14-09.18	*	
3.0 TDI (CTCC)		Diesel	FWD	2967	160	218	09.14-09.18	*	
3.0 TDI (CZVB)		Diesel	FWD	2967	160	218	09.14-09.18	*	
3.0 TDI quattro (CRTE)		Diesel	4WD	2967	160	218	09.14-09.18	*	
3.0 TDI quattro (CZVA)		Diesel	4WD	2967	160	218	09.14-09.18	*	
A6 IV C7 Avant (4G5, 4GD) 05.11-							[CAMBIADO]:Break (Executive car-E Segment)		
1.8 TFSI (CYGA)		Gasolina	FWD	1798	140	190	09.14-09.18	*	
2.0 TFSI (CDNB)		Gasolina	FWD	1984	132	180	06.11-09.18	*	
2.8 FSI (CHVA)		Gasolina	FWD	2773	150	204	05.11-04.15	*	
2.8 FSI quattro (CHVA)		Gasolina	4WD	2773	150	204	05.11-04.15	*	
2.8 FSI quattro (CVPA)		Gasolina	4WD	2773	162	220	09.14-09.18	*	
2.0 TDI (CGLE)		Diesel	FWD	1968	100	136	01.12-09.18	*	
2.0 TDI (CSUE)		Diesel	FWD	1968	100	136	01.12-09.18	*	
2.0 TDI (DDCA)		Diesel	FWD	1968	100	136	01.12-09.18	*	
2.0 TDI (CSUD)		Diesel	FWD	1968	110	150	09.14-09.18	*	
2.0 TDI (DDCB)		Diesel	FWD	1968	110	150	09.14-09.18	*	
2.0 TDI (CGLD)		Diesel	FWD	1968	120	163	05.11-09.18	*	
2.0 TDI (CGLC)		Diesel	FWD	1968	130	177	05.11-09.18	*	
2.0 TDI (CMGB)		Diesel	FWD	1968	130	177	05.11-09.18	*	
2.0 TDI (CNHA)		Diesel	FWD	1968	140	190	11.13-09.18	*	
2.0 TDI (CZJA)		Diesel	FWD	1968	140	190	11.13-09.18	*	
2.0 TDI (DDDA)		Diesel	FWD	1968	140	190	11.13-09.18	*	
2.0 TDI quattro (CNHA)		Diesel	4WD	1968	140	190	04.15-09.18	*	
2.0 TDI quattro (DDDA)		Diesel	4WD	1968	140	190	04.15-09.18	*	
3.0 TDI (CLAB)		Diesel	FWD	2967	150	204	05.11-09.18	*	
3.0 TDI quattro (CLAA)		Diesel	4WD	2967	150	204	05.11-09.18	*	
3.0 TDI (CTCB)		Diesel	FWD	2967	155	211	09.14-09.18	*	
3.0 TDI (CZVD)		Diesel	FWD	2967	155	211	09.14-09.18	*	
3.0 TDI quattro (CRTF)		Diesel	4WD	2967	155	211	09.14-09.18	*	
3.0 TDI quattro (CZVC)		Diesel	4WD	2967	155	211	09.14-09.18	*	
3.0 TDI (CTCC)		Diesel	FWD	2967	160	218	09.14-09.18	*	
3.0 TDI (CZVB)		Diesel	FWD	2967	160	218	09.14-09.18	*	
3.0 TDI quattro (CRTE)		Diesel	4WD	2967	160	218	09.14-09.18	*	
3.0 TDI quattro (CZVA)		Diesel	4WD	2967	160	218	09.14-09.18	*	
A7 Sportback (4GA, 4GF) 07.10-11.19							[CAMBIADO]:Fastback (Executive car-E Segment)		
1.8 TFSI (CYGA)		Gasolina	FWD	1798	140	190	04.15-05.18	*	
2.0 TFSI quattro (CYPB)		Gasolina	4WD	1984	183	249	05.15-05.18	*	
2.0 TFSI (CYPA)		Gasolina	FWD	1984	185	252	09.14-05.18	*	
2.0 TFSI quattro (CYNB)		Gasolina	4WD	1984	185	252	05.15-05.18	*	
2.0 TFSI quattro (CYPA)		Gasolina	4WD	1984	185	252	05.15-05.18	*	
2.8 FSI (CHVA)		Gasolina	FWD	2773	150	204	02.11-03.15	*	
2.8 FSI quattro (CHVA)		Gasolina	4WD	2773	150	204	10.10-03.15	*	
2.8 FSI quattro (CNYA)		Gasolina	4WD	2773	150	204	10.10-03.15	*	
2.8 FSI quattro (CVPA)		Gasolina	4WD	2773	162	220	09.14-05.18	*	
3.0 TFSI quattro (CGWB)		Gasolina	4WD	2995	220	300	10.10-05.12	*	

LISTA DE APLICACIONES - BUYERS GUIDE

3.0 TFSI quattro (CHMA)	Gasolina	4WD	2995	220	300	10.10-05.12	*
3.0 TFSI quattro (CGWD)	Gasolina	4WD	2995	228	310	01.11-03.15	*
3.0 TFSI quattro (CGXB)	Gasolina	4WD	2995	228	310	01.11-03.15	*
3.0 TFSI quattro (CTTA)	Gasolina	4WD	2995	228	310	01.11-03.15	*
3.0 TFSI quattro (CTUA)	Gasolina	4WD	2995	228	310	01.11-03.15	*
3.0 TFSI quattro (CREC)	Gasolina	4WD	2995	245	333	05.14-05.18	*
3.0 TFSI quattro	Gasolina	4WD	2995	250	340	05.16-05.18	*
S7 quattro (CEUC)	Gasolina	4WD	3993	309	420	02.12-03.15	*
3.0 TDI (CZVE)	Diesel	FWD	2967	140	190	11.15-05.18	*
3.0 TDI quattro (CZVE)	Diesel	4WD	2967	140	190	11.15-05.18	*
3.0 TDI quattro (CZVF)	Diesel	4WD	2967	140	190	11.15-05.18	*
3.0 TDI (CLAB)	Diesel	FWD	2967	150	204	11.10-03.15	*
3.0 TDI quattro (CLAA)	Diesel	4WD	2967	150	204	12.10-03.15	*
3.0 TDI (CZVD)	Diesel	FWD	2967	155	211	11.15-05.18	*
3.0 TDI quattro (CRTF)	Diesel	4WD	2967	155	211	07.14-05.18	*
3.0 TDI quattro (CTCB)	Diesel	4WD	2967	155	211	07.14-05.18	*
3.0 TDI quattro (CZVC)	Diesel	4WD	2967	155	211	07.14-05.18	*
3.0 TDI (CTCC)	Diesel	FWD	2967	160	218	07.14-05.18	*
3.0 TDI (CZVB)	Diesel	FWD	2967	160	218	07.14-05.18	*
3.0 TDI quattro (CRTE)	Diesel	4WD	2967	160	218	07.14-05.18	*
3.0 TDI quattro (CZVA)	Diesel	4WD	2967	160	218	07.14-05.18	*
3.0 TDI quattro (CPNB)	Diesel	4WD	2967	176	239	05.13-06.17	*
3.0 TDI quattro (CDUC)	Diesel	4WD	2967	180	245	10.10-06.16	*
3.0 TDI quattro (CDUD)	Diesel	4WD	2967	180	245	10.10-06.16	*
3.0 TDI quattro (CKVB)	Diesel	4WD	2967	180	245	10.10-06.16	*
3.0 TDI quattro (CKVC)	Diesel	4WD	2967	180	245	10.10-06.16	*
3.0 TDI quattro (CRTD)	Diesel	4WD	2967	200	272	05.14-05.18	*
3.0 TDI quattro (CGQB)	Diesel	4WD	2967	230	313	11.11-03.15	*
3.0 TDI quattro (CVUA)	Diesel	4WD	2967	235	320	05.14-05.18	*
3.0 TDI quattro (CVUB)	Diesel	4WD	2967	240	326	09.14-05.18	*
A8 III D4 (4H2, 4H8, 4HC, 4HL) 11.09-							Sedán (Luxury car-F Segment)
2.0 TFSI quattro (CYPA)	Gasolina	4WD	1984	185	252	09.16-01.18	*
2.5 TFSI (CPAA)	Gasolina	FWD	2498	150	204	07.12-06.16	*
2.5 TFSI (CVBA)	Gasolina	FWD	2498	150	204	07.12-06.16	*
3.0 TFSI quattro (CGWA)	Gasolina	4WD	2995	213	290	07.10-04.14	*
3.0 TFSI quattro (CGXA)	Gasolina	4WD	2995	213	290	07.10-04.14	*
3.0 TFSI quattro (CREG)	Gasolina	4WD	2995	213	290	07.10-04.14	*
3.0 TFSI quattro (CGWD)	Gasolina	4WD	2995	228	310	11.11-01.18	*
3.0 TFSI quattro (CREA)	Gasolina	4WD	2995	228	310	11.11-01.18	*
3.0 TFSI quattro (CGXC)	Gasolina	4WD	2995	245	333	06.10-01.18	*
3.0 TFSI quattro (CMDA)	Gasolina	4WD	2995	245	333	06.10-01.18	*
3.0 TFSI quattro (CREC)	Gasolina	4WD	2995	245	333	06.10-01.18	*
3.0 TFSI quattro (CTDA)	Gasolina	4WD	2995	245	333	06.10-01.18	*
3.0 TFSI quattro (CTUB)	Gasolina	4WD	2995	245	333	06.10-01.18	*
4.0 TFSI quattro (CEUA)	Gasolina	4WD	3993	309	420	03.12-12.14	*
4.0 TFSI quattro (CTGA)	Gasolina	4WD	3993	320	435	10.13-12.15	*
S8 quattro (CGTA)	Gasolina	4WD	3993	382	520	04.12-01.18	*
S8 quattro (CTFA)	Gasolina	4WD	3993	382	520	04.12-01.18	*
S8 plus quattro (DDTA)	Gasolina	4WD	3993	445	605	11.15-01.18	*
4.2 FSI quattro (CDRA)	Gasolina	4WD	4163	273	371	11.09-12.12	*
6.3 W12 quattro (CEJA)	Gasolina	4WD	6299	368	500	01.11-01.18	*

LISTA DE APLICACIONES - BUYERS GUIDE

6.3 W12 quattro (CTNA)	Gasolina	4WD	6299	368	500	01.11-01.18	*	
2.0 TFSI Hybrid (CHJA)	Gasol./el éc.	FWD	1984	180	245	02.12-11.15	*	
3.0 TDI (CLAB)	Diesel	FWD	2967	150	204	09.11-09.13	*	
3.0 TDI quattro (CDTB)	Diesel	4WD	2967	155	211	08.10-11.15	*	
3.0 TDI quattro (CTBB)	Diesel	4WD	2967	155	211	08.10-11.15	*	
3.0 TDI quattro (CPNA)	Diesel	4WD	2967	176	239	11.12-06.16	*	
3.0 TDI quattro (CPNB)	Diesel	4WD	2967	176	239	11.12-06.16	*	
3.0 TDI quattro (CDTA)	Diesel	4WD	2967	184	250	07.10-01.18	*	
3.0 TDI quattro (CDTC)	Diesel	4WD	2967	184	250	07.10-01.18	*	
3.0 TDI quattro (CMHA)	Diesel	4WD	2967	184	250	07.10-01.18	*	
3.0 TDI quattro (CTBA)	Diesel	4WD	2967	190	258	10.13-01.18	*	
3.0 TDI quattro (CTBD)	Diesel	4WD	2967	193	262	05.15-01.18	*	
4.2 TDI quattro (CDSB)	Diesel	4WD	4134	258	351	11.09-04.14	*	
4.2 TDI quattro (CTEC)	Diesel	4WD	4134	283	385	10.13-01.18	*	
PORSCHE								
MACAN (95B) 02.14-					SUV (Compact SUV-J Segment)			
2.9 S (95BBV1) (DGRB)	Gasolina	4WD	2894	280	380	05.21-	*	
2.9 GTS AWD (95BBW1) (DGRC)	Gasolina	4WD	2894	324	441	05.21-	*	