

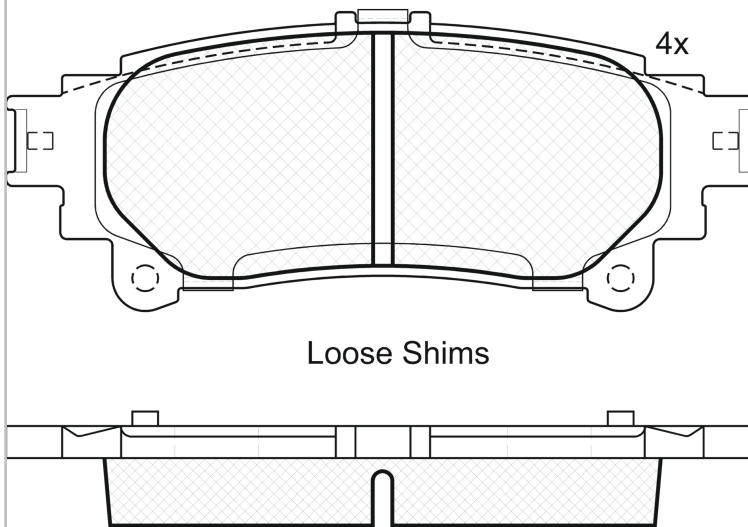
LISTA DE APLICACIONES - BUYERS GUIDE

RB1983



Qty: 944 Weight: 875

O.E.M.	MAKE
04466-0E010	LEXUS
04466-0K010	TOYOTA
04466-30290	LEXUS
04466-47051	TOYOTA
04466-47070	TOYOTA
04466-47071	TOYOTA
04466-47140	TOYOTA
04466-48130	LEXUS
04466-4813079	LEXUS
04466-48140	LEXUS



RB1983

E 9 90R-01110/2629



Akebono

115.2x45.59x15.8

WVA
24918

FMSI
D1391-8500
D1391-9084

Sin Filas



Trac.	CC	Kw	CV
-------	----	----	----



Front / Rear

LEXUS

GS IV (_L1_) 08.11-						Sedán (Executive car-E Segment)			
200t (ARL10_, ARL10R) (8AR-FTS)		Gasolina	RWD	1998	180	245	09.15-		*
300 (ARL10_, ARL10R) (8AR-FTS)		Gasolina	RWD	1998	180	245	09.17-		*
250 (GRL11_, GRL11R) (4GR-FSE)		Gasolina	RWD	2499	154	209	01.12-		*
250 (GRL11_, GRL11R) (4GR-FSE)		Gasolina	RWD	2499	158	215	12.11-08.16		*
300h (AWL10_, AWL10R) (2AR-FSE)		Gasol./el éc.	RWD	2494	164	223	10.13-		*
RC (_C1_) 08.14-						Coupé (Luxury car-F Segment)			
300 (ASC10_, ASC10R) (8AR-FTS)		Gasolina	RWD	1998	180	245	11.17-		*
2.5 300h (AVC10)		Gasol./el éc.	RWD	2494	162	220	09.14-		*
300h (AVC10_, AVC10R) (2AR-FSE)		Gasol./el éc.	RWD	2494	164	223	09.14-		*
RX III (_L1_) 12.08-12.15						SUV (Luxury Crossover SUV-J Segment)			
270 (AGL10_, AGL10R) (1AR-FE)		Gasolina	FWD	2672	138	188	12.08-10.15		*
350		Gasolina	FWD	3456	202	275	01.09-10.15		*
350 (GGL10_, GGL10W) (2GR-FE)		Gasolina	FWD	3456	202	275	01.09-09.15		*
350 AWD (GGL15_, GGL15R) (2GR-FE)		Gasolina	4WD	3456	204	277	12.08-08.15		*
350 AWD (GGL15_, GGL15R) (2GR-FXE)		Gasolina	4WD	3456	204	277	12.08-08.15		*
350 (GYL10_, GYL10R) (2GR-FXE)		Gasolina	FWD	3456	206	280	12.08-10.15		*
350 AWD (GGL15_) (2GR-FE)		Gasolina	4WD	3456	206	280	03.09-02.12		*
450h (GYL10_) (2GR-FXE)		Gasol./el éc.	FWD	3456	183	249	12.08-10.15		*
450h AWD (GYL15_) (2GR-FXE)		Gasol./el éc.	4WD	3456	183	249	12.08-10.15		*

LISTA DE APLICACIONES - BUYERS GUIDE

450h		Gasol./el éc.	4WD	3456	220	299	09.09-12.13	*
450h (GYL10, GYL10_, GYL10R)		Gasol./el éc.	FWD	3456	220	299	03.09-09.15	*
450h (GYL10_)		Gasol./el éc.	FWD	3456	220	299	12.08-10.15	*
450h AWD (GYL15, GYL15_, GYL15R, GYL16W)		Gasol./el éc.	4WD	3456	220	299	03.09-09.15	*
450h AWD (GYL15_)		Gasol./el éc.	4WD	3456	220	299	12.08-10.15	*
TOYOTA								
FORTUNER II / SW4 (_N15_, _N16_) 05.15-					SUV (Compact SUV-J Segment)			
2.7 4x4 (TGN156_) (2TR-FE)		Gasolina	4WD	2694	122	166	05.15-	*
2.8 D 4x4 (GUN156) (1GD-FTV)		Diesel	4WD	2755	130	177	05.15-	*
HIGHLANDER III / KLUGER (_U5_) 12.13-					SUV (Large MPV-M1 Segment)			
2.7 (ASU50) (1AR-FE)		Gasolina	FWD	2672	138	188	09.16-11.19	*
2.7 AWD (ASU50) (1AR-FE)		Gasolina	4WD	2672	138	188	09.16-	*
3.5 AWD (GSU55_) (2GR-FE)		Gasolina	4WD	3456	183	249	09.14-11.16	*
3.5 (GSU50R, GXU50)		Gasolina	FWD	3456	201	273	12.13-11.16	*
3.5 AWD (GSU55R)		Gasolina	4WD	3456	201	273	03.14-10.16	*
3.5 Hybrid AWD (GVU58_)		Gasol./el éc.	4WD	3456	209	284	12.13-12.16	*
MIRAI (JPD1_) 12.14-05.20					Sedán (Luxury car-F Segment)			
FCV (JPD10_) (4JM)		Hidrógen o	FWD		113	154	12.14-05.20	*
PRIUS III (_W3_) 06.08-					[CAMBIADO]:Fastback (Executive car-E Segment)			
1.8 Hybrid (ZVW3_) (2ZR-FXE)		Gasol./el éc.	FWD	1798	73	99	06.08-	*
PRIUS III V PLUS / PRIUS ALPHA (_W4_) 05.11-					MPV (Large MPV-M1 Segment)			
1.8 Hybrid (ZVW40W, ZVW41W) (2ZR-FXE)		Gasol./el éc.	FWD	1798	100	136	05.11-	*
PRIUS III C / AQUA (NHP10_) 09.11-					[CAMBIADO]:Fastback (Executive car-E Segment)			
1.5 Hybrid (NHP10) (1NZ-FXE)		Gasol./el éc.	FWD	1497	54	73	12.11-	*
PRIUS III PLUS VAN (_W4_) 05.11-					Furgoneta/MPV (Executive car-E Segment)			
1.8 Hybrid (ZVW40)		Gasol./el éc.	FWD	1798	100	136	11.14-	*
SIENNA III (_L3_) 01.10-08.14					[CAMBIADO]:Furgón (LCVs-N1 Segment)			
3.5 (GSL33_)		Gasolina	FWD	3456	196	267	01.10-08.14	*
SIENNA III (_L3_) 01.10-					MPV (Large MPV-M1 Segment)			
2.7 VVTi		Gasolina	FWD	2671	137	186	05.10-	*
2.7 (ASL30_) (1AR-FE)		Gasolina	FWD	2672	140	190	09.10-07.13	*
2.7		Gasolina	FWD	2700	202	275	01.12-	*
3.3 L 24V		Gasolina	FWD	3295	169	230	01.10-	*
3.5 (GSL30_, GSL33_) (2GR-FE)		Gasolina	FWD	3456	196	267	02.10-	*
3.5 4WD (GSL35_) (2GR-FE)		Gasolina	4WD	3456	196	267	01.10-	*
3.5 (GSL30_) (2GR-FE)		Gasolina	FWD	3456	198	269	01.10-	*
3.5 4WD (GSL35_) (2GR-FE)		Gasolina	4WD	3456	198	269	01.10-	*
3.5 (GSL30_) (2GR-FKS)		Gasolina	FWD	3456	220	299	08.16-	*
3.5 4WD (GSL35_)		Gasolina	4WD	3456	220	299	08.16-	*
3.5 (GSL30) (2GR-FKS)		Gasolina	FWD	3456	221	301	09.16-	*
SIENTA II (_P17_) 06.15-					MPV (Mini MPV-M1 Segment)			
1.5 Hybrid		Gasolina	FWD	1496	54	73	06.15-	*

LISTA DE APLICACIONES - BUYERS GUIDE

1.5	Gasolina	FWD	1496	81	110	06.15-	*	
1.5	Gasolina	FWD	1497	76	103	06.15-	*	
1.5	Gasolina	FWD	1497	79	107	01.16-	*	
2.4 D	Diesel	RWD	2393	109	149	01.16-	*	
TOYOTA (GAC)								
HIGHLANDER III (_U5_) 03.15-					Closed SUV (Compact SUV-J Segment)			
2.0 T	Gasolina	FWD	1998	162	220	03.15-	*	
2.0 T A las 4 ruedas	Gasolina	FWD	1998	162	220	03.15-	*	
3.5 A las 4 ruedas	Gasolina	FWD	3456	201	273	03.15-	*	