

# LISTA DE APLICACIONES - BUYERS GUIDE

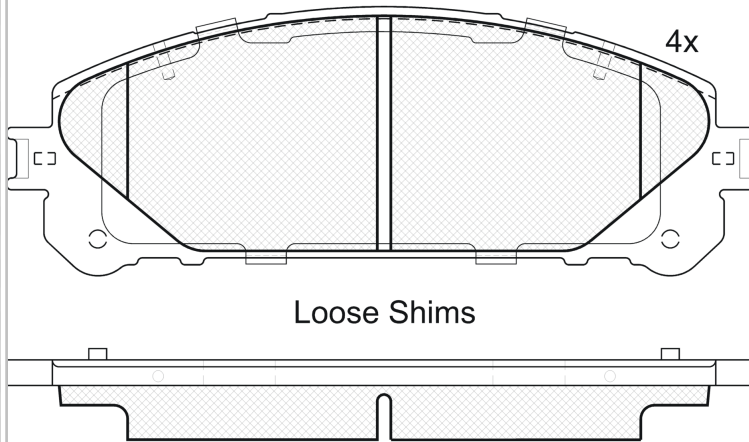
## RB1982



Qty: 300

Weight: 2.025

| O.E.M.         | MAKE   |
|----------------|--------|
| 04465-02500    | LEXUS  |
| 04465-02560    | TOYOTA |
| 04465-0E010    | LEXUS  |
| 04465-0E020    | TOYOTA |
| 04465-0E030    | TOYOTA |
| 04465-0E040    | LEXUS  |
| 04465-33490    | LEXUS  |
| 04465-33500    | TOYOTA |
| 04465-48150    | LEXUS  |
| 04465-4815079  | LEXUS  |
| 04465-48160    | LEXUS  |
| 04465-48170    | LEXUS  |
| 04465-48180    | TOYOTA |
| 04465-48190    | LEXUS  |
| 04465-48210    | LEXUS  |
| 04465-48220    | TOYOTA |
| 04465-48230    | TOYOTA |
| 04465-78010    | LEXUS  |
| 04465-78010-79 | LEXUS  |
| 04465-WY020    | TOYOTA |
| 4465-48150     | TOYOTA |
| 4465-48160     | TOYOTA |
| 4465-48170     | TOYOTA |



## RB1982

**E 9** 90R-01111/2628



Advics

166.7x59.4x18.2

**WVA**  
24452

**FMSI**  
D1324-8436  
D1324-9108

Sin Filas



| Trac. | CC | Kw | CV |
|-------|----|----|----|
|-------|----|----|----|



Front / Rear

### LEXUS

| <b>ES VI (_V6_) 06.12-</b>                 |  |                  |     | <b>Sedán (Executive car-E Segment)</b> |     |     |             |   |  |
|--|--|------------------|-----|--|-----|-----|-------------|---|--|
| 200 (ASV61_)                               |  | Gasolina         | FWD | 1998                                   | 123 | 167 | 08.15-06.18 | * |  |
| 250 (AV60_) (2AR-FE)                       |  | Gasolina         | FWD | 2494                                   | 133 | 181 | 06.12-06.18 | * |  |
| 250 (AVV60_, ASV60_) (2AR-FE)              |  | Gasolina         | FWD | 2494                                   | 135 | 184 | 06.12-06.18 | * |  |
| 350 (GSV60_) (2GR-FE)                      |  | Gasolina         | FWD | 3456                                   | 183 | 249 | 06.12-06.18 | * |  |
| 350 (GSV60_, GSV60R) (2GR-FE)              |  | Gasolina         | FWD | 3456                                   | 204 | 277 | 06.12-06.18 | * |  |
| 350 4WD (GSV60_)                           |  | Gasolina         | 4WD | 3456                                   | 204 | 277 | 06.12-06.18 | * |  |
| 300h (ASV60_, AVV60_, AVV60R) (2AR-FXE)    |  | Gasol./el<br>éc. | FWD | 2494                                   | 151 | 205 | 06.12-06.18 | * |  |
| <b>ES VII (_Z10_, _A10_, _H10_) 07.18-</b> |  |                  |     | <b>Sedán (Executive car-E Segment)</b> |     |     |             |   |  |
| 200 (ASZ10) (6AR-FSE)                      |  | Gasolina         | FWD | 1998                                   | 110 | 150 | 10.18-      | * |  |
| 250 (AXZA10) (A25A-FKS)                    |  | Gasolina         | FWD | 2487                                   | 147 | 200 | 10.18-      | * |  |
| 350 (GSZ10) (2GR-FKS)                      |  | Gasolina         | FWD | 3456                                   | 183 | 249 | 10.18-      | * |  |
| 300h (AXZH10, AXZH11) (A25A-FXS)           |  | Gasol./el<br>éc. | FWD | 2487                                   | 131 | 178 | 07.18-      | * |  |
| 300h (AXZH10, AXZH11) (A25B-FXS)           |  | Gasol./el<br>éc. | FWD | 2487                                   | 131 | 178 | 07.18-      | * |  |
| 300h (AXZH10, AXZH11)                      |  | Gasol./el<br>éc. | FWD | 2487                                   | 160 | 218 | 07.18-      | * |  |
| <b>LM (_H3_) 02.20-</b>                    |  |                  |     | <b>MPV (Luxury car-F Segment)</b>      |     |     |             |   |  |
| 350 (GGH31)                                |  | Gasolina         | FWD | 3456                                   | 221 | 300 | 06.20-      | * |  |
| 300h AWD (AYH36)                           |  | Gasol./el<br>éc. | 4WD | 2494                                   | 83  | 117 | 02.20-      | * |  |
| 300h E-Four (AYH36)                        |  | Gasol./el<br>éc. | 4WD | 2494                                   | 112 | 152 | 03.20-      | * |  |
| 300h A las 4 ruedas (AYH36)                |  | Gasol./el<br>éc. | 4WD | 2494                                   | 120 | 163 | 02.20-      | * |  |

# LISTA DE APLICACIONES - BUYERS GUIDE

|  |  |                  |     |      |   |     |             |   |
|--|--|------------------|-----|------|---|-----|-------------|---|
| 300h E-Four (AYH36)                        |  | Gasol./el<br>éc. | 4WD | 2494 | 145   | 197 | 03.20-      | * |
| <b>NX (_Z1_) 07.14-</b>                    |  |                  |     |      | <b>SUV (Luxury Crossover SUV-J Segment)</b> |     |             |   |
| 200 (ZGZ10_, AYZ10_, AGZ10) (3ZR-FAE)      |  | Gasolina         | FWD | 1987 | 110   | 150 | 11.14-      | * |
| 200 AWD (ZGZ15_, AYZ15_, AGZ15_) (3ZR-FAE) |  | Gasolina         | 4WD | 1987 | 110   | 150 | 11.14-      | * |
| 200t (AGZ10_, AGZ10R) (8AR-FTS)            |  | Gasolina         | FWD | 1998 | 175   | 238 | 07.14-      | * |
| 200t AWD (AGZ15_, AGZ15R) (8AR-FTS)        |  | Gasolina         | 4WD | 1998 | 175   | 238 | 07.14-      | * |
| 300 (AGZ10_, AGZ10R) (8AR-FTS)             |  | Gasolina         | FWD | 1998 | 175   | 238 | 09.17-      | * |
| 300 AWD (AGZ15_, AGZ15R) (8AR-FTS)         |  | Gasolina         | 4WD | 1998 | 175   | 238 | 09.17-      | * |
| 300h (AYZ10_, AYZ10R) (2AR-FXE)            |  | Gasol./el<br>éc. | FWD | 2493 | 145   | 197 | 07.14-      | * |
| 300h AWD (AYZ15_, AYZ15R) (2AR-FXE)        |  | Gasol./el<br>éc. | 4WD | 2493 | 145   | 197 | 07.14-      | * |
| 300h (AYZ10_) (2AR-FXE)                    |  | Gasol./el<br>éc. | FWD | 2494 | 114   | 155 | 07.14-      | * |
| 300h AWD (AYZ15_) (2AR-FXE)                |  | Gasol./el<br>éc. | 4WD | 2494 | 114   | 155 | 07.14-      | * |
| 300h (AYZ10_, AYZ10R)                      |  | Gasol./el<br>éc. | FWD | 2494 | 145   | 197 | 11.14-      | * |
| 300h AWD (AYZ15, AYZ15_, AYZ15R) (2AR-FXE) |  | Gasol./el<br>éc. | 4WD | 2494 | 145   | 197 | 07.14-      | * |
| 300h AWD (AYZ15) (2AR-FXE)                 |  | Gasol./el<br>éc. | 4WD | 2494 | 147   | 200 | 11.18-      | * |
| <b>NX II (_A2_, _H2_) 09.21-</b>           |  |                  |     |      | <b>SUV (Luxury Crossover SUV-J Segment)</b> |     |             |   |
| 350h (AAZH20)                              |  | Gasol./el<br>éc. | FWD | 2487 | 140   | 190 | 09.21-      | * |
| 350h E-Four (AAZH25)                       |  | Gasol./el<br>éc. | 4WD | 2487 | 140   | 190 | 09.21-      | * |
| 350h (AAZH20)                              |  | Gasol./el<br>éc. | FWD | 2487 | 179   | 243 | 09.21-      | * |
| 350h (AAZH20)                              |  | Gasol./el<br>éc. | FWD | 2487 | 179   | 243 | 11.21-      | * |
| 350h (AAZH20)                              |  | Gasol./el<br>éc. | FWD | 2487 | 179   | 243 | 09.23-      | * |
| 350h E-Four (AAZH25)                       |  | Gasol./el<br>éc. | 4WD | 2487 | 179   | 243 | 09.21-      | * |
| 350h E-Four (AAZH25)                       |  | Gasol./el<br>éc. | 4WD | 2487 | 179   | 243 | 11.21-      | * |
| 350h E-Four (AAZH25)                       |  | Gasol./el<br>éc. | 4WD | 2487 | 179   | 243 | 09.23-      | * |
| <b>RX III (_L1_) 12.08-12.15</b>           |  |                  |     |      | <b>SUV (Luxury Crossover SUV-J Segment)</b> |     |             |   |
| 270 (AGL10_, AGL10R) (1AR-FE)              |  | Gasolina         | FWD | 2672 | 138   | 188 | 12.08-10.15 | * |
| 350  |  | Gasolina         | FWD | 3456 | 202   | 275 | 01.09-10.15 | * |
| 350 (GGL10_, GGL10W) (2GR-FE)              |  | Gasolina         | FWD | 3456 | 202   | 275 | 01.09-09.15 | * |
| 350 AWD (GGL15_, GGL15R) (2GR-FE)          |  | Gasolina         | 4WD | 3456 | 204   | 277 | 12.08-08.15 | * |
| 350 AWD (GGL15_, GGL15R) (2GR-FXE)         |  | Gasolina         | 4WD | 3456 | 204   | 277 | 12.08-08.15 | * |
| 350 (GYL10_, GYL10R) (2GR-FXE)             |  | Gasolina         | FWD | 3456 | 206   | 280 | 12.08-10.15 | * |
| 350 AWD (GGL15_) (2GR-FE)                  |  | Gasolina         | 4WD | 3456 | 206   | 280 | 03.09-02.12 | * |
| 450h (GYL10_) (2GR-FXE)                    |  | Gasol./el<br>éc. | FWD | 3456 | 183   | 249 | 12.08-10.15 | * |
| 450h AWD (GYL15_) (2GR-FXE)                |  | Gasol./el<br>éc. | 4WD | 3456 | 183   | 249 | 12.08-10.15 | * |
| 450h                                       |  | Gasol./el<br>éc. | 4WD | 3456 | 220   | 299 | 09.09-12.13 | * |
| 450h (GYL10, GYL10_, GYL10R)               |  | Gasol./el<br>éc. | FWD | 3456 | 220   | 299 | 03.09-09.15 | * |
| 450h (GYL10_)                              |  | Gasol./el<br>éc. | FWD | 3456 | 220   | 299 | 12.08-10.15 | * |
| 450h AWD (GYL15, GYL15_, GYL15R, GYL16W)   |  | Gasol./el<br>éc. | 4WD | 3456 | 220   | 299 | 03.09-09.15 | * |
| 450h AWD (GYL15_)                          |  | Gasol./el<br>éc. | 4WD | 3456 | 220   | 299 | 12.08-10.15 | * |

# LISTA DE APLICACIONES - BUYERS GUIDE

|   |  |               |     |      | <b>SUV (Luxury Crossover SUV-J Segment)</b>  |     |             |   |  |
|---|--|---------------|-----|------|--|-----|-------------|---|--|
| <b>RX IV ( L2 ) 10.15-</b>  |  |               |     |      |  |     |             |   |  |
| 200t (AGL20R, AGL20_) (8AR-FTS)                                   |  | Gasolina      | FWD | 1998 | 175  | 238 | 10.15-12.17 | * |  |
| 200t AWD (AGL25_) (8AR-FTS)                                       |  | Gasolina      | 4WD | 1998 | 175  | 238 | 10.15-12.17 | * |  |
| 300 (AGL20_, AGL20R) (8AR-FTS)                                    |  | Gasolina      | FWD | 1998 | 175  | 238 | 12.17-      | * |  |
| 300 AWD (AGL25_, AGL25R) (8AR-FTS)                                |  | Gasolina      | 4WD | 1998 | 175  | 238 | 12.17-      | * |  |
| 350 4WD (GGL25, GGL26) (2GR-FKS)                                  |  | Gasolina      | 4WD | 3456 | 216  | 294 | 10.15-      | * |  |
| 350 4WD (GGL25_) (2GR-FKS)  |  | Gasolina      | 4WD | 3456 | 218  | 296 | 10.15-      | * |  |
| 350   |  | Gasolina      | FWD | 3456 | 220  | 299 | 10.15-      | * |  |
| 350 4WD (GGL25_, GGL26_, GGL25R, GGL26R) (2GR-FKS)                |  | Gasolina      | 4WD | 3456 | 221  | 300 | 10.15-      | * |  |
| 450h AWD (GYL25_, GYL25, GYL26) (2GR-FXS)                         |  | Gasol./el éc. | 4WD | 3456 | 193  | 262 | 11.15-      | * |  |
| 450h  |  | Gasol./el éc. | FWD | 3456 | 230  | 313 | 11.15-      | * |  |
| 450h (GYL20_, GYL20W) (2GR-FXS)                                   |  | Gasol./el éc. | FWD | 3456 | 230  | 313 | 10.15-      | * |  |
| 450h AWD (GYL25_, GYL26_, GYL25, GYL26, GYL25R, GYL26R) (2GR-FXS) |  | Gasol./el éc. | 4WD | 3456 | 230  | 313 | 11.15-      | * |  |
| <b>TOYOTA</b>   |  |               |     |      |  |     |             |   |  |
| <b>ALPHARD II ( H2 ) 04.08-12.15</b>                              |  |               |     |      | <b>MPV (Large MPV-M1 Segment)</b>            |     |             |   |  |
| 2.4 (ANH20W) (2AZ-FE)   |  | Gasolina      | FWD | 2362 | 123  | 167 | 04.08-12.14 | * |  |
| 2.4 (ANH20W, ANH20) (2AZ-FE)                                      |  | Gasolina      | FWD | 2362 | 125  | 170 | 05.08-12.14 | * |  |
| 3.5 (GGH20W) (2GR-FE)   |  | Gasolina      | FWD | 3456 | 202  | 275 | 04.08-12.14 | * |  |
| 3.5 (GGH20W, GGH20) (2GR-FE)                                      |  | Gasolina      | FWD | 3456 | 206  | 280 | 04.08-12.14 | * |  |
| <b>ALPHARD III / VELLFIRE ( H3 ) 02.15-</b>                       |  |               |     |      | <b>MPV (Large MPV-M1 Segment)</b>            |     |             |   |  |
| 3.5 (GGH30W, GGH30) (2GR-FE)                                      |  | Gasolina      | FWD | 3456 | 202  | 275 | 02.15-      | * |  |
| 3.5 (GGH30, GGH30W) (2GR-FKS)                                     |  | Gasolina      | FWD | 3456 | 221  | 300 | 10.18-12.23 | * |  |
| <b>AVALON V ( X5 ) 04.18-</b>                                     |  |               |     |      | <b>Sedán (Luxury car-F Segment)</b>          |     |             |   |  |
| 3.5 (GSX50_) (2GR-FKS)  |  | Gasolina      | FWD | 3456 | 218  | 296 | 04.18-      | * |  |
| <b>CAMRY ( V7_, VA7_, VH7 ) 06.17-</b>                            |  |               |     |      | <b>Sedán (Executive car-E Segment)</b>       |     |             |   |  |
| 2.5 Hybrid (AXVH71_) (A25A-FXS)                                   |  | Gasol./el éc. | FWD | 2487 | 129  | 176 | 12.17-      | * |  |
| 2.5 Hybrid (AXVH71) (A25A-FKS)                                    |  | Gasol./el éc. | FWD | 2487 | 153  | 208 | 12.17-      | * |  |
| 2.5 Hybrid (AXVH71_, AXVH70, AXVH71R) (A25A-FXS)                  |  | Gasol./el éc. | FWD | 2487 | 160  | 218 | 08.17-      | * |  |
| <b>HIGHLANDER III / KLUGER ( U5 ) 12.13-</b>                      |  |               |     |      | <b>SUV (Large MPV-M1 Segment)</b>            |     |             |   |  |
| 2.7 (ASU50) (1AR-FE)  |  | Gasolina      | FWD | 2672 | 138  | 188 | 09.16-11.19 | * |  |
| 2.7 AWD (ASU50) (1AR-FE)  |  | Gasolina      | 4WD | 2672 | 138  | 188 | 09.16-      | * |  |
| 3.5 AWD (GSU55_) (2GR-FE)   |  | Gasolina      | 4WD | 3456 | 183  | 249 | 09.14-11.16 | * |  |
| 3.5 (GSU50R, GXU50)   |  | Gasolina      | FWD | 3456 | 201  | 273 | 12.13-11.16 | * |  |
| 3.5 AWD (GSU55R)  |  | Gasolina      | 4WD | 3456 | 201  | 273 | 03.14-10.16 | * |  |
| 3.5 Hybrid AWD (GVU58_)   |  | Gasol./el éc. | 4WD | 3456 | 209  | 284 | 12.13-12.16 | * |  |
| <b>HIGHLANDER II / KLUGER ( U4 ) 05.07-</b>                       |  |               |     |      | <b>SUV (Large MPV-M1 Segment)</b>            |     |             |   |  |
| 2.7 (ASU40_) (1AR-FE)   |  | Gasolina      | FWD | 2672 | 139  | 189 | 09.08-02.14 | * |  |
| 2.7 4WD (GSU40_)  |  | Gasolina      | 4WD | 2672 | 139  | 189 | 09.08-02.14 | * |  |
| 2.7 (ASU40_)  |  | Gasolina      | FWD | 2672 | 140  | 190 | 05.07-      | * |  |
| 2.7 4WD (ASU40_)  |  | Gasolina      | 4WD | 2672 | 140  | 190 | 05.07-      | * |  |
| 3.5 (GSU40_, GSU40R) (2GR-FE)                                     |  | Gasolina      | FWD | 3456 | 201  | 273 | 05.07-02.14 | * |  |
| 3.5 4WD (GSU45_, GSU45R) (2GR-FE)                                 |  | Gasolina      | 4WD | 3456 | 201  | 273 | 06.07-02.14 | * |  |
| <b>RAV 4 V ( A5_, H5 ) 12.18-</b>                                 |  |               |     |      | <b>Furgoneta/SUV (Compact SUV-J Segment)</b> |     |             |   |  |
| 2.0 VVTi (MXAA52)   |  | Gasolina      | FWD | 1987 | 129  | 175 | 12.18-      | * |  |

# LISTA DE APLICACIONES - BUYERS GUIDE

|  |  |                  |     |      |  |     |             |   |  |
|--|--|------------------|-----|------|--|-----|-------------|---|--|
| 2.0 VVTi AWD (MXAA54)                      |  | Gasolina         | 4WD | 1987 | 129  | 175 | 12.18-      | * |  |
| 2.5 Hybrid (AXAH52)                        |  | Gasol./el<br>éc. | FWD | 2487 | 160  | 218 | 12.18-      | * |  |
| 2.5 Hybrid AWD (AXAH54)                    |  | Gasol./el<br>éc. | 4WD | 2487 | 163  | 222 | 12.18-      | * |  |
| <b>RAV 4 V (_A5_, _H5_) 12.18-</b>         |  |                  |     |      | <b>SUV (Compact SUV-J Segment)</b>           |     |             |   |  |
| 2.0 VVTi (MXAA52) (M20A-FKS)               |  | Gasolina         | FWD | 1987 | 110  | 150 | 12.18-      | * |  |
| 2.0 VVTi AWD (MXAA54) (M20A-FKS)           |  | Gasolina         | 4WD | 1987 | 110  | 150 | 12.18-      | * |  |
| 2.0 VVTi (MXAA52) (M20A-FKS)               |  | Gasolina         | FWD | 1987 | 127  | 173 | 12.18-      | * |  |
| 2.0 VVTi AWD (MXAA54) (M20A-FKS)           |  | Gasolina         | 4WD | 1987 | 127  | 173 | 02.19-      | * |  |
| 2.0 (MXAA52) (M20A-FKS)                    |  | Gasolina         | FWD | 1987 | 129  | 175 | 12.18-      | * |  |
| 2.0 AWD (MXAA54) (M20A-FKS)                |  | Gasolina         | 4WD | 1987 | 129  | 175 | 12.18-      | * |  |
| 2.5 VVTi (AXAA52) (A25A-FKS)               |  | Gasolina         | FWD | 2487 | 149  | 203 | 12.18-      | * |  |
| 2.5 VVTi AWD (AXAA54) (A25A-FKS)           |  | Gasolina         | 4WD | 2487 | 149  | 203 | 12.18-      | * |  |
| 2.5 VVTi AWD (AXAA54) (A25A-FKS)           |  | Gasolina         | 4WD | 2487 | 152  | 207 | 12.18-      | * |  |
| 2.5 Hybrid AWD (AXAH54) (A25A-FXS)         |  | Gasol./el<br>éc. | 4WD | 2487 | 131  | 178 | 12.18-      | * |  |
| 2.5 Hybrid (AXAH52) (A25A-FXS)             |  | Gasol./el<br>éc. | FWD | 2487 | 160  | 218 | 12.18-      | * |  |
| 2.5 Hybrid AWD (AXAH54, AXAL54) (A25A-FXS) |  | Gasol./el<br>éc. | 4WD | 2487 | 163  | 222 | 12.18-      | * |  |
| <b>RAV4 IV (_A4_) 12.12-</b>               |  |                  |     |      | <b>Furgoneta/SUV (Compact SUV-J Segment)</b> |     |             |   |  |
| 2.0 VVTi 4WD (ZSA44)                       |  | Gasolina         | 4WD | 1987 | 111  | 151 | 12.12-11.18 | * |  |
| 2.0 VVTi 4WD (ZSA44)                       |  | Gasolina         | 4WD | 1987 | 112  | 152 | 12.12-11.18 | * |  |
| 2.0 D4d (WWA42)                            |  | Diesel           | FWD | 1995 | 105  | 143 | 10.15-11.18 | * |  |
| 2.0 D4d (ALA40)                            |  | Diesel           | FWD | 1998 | 91   | 124 | 12.12-11.18 | * |  |
| D4d 4WD (ALA41)                            |  | Diesel           | 4WD | 1998 | 91   | 124 | 11.13-11.18 | * |  |
| 2.2 D4d 4WD (ALA49)                        |  | Diesel           | 4WD | 2231 | 110  | 150 | 12.12-11.18 | * |  |
| <b>RAV4 IV (_A4_) 12.12-</b>               |  |                  |     |      | <b>SUV (Compact SUV-J Segment)</b>           |     |             |   |  |
| 2.0 (ZSA42) (3ZR-FE)                       |  | Gasolina         | FWD | 1987 | 105  | 143 | 12.12-09.19 | * |  |
| 2.0 (ZSA42) (3ZR-FE)                       |  | Gasolina         | FWD | 1987 | 107  | 146 | 12.12-09.19 | * |  |
| 2.0 4WD (ZSA44) (3ZR-FE)                   |  | Gasolina         | 4WD | 1987 | 107  | 146 | 12.12-09.19 | * |  |
| 2.0 4WD (ZSA44_, ZSA44R) (3ZR-FAE)         |  | Gasolina         | 4WD | 1987 | 111  | 151 | 12.12-10.18 | * |  |
| 2.0 4WD (ZSA44_) (3ZR-FAE)                 |  | Gasolina         | 4WD | 1987 | 112  | 151 | 04.15-10.18 | * |  |
| 2.5 (ASA42) (2AR-FE)                       |  | Gasolina         | FWD | 2494 | 131  | 178 | 01.13-12.18 | * |  |
| 2.5 4WD (ASA44) (2AR-FE)                   |  | Gasolina         | 4WD | 2494 | 131  | 178 | 12.12-12.18 | * |  |
| 2.5 (ASA42) (2AR-FE)                       |  | Gasolina         | FWD | 2494 | 132  | 180 | 12.12-11.18 | * |  |
| 2.5 Hybrid (AVA42_) (2AR-FXE)              |  | Gasol./el<br>éc. | FWD | 2494 | 114  | 155 | 10.15-11.18 | * |  |
| 2.5 Hybrid 4WD (AVA44_) (2AR-FXE)          |  | Gasol./el<br>éc. | 4WD | 2494 | 114  | 155 | 10.15-12.18 | * |  |
| 2.5 Hybrid (AVA42_) (2AR-FXE)              |  | Gasol./el<br>éc. | FWD | 2494 | 145  | 197 | 11.15-11.18 | * |  |
| 2.5 Hybrid 4WD (AVA44, AVA44_) (2AR-FXE)   |  | Gasol./el<br>éc. | 4WD | 2494 | 145  | 197 | 11.15-11.18 | * |  |
| 2.0 D (WWA42_) (2WW)                       |  | Diesel           | FWD | 1995 | 105  | 143 | 10.15-11.18 | * |  |
| 2.0 D (ALA40_, ALA40R) (1AD-FTV)           |  | Diesel           | FWD | 1998 | 91   | 124 | 12.12-11.18 | * |  |
| 2.0 D 4WD (ALA41_) (1AD-FTV)               |  | Diesel           | 4WD | 1998 | 91   | 124 | 01.13-11.18 | * |  |
| 2.2 D 4WD (ALA49) (2AD-FHV)                |  | Diesel           | 4WD | 2231 | 110  | 150 | 12.12-09.19 | * |  |
| 2.2 D 4WD (ALA49) (2AD-FTV)                |  | Diesel           | 4WD | 2231 | 110  | 150 | 12.12-09.19 | * |  |
| 2.2 D 4WD (ALA49) (2AD-FHV)                |  | Diesel           | 4WD | 2231 | 130  | 177 | 12.12-09.19 | * |  |
| <b>SIENNA III (_L3_) 01.10-08.14</b>       |  |                  |     |      | <b>[CAMBIADO]:Furgón (LCVs-N1 Segment)</b>   |     |             |   |  |
| 3.5 (GSL33_)                               |  | Gasolina         | FWD | 3456 | 196  | 267 | 01.10-08.14 | * |  |

# LISTA DE APLICACIONES - BUYERS GUIDE

| <b>SIENNA III (_L3_) 01.10-</b>                |  |                  |     |      | <b>MPV (Large MPV-M1 Segment)</b>                  |     |             |   |
|--|--|------------------|-----|------|--|-----|-------------|---|
| 2.7 VVTi                                       |  | Gasolina         | FWD | 2671 | 137  | 186 | 05.10-      | * |
| 2.7 (ASL30_) (1AR-FE)                          |  | Gasolina         | FWD | 2672 | 140  | 190 | 09.10-07.13 | * |
| 2.7  |  | Gasolina         | FWD | 2700 | 202  | 275 | 01.12-      | * |
| 3.3 L 24V                                      |  | Gasolina         | FWD | 3295 | 169  | 230 | 01.10-      | * |
| 3.5 (GSL30_, GSL33_) (2GR-FE)                  |  | Gasolina         | FWD | 3456 | 196  | 267 | 02.10-      | * |
| 3.5 4WD (GSL35_) (2GR-FE)                      |  | Gasolina         | 4WD | 3456 | 196  | 267 | 01.10-      | * |
| 3.5 (GSL30_) (2GR-FE)                          |  | Gasolina         | FWD | 3456 | 198  | 269 | 01.10-      | * |
| 3.5 4WD (GSL35_) (2GR-FE)                      |  | Gasolina         | 4WD | 3456 | 198  | 269 | 01.10-      | * |
| 3.5 (GSL30_) (2GR-FKS)                         |  | Gasolina         | FWD | 3456 | 220  | 299 | 08.16-      | * |
| 3.5 4WD (GSL35_)                               |  | Gasolina         | 4WD | 3456 | 220  | 299 | 08.16-      | * |
| 3.5 (GSL30) (2GR-FKS)                          |  | Gasolina         | FWD | 3456 | 221  | 301 | 09.16-      | * |
| <b>SIENNA IV (_L4_) 09.20-</b>                 |  |                  |     |      | <b>MPV (Large MPV-M1 Segment)</b>                  |     |             |   |
| 2.5 Hybrid (AXLH40) (A25A-FXS)                 |  | Gasol./el<br>éc. | FWD | 2487 | 181  | 246 | 09.20-      | * |
| 2.5 Hybrid AWD (A25A-FXS)                      |  | Gasol./el<br>éc. | 4WD | 2487 | 181  | 246 | 09.20-      | * |
| <b>TOYOTA (FAW)</b>                            |  |                  |     |      |  |     |             |   |
| <b>RAV 4 V (_AA5_, _AH5_, _AP5_) 10.19-</b>    |  |                  |     |      | <b>SUV (Compact SUV-J Segment)</b>                 |     |             |   |
| 2.0 (MXAA52)                                   |  | Gasolina         | FWD | 1987 | 126  | 171 | 10.19-      | * |
| 2.0 4WD (MXAA54)                               |  | Gasolina         | 4WD | 1987 | 126  | 171 | 10.19-      | * |
| Hybrid (AXAH52)                                |  | Gasol./el<br>éc. | FWD | 2487 | 131  | 178 | 10.19-      | * |
| Hybrid E-Four (AXAH54)                         |  | Gasol./el<br>éc. | 4WD | 2487 | 131  | 178 | 10.19-      | * |
| <b>RAV4 IV (_A4_) 08.13-</b>                   |  |                  |     |      | <b>[CAMBIADO]:Fastback (Compact SUV-J Segment)</b> |     |             |   |
| 2.0  |  | Gasolina         | FWD | 1987 | 108  | 147 | 08.13-      | * |
| 2.0  |  | Gasolina         | FWD | 1987 | 108  | 147 | 08.13-      | * |
| 2.5  |  | Gasolina         | FWD | 2494 | 132  | 180 | 08.13-      | * |
| <b>TOYOTA (GAC)</b>                            |  |                  |     |      |  |     |             |   |
| <b>HIGHLANDER II (_U4_) 05.09-</b>             |  |                  |     |      | <b>Closed SUV (Compact SUV-J Segment)</b>          |     |             |   |
| 2.7 (ASU40_) (3AR-FE)                          |  | Gasolina         | FWD | 2672 | 138  | 188 | 01.11-12.15 | * |
| 2.7 (ASU40) (1AR-FE)                           |  | Gasolina         | FWD | 2672 | 140  | 190 | 05.09-12.12 | * |
| 3.5 4WD (GSU45) (2GR-FE)                       |  | Gasolina         | 4WD | 3456 | 201  | 273 | 05.09-12.15 | * |
| <b>HIGHLANDER III (_U5_) 03.15-</b>            |  |                  |     |      | <b>Closed SUV (Compact SUV-J Segment)</b>          |     |             |   |
| 2.0 T  |  | Gasolina         | FWD | 1998 | 162  | 220 | 03.15-      | * |
| 2.0 T A las 4 ruedas                           |  | Gasolina         | FWD | 1998 | 162  | 220 | 03.15-      | * |
| 3.5 A las 4 ruedas                             |  | Gasolina         | FWD | 3456 | 201  | 273 | 03.15-      | * |
| <b>WILDLANDER (_AA5_, _AH5_, _AP5_) 02.20-</b> |  |                  |     |      | <b>Closed SUV (Compact SUV-J Segment)</b>          |     |             |   |
| 2.0 (MXAA52)                                   |  | Gasolina         | FWD | 1987 | 126  | 171 | 02.20-      | * |
| 2.0 4WD (MXAA54)                               |  | Gasolina         | 4WD | 1987 | 126  | 171 | 02.20-      | * |
| HEV (AXAH52)                                   |  | Gasol./el<br>éc. | FWD | 2487 | 131  | 178 | 02.20-      | * |
| HEV 4WD (AXAH54)                               |  | Gasol./el<br>éc. | 4WD | 2487 | 131  | 178 | 02.20-      | * |
| HEV (AXAH52)                                   |  | Gasol./el<br>éc. | FWD | 2487 | 160  | 218 | 02.20-      | * |
| HEV 4WD (AXAH54)                               |  | Gasol./el<br>éc. | 4WD | 2487 | 160  | 218 | 02.20-      | * |