

LISTA DE APLICACIONES - BUYERS GUIDE

RB1976

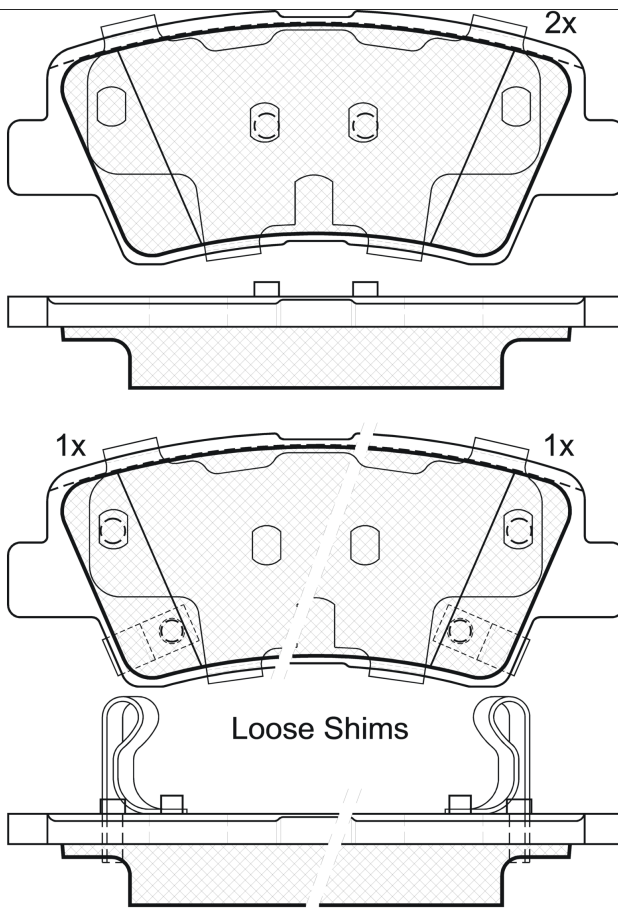


8 424073 136886

Qty: 300

Weight: 705

O.E.M.	MAKE
1014026445	PROTON
4050004000	GEELY
48413-341A0	SSANGYONG
48413-350D0	SSANGYONG
58302-0AA10	KIA
58302-2EA31	HYUNDAI
58302-2HA50	HYUNDAI
58302-2HA51	KIA
58302-2KA00	KIA
58302-2KA10	KIA
58302-2KA50	KIA
58302-3FA01	KIA
58302-3FA02	KIA
58302-3FA11	KIA
58302-3KA52	KIA
58302-3KA62	HYUNDAI
58302-3KA63	HYUNDAI
58302-3KS52	KIA
58302-3LA10	HYUNDAI
58302-3LA20	HYUNDAI
58302-3XA30	HYUNDAI
S58302-2EA31	HYUNDAI



RB1976

E 9 90R-01111/2689



Akebono

99.9x41.1x15.4

WVA	FMSI
24934	D1313-8428
24935	D1446-8428
24936	D1544-8428
25647	
25648	

Sin Filas



	Trac.	CC	Kw	CV			Front / Rear
--	-------	----	----	----	--	--	--------------

CHANGAN

CS35 10.12-

SUV ()

1.6		Gasolina	FWD	1598	83	113	01.14-	*
1.6		Gasolina	FWD	1598	90	122	06.13-	*
1.6		Gasolina	FWD	1598	92	125	10.12-	*

GEELY

BOYUE (MR6453) 03.16-

SUV ()

2.0 (JLD-4G20)		Gasolina	FWD	1997	102	139	02.18-	*
2.4 (JLD-4G24)		Gasolina	FWD	2378	110	149	02.18-	*
2.4 AWD (JLD-4G24)		Gasolina	4WD	2378	110	149	02.18-	*
2.4 (JLD-4G24)		Gasolina	FWD	2378	111	151	03.17-	*
2.4 AWD (JLD-4G24)		Gasolina	4WD	2378	111	151	03.17-	*

HYUNDAI

ALCAZAR (SU2LWB) 06.21-

SUV (Compact Crossover SUV-C Segment)

1.5 CRDi		Diesel	FWD	1493	85	116	06.21-	*
----------	--	--------	-----	------	----	-----	--------	---

CRETA II / ix25 II / CANTUS II (SU2_) 03.20-

SUV (Compact Crossover SUV-C Segment)

1.4 T-GDi (SU2I) (G4LD)		Gasolina	FWD	1353	103	140	03.20-	*
1.5 MPi (SU2I) (G4FL)		Gasolina	FWD	1497	85	116	03.20-	*
1.5 CRDi (SU2I) (D4FA)		Diesel	FWD	1493	85	116	03.20-	*

ELANTRA IV / AVANTE (HD) 11.05-12.13

Sedán (Compact car-C Segment)

2.0 CVVT (G4GC)		Gasolina	FWD	1975	105	143	06.06-06.11	*
1.6 CRDi (D4FB)		Diesel	FWD	1582	85	116	11.05-12.11	*
1.6 D		Diesel	RWD	1582	85	115	05.06-12.11	*

LISTA DE APLICACIONES - BUYERS GUIDE

ELANTRA V / FLUIDIC ELANTRA (MD, UD) 09.10-					Sedán (Compact car-C Segment)			
1.6 (G4FG)		Gasolina	FWD	1591	94	128	04.11-04.16	*
1.6 (G4FG)		Gasolina	FWD	1591	96	131	06.11-12.15	*
1.6 (G4FG)		Gasolina	FWD	1591	97	132	06.11-12.15	*
1.8 (G4NB)		Gasolina	FWD	1797	110	150	09.10-12.16	*
1.6 CRDI (D4FB)		Diesel	FWD	1582	94	128	02.11-12.15	*
GRANDEUR V / AZERA V (HG) 01.11-					Sedán (Executive car-E Segment)			
2.4 MPi		Gasolina	FWD	2359	126	171	01.15-	*
2.4 (G4KE)		Gasolina	FWD	2359	132	180	07.11-12.17	*
2.4		Gasolina	FWD	2359	132	180	01.11-	*
2.4 16V (G4KE)		Gasolina	FWD	2359	148	201	01.11-10.16	*
2.7 (G6BA)		Gasolina	FWD	2656	141	192	06.11-	*
3.0 MPI (G6DE)		Gasolina	FWD	2999	184	250	07.11-12.17	*
3.0 GDi (G6DG)		Gasolina	FWD	2999	195	265	12.11-	*
3.0 (G6DG)		Gasolina	FWD	2999	199	271	02.11-10.16	*
3.3		Gasolina	FWD	3342	191	260	06.11-	*
i40 (VF) 07.11-					[CAMBIADO]:Furgón/Break (Large family car-D Segment)			
1.7 CRDi (D4FD)		Diesel	FWD	1685	85	116	05.15-05.19	*
i40 (VF) 03.12-					Sedán (Large family car-D Segment)			
2.0 CVVT (G4NA)		Gasolina	FWD	1999	110	150	10.12-05.19	*
2.0 GDI (G4NC)		Gasolina	FWD	1999	121	165	12.14-05.19	*
2.0 GDI		Gasolina	FWD	1999	122	166	03.12-05.19	*
2.0		Gasolina	FWD	1999	123	167	03.12-05.19	*
1.7 CRDi (D4FD)		Diesel	FWD	1685	103	140	10.12-05.19	*
1.7 CRDi (D4FD)		Diesel	FWD	1685	104	141	01.15-05.19	*
i40 I CW (VF) 07.11-					[CAMBIADO]:Break (Large family car-D Segment)			
1.6 GDI (G4FD)		Gasolina	FWD	1591	99	135	07.11-05.19	*
2.0 CVVT (G4NA)		Gasolina	FWD	1999	110	150	10.12-05.19	*
2.0 CVVT (G4NA)		Gasolina	FWD	1999	112	152	07.18-05.19	*
2.0 CVVT (G4NA)		Gasolina	FWD	1999	121	165	06.12-05.19	*
2.0 GDI (G4NC)		Gasolina	FWD	1999	121	165	12.14-05.19	*
2.0		Gasolina	FWD	1999	122	166	03.12-05.19	*
2.0 GDI (G4NC)		Gasolina	FWD	1999	130	177	07.11-05.19	*
1.7 CRDi (D4FD)		Diesel	FWD	1685	85	116	07.11-05.19	*
1.7 CRDi (D4FD)		Diesel	FWD	1685	100	136	07.11-05.19	*
1.7 CRDi (D4FD)		Diesel	FWD	1685	103	140	03.12-05.19	*
1.7 CRDi (D4FD)		Diesel	FWD	1685	104	141	01.15-05.19	*
SONATA V / EMBERA V (NF) 08.04-11.14					Sedán (Executive car-E Segment)			
2.0 VVTi GLS (G4KA)		Gasolina	FWD	1998	106	144	05.05-12.10	*
2.0 VVTi GLS (G4KD)		Gasolina	FWD	1998	121	165	01.08-12.10	*
2.4 (G4KC)		Gasolina	FWD	2359	119	162	01.05-12.10	*
3.3 (G6DB)		Gasolina	FWD	3342	171	233	01.05-12.10	*
3.3 (G6DB)		Gasolina	FWD	3342	173	235	06.05-12.10	*
3.3 (G6DB)		Gasolina	FWD	3342	184	250	01.08-12.10	*
2.0 CRDi (D4EA)		Diesel	FWD	1991	100	136	02.06-12.10	*
2.0 CRDi (D4EA)		Diesel	FWD	1991	103	140	02.06-12.10	*
2.0 CRDi (D4EA)		Diesel	FWD	1991	110	150	03.09-12.10	*

LISTA DE APLICACIONES - BUYERS GUIDE

SONATA VI / i45 VI (YF) 06.09-12.15					Sedán (Executive car-E Segment)			
2.0 (G4KD)		Gasolina	FWD	1998	110	150	06.09-06.14	*
2.0 i (G4KD)		Gasolina	FWD	1998	121	165	01.11-06.14	*
2.0 (G4NA)		Gasolina	FWD	1999	115	157	09.10-12.15	*
2.4 (G4KC)		Gasolina	FWD	2359	128	174	06.09-11.10	*
2.4 (G4KC)		Gasolina	FWD	2359	130	177	01.10-12.15	*
2.4		Gasolina	FWD	2359	133	181	10.12-	*
2.4 GDI		Gasolina	FWD	2359	148	201	01.09-	*
2.4 Hybrid		Gasol./el éc.	FWD	2359	149	203	09.10-	*
TUCSON (JM) 06.04-03.10					Furgoneta/SUV (Compact SUV-J Segment)			
CVVT		Gasolina	FWD	1975	104	141	06.04-03.10	*
CRDi		Diesel	FWD	1991	103	140	01.06-03.10	*
CRDi VGT		Diesel	FWD	1991	110	150	01.09-03.10	*
TUCSON (JM) 06.04-					SUV (Compact SUV-J Segment)			
2.0 (G4GC)		Gasolina	FWD	1975	104	141	08.04-12.10	*
2.0 Alas 4 ruedas (G4GC)		Gasolina	4WD	1975	104	141	08.04-03.10	*
2.0 (G4GC)		Gasolina	FWD	1975	105	143	01.07-01.12	*
2.0 Alas 4 ruedas (G4GC)		Gasolina	4WD	1975	105	143	07.05-11.10	*
2.0 Alas 4 ruedas		Gasolina	FWD	1997	100	136	07.07-11.10	*
2.4		Gasolina	FWD	2359	131	178	09.09-03.10	*
2.7 (G6BA)		Gasolina	FWD	2656	129	175	08.04-12.09	*
2.7 A las 4 ruedas (G6BA)		Gasolina	4WD	2656	129	175	08.04-11.10	*
2.0 LPG (G4GC)		Gasol./Gas (LPG)	FWD	1975	104	141	06.04-03.10	*
2.0 LPG A las 4 ruedas (G4GC)		Gasol./Gas (LPG)	4WD	1975	104	141	06.09-03.10	*
2.0 CRDi (D4EA)		Diesel	FWD	1991	83	113	08.04-03.10	*
2.0 CRDi A las 4 ruedas (D4EA)		Diesel	4WD	1991	83	113	08.04-03.10	*
2.0 CRDi (D4EA)		Diesel	FWD	1991	88	120	01.07-03.10	*
2.0 CRDi A las 4 ruedas (D4EA)		Diesel	4WD	1991	88	120	01.07-03.10	*
2.0 CRDi (D4EA)		Diesel	FWD	1991	100	136	01.06-03.10	*
2.0 CRDi A las 4 ruedas (D4EA)		Diesel	4WD	1991	100	136	01.06-03.10	*
2.0 CRDi (D4EA)		Diesel	FWD	1991	103	140	01.06-03.10	*
2.0 CRDi A las 4 ruedas (D4EA)		Diesel	4WD	1991	103	140	01.06-03.10	*
2.0 CRDi (D4EA)		Diesel	FWD	1991	110	150	01.09-03.10	*
2.0 CRDi A las 4 ruedas (D4EA)		Diesel	4WD	1991	110	150	01.09-03.10	*
2.0 CRDi		Diesel	RWD	1995	130	177	08.04-11.10	*
VELOSTER (FS) 03.11-					Coupé (Supermini car-B Segment)			
1.6		Gasolina	FWD	1591	94	128	06.11-12.17	*
1.6 GDI (G4FD)		Gasolina	FWD	1591	95	129	10.11-12.17	*
1.6 MPi (G4FC)		Gasolina	FWD	1591	97	132	04.11-12.17	*
1.6 GDI (G4FD)		Gasolina	FWD	1591	103	140	03.11-12.17	*
HYUNDAI (BEIJING)								
ix25 II (SU) 10.19-					SUV (Compact SUV-J Segment)			
1.5		Gasolina	FWD	1497	84	114	10.19-	*
KIA								
OPIRUS / AMANTI (GH) 06.03-					Sedán (Luxury car-F Segment)			
3.5 V6 24V		Gasolina	FWD	3495	143	195	06.03-	*
3.5 (G6CU)		Gasolina	FWD	3497	149	203	09.03-12.06	*

LISTA DE APLICACIONES - BUYERS GUIDE

3.8 V6 (G6DA)		Gasolina	FWD	3778	196	267	10.06-10.12	*
OPTIMA III / K5 (FSGDS6B) 01.10-				Sedán (Executive car-E Segment)				
2.0 CVVL (G4KD)		Gasolina	FWD	1998	121	165	03.12-12.15	*
2.0 (G4KD)		Gasolina	FWD	1998	125	170	03.12-12.15	*
2.0 (G4KH)		Gasolina	FWD	1998	204	277	09.10-12.15	*
2.4 (G4KJ)		Gasolina	FWD	2359	132	179	03.12-12.15	*
2.4 (G4KJ)		Gasolina	FWD	2359	149	203	09.10-12.15	*
2.0 CVVT Hybrid (G4NE)		Gasol./el éc.	FWD	1999	110	150	03.12-	*
2.0 CVVT Hybrid		Gasol./el éc.	FWD	1999	140	190	12.12-12.15	*
2.4 Hybrid		Gasol./el éc.	FWD	2359	154	209	09.11-12.15	*
1.7 CRDi (D4FD)		Diesel	FWD	1685	100	136	03.12-12.15	*
SOUL (AM) 01.09-				[CAMBIADO]:Fastback (Mini MPV-M1 Segment)				
1.6 CVVT (G4FC)		Gasolina	FWD	1591	77	105	02.09-12.11	*
1.6 (G4FC)		Gasolina	FWD	1591	91	124	09.09-12.14	*
1.6 CVVT (G4FC)		Gasolina	FWD	1591	93	126	02.09-12.11	*
1.6 CVVT (G4FC)		Gasolina	FWD	1591	95	129	06.11-12.14	*
1.6 Flex		Gasolina	FWD	1591	96	130	01.11-	*
1.6 GDI		Gasolina	FWD	1591	97	132	02.14-	*
1.6 GDI (G4FD)		Gasolina	FWD	1591	103	140	06.11-12.14	*
2.0		Gasolina	FWD	1999	122	166	02.09-12.14	*
1.6 LPG (G4FC)		Gasol./G as (LPG)	FWD	1591	87	118	06.11-12.14	*
1.6 LPG (G4FC)		Gasol./G as (LPG)	FWD	1591	92	125	02.09-12.11	*
1.6 Flex		Gasol./Et anol	FWD	1591	94	128	01.11-12.14	*
1.6 CRDi 115 (D4FB)		Diesel	FWD	1582	85	115	02.09-12.14	*
1.6 CRDi 128 (D4FB)		Diesel	FWD	1582	94	126	02.09-12.14	*
KIA (DYK)								
SOUL 12.09-				[CAMBIADO]:Fastback (Mini MPV-M1 Segment)				
1.6		Gasolina	FWD	1591	91	124	12.09-	*
2.0		Gasolina	FWD	2000	105	143	12.09-	*
PROTON								
X70 12.18-				SUV ()				
1.8 TGD		Gasolina	FWD	1799	135	184	12.18-	*
1.8 TGD AWD		Gasolina	4WD	1799	135	184	12.18-	*
SSANGYONG								
ACTYON 08.12-				SUV (Compact SUV-J Segment)				
2.0 (G20)		Gasolina	FWD	1998	110	150	08.12-	*
2.0 4x4 (G20)		Gasolina	4WD	1998	110	150	08.12-	*
2.0 Xdi (D20DTF)		Diesel	FWD	1998	110	150	08.12-	*
2.0 Xdi 4x4 (D20DTF)		Diesel	4WD	1998	110	150	08.12-	*
2.0 TD		Diesel	RWD	1998	114	155	03.14-	*
2.0 Xdi (D20DTR)		Diesel	FWD	1998	129	175	08.12-	*
2.0 Xdi 4x4 (D20DTF)		Diesel	4WD	1998	129	175	03.13-	*
KORANDO III 07.10-				Furgoneta/SUV (Executive SUV-J Segment)				
2.0 e-XGi		Gasolina	FWD	1998	110	150	07.15-	*
2.0 e-XGi 4WD		Gasolina	4WD	1998	110	150	07.15-	*

LISTA DE APLICACIONES - BUYERS GUIDE

2.0 e-XDi		Diesel	FWD	1998	129	175	11.10-	*	
2.0 e-XDi 4WD		Diesel	4WD	1998	129	175	11.10-	*	
2.2 e-XDi		Diesel	FWD	2157	131	178	07.15-	*	
2.2 e-XDi 4WD		Diesel	4WD	2157	131	178	07.15-	*	
KORANDO III (CK) 07.10-					SUV (Executive SUV-J Segment)				
2.0 e-XGi (G20D)		Gasolina	FWD	1998	108	147	02.12-	*	
2.0 e-XGi 4WD (G20D)		Gasolina	4WD	1998	108	147	02.12-	*	
2.0 (G20)		Gasolina	FWD	1998	110	150	02.12-	*	
2.0 4WD (G20)		Gasolina	4WD	1998	110	150	02.12-	*	
2.0 LPG (G20D)		Gasol./Gas (LPG)	FWD	1998	108	147	02.12-	*	
2.0 LPG AWD (G20D)		Gasol./Gas (LPG)	4WD	1998	108	147	02.12-	*	
2.0 GPL (G20)		Gasol./Gas (LPG)	FWD	1998	110	150	05.15-	*	
2.0 GPL 4WD (G20)		Gasol./Gas (LPG)	4WD	1998	110	150	09.15-	*	
2.0 e-XDi (D20DT)		Diesel	FWD	1998	110	150	02.12-	*	
2.0 e-XDi (D20DTF)		Diesel	FWD	1998	110	150	02.12-	*	
2.0 e-XDi 4WD (D20DT)		Diesel	4WD	1998	110	150	02.12-	*	
2.0 e-XDi 4WD (D20DTF)		Diesel	4WD	1998	110	150	02.12-	*	
2.0 e-XDi (D20DTF)		Diesel	FWD	1998	129	175	11.10-	*	
2.0 e-XDi 4WD (D20DTF)		Diesel	4WD	1998	129	175	11.10-	*	
2.2 Xdi		Diesel	FWD	2157	131	178	07.15-	*	
2.2 Xdi 4WD		Diesel	4WD	2157	131	178	07.15-	*	
2.2 Xdi		Diesel	RWD	2157	133	181	11.10-	*	
KORANDO IV (C300) 02.19-					SUV (Executive SUV-J Segment)				
1.5 e-XGDi 4WD (G15DTF)		Gasolina	4WD	1497	120	163	02.19-	*	
1.6 e-XDi 4WD (D16DTF)		Diesel	4WD	1597	100	136	02.19-	*	
TIVOLI 01.15-					SUV (Mini SUV-J Segment)				
1.5 A las 4 ruedas (G15DTF)		Gasolina	4WD	1497	120	163	06.19-	*	
1.6 A las 4 ruedas (G16DF)		Gasolina	4WD	1597	94	128	03.15-	*	
1.6 GPL A las 4 ruedas (G16DF)		Gasol./Gas (LPG)	4WD	1597	94	128	03.15-	*	
1.6 XDi 160 A las 4 ruedas (D16DTF)		Diesel	4WD	1597	85	116	04.15-	*	
1.6 XDi 160 A las 4 ruedas (D16DTF)		Diesel	4WD	1597	100	136	06.19-	*	
XLV SUV 04.16-					SUV (Mini SUV-J Segment)				
e-XGi 160 A las 4 ruedas (G16DF)		Gasolina	4WD	1597	94	128	04.16-	*	
1.6 GPL A las 4 ruedas (G16DF)		Gasol./Gas (LPG)	4WD	1597	94	128	05.16-	*	
e-XDi 160 A las 4 ruedas (D16DTF)		Diesel	4WD	1597	85	116	04.16-	*	
XLV VAN 04.16-					Furgoneta/SUV (Mini SUV-J Segment)				
e-XGi A las 4 ruedas		Gasolina	4WD	1597	94	128	12.16-	*	
e-XDi A las 4 ruedas		Diesel	4WD	1597	85	116	12.16-	*	