

# LISTA DE APLICACIONES - BUYERS GUIDE

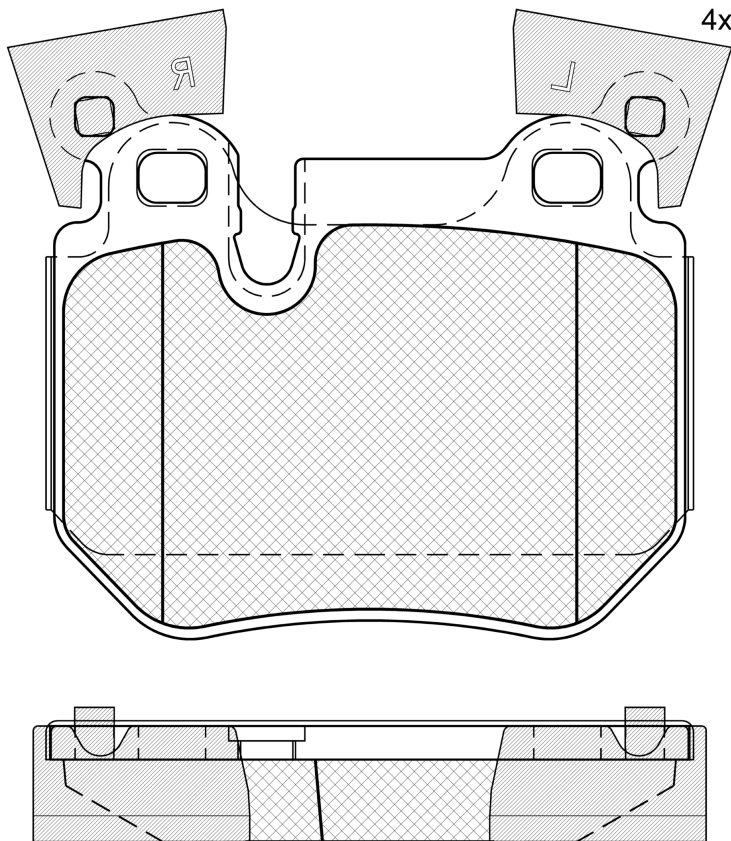
## RB1965



Qty: 300

Weight: 1.463

O.E.M.	MAKE
34 21 6 784 808	BMW
34 21 6 791 421	BMW
34 21 6 797 863	BMW



## RB1965

**E 9** 90R-01111/2547



Brembo

86.7x76.1x16.2

WVA	FMSI
24315	D1372-8484

Sin Filas



Trac.	CC	Kw	CV
-------	----	----	----



Front / Rear

### BMW

						<b>[CAMBIADO]:Fastback (Compact car-C Segment)</b>				
<b>1 Serie (E87) 02.03-12.13</b>										
130 i (N52 B30 A)		Gasolina	RWD	2996	190	258	03.07-06.11		*	
130 i (N52 B30 AF)		Gasolina	RWD	2996	190	258	03.07-06.11		*	
130 i (N52 B30 B)		Gasolina	RWD	2996	190	258	03.07-06.11		*	
130 i (N52 B30 BF)		Gasolina	RWD	2996	190	258	03.07-06.11		*	
130 i (N52 B30 A)		Gasolina	RWD	2996	190	258	09.06-12.11		*	
130 i (N52 B30 B)		Gasolina	RWD	2996	190	258	09.06-12.11		*	
130 i (N52 B30 BF)		Gasolina	RWD	2996	190	258	09.06-12.11		*	
130 i (N52 B30 A)		Gasolina	RWD	2996	195	265	09.05-02.07		*	
130 i (N52 B30 AF)		Gasolina	RWD	2996	195	265	09.05-02.07		*	
130 i (N52 B30 BF)		Gasolina	RWD	2996	195	265	09.05-02.07		*	
130 i (N52 B30 A)		Gasolina	RWD	2996	195	265	09.06-12.11		*	
130 i (N52 B30 B)		Gasolina	RWD	2996	195	265	09.06-12.11		*	
130 i (N52 B30 BF)		Gasolina	RWD	2996	195	265	09.06-12.11		*	
123 d (N47 D20 B)		Diesel	RWD	1995	150	204	03.07-06.11		*	
123 d (N47 D20 D)		Diesel	RWD	1995	150	204	03.07-06.11		*	
123 d (N47 D20 B)		Diesel	RWD	1995	150	204	03.07-12.11		*	
123 d (N47 D20 D)		Diesel	RWD	1995	150	204	03.07-12.11		*	
<b>1 Serie (E88) 12.07-12.13</b>						<b>Cabrio (Compact car-C Segment)</b>				
135 i (N54 B30 A)		Gasolina	RWD	2979	225	306	03.08-10.13		*	
135 i (N55 B30 A)		Gasolina	RWD	2979	225	306	03.08-10.13		*	
135 i (N55 B30 A)		Gasolina	RWD	2979	240	326	03.08-12.13		*	
123 d (N47 D20 B)		Diesel	RWD	1995	150	204	09.08-12.13		*	

# LISTA DE APLICACIONES - BUYERS GUIDE

123 d (N47 D20 D)	Diesel	RWD	1995	150	204	09.08-12.13	*
<b>1 Serie (E82) 10.06-10.13</b>				<b>Coupé (Compact car-C Segment)</b>			
135 i (N54 B30 A)	Gasolina	RWD	2979	225	306	10.07-10.13	*
135 i (N55 B30 A)	Gasolina	RWD	2979	225	306	10.07-10.13	*
135 i (N54 B30 A)	Gasolina	RWD	2979	240	326	10.07-10.13	*
135 i (N55 B30 A)	Gasolina	RWD	2979	240	326	10.07-10.13	*
123 d (N47 D20 B)	Diesel	RWD	1995	150	204	10.07-09.13	*
123 d (N47 D20 D)	Diesel	RWD	1995	150	204	10.07-09.13	*
<b>3 Serie V (E93) 05.06-12.13</b>				<b>Cabrió (Compact executive car-D Segment)</b>			
320i (N46 B20 B)	Gasolina	RWD	1995	115	156	01.07-08.13	*
320i (N43 B20 A)	Gasolina	RWD	1995	120	163	09.06-10.13	*
320i (N43 B20 A)	Gasolina	RWD	1995	125	170	03.07-10.13	*
323 i (N52 B25 A)	Gasolina	RWD	2497	140	190	03.07-09.11	*
325i (N52 B25 A)	Gasolina	RWD	2497	160	218	12.06-02.10	*
325i (N53 B30 A)	Gasolina	RWD	2996	155	211	10.06-12.13	*
325i (N53 B30 A)	Gasolina	RWD	2996	160	218	03.07-12.13	*
330i (N52 B30 A)	Gasolina	RWD	2996	190	258	03.10-10.13	*
330i (N52 B30 AF)	Gasolina	RWD	2996	190	258	03.10-10.13	*
330i (N53 B30 A)	Gasolina	RWD	2996	200	272	03.07-10.13	*
330i (N52 B30 A)	Gasolina	RWD	2996	200	272	03.07-02.10	*
320 d (N47 D20 C)	Diesel	RWD	1995	120	163	01.08-12.13	*
320 d (N47 D20 A)	Diesel	RWD	1995	130	177	03.08-02.10	*
320 d (N47 D20 C)	Diesel	RWD	1995	130	177	03.08-02.10	*
320 d (N47 D20 A)	Diesel	RWD	1995	145	197	09.07-02.10	*
320 d (N47 D20 C)	Diesel	RWD	1995	145	197	09.07-02.10	*
325 d (M57 D30 (306D3))	Diesel	RWD	2993	145	197	03.07-12.10	*
325 d (N57 D30 A)	Diesel	RWD	2993	150	204	09.09-09.13	*
325 d (M57 D30 (306D3))	Diesel	RWD	2993	155	211	03.07-12.10	*
330 d (M57 D30 (306D3))	Diesel	RWD	2993	170	231	03.07-12.13	*
330 d (N57 D30 A)	Diesel	RWD	2993	180	245	01.09-09.13	*
<b>3 Serie V (E92) 01.05-12.13</b>				<b>Coupé (Compact executive car-D Segment)</b>			
330i (N52 B30 A)	Gasolina	RWD	2996	190	258	03.10-06.13	*
330i (N52 B30 A)	Gasolina	RWD	2996	200	272	09.06-02.10	*
330i (N52 B30 AF)	Gasolina	RWD	2996	200	272	09.06-02.10	*
330i (N52 B30 BF)	Gasolina	RWD	2996	200	272	09.06-02.10	*
330i (N53 B30 A)	Gasolina	RWD	2996	200	272	09.07-06.13	*
325 d (M57 D30 (306D3))	Diesel	RWD	2993	145	197	02.07-02.10	*
325 d (N57 D30 A)	Diesel	RWD	2993	150	204	09.09-06.13	*
325 d (M57 D30 (306D3))	Diesel	RWD	2993	155	211	02.07-02.10	*
330 d (N57 D30 A)	Diesel	RWD	2993	180	245	01.09-06.13	*
<b>3 Serie V (E90) 02.04-12.13</b>				<b>Sedán (Compact executive car-D Segment)</b>			
330i (N52 B30 A)	Gasolina	RWD	2996	190	258	12.04-10.11	*
330i (N52 B30 BF)	Gasolina	RWD	2996	190	258	12.04-10.11	*
330i (N53 B30 A)	Gasolina	RWD	2996	200	272	09.07-10.11	*
330i (N52 B30 A)	Gasolina	RWD	2996	200	272	03.07-12.11	*
330i (N52 B30 BF)	Gasolina	RWD	2996	200	272	03.07-12.11	*
325 d (M57 D30 (306D3))	Diesel	RWD	2993	145	197	09.06-02.10	*
325 d (N57 D30 A)	Diesel	RWD	2993	150	204	03.10-10.11	*
330 d (M57 D30 (306D3))	Diesel	RWD	2993	155	211	09.05-12.11	*

# LISTA DE APLICACIONES - BUYERS GUIDE

330 d (N57 D30 A)		Diesel	RWD	2993	155	211	09.05-12.11	*
330 d (M57 D30 (306D3))		Diesel	RWD	2993	170	231	09.05-09.08	*
330 d (N57 D30 A)		Diesel	RWD	2993	180	245	09.08-10.11	*
<b>3 Serie V Touring (E91) 12.04-12.12</b>					<b>[CAMBIADO]:Break (Compact executive car-D Segment)</b>			
316 i (N43 B16 AA)		Gasolina	RWD	1599	90	122	09.08-06.12	*
318i (N46 B20 B)		Gasolina	RWD	1995	95	129	01.06-08.07	*
318i (N46 B20 B)		Gasolina	RWD	1995	100	136	09.07-03.12	*
318i		Gasolina	RWD	1995	100	136	05.07-05.12	*
318i (N43 B20 A)		Gasolina	RWD	1995	105	143	05.07-05.12	*
320i (N46 B20 B)		Gasolina	RWD	1995	110	150	09.05-06.12	*
320i (N46 B20 C)		Gasolina	RWD	1995	110	150	09.05-06.12	*
320i (N46 B20 B)		Gasolina	RWD	1995	115	156	09.05-06.12	*
320i (N46 B20 BD)		Gasolina	RWD	1995	115	156	09.05-06.12	*
320i (N46 B20 C)		Gasolina	RWD	1995	115	156	09.05-06.12	*
320i (N43 B20 A)		Gasolina	RWD	1995	120	163	02.07-05.12	*
320i (N43 B20 A)		Gasolina	RWD	1995	125	170	02.07-12.12	*
323 i (N52 B25 A)		Gasolina	RWD	2497	130	177	04.06-06.07	*
323 i (N52 B25 A)		Gasolina	RWD	2497	140	190	09.06-07.08	*
325i (N52 B25 A)		Gasolina	RWD	2497	155	211	12.04-12.10	*
325i (N52 B25 AF)		Gasolina	RWD	2497	155	211	12.04-12.10	*
325i (N52 B25 B)		Gasolina	RWD	2497	155	211	12.04-12.10	*
325i (N52 B25 BF)		Gasolina	RWD	2497	155	211	12.04-12.10	*
325i (N52 B25 A)		Gasolina	RWD	2497	160	218	12.04-08.08	*
325i (N53 B30 A)		Gasolina	RWD	2996	155	211	09.07-06.12	*
325i (N53 B30 A)		Gasolina	RWD	2996	160	218	09.07-06.12	*
330i (N52 B30 A)		Gasolina	RWD	2996	190	258	08.05-08.07	*
330i (N53 B30 A)		Gasolina	RWD	2996	200	272	09.07-06.12	*
330i		Gasolina	RWD	2996	200	272	03.07-06.12	*
318 d (M47 D20 (204D4))		Diesel	RWD	1995	90	122	09.05-08.07	*
318 d (N47 D20 A)		Diesel	RWD	1995	100	136	07.07-06.12	*
318 d (N47 D20 C)		Diesel	RWD	1995	100	136	07.07-06.12	*
318 d (N47 D20 A)		Diesel	RWD	1995	105	143	09.07-06.12	*
318 d (N47 D20 C)		Diesel	RWD	1995	105	143	09.07-06.12	*
320 d (M47 D20 (204D4))		Diesel	RWD	1995	110	150	12.04-08.07	*
320 d (M47 D20 (204D4))		Diesel	RWD	1995	120	163	06.05-06.12	*
320 d (N47 D20 A)		Diesel	RWD	1995	120	163	06.05-06.12	*
320 d (N47 D20 C)		Diesel	RWD	1995	120	163	06.05-06.12	*
320 d (N47 D20 A)		Diesel	RWD	1995	130	177	02.07-12.10	*
320 d (N47 D20 C)		Diesel	RWD	1995	130	177	02.07-12.10	*
320 d (N47 D20 C)		Diesel	RWD	1995	135	184	03.10-05.12	*
320 d (N47 D20 A)		Diesel	RWD	1995	145	197	02.07-02.10	*
320 d (N47 D20 C)		Diesel	RWD	1995	145	197	02.07-02.10	*
320 d (N47 D20 C)		Diesel	RWD	1995	147	200	03.10-05.12	*
325 d (M57 D30 (306D3))		Diesel	RWD	2993	145	197	09.06-06.12	*
325 d (N57 D30 A)		Diesel	RWD	2993	150	204	02.10-06.12	*
330 d (M57 D30 (306D3))		Diesel	RWD	2993	155	211	06.05-05.12	*
330 d (N57 D30 A)		Diesel	RWD	2993	155	211	06.05-05.12	*
330 d (N57 D30 A)		Diesel	RWD	2993	180	245	02.08-05.12	*