

# LISTA DE APLICACIONES - BUYERS GUIDE

## RB1955

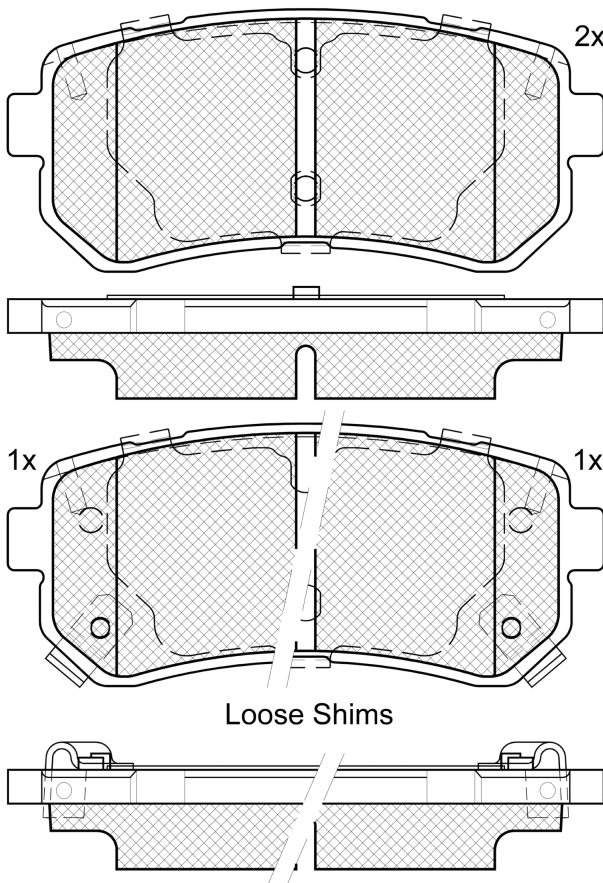


8 424073 136657

Qty: 944

Weight: 755

O.E.M.	MAKE
58302-1KA30	HYUNDAI
58302-1MA00	KIA
58302-1MA40	KIA
58302-1YA30	KIA
58302-1YA50	KIA
58302-2LA00	HYUNDAI
58302-2LA31	HYUNDAI
58302-2LA40	HYUNDAI
58302-2SA00	HYUNDAI
58302-2SA10	HYUNDAI
58302-2SA30	HYUNDAI
58302-2SA35	HYUNDAI
58302-2SA70	HYUNDAI
58302-2YA30	HYUNDAI
58302-2YA50	HYUNDAI
58302-2YA70	HYUNDAI
58302-3SA20	HYUNDAI
58302-4WA10	HYUNDAI
58302-C2A10	HYUNDAI
58302-D5A30	KIA
58302-D7A00	KIA
58302-E6A10	HYUNDAI
58302-M0A00	HYUNDAI
58302-M0A10	HYUNDAI



## RB1955

E 9 90R-01110/2736



Mando

93.05x41x16.1

WVA	FMSI
24320	D1398-8506
25292	D1804-9036
25293	D1829-8506
25677	D1856-9036
25678	D2188-9432

Sin Filas



Trac.	CC	Kw	CV
-------	----	----	----



Front / Rear

### CHANGAN

#### EADO II XT 08.18-

[CAMBIADO]:Fastback ()

GDI (JL478QEN)	Gasolina	FWD	1598	94	128	08.18-	*
----------------	----------	-----	------	----	-----	--------	---

### HYUNDAI

#### CRETA II / ix25 II / CANTUS II (SU2\_) 03.20-

SUV (Compact Crossover CUV-C Segment)

1.6 MPi 4WD (SU2R)	Gasolina	4WD	1591	89	121	09.21-	*
2.0 MPi (SU2R)	Gasolina	FWD	1999	110	150	09.21-	*
2.0 MPi 4WD (SU2R)	Gasolina	4WD	1999	110	150	09.21-	*

#### CRETA / ix25 / CANTUS (GS) 01.16-

SUV (Compact Crossover CUV-C Segment)

1.6 (G4FG)	Gasolina	FWD	1591	90	123	01.16-01.21	*
1.6 4WD (G4FG)	Gasolina	4WD	1591	90	123	08.16-01.21	*
2.0 (G4NA)	Gasolina	FWD	1999	110	150	01.16-01.21	*
2.0 4WD	Gasolina	4WD	1999	110	149	01.16-01.21	*
1.4 CRDi (D4FC)	Diesel	FWD	1396	66	90	01.16-01.21	*
1.6 CRDi (D4FB)	Diesel	FWD	1582	94	128	01.16-01.21	*

#### ELANTRA IV / AVANTE (HD) 11.05-12.13

Sedán (Compact car-C Segment)

1.6 CVVT (G4FC)	Gasolina	FWD	1591	90	122	06.06-06.11	*
2.0 CVVT (G4GC)	Gasolina	FWD	1975	103	140	06.06-05.10	*
2.0 CVVT (G4GC)	Gasolina	FWD	1975	105	143	06.06-06.11	*

#### ix20 (JC) 11.10-

[CAMBIADO]:Fastback (Mini MPV-M1 Segment)

1.2	Gasolina	FWD	1197	59	80	11.10-	*
1.4 (G4FA)	Gasolina	FWD	1396	66	90	11.10-07.19	*
1.4 (G4FA)	Gasolina	FWD	1396	74	100	11.10-07.19	*

# LISTA DE APLICACIONES - BUYERS GUIDE

1.6 (G4FC)		Gasolina	FWD	1591	92	125	11.10-07.19	*	
1.4 LPG (G4FA)		Gasol./Gas (LPG)	FWD	1396	66	90	11.10-07.19	*	
1.6 LPG (G4FC)		Gasol./Gas (LPG)	FWD	1591	92	125	11.10-07.19	*	
1.4 CRDi (D4FC)		Diesel	FWD	1396	57	78	06.11-07.19	*	
1.4 CRDi (D4FC)		Diesel	FWD	1396	66	90	11.10-07.19	*	
1.6 CRDi (D4FB)		Diesel	FWD	1582	85	116	06.11-07.19	*	
1.6 CRDi (D4FB)		Diesel	FWD	1582	94	128	06.11-07.19	*	
<b>ix35 / TUCSON II 08.09-12.15</b>					<b>Furgoneta/SUV (Compact SUV-J Segment)</b>				
GDI		Gasolina	FWD	1591	99	135	05.15-12.15	*	
CRDi		Diesel	FWD	1685	85	116	09.10-12.15	*	
CRDi		Diesel	FWD	1995	100	136	08.09-12.15	*	
CRDi 4WD		Diesel	4WD	1995	100	136	08.09-12.15	*	
<b>ix35 / TUCSON II (LM, EL, ELH) 08.09-</b>					<b>SUV (Compact SUV-J Segment)</b>				
FCEV		Hidrógeno	FWD		53	72	10.12-	*	
Fuel Cell		Hidrógeno	FWD		100	136	09.14-12.15	*	
1.6 (G4FD)		Gasolina	FWD	1591	99	135	11.10-12.15	*	
2.0 CVVT (G4KD)		Gasolina	FWD	1998	110	150	08.09-07.13	*	
2.0 CVVT AWD (G4KD)		Gasolina	4WD	1998	110	150	08.09-07.13	*	
2.0 (G4KD)		Gasolina	FWD	1998	120	163	01.10-07.13	*	
2.0 4WD (G4KD)		Gasolina	4WD	1998	120	163	01.10-12.15	*	
2.0 (G4KD)		Gasolina	FWD	1998	122	166	01.10-12.15	*	
2.0 CVVT (G4NA)		Gasolina	FWD	1999	110	150	08.13-12.15	*	
2.0 CVVT 4WD (G4NA)		Gasolina	4WD	1999	110	150	08.13-12.15	*	
2.0		Gasolina	FWD	1999	112	152	09.14-	*	
2.0 (G4NA)		Gasolina	FWD	1999	113	154	08.13-12.15	*	
2.0 4WD (G4NA)		Gasolina	4WD	1999	113	154	09.14-12.15	*	
2.0 (G4NA)		Gasolina	FWD	1999	114	155	11.13-12.15	*	
2.0 AWD (G4NA)		Gasolina	4WD	1999	114	155	11.13-12.15	*	
2.0		Gasolina	FWD	1999	116	158	09.14-06.15	*	
2.0 4WD (G4NA)		Gasolina	4WD	1999	116	158	09.14-06.15	*	
2.0 CVVT 4WD (G4KD)		Gasolina	4WD	1999	122	166	08.09-12.15	*	
2.0 GDI (G4NC)		Gasolina	FWD	1999	122	166	08.13-12.15	*	
2.0 GDi 4WD (G4NC)		Gasolina	4WD	1999	122	166	08.13-12.15	*	
2.4 CVVT 4WD (G4KE)		Gasolina	4WD	2359	125	170	12.14-06.15	*	
2.4 DCVVT-I 4WD (G4KE)		Gasolina	4WD	2359	128	174	07.10-12.13	*	
2.4 4WD (G4KE)		Gasolina	4WD	2359	129	175	09.12-12.13	*	
2.4 4WD (G4KE)		Gasolina	4WD	2359	130	177	01.10-12.15	*	
2.4 GDI 4WD		Gasolina	4WD	2359	136	185	01.13-12.15	*	
2.0 Flex		Gasol./Etanol	FWD	1999	131	178	05.12-08.15	*	
1.7 CRDi (D4FD)		Diesel	FWD	1685	85	116	11.10-12.15	*	
2.0 CRDi (D4HA)		Diesel	FWD	1995	100	136	01.10-12.15	*	
2.0 CRDi 4WD (D4HA)		Diesel	4WD	1995	100	136	01.10-12.15	*	
2.0 CRDi (D4HA)		Diesel	FWD	1995	130	177	01.12-12.15	*	
2.0 CRDi 4WD (D4HA)		Diesel	4WD	1995	130	177	01.11-12.15	*	
2.0 CRDi (D4HA)		Diesel	FWD	1995	132	179	01.10-06.15	*	
2.0 CRDi 4WD (D4HA)		Diesel	4WD	1995	132	179	01.10-06.15	*	
2.0 CRDi (D4HA)		Diesel	FWD	1995	135	184	08.09-12.15	*	
2.0 CRDi 4WD (D4HA)		Diesel	4WD	1995	135	184	01.10-12.15	*	

# LISTA DE APLICACIONES - BUYERS GUIDE

<b>KONA (OS, OSE, OSI) 06.17-</b>					<b>Furgoneta/SUV (Subcompact SUV-B Segment)</b>			
1.0 T-GDI (G3LC)		Gasolina	FWD	998	88	120	07.17-	*
<b>KONA (OS, OSE, OSI) 06.17-</b>					<b>SUV (Subcompact SUV-B Segment)</b>			
1.0 T-GDI (G3LC)		Gasolina	FWD	998	88	120	07.17-04.23	*
1.6 T-GDI (G4FJ)		Gasolina	FWD	1591	130	177	07.17-12.20	*
1.6 T-GDi 4WD (G4FJ)		Gasolina	4WD	1591	130	177	06.17-03.23	*
1.6 T-GDI		Gasolina	FWD	1598	146	199	11.20-04.23	*
1.6 T-GDi 4WD		Gasolina	4WD	1598	146	199	11.20-04.23	*
2.0 (G4NH)		Gasolina	FWD	1999	110	150	07.17-03.23	*
1.0 T-GDI hybrid 48V		Gasol./el éc.	FWD	998	88	120	11.20-04.23	*
1.6 CRDi hybrid 48V		Diesel/el éc.	FWD	1598	100	136	11.20-08.21	*
1.6 CRDi Hybrid 48V 4WD		Diesel/el éc.	4WD	1598	100	136	11.20-08.21	*
1.6 CRDI		Diesel	FWD	1582	85	116	07.17-	*
1.6 CRDi e-VGT (D4FB)		Diesel	FWD	1582	100	136	07.17-	*
1.6 CRDi e-VGT AWD (D4FB)		Diesel	4WD	1582	100	136	07.17-	*
1.6 CRDI (D4FE)		Diesel	FWD	1598	85	116	08.18-11.20	*
1.6 CRDi e-VGT (D4FE)		Diesel	FWD	1598	100	136	08.18-08.21	*
1.6 CRDi e-VGT AWD (D4FE)		Diesel	4WD	1598	100	136	08.18-08.21	*
<b>SONATA V / EMBERA V (NF) 08.04-11.14</b>					<b>Sedán (Executive car-E Segment)</b>			
2.4 (G4KC)		Gasolina	FWD	2359	119	162	01.05-12.10	*
<b>SONATA VI / i45 VI (YF) 06.09-12.15</b>					<b>Sedán (Executive car-E Segment)</b>			
2.0 (G4KD)		Gasolina	FWD	1998	110	150	06.09-06.14	*
2.0 i (G4KD)		Gasolina	FWD	1998	120	163	09.12-06.14	*
2.0 i (G4KD)		Gasolina	FWD	1998	121	165	01.11-06.14	*
2.4 (G4KC)		Gasolina	FWD	2359	131	178	11.10-12.15	*
2.0 Hybrid (G4NA)		Gasol./el éc.	FWD	1999	110	150	01.11-06.14	*
2.4 Hybrid		Gasol./el éc.	FWD	2359	149	203	09.10-	*
<b>SONATA VII (LF) 03.14-06.23</b>					<b>Sedán (Executive car-E Segment)</b>			
1.6 (G4FJ)		Gasolina	FWD	1591	132	180	01.15-	*
1.6 (G4FJ)		Gasolina	FWD	1591	133	181	09.14-12.19	*
2.0 CVVT (G4NA)		Gasolina	FWD	1999	110	150	11.14-12.19	*
2.0 MPI (G4NA)		Gasolina	FWD	1999	115	157	06.14-12.19	*
2.0 CVVL		Gasolina	FWD	1999	124	169	09.14-12.19	*
2.4		Gasolina	FWD	2359	126	171	03.17-12.19	*
2.4 (G4KE)		Gasolina	FWD	2359	131	178	12.14-12.19	*
2.4 MPI		Gasolina	FWD	2359	131	178	01.15-	*
2.4 (G4KJ)		Gasolina	FWD	2359	138	188	09.14-12.19	*
2.4 GDI (G4KJ)		Gasolina	FWD	2359	142	193	09.14-12.19	*
2.0 LPG (G4NA)		Gasol./Gas (LPG)	FWD	1999	111	151	06.14-06.23	*
2.0 LPG (G4NA)		Gasol./Gas (LPG)	FWD	1999	113	154	09.14-12.19	*
2.0 Hybrid		Gasol./el éc.	FWD	1999	110	150	09.14-12.19	*
2.0 Hybrid		Gasol./el éc.	FWD	1999	115	156	06.16-	*
2.0 Hybrid		Gasol./el éc.	FWD	1999	153	208	09.14-	*
2.0 Gdi Hybrid		Gasol./el éc.	FWD	1999	165	224	09.14-	*

# LISTA DE APLICACIONES - BUYERS GUIDE

1.7 CRDi		Diesel	FWD	1685	104	141	01.15-12.19	*
<b>TUCSON III (TLE) 05.15-</b>					<b>Furgoneta/SUV (Compact SUV-J Segment)</b>			
1.6 T-GDI (G4FJ)		Gasolina	FWD	1591	130	177	06.15-12.20	*
1.6 CRDi (D4FE)		Diesel	FWD	1598	100	136	08.18-12.20	*
<b>TUCSON III (TL, TLE) 05.15-</b>					<b>SUV (Compact SUV-J Segment)</b>			
1.6 GDI (G4FD)		Gasolina	FWD	1591	96	130	06.15-09.20	*
1.6 GDI (G4FD)		Gasolina	FWD	1591	97	132	06.15-09.20	*
1.6 T-GDI (G4FJ)		Gasolina	FWD	1591	129	175	01.16-09.20	*
1.6 T-GDI (G4FJ)		Gasolina	FWD	1591	130	177	06.15-05.23	*
1.6 T-GDI A las 4 ruedas (G4FJ)		Gasolina	4WD	1591	130	177	06.15-09.20	*
1.6 T-GDI (G4FJ)		Gasolina	FWD	1591	131	178	06.15-09.20	*
2.0 CVVT (G4NA)		Gasolina	FWD	1999	110	150	06.15-09.20	*
2.0 CVVT A las 4 ruedas (G4NA)		Gasolina	4WD	1999	110	150	06.15-09.20	*
2.0 (G4NA)		Gasolina	FWD	1999	114	155	06.15-09.20	*
2.0		Gasolina	FWD	1999	115	156	06.15-09.20	*
2.4 GDI A las 4 ruedas (G4KJ)		Gasolina	4WD	2359	135	184	07.19-09.20	*
1.6 CRDi hybrid 48V (D4FE)		Diesel/el éc.	FWD	1598	85	116	03.19-12.20	*
1.6 CRDi hybrid 48V (D4FE)		Diesel/el éc.	FWD	1598	100	136	03.19-12.20	*
1.6 CRDi hybrid 48V A las 4 ruedas (D4FE)		Diesel/el éc.	4WD	1598	100	136	03.19-12.20	*
2.0 CRDi Hybrid 48V A las 4 ruedas (D4HA)		Diesel/el éc.	4WD	1995	136	185	10.18-12.20	*
1.6 CRDi (D4FE)		Diesel	FWD	1598	85	116	08.18-09.20	*
1.6 CRDi A las 4 ruedas (D4FE)		Diesel	4WD	1598	85	116	08.18-09.20	*
1.6 CRDi (D4FE)		Diesel	FWD	1598	100	136	08.18-12.20	*
1.6 CRDi A las 4 ruedas (D4FE)		Diesel	4WD	1598	100	136	08.18-12.20	*
1.7 CRDi (D4FD)		Diesel	FWD	1685	85	116	06.15-09.20	*
1.7 CRDi (D4FD)		Diesel	FWD	1685	104	141	06.15-09.20	*
2.0 CRDi (D4HA)		Diesel	FWD	1995	100	136	06.15-09.20	*
2.0 CRDi A las 4 ruedas (D4HA)		Diesel	4WD	1995	100	136	06.15-09.20	*
2.0 CRDi A las 4 ruedas		Diesel	4WD	1995	129	175	06.15-09.20	*
2.0 CRDi (D4HA)		Diesel	FWD	1995	131	178	06.15-09.20	*
2.0 CRDi A las 4 ruedas (D4HA)		Diesel	4WD	1995	131	178	06.15-09.20	*
2.0 CRDi (D4HA)		Diesel	FWD	1995	136	185	06.15-09.20	*
2.0 CRDi A las 4 ruedas (D4HA)		Diesel	4WD	1995	136	185	06.15-09.20	*
2.0 CRDi A las 4 ruedas		Diesel	4WD	1995	136	185	06.15-	*
<b>HYUNDAI (BEIJING)</b>								
<b>ENCINO (OS) 04.18-</b>					<b>SUV ()</b>			
1.6 TGDI (G4FJ)		Gasolina	FWD	1591	130	177	04.18-	*
<b>ix35 (LM) 04.10-</b>					<b>SUV (Compact SUV-J Segment)</b>			
2.0		Gasolina	FWD	1998	120	163	04.10-	*
2.0		Gasolina	FWD	1998	120	163	04.10-	*
2.0		Gasolina	FWD	1999	121	165	08.13-	*
2.0 Alas 4 ruedas		Gasolina	FWD	1999	121	165	08.13-	*
2.4 A las 4 ruedas (G4KE)		Gasolina	4WD	2359	125	170	04.12-	*
2.4		Gasolina	FWD	2359	128	174	04.10-	*
2.4		Gasolina	FWD	2359	128	174	04.10-	*
<b>MISTRA II (DU) 07.20-</b>					<b>Sedán (Large family car-D Segment)</b>			
270 TGD (G4FS)		Gasolina	FWD	1497	125	170	03.21-	*

# LISTA DE APLICACIONES - BUYERS GUIDE

1.8 (G4NK)		Gasolina	FWD	1797	105	143	03.21-	*
<b>KIA</b>								
<b>CADENZA II / K7 (YG) 01.16-</b>					<b>Sedán (Executive car-E Segment)</b>			
3.3 MPI (G6DF)		Gasolina	FWD	3342	199	271	01.16-	*
3.3 GDI (G6DM)		Gasolina	FWD	3342	209	284	01.16-	*
3.3 GDI (G6DM)		Gasolina	FWD	3342	213	290	01.16-06.19	*
<b>CERATO II / FORTE II / K3 II (TD) 01.09-</b>					<b>Sedán (Compact car-C Segment)</b>			
1.6 (G4FC)		Gasolina	FWD	1591	90	122	01.10-02.14	*
1.6 CVVT (G4FC)		Gasolina	FWD	1591	91	124	02.09-06.13	*
1.6 (G4FC)		Gasolina	FWD	1591	93	126	01.10-06.13	*
2.0 CVVT (G4KD)		Gasolina	FWD	1998	110	150	07.09-06.13	*
2.0 (G4KD)		Gasolina	FWD	1998	115	156	01.09-06.13	*
2.0		Gasolina	FWD	1998	116	158	07.10-	*
<b>CERATO II KOUP / FORTE KOUP / K3 (TD) 01.09-</b>					<b>Coupé (Compact car-C Segment)</b>			
1.6 CVVT (G4FC)		Gasolina	FWD	1591	93	126	01.10-06.13	*
2.0 CVVT (G4KD)		Gasolina	FWD	1998	115	156	01.09-06.13	*
2.4		Gasolina	FWD	2359	129	175	09.10-12.13	*
<b>CERATO III / FORTE III / K3 (YD) 09.12-</b>					<b>Sedán (Compact car-C Segment)</b>			
1.6 CVVT		Gasolina	FWD	1591	95	129	07.16-06.18	*
1.6 MPi (G4FG)		Gasolina	FWD	1591	96	130	06.13-05.17	*
1.6 GDI		Gasolina	FWD	1591	103	140	09.12-	*
2.0 MPi (G4KD)		Gasolina	FWD	1997	110	150	06.13-12.16	*
2.0 CVVT		Gasolina	FWD	1998	118	160	07.16-12.18	*
1.6 16V Flex (F4FA)		Gasol./Etanol	FWD	1591	94	128	06.13-09.19	*
1.6 VGT		Diesel	RWD	1582	94	128	09.12-	*
<b>CERATO III / FORTE III / K3 EURO (YD) 09.12-</b>					<b>[CAMBIADO]:Fastback (Compact car-C Segment)</b>			
1.6 CVVT (G4FC)		Gasolina	FWD	1591	95	129	11.14-	*
1.6 GDI		Gasolina	FWD	1591	103	140	09.12-	*
2.0 CVVT (G4NA)		Gasolina	FWD	1999	118	160	07.16-	*
<b>CERATO III KOUP / K3 KOUP (YD) 12.13-</b>					<b>Coupé (Compact car-C Segment)</b>			
1.6 GDI		Gasolina	FWD	1591	103	140	12.13-	*
1.6 T-GDI (G4FJ)		Gasolina	FWD	1591	150	204	12.13-	*
1.6 T-GDI		Gasolina	FWD	1591	152	207	07.16-	*
2.0 MPi		Gasolina	FWD	1998	110	150	12.13-	*
2.0 GDI (G4NC)		Gasolina	FWD	1998	118	161	09.14-	*
<b>FORTE II (U.S.A.) 09.10-</b>					<b>[CAMBIADO]:Fastback (Compact car-C Segment)</b>			
2.0		Gasolina	FWD	1998	116	158	09.11-	*
<b>FORTE II (U.S.A.) 09.09-</b>					<b>Coupé (Compact car-C Segment)</b>			
2.0		Gasolina	FWD	1998	116	158	09.09-	*
2.4		Gasolina	FWD	2359	127	173	09.09-	*
2.4		Gasolina	FWD	2359	129	175	09.12-	*
<b>FORTE II (U.S.A.) 09.09-</b>					<b>Sedán (Compact car-C Segment)</b>			
2.0		Gasolina	FWD	1998	116	158	09.09-	*
2.4		Gasolina	FWD	2359	129	175	09.09-	*
<b>OPTIMA III / K5 (FSGDS6B) 01.10-</b>					<b>Sedán (Executive car-E Segment)</b>			
2.0 CVVL (G4KD)		Gasolina	FWD	1998	121	165	03.12-12.15	*
2.0 (G4KD)		Gasolina	FWD	1998	125	170	03.12-12.15	*

# LISTA DE APLICACIONES - BUYERS GUIDE

2.0 (G4KH)		Gasolina	FWD	1998	204	277	09.10-12.15	*	
2.0 CVVT Hybrid (G4NE)		Gasol./el éc.	FWD	1999	110	150	03.12-	*	
2.0 CVVT Hybrid		Gasol./el éc.	FWD	1999	140	190	12.12-12.15	*	
<b>OPTIMA IV / K5 (JF) 09.15-</b>					<b>Sedán (Executive car-E Segment)</b>				
1.6		Gasolina	FWD	1591	133	180	09.15-	*	
2.0		Gasolina	FWD	1999	113	154	09.15-12.19	*	
2.0 CVVL (G4ND)		Gasolina	FWD	1999	120	163	09.15-12.19	*	
2.0 CVVL (G4ND)		Gasolina	FWD	1999	124	168	09.15-12.17	*	
2.4		Gasolina	FWD	2359	138	180	09.15-	*	
2.4 GDI (G4KJ)		Gasolina	FWD	2359	138	188	09.15-12.19	*	
2.0 LPI		Gasol./G as (LPG)	FWD	1999	113	153	09.15-	*	
2.0 Gdi Hybrid (G4NG)		Gasol./el éc.	FWD	1999	151	205	09.16-12.19	*	
1.7 CRDi (D4FD)		Diesel	FWD	1685	104	141	11.15-04.18	*	
<b>OPTIMA IV / K5 Sport Wagon (JF) 09.16-</b>					<b>[CAMBIADO]:Break (Executive car-E Segment)</b>				
2.0 CVVL		Gasolina	FWD	1999	120	163	09.16-12.19	*	
1.7 CRDi (D4FD)		Diesel	FWD	1685	104	141	09.16-04.18	*	
<b>OPTIMA V / K5 (DL3) 12.19-</b>					<b>Sedán (Executive car-E Segment)</b>				
2.0 LPG		LPG	FWD	1999	107	145	12.19-	*	
1.6 T-GDI		Gasolina	FWD	1598	132	179	12.19-	*	
2.0		Gasolina	FWD	1999	118	160	12.19-	*	
2.0 Hybrid		Gasol./el éc.	FWD	1999	143	194	12.19-	*	
<b>PICANTO II/MORNING/EURO STAR (TA) 05.11-</b>					<b>[CAMBIADO]:Fastback (City car-A Segment)</b>				
1.0 (G3LA)		Gasolina	FWD	998	49	67	05.11-03.17	*	
1.0 (G3LA)		Gasolina	FWD	998	51	69	05.11-03.17	*	
1.0		Gasolina	FWD	998	60	82	05.11-	*	
1.2 (G4LA)		Gasolina	FWD	1248	63	85	09.11-03.17	*	
1.2 (G4LA)		Gasolina	FWD	1248	64	87	09.11-02.17	*	
1.0 LPG (B3LA)		Gasol./G as (LPG)	FWD	998	49	67	08.13-03.17	*	
1.0 Bi-Fuel (B3LA)		Gasol./G as (LPG)	FWD	998	60	82	05.11-10.14	*	
1.0 Flex (G3LA)		Gasol./Et anol	FWD	998	59	80	08.11-12.17	*	
<b>RAY (RA) 11.11-</b>					<b>MPV (Mini MPV-M1 Segment)</b>				
1.0		Gasolina	FWD	998	57	78	11.11-	*	
1.0 LPG		Gasolina	FWD	998	57	78	11.11-	*	
1.0 TCI		Gasolina	FWD	998	78	106	11.11-	*	
<b>SELTOS (SP2, SP2I) 08.19-</b>					<b>SUV (Compact SUV-J Segment)</b>				
1.6 MPi 4WD (SP2) (G4FG)		Gasolina	4WD	1591	89	121	09.19-	*	
1.6 MPi (SP2) (G4FG)		Gasolina	FWD	1591	90	122	09.19-	*	
1.6 T-GDi 4WD (SP2) (G4FJ)		Gasolina	4WD	1591	130	177	09.19-06.22	*	
2.0 MPi (SP2) (G4NH)		Gasolina	FWD	1999	110	150	08.19-	*	
2.0 MPi 4WD (SP2) (G4NH)		Gasolina	4WD	1999	110	150	08.19-	*	
<b>SOUL II (PS) 02.14-</b>					<b>[CAMBIADO]:Fastback (Mini MPV-M1 Segment)</b>				
1.6 CVVT (G4FG)		Gasolina	FWD	1591	91	124	02.14-12.18	*	
1.6 CVVT		Gasolina	FWD	1591	95	129	07.16-12.18	*	
1.6 GDI (G4FD)		Gasolina	FWD	1591	97	132	02.14-12.18	*	
1.6 TGDI		Gasolina	FWD	1591	150	204	11.16-12.18	*	

# LISTA DE APLICACIONES - BUYERS GUIDE

2.0 CVVT (G4NA)		Gasolina	FWD	1999	110	150	08.16-12.18	*	
2.0 CVVT (G4NA)		Gasolina	FWD	1999	113	154	02.14-12.18	*	
1.6 LPG (G4FG)		Gasol./Gas (LPG)	FWD	1591	87	118	12.14-12.18	*	
1.6 LPG (G4FG)		Gasol./Gas (LPG)	FWD	1591	96	131	12.14-12.18	*	
1.6 CRDi 128 (D4FB)		Diesel	FWD	1582	94	126	02.14-12.18	*	
1.6 CRDi 136 (D4FB)		Diesel	FWD	1582	100	136	04.15-12.18	*	
<b>SPORTAGE III (SL) 09.09-</b>					<b>SUV (Compact SUV-J Segment)</b>				
1.6 GDI (G4FD)		Gasolina	FWD	1591	99	135	06.10-12.15	*	
2.0 CVVT (G4KD)		Gasolina	FWD	1998	110	150	06.10-12.13	*	
2.0 CVVT AWD (G4KD)		Gasolina	4WD	1998	110	150	06.10-12.13	*	
2.0 CVVT		Gasolina	FWD	1998	116	158	11.14-	*	
2.0 CVVT		Gasolina	FWD	1998	116	158	11.14-	*	
2.0 CVVT (G4KD)		Gasolina	FWD	1998	120	163	07.10-12.15	*	
2.0 CVVT AWD (G4KD)		Gasolina	4WD	1998	120	163	07.10-12.15	*	
2.0 CVVT (G4KD)		Gasolina	FWD	1998	122	166	07.10-12.15	*	
2.0 CVVT AWD (G4KD)		Gasolina	4WD	1998	122	166	07.10-12.15	*	
2.0 GDI (G4NC)		Gasolina	FWD	1998	122	166	02.14-12.15	*	
2.0 GDI AWD (G4NC)		Gasolina	4WD	1998	122	166	02.14-12.15	*	
2.0 CVVT (G4NA)		Gasolina	FWD	1999	110	150	01.14-12.15	*	
2.0 CVVT AWD (G4NA)		Gasolina	4WD	1999	110	150	01.14-12.15	*	
2.0 CVVT		Gasolina	FWD	1999	113	154	11.14-12.15	*	
2.0 CVVT AWD (G4NA)		Gasolina	4WD	1999	113	154	11.14-12.15	*	
2.4 i AWD (G4KE)		Gasolina	4WD	2359	130	177	08.10-12.15	*	
1.6 LPG (G4FD)		Gasol./Gas (LPG)	FWD	1591	99	135	01.14-12.15	*	
2.0 CVVT Flex		Gasol./Etanol	FWD	1998	131	178	02.12-12.16	*	
2.0 CVVT Flex AWD		Gasol./Etanol	4WD	1998	131	178	01.12-12.16	*	
1.7 CRDi (D4FD)		Diesel	FWD	1685	85	116	12.10-12.15	*	
2.0 CRDi (D4HA)		Diesel	FWD	1995	100	136	07.10-12.15	*	
2.0 CRDi AWD (D4HA)		Diesel	4WD	1995	100	136	07.10-12.15	*	
2.0 CRDi (D4HA)		Diesel	FWD	1995	130	177	08.12-12.16	*	
2.0 CRDi AWD (D4HA)		Diesel	4WD	1995	130	177	08.12-12.16	*	
2.0 CRDi (D4HA)		Diesel	FWD	1995	135	184	08.10-12.15	*	
2.0 CRDi AWD (D4HA)		Diesel	4WD	1995	135	184	08.10-12.15	*	
<b>SPORTAGE IV (QL, QLE) 09.15-</b>					<b>Furgoneta/SUV (Compact SUV-J Segment)</b>				
1.6 T-GDI (G4FJ)		Gasolina	FWD	1591	130	177	05.18-	*	
1.6 CRDi Eco-Dynamics+ AWD (D4FE)		Diesel/eléc.	FWD	1598	100	136	03.19-	*	
1.6 CRDi Eco-Dynamics+ AWD (D4FE)		Diesel/eléc.	4WD	1598	100	136	03.19-	*	
<b>SPORTAGE IV (QL, QLE) 01.15-</b>					<b>SUV (Compact SUV-J Segment)</b>				
1.6 GDI (G4FD)		Gasolina	FWD	1591	97	132	09.15-09.22	*	
1.6 T-GDI (G4FJ)		Gasolina	FWD	1591	130	177	09.15-09.22	*	
1.6 T-GDI AWD (G4FJ)		Gasolina	4WD	1591	130	177	09.15-09.22	*	
2.0 AWD (G4NA)		Gasolina	4WD	1999	110	150	12.15-09.22	*	
2.0 (G4NA)		Gasolina	FWD	1999	114	155	12.15-09.22	*	
2.0 AWD (G4NA)		Gasolina	4WD	1999	114	155	12.15-09.22	*	
2.0 (G4NA)		Gasolina	FWD	1999	115	157	12.15-09.22	*	
2.0 (G4NA)		Gasolina	FWD	1999	117	159	12.15-09.22	*	
2.0 Flex		Gasolina	FWD	1999	123	167	06.16-	*	

# LISTA DE APLICACIONES - BUYERS GUIDE

2.4 GDI AWD		Gasolina	4WD	2359	135	184	09.15-09.22	*
1.6 LPG (QLE) (G4FD)		Gasol./Gas (LPG)	FWD	1591	93	126	07.20-09.22	*
2.0 Alcohol		Gasol./Etanol	FWD	1999	114	155	12.15-09.22	*
1.6 CRDi Eco-Dynamics+ AWD (D4FE)		Diesel/eléc.	FWD	1598	85	116	03.19-09.22	*
1.6 CRDi Eco-Dynamics+ AWD (D4FE)		Diesel/eléc.	FWD	1598	100	136	03.19-09.22	*
1.6 CRDi Eco-Dynamics+ AWD (D4FE)		Diesel/eléc.	4WD	1598	100	136	03.19-09.22	*
2.0 CRDi Eco-Dynamics+ AWD (D4HA)		Diesel/eléc.	4WD	1995	136	185	06.18-09.22	*
1.6 CRDI (D4FE)		Diesel	FWD	1598	85	116	07.18-09.22	*
1.6 CRDI (D4FE)		Diesel	FWD	1598	100	136	07.18-09.22	*
1.6 CRDi AWD (D4FE)		Diesel	4WD	1598	100	136	07.18-09.22	*
1.7 CRDi (D4FD)		Diesel	FWD	1685	85	116	09.15-09.22	*
1.7 CRDi (D4FD)		Diesel	FWD	1685	104	141	11.16-09.22	*
2.0 CRDi (D4HA)		Diesel	FWD	1995	100	136	09.15-09.22	*
2.0 CRDi AWD (D4HA)		Diesel	4WD	1995	100	136	09.15-09.22	*
2.0 CRDi AWD		Diesel	4WD	1995	129	175	09.15-09.22	*
2.0 CRDi AWD (D4HA)		Diesel	4WD	1995	131	178	09.15-09.22	*
2.0 CRDi AWD		Diesel	4WD	1995	134	182	01.16-09.22	*
2.0 CRDi (D4HA)		Diesel	FWD	1995	136	185	09.15-09.22	*
2.0 CRDi AWD (D4HA)		Diesel	4WD	1995	136	185	09.15-09.22	*
<b>KIA (DYK)</b>								
<b>SPORTAGE III (NP) 04.18-</b>						<b>SUV (Compact SUV-J Segment)</b>		
2.0 (G4NA)		Gasolina	FWD	1999	118	161	04.18-	*
<b>SPORTAGE III ACE (NP) 07.21-</b>						<b>SUV (Compact SUV-J Segment)</b>		
2.0 (G4NJ)		Gasolina	FWD	1999	118	160	07.21-	*
<b>SOUEAST</b>								
<b>DX5 09.19-</b>						<b>SUV ()</b>		
1.5 (4A91)		Gasolina	FWD	1499	88	120	09.19-	*
1.5 (4A91T)		Gasolina	FWD	1499	115	156	09.19-	*
<b>TOYOTA</b>								
<b>CAMRY (_V1_) 10.82-07.88</b>						<b>Sedán (Executive car-E Segment)</b>		
1.8 Turbo-D (CV10_, CV10R) (1C-TL)		Diesel	FWD	1839	54	73	10.82-10.86	*
1.8 Turbo-D (CV10_, CV10R) (1C-TLC)		Diesel	FWD	1839	54	73	10.82-10.86	*