

LISTA DE APLICACIONES - BUYERS GUIDE

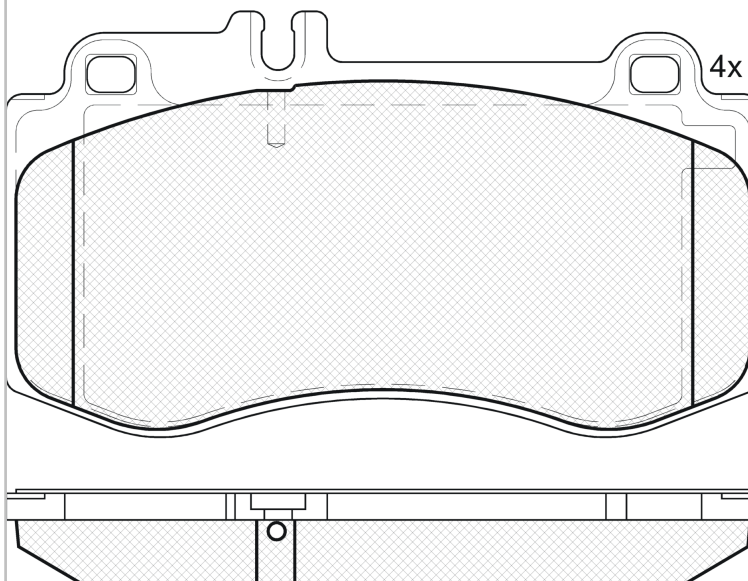
RB1950



Qty: 300

Weight: 2.445

O.E.M.	MAKE
000 420 82 04	MERCEDES-BENZ
0004201805	MERCEDES-BENZ
005 420 77 20	MERCEDES-BENZ
005 420 85 20	MERCEDES-BENZ
007 420 49 20	MERCEDES-BENZ
007 420 63 20	MERCEDES-BENZ
007 420 64 20	MERCEDES-BENZ



RB1950

E 9 90R-01111/2681



Brembo

141.6x79.9x17.5

WVA	FMSI
24976	D1420-8535

Sin Filas



Trac.	CC	Kw	CV
-------	----	----	----



Front / Rear

MERCEDES-BENZ

CLS-Class II (C218) 01.11-12.17

Coupé (Executive car-E Segment)

CLS 400 (218.365) (M 276.820)	Gasolina	RWD	2996	245	333	05.14-12.17	*
CLS 400 4-matic (218.368) (M 276.820)	Gasolina	4WD	2996	245	333	05.14-12.17	*
CLS 350 (218.359) (M 276.952)	Gasolina	RWD	3498	225	306	01.11-08.14	*
CLS 400 (218.361) (M 276.850)	Gasolina	RWD	3498	245	333	07.14-12.17	*
CLS 400 4-matic (218.368) (M 276.850)	Gasolina	4WD	3498	245	333	07.14-12.17	*
CLS 350 BlueTEC / d (218.926) (OM 642.852)	Diesel	RWD	2987	185	252	02.13-12.17	*
CLS 350 BlueTEC / d (218.926) (OM 642.853)	Diesel	RWD	2987	185	252	02.13-12.17	*
CLS 350 BlueTEC / d 4-matic (218.994) (OM 642.854)	Diesel	4WD	2987	185	252	02.13-12.17	*
CLS 350 BlueTEC / d 4-matic (218.994) (OM 642.858)	Diesel	4WD	2987	185	252	02.13-12.17	*
CLS 350 BlueTEC / d (218.926) (OM 642.852)	Diesel	RWD	2987	190	258	06.14-12.17	*
CLS 350 BlueTEC / d (218.926) (OM 642.853)	Diesel	RWD	2987	190	258	06.14-12.17	*
CLS 350 d 4-matic (218.394) (OM 642.854)	Diesel	4WD	2987	190	258	04.15-12.17	*
CLS 350 d 4-matic (218.394) (OM 642.858)	Diesel	4WD	2987	190	258	04.15-12.17	*
CLS 350 CDI / d (218.323) (OM 642.852)	Diesel	RWD	2987	195	265	01.11-08.14	*
CLS 350 CDI / d (218.323) (OM 642.853)	Diesel	RWD	2987	195	265	01.11-08.14	*
CLS 350 CDI / d 4-matic (218.993) (OM 642.854)	Diesel	4WD	2987	195	265	09.11-08.14	*
CLS 350 CDI / d 4-matic (218.993) (OM 642.858)	Diesel	4WD	2987	195	265	09.11-08.14	*

CLS-Class IIShooting Brake (X218) 10.12-

[CAMBIADO]:Break (Executive car-E Segment)

CLS 400 (218.965) (M 276.820)	Gasolina	RWD	2996	245	333	05.14-12.17	*
CLS 400 4-matic (218.968) (M 276.820)	Gasolina	4WD	2996	245	333	05.14-12.17	*
CLS 350 (218.959) (M 276.952)	Gasolina	RWD	3498	225	306	10.12-08.14	*
CLS 400 (218.961) (M 276.850)	Gasolina	RWD	3498	245	333	07.14-12.17	*

LISTA DE APLICACIONES - BUYERS GUIDE

CLS 400 4-matic (218.968) (M 276.850)		Gasolina	4WD	3498	245	333	07.14-12.17	*	
CLS 350 BlueTEC / d (218.926) (OM 642.852)		Diesel	RWD	2987	185	252	05.14-12.17	*	
CLS 350 BlueTEC / d (218.926) (OM 642.853)		Diesel	RWD	2987	185	252	05.14-12.17	*	
CLS 350 BlueTEC / d 4-matic (218.994) (OM 642.854)		Diesel	4WD	2987	185	252	05.14-12.17	*	
CLS 350 BlueTEC / d 4-matic (218.994) (OM 642.858)		Diesel	4WD	2987	185	252	05.14-12.17	*	
CLS 350 BlueTEC / d (218.926) (OM 642.852)		Diesel	RWD	2987	190	258	05.14-12.17	*	
CLS 350 BlueTEC / d (218.926) (OM 642.853)		Diesel	RWD	2987	190	258	05.14-12.17	*	
CLS 350 d 4-matic (218.994) (OM 642.854)		Diesel	4WD	2987	190	258	04.15-12.17	*	
CLS 350 d 4-matic (218.994) (OM 642.858)		Diesel	4WD	2987	190	258	04.15-12.17	*	
CLS 350 CDI / d (218.923) (OM 642.852)		Diesel	RWD	2987	195	265	10.12-08.14	*	
CLS 350 CDI / d (218.923) (OM 642.853)		Diesel	RWD	2987	195	265	10.12-08.14	*	
CLS 350 CDI / d 4-matic (218.993) (OM 642.853)		Diesel	4WD	2987	195	265	10.12-08.14	*	
CLS 350 CDI / d 4-matic (218.993) (OM 642.854)		Diesel	4WD	2987	195	265	10.12-08.14	*	
E-Class IV (A207) 01.10-					Cabrio (Executive car-E Segment)				
E 350 (207.459) (M 276.957)		Gasolina	RWD	3498	225	306	04.11-12.14	*	
E-Class IV (C207) 01.09-					Coupé (Executive car-E Segment)				
E 500 (207.373) (M 278.922)		Gasolina	RWD	4663	300	408	09.11-12.16	*	
E 500 (207.372) (M 273.966)		Gasolina	RWD	5461	285	388	01.09-12.16	*	
E-Class IV (W212) 01.09-					Sedán (Executive car-E Segment)				
E 400 (212.065) (M 276.820)		Gasolina	RWD	2996	245	333	01.13-12.16	*	
E 400 4-matic (212.067) (M 276.820)		Gasolina	4WD	2996	245	333	01.13-12.16	*	
E 350 (212.059) (M 276.952)		Gasolina	RWD	3498	225	306	09.11-12.15	*	
E 350 4-matic (212.088) (M 276.952)		Gasolina	4WD	3498	225	306	09.11-12.15	*	
E 400 (212.061) (M 276.850)		Gasolina	RWD	3498	245	333	07.14-12.15	*	
E 400 4-matic (212.099) (M 276.850)		Gasolina	4WD	3498	245	333	07.14-12.15	*	
E 500 (212.072) (M 273.971)		Gasolina	RWD	5461	285	388	01.09-12.11	*	
E 500 4-matic (212.090) (M 273.970)		Gasolina	4WD	5461	285	388	01.09-12.11	*	
5.5 E 550 V8 17"		Gasolina	FWD	5495	285	388	01.09-	*	
E 300 CDI / BlueTEC (212.227, 212.221) (OM 642.850)		Diesel	RWD	2987	170	231	03.11-12.15	*	
E 300 CDI / BlueTEC (212.227, 212.221) (OM 642.852)		Diesel	RWD	2987	170	231	03.11-12.15	*	
E 350 BlueTEC (212.026) (OM 642.852)		Diesel	RWD	2987	185	252	01.13-12.15	*	
E 350 BlueTEC 4-matic (212.294) (OM 642.858)		Diesel	4WD	2987	185	252	01.13-12.15	*	
E 350 BlueTEC (212.026) (OM 642.852)		Diesel	RWD	2987	190	258	05.14-12.15	*	
E 350 BlueTEC 4-matic (212.294) (OM 642.858)		Diesel	4WD	2987	190	258	05.14-12.15	*	
E 350 CDI (212.023) (OM 642.852)		Diesel	RWD	2987	195	265	03.11-12.15	*	
E 350 CDI 4-matic (212.093) (OM 642.858)		Diesel	4WD	2987	195	265	03.11-12.15	*	
E-Class IV T-Model (S212) 08.09-					[CAMBIADO]:Break (Executive car-E Segment)				
E 400 (212.265) (M 276.820)		Gasolina	RWD	2996	245	333	01.13-12.16	*	
E 400 4-matic (212.267) (M 276.820)		Gasolina	4WD	2996	245	333	01.13-12.16	*	
E 350 (212.259) (M 276.952)		Gasolina	RWD	3498	225	306	09.11-12.14	*	
E 350 4-matic (212.288) (M 276.952)		Gasolina	4WD	3498	225	306	09.11-12.16	*	
E 400 (212.261) (M 276.850)		Gasolina	RWD	3498	245	333	07.14-12.16	*	
E 400 4-matic (212.299) (M 276.850)		Gasolina	4WD	3498	245	333	07.14-12.16	*	
E 500 (212.272) (M 273.971)		Gasolina	RWD	5461	285	388	11.09-12.11	*	
E 350 BlueTEC (212.226) (OM 642.852)		Diesel	RWD	2987	185	252	11.12-12.16	*	
E 350 BlueTEC 4-matic (212.294) (OM 642.858)		Diesel	4WD	2987	185	252	11.12-12.16	*	
E 350 BlueTEC (212.226) (OM 642.852)		Diesel	RWD	2987	190	258	07.14-12.16	*	
E 350 BlueTEC 4-matic (212.294) (OM 642.852)		Diesel	4WD	2987	190	258	07.14-12.16	*	

LISTA DE APLICACIONES - BUYERS GUIDE

E 350 BlueTEC 4-matic (212.294) (OM 642.858)	Diesel	4WD	2987	190	258	07.14-12.16	*
E 350 CDI (212.223) (OM 642.852)	Diesel	RWD	2987	195	265	07.11-12.13	*
E 350 CDI 4-matic (212.293) (OM 642.858)	Diesel	4WD	2987	195	265	07.11-12.13	*