

# LISTA DE APLICACIONES - BUYERS GUIDE

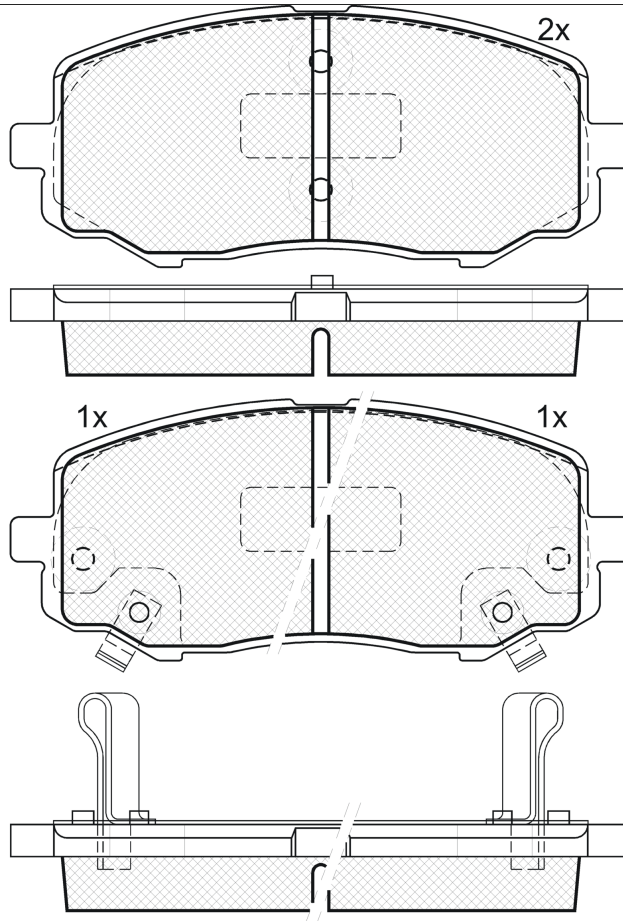
## RB1937



Qty: 300

Weight: 1.240

O.E.M.	MAKE
58101-0XA00	DODGE
58101-1JA60	HYUNDAI



## RB1937

**E 9** 90R-01111/2630



Mando

116.2x49x16.8

WVA	FMSI
24910	D1684-8913
24911	
24924	
24925	

Sin Filas



Trac.	CC	Kw	CV
-------	----	----	----



Front / Rear

### DODGE

**i 10 01.07-**

**[CAMBIADO]:Fastback (City car-A Segment)**

1.1	Gasolina	FWD	1086	49	66	01.12-	*
-----	----------	-----	------	----	----	--------	---

### HYUNDAI

**i20 / CLICK (PB, PBT) 08.08-**

**[CAMBIADO]:Fastback (Supermini car-B Segment)**

1.2 (G4AG)	Gasolina	FWD	1197	56	76	12.08-08.14	*
1.2	Gasolina	FWD	1197	59	80	08.08-08.14	*
1.2 (G4LA)	Gasolina	FWD	1248	57	78	09.08-12.12	*
1.2 (G4LA)	Gasolina	FWD	1248	63	86	03.12-12.15	*
1.4 (G4FA)	Gasolina	FWD	1396	74	101	09.08-12.15	*
1.6 (G4FC)	Gasolina	FWD	1591	93	126	09.08-12.12	*
1.2 LPG (G4LA)	Gasol./Gas (LPG)	FWD	1248	60	82	01.09-08.14	*
1.1 CRDi (D3FA)	Diesel	FWD	1120	55	75	03.12-12.15	*
1.4 CRDi (D4FC)	Diesel	FWD	1396	55	75	09.08-12.12	*
1.4 CRDi (D4FC)	Diesel	FWD	1396	66	90	08.08-12.15	*
1.6 CRDi (D4FB)	Diesel	FWD	1582	85	116	09.08-12.12	*
1.6 CRDi (D4FB)	Diesel	FWD	1582	94	128	01.09-12.12	*