

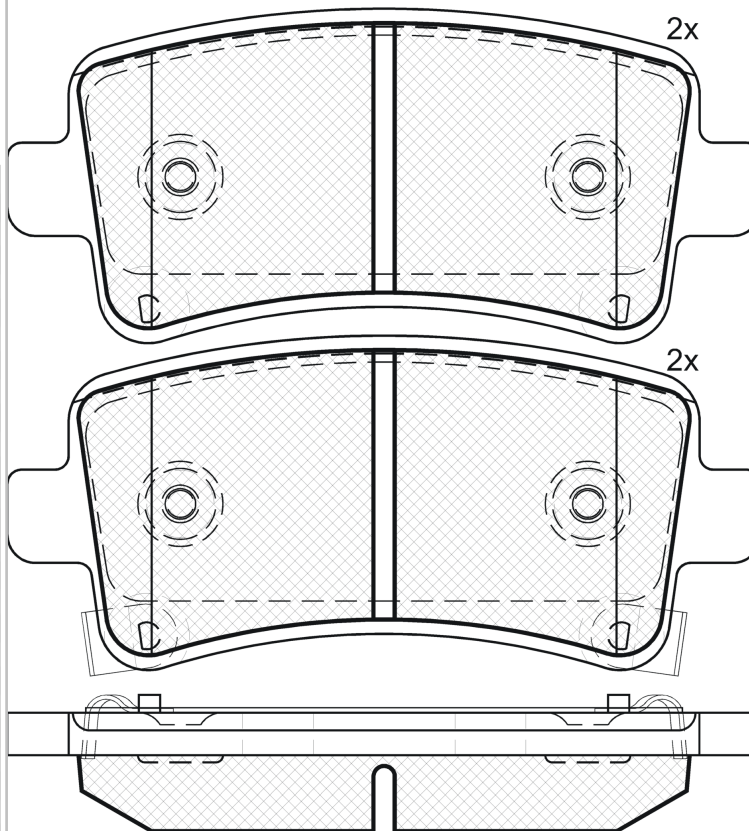
# LISTA DE APLICACIONES - BUYERS GUIDE

## RB1929



Qty: 300

Weight: 1.065



## RB1929

E 9 90R-01111/2257



Trw

106.4x47.21x17.4

**WVA**

24421

24422

**FMSI**

D1430-8547

Sin Filas

O.E.M.	MAKE
13 237 765	VAUXHALL
13 237 766	VAUXHALL
13 237 767	SAAB
13 338 368	SAAB
13 343 450	VAUXHALL
1323 7768	BUICK
16 05 103	OPEL
16 05 104	OPEL
16 05 221	OPEL
16 05 223	OPEL
16 05 366	VAUXHALL
16 05 367	VAUXHALL
16 58 660 9	VAUXHALL
16 586 609	OPEL
20 978 663	SAAB
2284 6359	CHEVROLET
2284 6361	CHEVROLET
2284 6362	CHEVROLET
2284 6363	CHEVROLET
5 42 027	OPEL
54 20 27	VAUXHALL
54 21 25	SAAB
95 51 5498	OPEL
95 514 644	VAUXHALL
95 515 497	OPEL



Trac.	CC	Kw	CV
-------	----	----	----



Front / Rear

### BENTLEY

FLYING SPUR (4W_) 03.13-				Sedán (Luxury car-F Segment)			
4.0	Gasolina	FWD	3993	389	529	09.14-	*
6.0 W12 (CVAA)	Gasolina	4WD	5998	460	626	03.13-10.20	*
6.0 W12 (DBDB)	Gasolina	4WD	5998	460	626	03.13-10.20	*
4.0 FLEX (CMMC)	Gasol./Etanol	4WD	3993	373	507	03.13-	*
4.0 FLEX (CYCB)	Gasol./Etanol	4WD	3993	373	507	03.13-	*
6.0 FLEX	Gasol./Etanol	4WD	5998	453	616	03.13-	*

### BUICK

LA CROSSE 09.04-12.09				Sedán (Executive car-E Segment)			
All models	Gasolina	FWD				09.04-	*
LA CROSSE II 06.09-				Sedán (Executive car-E Segment)			
3.6	Gasolina	FWD	3564	226	307	07.15-	*
REGAL V (U.S.A.) 09.10-				Sedán (Large family car-D Segment)			
2.4	Gasolina	FWD		136	185	09.10-	*
2.4 FLEX	Gasolina	FWD		136	185	09.11-	*

### CADILLAC

XTS (1P5) 09.11-				Sedán (Luxury car-F Segment)			
3.6 (LFX)	Gasolina	FWD	3564	227	309	09.11-	*

### CHEVROLET

# LISTA DE APLICACIONES - BUYERS GUIDE

<b>IMPALA X 01.13-</b>					<b>Sedán (Executive car-E Segment)</b>			
2.5		Gasolina	FWD	2457	145	197	07.13-12.16	*
2.5		Gasolina	FWD	2457	146	199	03.16-	*
3.6 (LFX)		Gasolina	FWD	3564	227	309	07.13-12.14	*
3.6 Bi-Fuel		Gasol./Gas (CNG)	FWD	3564	172	234	04.14-	*
3.6 FLEX (LFX)		Gasol./Etanol	FWD	3564	224	305	07.13-	*
3.6 FLEX		Gasol./Etanol	FWD	3564	226	307	07.13-12.14	*
3.6 FLEX		Gasol./Etanol	FWD	3564	227	309	07.13-	*
2.4 Hybrid		Gasol./eléc.	FWD	2384	136	185	07.13-12.14	*
2.4 Hybrid		Gasol./eléc.	FWD	2384	147	200	06.14-	*

<b>MALIBU VII 01.08-</b>					<b>Sedán (Executive car-E Segment)</b>			
2.0		Gasolina	FWD	1998	193	262	09.12-	*
2.4		Gasolina	FWD	2384	127	173	01.12-	*
3.6 (LY7)		Gasolina	FWD	3564	188	256	01.08-12.12	*

<b>MALIBU VIII (V300) 01.12-</b>					<b>Sedán (Executive car-E Segment)</b>			
1.6 T		Gasolina	FWD	1598	135	184	12.12-	*
2.0 LPG		Gasolina	FWD	1998	101	137	02.12-	*
2.0		Gasolina	FWD	1998	104	141	02.12-	*
2.0		Gasolina	FWD	1998	108	147	12.12-	*
2.0 (LTG)		Gasolina	FWD	1998	193	262	01.12-12.15	*
2.4 (LE9(145CUL4))		Gasolina	FWD	2384	123	167	01.12-	*
2.4 (LE9(145CUL4))		Gasolina	FWD	2384	125	170	01.12-	*
2.4		Gasolina	FWD	2384	137	186	01.12-	*
3.0 (LFW)		Gasolina	FWD	2997	196	267	04.13-	*
2.0 D		Diesel	FWD	1956	115	156	04.12-	*
2.0 D (LBS)		Diesel	FWD	1956	118	160	04.12-	*

## OPEL

<b>INSIGNIA A (G09) 07.08-</b>					<b>[CAMBIADO]:Fastback (Executive car-E Segment)</b>			
1.4 (68) (A 14 NET)		Gasolina	FWD	1364	103	140	04.11-03.17	*
1.4 (68) (B 14 NET)		Gasolina	FWD	1364	103	140	04.11-03.17	*
1.6 (68) (A 16 XER)		Gasolina	FWD	1598	85	116	07.08-03.17	*
1.6 SIDI (68) (A 16 XHT)		Gasolina	FWD	1598	125	170	03.13-03.17	*
1.6 SIDI (68) (B 16 SHL)		Gasolina	FWD	1598	125	170	03.13-03.17	*
1.6 Turbo (68) (A 16 LET)		Gasolina	FWD	1598	132	180	07.08-03.17	*
1.8 (68) (A 18 XER)		Gasolina	FWD	1796	103	140	07.08-03.17	*
1.8 (68) (B 18 XER)		Gasolina	FWD	1796	103	140	07.08-03.17	*
2.0 Turbo (68) (A 20 NHT)		Gasolina	FWD	1998	162	220	07.08-03.17	*
2.0 Turbo 4x4 (68) (A 20 NHT)		Gasolina	4WD	1998	162	220	07.08-03.17	*
2.0 Turbo (68) (A 20 NHT)		Gasolina	FWD	1998	184	250	04.14-03.17	*
2.0 Turbo (68) (B 20 NHT)		Gasolina	FWD	1998	184	250	04.14-03.17	*
2.0 Turbo 4x4 (68) (A 20 NHT)		Gasolina	4WD	1998	184	250	07.11-03.17	*
2.0 Turbo 4x4 (68) (A 20 NHT)		Gasolina	4WD	1998	184	250	07.11-03.17	*
2.0 Turbo 4x4 (68) (B 20 NHT)		Gasolina	4WD	1998	184	250	07.11-03.17	*
2.8 V6 Turbo 4x4 (68) (A 28 NET)		Gasolina	4WD	2792	191	260	07.08-03.17	*
2.8 V6 Turbo OPC 4x4 (68) (A 28 NER)		Gasolina	4WD	2792	239	325	07.09-03.17	*
2.8 V6 Turbo OPC 4x4 (68) (B 28 NER)		Gasolina	4WD	2792	239	325	07.09-03.17	*

# LISTA DE APLICACIONES - BUYERS GUIDE

1.4 LPG (68) (A 14 NET)		Gasol./Gas (LPG)	FWD	1364	103	140	07.12-03.17	*	
1.4 LPG (68) (B 14 NET)		Gasol./Gas (LPG)	FWD	1364	103	140	07.12-03.17	*	
2.0 E85 Turbo (68) (A 20 NFT)		Gasol./Etanol	FWD	1998	162	220	10.10-03.17	*	
1.6 CDTi (68) (B 16 DTJ)		Diesel	FWD	1598	88	120	07.15-03.17	*	
1.6 CDTi (68) (B 16 DTH)		Diesel	FWD	1598	100	136	07.15-03.17	*	
2.0 CDTI (68) (A 20 DTC)		Diesel	FWD	1956	81	110	07.08-03.17	*	
2.0 CDTI (68) (A 20 DTL)		Diesel	FWD	1956	81	110	07.08-03.17	*	
2.0 CDTI (68) (A 20 DTE)		Diesel	FWD	1956	88	120	03.12-03.17	*	
2.0 CDTI (68) (A 20 DT)		Diesel	FWD	1956	96	131	07.08-03.17	*	
2.0 CDTI (68) (A 20 DTJ)		Diesel	FWD	1956	96	131	07.08-03.17	*	
2.0 CDTI (68) (A 20 DTE)		Diesel	FWD	1956	103	140	06.13-03.17	*	
2.0 CDTI (68) (A 20 DTH)		Diesel	FWD	1956	118	160	07.08-03.17	*	
2.0 CDTI 4x4 (68) (A 20 DTH)		Diesel	4WD	1956	118	160	06.10-03.17	*	
2.0 CDTI (68) (A 20 DTH)		Diesel	FWD	1956	120	163	07.13-03.17	*	
2.0 CDTI 4x4 (68) (A 20 DTH)		Diesel	4WD	1956	120	163	07.13-03.17	*	
2.0 CDTI (68) (B 20 DTH)		Diesel	FWD	1956	125	170	11.14-03.17	*	
2.0 CDTI 4x4 (68) (B 20 DTH)		Diesel	4WD	1956	125	170	11.14-03.17	*	
2.0 Biturbo CDTI (68) (A 20 DTR)		Diesel	FWD	1956	140	190	07.08-12.11	*	
2.0 Biturbo CDTI 4x4 (68) (A 20 DTR)		Diesel	4WD	1956	140	190	05.09-12.11	*	
2.0 Biturbo CDTI (68) (A 20 DTR)		Diesel	FWD	1956	143	195	01.12-03.17	*	
2.0 Biturbo CDTI 4x4 (68) (A 20 DTR)		Diesel	4WD	1956	143	195	01.12-03.17	*	
<b>INSIGNIA A (G09) 07.08-</b>							<b>Sedán (Executive car-E Segment)</b>		
1.4 (69) (A 14 NET)		Gasolina	FWD	1364	103	140	04.11-03.17	*	
1.4 (69) (B 14 NET)		Gasolina	FWD	1364	103	140	04.11-03.17	*	
1.6 (69) (A 16 XER)		Gasolina	FWD	1598	85	116	07.08-03.17	*	
1.6 SIDI (69) (A 16 XHT)		Gasolina	FWD	1598	125	170	03.13-03.17	*	
1.6 SIDI (69) (B 16 SHL)		Gasolina	FWD	1598	125	170	03.13-03.17	*	
1.6 Turbo (69) (A 16 LET)		Gasolina	FWD	1598	132	180	07.08-03.17	*	
1.8 (69) (A 18 XER)		Gasolina	FWD	1796	103	140	07.08-03.17	*	
1.8 (69) (B 18 XER)		Gasolina	FWD	1796	103	140	07.08-03.17	*	
2.0 Turbo (69) (A 20 NHT)		Gasolina	FWD	1998	162	220	07.08-03.17	*	
2.0 Turbo 4x4 (69) (A 20 NHT)		Gasolina	4WD	1998	162	220	07.08-03.17	*	
2.0 Turbo (69) (A 20 NHT)		Gasolina	FWD	1998	184	250	04.14-03.17	*	
2.0 Turbo (69) (B 20 NHT)		Gasolina	FWD	1998	184	250	04.14-03.17	*	
2.0 Turbo 4x4 (69) (A 20 NFT)		Gasolina	4WD	1998	184	250	07.11-03.17	*	
2.0 Turbo 4x4 (69) (A 20 NHT)		Gasolina	4WD	1998	184	250	07.11-03.17	*	
2.0 Turbo 4x4 (69) (B 20 NHT)		Gasolina	4WD	1998	184	250	07.11-03.17	*	
2.8 V6 Turbo 4x4 (69) (A 28 NET)		Gasolina	4WD	2792	191	260	07.08-03.17	*	
2.8 V6 Turbo OPC 4x4 (69) (A 28 NER)		Gasolina	4WD	2792	239	325	07.09-03.17	*	
2.8 V6 Turbo OPC 4x4 (69) (B 28 NER)		Gasolina	4WD	2792	239	325	07.09-03.17	*	
1.4 LPG (69) (A 14 NET)		Gasol./Gas (LPG)	FWD	1364	103	140	07.12-03.17	*	
1.4 LPG (69) (B 14 NET)		Gasol./Gas (LPG)	FWD	1364	103	140	07.12-03.17	*	
2.0 Turbo E85 (69) (A 20 NFT)		Gasol./Etanol	FWD	1998	162	220	07.08-03.17	*	
1.6 CDTi (69) (B 16 DTJ)		Diesel	FWD	1598	88	120	07.15-03.17	*	
1.6 CDTi (69) (B 16 DTH)		Diesel	FWD	1598	100	136	07.15-03.17	*	
2.0 CDTI (69) (A 20 DTC)		Diesel	FWD	1956	81	110	07.08-03.17	*	
2.0 CDTI (69) (A 20 DTL)		Diesel	FWD	1956	81	110	07.08-03.17	*	
2.0 CDTI (69) (A 20 DTE)		Diesel	FWD	1956	88	120	03.12-03.17	*	

# LISTA DE APLICACIONES - BUYERS GUIDE

2.0 CDTI (69) (A 20 DT)		Diesel	FWD	1956	96	131	07.08-03.17	*	
2.0 CDTI (69) (A 20 DTJ)		Diesel	FWD	1956	96	131	07.08-03.17	*	
2.0 CDTI (69) (A 20 DTE)		Diesel	FWD	1956	103	140	06.13-03.17	*	
2.0 CDTI (69) (A 20 DTH)		Diesel	FWD	1956	118	160	07.08-03.17	*	
2.0 CDTI 4x4 (69) (A 20 DTH)		Diesel	4WD	1956	118	160	06.10-03.17	*	
2.0 CDTI (69) (A 20 DTH)		Diesel	FWD	1956	120	163	07.13-03.17	*	
2.0 CDTI 4x4 (69) (A 20 DTH)		Diesel	4WD	1956	120	163	07.13-03.17	*	
2.0 CDTI (69) (B 20 DTH)		Diesel	FWD	1956	125	170	11.14-03.17	*	
2.0 CDTI 4x4 (69) (B 20 DTH)		Diesel	4WD	1956	125	170	11.14-03.17	*	
2.0 Biturbo CDTI (69) (A 20 DTR)		Diesel	FWD	1956	140	190	07.08-12.11	*	
2.0 Biturbo CDTI 4x4 (69) (A 20 DTR)		Diesel	4WD	1956	140	190	07.08-12.11	*	
2.0 Biturbo CDTI (69) (A 20 DTR)		Diesel	FWD	1956	143	195	01.12-03.17	*	
2.0 Biturbo CDTI 4x4 (69) (A 20 DTR)		Diesel	4WD	1956	143	195	01.12-03.17	*	
<b>INSIGNIA A Country Tourer (G09) 07.08-03.17</b>							<b>[CAMBIADO]:Break (Executive car-E Segment)</b>		
1.6 SIDI (47) (A 16 XHT)		Gasolina	FWD	1598	125	170	07.14-03.17	*	
1.6 SIDI (47) (B 16 SHL)		Gasolina	FWD	1598	125	170	07.14-03.17	*	
2.0 Turbo 4x4 (47) (A 20 NFT)		Gasolina	4WD	1998	184	250	09.13-03.17	*	
2.0 Turbo 4x4 (47) (A 20 NHT)		Gasolina	4WD	1998	184	250	09.13-03.17	*	
2.0 Turbo 4x4 (47) (B 20 NHT)		Gasolina	4WD	1998	184	250	09.13-03.17	*	
1.6 CDTi (47) (B 16 DTJ)		Diesel	FWD	1598	88	120	07.15-03.17	*	
1.6 CDTi (47) (B 16 DTH)		Diesel	FWD	1598	100	136	07.15-03.17	*	
2.0 CDTi (47) (A 20 DTE)		Diesel	FWD	1956	88	120	03.12-03.17	*	
2.0 CDTi (47) (A 20 DT)		Diesel	FWD	1956	96	131	07.08-03.17	*	
2.0 CDTi (47) (A 20 DTJ)		Diesel	FWD	1956	96	131	07.08-03.17	*	
2.0 CDTi (47) (A 20 DTH)		Diesel	FWD	1956	120	163	07.14-03.17	*	
2.0 CDTi 4x4 (47) (A 20 DTH)		Diesel	4WD	1956	120	163	09.13-03.17	*	
2.0 CDTi (47) (B 20 DTH)		Diesel	FWD	1956	125	170	11.14-03.17	*	
2.0 CDTi 4x4 (47) (B 20 DTH)		Diesel	4WD	1956	125	170	11.14-03.17	*	
2.0 CDTi 4x4 (47) (A 20 DTR)		Diesel	4WD	1956	143	194	09.13-03.17	*	
<b>INSIGNIA A Sports Tourer (G09) 07.08-</b>							<b>[CAMBIADO]:Break (Executive car-E Segment)</b>		
1.4 (35) (A 14 NET)		Gasolina	FWD	1364	103	140	04.11-03.17	*	
1.4 (35) (B 14 NET)		Gasolina	FWD	1364	103	140	04.11-03.17	*	
1.6 (35) (A 16 XER)		Gasolina	FWD	1598	85	116	07.08-06.12	*	
1.6 SIDI (35) (A 16 XHT)		Gasolina	FWD	1598	125	170	06.13-03.17	*	
1.6 SIDI (35) (B 16 SHL)		Gasolina	FWD	1598	125	170	06.13-03.17	*	
1.6 Turbo (35) (A 16 LET)		Gasolina	FWD	1598	132	180	01.09-06.13	*	
1.8 (35) (A 18 XER)		Gasolina	FWD	1796	103	140	07.08-03.17	*	
1.8 (35) (B 18 XER)		Gasolina	FWD	1796	103	140	07.08-03.17	*	
2.0 Turbo (35) (A 20 NFT)		Gasolina	FWD	1998	162	220	07.08-06.13	*	
2.0 Turbo (35) (A 20 NHT)		Gasolina	FWD	1998	162	220	07.08-06.13	*	
2.0 Turbo 4x4 (35) (A 20 NHT)		Gasolina	4WD	1998	162	220	07.08-06.11	*	
2.0 Turbo (35) (A 20 NHT)		Gasolina	FWD	1998	184	250	04.14-03.17	*	
2.0 Turbo (35) (B 20 NHT)		Gasolina	FWD	1998	184	250	04.14-03.17	*	
2.0 Turbo 4x4 (35) (A 20 NFT)		Gasolina	4WD	1998	184	250	09.11-03.17	*	
2.0 Turbo 4x4 (35) (A 20 NHT)		Gasolina	4WD	1998	184	250	09.11-03.17	*	
2.0 Turbo 4x4 (35) (B 20 NHT)		Gasolina	4WD	1998	184	250	09.11-03.17	*	
2.8 V6 Turbo 4x4 (35) (A 28 NET)		Gasolina	4WD	2792	191	260	10.08-06.13	*	
2.8 V6 Turbo OPC 4x4 (35) (A 28 NER)		Gasolina	4WD	2792	239	325	07.09-03.17	*	
2.8 V6 Turbo OPC 4x4 (35) (B 28 NER)		Gasolina	4WD	2792	239	325	07.09-03.17	*	
1.4 LPG (35) (A 14 NET)		Gasol./Gas (LPG)	FWD	1364	103	140	09.12-03.17	*	

# LISTA DE APLICACIONES - BUYERS GUIDE

1.4 LPG (35) (B 14 NET)		Gasol./Gas (LPG)	FWD	1364	103	140	09.12-03.17	*
2.0 E85 Turbo (35) (A 20 NFT)		Gasol./Etanol	FWD	1998	162	220	09.10-11.11	*
1.6 CDTi (35) (B 16 DTJ)		Diesel	FWD	1598	88	120	07.15-01.17	*
1.6 CDTi (35) (B 16 DTH)		Diesel	FWD	1598	100	136	07.15-12.16	*
2.0 CDTi (35) (A 20 DTC)		Diesel	FWD	1956	81	110	07.08-06.13	*
2.0 CDTi (35) (A 20 DTL)		Diesel	FWD	1956	81	110	07.08-06.13	*
2.0 CDTi (35) (A 20 DTE)		Diesel	FWD	1956	88	120	03.12-06.15	*
2.0 CDTi (35) (A 20 DT)		Diesel	FWD	1956	96	131	07.08-06.15	*
2.0 CDTi (35) (A 20 DTJ)		Diesel	FWD	1956	96	131	07.08-06.15	*
2.0 CDTi (35) (A 20 DTE)		Diesel	FWD	1956	103	140	07.13-06.15	*
2.0 CDTi (35) (A 20 DTH)		Diesel	FWD	1956	118	160	07.08-06.15	*
2.0 CDTi 4x4 (35) (A 20 DTH)		Diesel	4WD	1956	118	160	06.10-06.15	*
2.0 CDTi (35) (A 20 DTH)		Diesel	FWD	1956	120	163	07.13-06.15	*
2.0 CDTi 4x4 (35) (A 20 DTH)		Diesel	4WD	1956	120	163	07.13-06.15	*
2.0 CDTi (35) (B 20 DTH)		Diesel	FWD	1956	125	170	11.14-12.16	*
2.0 CDTi 4x4 (35) (B 20 DTH)		Diesel	4WD	1956	125	170	11.14-12.16	*
2.0 Biturbo CDTi (35) (A 20 DTR)		Diesel	FWD	1956	140	190	07.08-03.17	*
2.0 Biturbo CDTi 4x4 (35) (A 20 DTR)		Diesel	4WD	1956	140	190	07.08-03.17	*
2.0 Biturbo CDTi (35) (A 20 DTR)		Diesel	FWD	1956	143	195	01.12-06.15	*
2.0 Biturbo CDTi 4x4 (35) (A 20 DTR)		Diesel	4WD	1956	143	195	01.12-06.15	*

## SAAB

<b>9-5 II (YS3G) 01.10-01.12</b>							<b>Sedán (Executive car-E Segment)</b>		
1.6 i 16V 16"		Gasolina	FWD	1595	85	116	01.10-	*	
1.6 Turbo (A 16 LET)		Gasolina	FWD	1598	132	180	05.10-01.12	*	
2.0 Turbo (A 20 NHT)		Gasolina	FWD	1998	162	220	05.10-01.12	*	
2.0 Turbo XWD (A 20 NHT)		Gasolina	4WD	1998	162	220	05.10-01.12	*	
2.8 Turbo V6 XWD (A 28 NER)		Gasolina	4WD	2792	221	301	05.10-01.12	*	
2.0 t Biopower (A 20 NFT)		Gasol./Etanol	FWD	1998	162	220	05.10-01.12	*	
2.0 t BioPower XWD (A 20 NHT)		Gasol./Etanol	4WD	1998	162	220	05.10-01.12	*	
2.0 TiD (A 20 DTH)		Diesel	FWD	1956	118	160	05.10-01.12	*	
2.0 TTiD (A 20 DTR)		Diesel	FWD	1956	140	190	05.10-01.12	*	
2.0 TTiD XWD (A 20 DTR)		Diesel	4WD	1956	140	190	05.10-01.12	*	

## VAUXHALL

<b>INSIGNIA Mk I (A) (G09) 07.08-05.17</b>							<b>[CAMBIADO]:Fastback (Executive car-E Segment)</b>		
1.4 (68) (A 14 NET)		Gasolina	FWD	1364	103	140	04.11-05.17	*	
1.4 (68) (B 14 NET)		Gasolina	FWD	1364	103	140	04.11-05.17	*	
1.6 (A 16 XER)		Gasolina	FWD	1598	85	116	07.08-07.12	*	
1.6 Turbo (68) (A 16 XHT)		Gasolina	FWD	1598	125	170	07.13-05.17	*	
1.6 Turbo (68) (A 16 LET)		Gasolina	FWD	1598	132	180	01.09-05.17	*	
1.8 (68) (A 18 XER)		Gasolina	FWD	1796	103	140	07.08-05.17	*	
1.8 (68) (B 18 XER)		Gasolina	FWD	1796	103	140	07.08-05.17	*	
2.0 Turbo (68) (A 20 NFT)		Gasolina	FWD	1998	162	220	07.08-05.17	*	
2.0 Turbo (68) (A 20 NHT)		Gasolina	FWD	1998	162	220	07.08-05.17	*	
2.0 Turbo 4x4 (68) (A 20 NHT)		Gasolina	4WD	1998	162	220	07.08-05.17	*	
2.0 Turbo (68) (A 20 NHT)		Gasolina	FWD	1998	184	250	07.11-05.17	*	
2.0 Turbo (68) (B 20 NHT)		Gasolina	FWD	1998	184	250	07.11-05.17	*	
2.0 Turbo 4x4 (68)		Gasolina	4WD	1998	184	250	09.11-05.17	*	
2.0 Turbo 4x4 (68)		Gasolina	4WD	1998	184	250	07.11-05.17	*	

## LISTA DE APLICACIONES - BUYERS GUIDE

2.8 V6 Turbo 4x4 (68) (A 28 NET)	Gasolina	4WD	2792	191	260	07.08-05.17	*
2.8 VXR (68) (A 28 NER)	Gasolina	4WD	2792	239	325	07.09-05.17	*
2.8 VXR (68) (B 28 NER)	Gasolina	4WD	2792	239	325	07.09-05.17	*
1.4 LPG (68) (A 14 NET)	Gasol./Gas (LPG)	FWD	1364	103	140	07.12-05.17	*
1.6 CDTi (68) (B 16 DTH)	Diesel	FWD	1598	100	136	07.15-05.17	*
2.0 CDTI (68) (A 20 DTE)	Diesel	FWD	1956	88	120	03.12-03.16	*
2.0 CDTI (68) (A 20 DT)	Diesel	FWD	1956	96	130	07.08-12.14	*
2.0 CDTI (68) (A 20 DTJ)	Diesel	FWD	1956	96	130	07.08-12.14	*
2.0 CDTI (68) (A 20 DTE)	Diesel	FWD	1956	103	140	07.13-05.17	*
2.0 CDTI (68) (A 20 DTH)	Diesel	FWD	1956	118	160	07.08-05.17	*
2.0 CDTI 4x4 (68) (A 20 DTH)	Diesel	4WD	1956	118	160	07.08-05.17	*
2.0 CDTI (68) (A 20 DTH)	Diesel	FWD	1956	120	163	07.13-05.17	*
2.0 CDTI (68) (B 20 DTH)	Diesel	FWD	1956	125	170	11.14-05.17	*
2.0 CDTI 4x4 (68) (B 20 DTH)	Diesel	4WD	1956	125	170	11.14-05.17	*
2.0 CDTI (68) (A 20 DTR)	Diesel	FWD	1956	140	190	10.08-05.17	*
2.0 CDTI 4x4 (68) (A 20 DTR)	Diesel	4WD	1956	140	190	05.09-05.17	*
2.0 Biturbo CDTI (68) (A 20 DTR)	Diesel	FWD	1956	143	195	03.12-05.17	*
2.0 Biturbo CDTI 4x4 (68) (A 20 DTR)	Diesel	4WD	1956	143	195	03.12-05.17	*
<b>INSIGNIA Mk I (A) (G09) 07.08-05.17</b>							<b>Sedán (Executive car-E Segment)</b>
1.4 (69) (A 14 NET)	Gasolina	FWD	1364	103	140	04.11-05.17	*
1.6	Gasolina	FWD	1598	85	116	07.08-05.17	*
1.6 (A 16 XER)	Gasolina	FWD	1598	85	116	07.08-07.12	*
1.6 SIDI	Gasolina	FWD	1598	125	170	03.13-05.17	*
1.6 Turbo (69) (A 16 LET)	Gasolina	FWD	1598	132	180	01.09-05.17	*
1.8 (69) (A 18 XER)	Gasolina	FWD	1796	103	140	07.08-05.17	*
2.0 Turbo (69) (A 20 NFT)	Gasolina	FWD	1998	162	220	07.08-05.17	*
2.0 Turbo (69) (A 20 NHT)	Gasolina	FWD	1998	162	220	07.08-05.17	*
2.0 Turbo 4x4 (69) (A 20 NHT)	Gasolina	4WD	1998	162	220	07.08-05.17	*
2.0 Turbo (69) (A 20 NHT)	Gasolina	FWD	1998	184	250	09.11-05.17	*
2.0 Turbo (69) (B 20 NHT)	Gasolina	FWD	1998	184	250	09.11-05.17	*
2.0 Turbo 4x4 (69) (A 20 NHT)	Gasolina	4WD	1998	184	250	09.11-05.17	*
2.0 Turbo 4x4 (69) (B 20 NHT)	Gasolina	4WD	1998	184	250	09.11-05.17	*
2.8 V6 Turbo 4x4 (69) (A 28 NET)	Gasolina	4WD	2792	191	260	07.08-05.17	*
2.8 VXR (69) (A 28 NER)	Gasolina	4WD	2792	239	325	07.09-05.17	*
1.4 LPG (69) (A 14 NET)	Gasol./Gas (LPG)	FWD	1364	103	140	07.12-05.17	*
1.6 CDTi (69) (B 16 DTH)	Diesel	FWD	1598	100	136	07.15-05.17	*
2.0 CDTI (69)	Diesel	FWD	1956	81	110	07.08-05.17	*
2.0 CDTI (69) (A 20 DT)	Diesel	FWD	1956	96	130	07.08-12.14	*
2.0 CDTI (69) (A 20 DTJ)	Diesel	FWD	1956	96	130	07.08-12.14	*
2.0 CDTI (69) (A 20 DTE)	Diesel	FWD	1956	103	140	07.13-05.17	*
2.0 CDTI (69) (A 20 DTH)	Diesel	FWD	1956	118	160	07.08-05.17	*
2.0 CDTI 4x4 (69) (A 20 DTH)	Diesel	4WD	1956	118	160	07.08-05.17	*
2.0 CDTI (69) (A 20 DTH)	Diesel	FWD	1956	120	163	07.13-05.17	*
2.0 CDTI (69) (B 20 DTH)	Diesel	FWD	1956	125	170	11.14-05.17	*
2.0 CDTI 4x4 (69) (B 20 DTH)	Diesel	4WD	1956	125	170	11.14-05.17	*
2.0 CDTI (69) (A 20 DTR)	Diesel	FWD	1956	140	190	11.08-05.17	*
2.0 CDTI 4x4 (69) (A 20 DTR)	Diesel	4WD	1956	140	190	05.09-05.17	*
2.0 Biturbo CDTI (69) (A 20 DTR)	Diesel	FWD	1956	143	195	03.12-05.17	*
2.0 Biturbo CDTI 4x4 (69) (A 20 DTR)	Diesel	4WD	1956	143	195	03.12-05.17	*

# LISTA DE APLICACIONES - BUYERS GUIDE

<b>INSIGNIA Mk I (A) Country Tourer (G09) 07.08-05.17</b>					<b>[CAMBIADO]:Break (Executive car-E Segment)</b>			
1.6 Turbo (47) (A 16 XHT)		Gasolina	FWD	1598	125	170	07.13-05.17	*
1.6 Turbo (47) (B 16 SHL)		Gasolina	FWD	1598	125	170	07.13-05.17	*
1.6 CDTi (47) (B 16 DTH)		Diesel	FWD	1598	100	136	07.15-05.17	*
2.0 CDTi (47) (A 20 DTH)		Diesel	FWD	1956	120	163	07.13-05.17	*
2.0 CDTi (47) (A 20 DTH)		Diesel	4WD	1956	120	163	07.13-05.17	*
2.0 CDTi (47) (B 20 DTH)		Diesel	FWD	1956	125	170	11.14-05.17	*
2.0 CDTi 4x4 (47) (B 20 DTH)		Diesel	4WD	1956	125	170	11.14-05.17	*
2.0 Biturbo CDTi 4x4 (47) (A 20 DTR)		Diesel	4WD	1956	143	195	09.13-05.17	*
<b>INSIGNIA Mk I (A) Sports Tourer (G09) 07.08-05.17</b>					<b>[CAMBIADO]:Break (Executive car-E Segment)</b>			
1.4 (35) (A 14 NET)		Gasolina	FWD	1364	103	140	04.11-05.17	*
1.4 (35) (B 14 NET)		Gasolina	FWD	1364	103	140	04.11-05.17	*
1.6 (A 16 XER)		Gasolina	FWD	1598	85	116	07.08-07.12	*
1.6 Turbo (35) (A 16 XHT)		Gasolina	FWD	1598	125	170	07.13-05.17	*
1.6 Turbo (35) (A 16 LET)		Gasolina	FWD	1598	132	180	01.09-05.17	*
1.8 (35) (A 18 XER)		Gasolina	FWD	1796	103	140	07.08-05.17	*
2.0 Turbo (35) (A 20 NFT)		Gasolina	FWD	1998	162	220	07.08-05.17	*
2.0 Turbo (35) (A 20 NHT)		Gasolina	FWD	1998	162	220	07.08-05.17	*
2.0 Turbo 4x4 (35) (A 20 NHT)		Gasolina	4WD	1998	162	220	07.08-05.17	*
2.0 Turbo (35) (A 20 NHT)		Gasolina	FWD	1998	184	250	07.11-05.17	*
2.0 Turbo (35) (B 20 NHT)		Gasolina	FWD	1998	184	250	07.11-05.17	*
2.0 Turbo 4x4 (35)		Gasolina	4WD	1998	184	250	09.11-05.17	*
2.0 Turbo 4x4 (35)		Gasolina	4WD	1998	184	250	07.11-05.17	*
2.8 V6 Turbo (35) (A 28 NET)		Gasolina	4WD	2792	191	260	08.08-05.17	*
2.8 VXR (35) (A 28 NER)		Gasolina	4WD	2792	239	325	07.09-05.17	*
1.4 LPG (35) (A 14 NET)		Gasol./Gas (LPG)	FWD	1364	103	140	07.12-05.17	*
1.6 CDTi (35) (B 16 DTH)		Diesel	FWD	1598	100	136	07.15-05.17	*
2.0 CDTi (35) (A 20 DTC)		Diesel	FWD	1956	81	110	07.08-05.17	*
2.0 CDTi (35) (A 20 DTE)		Diesel	FWD	1956	88	120	03.12-03.16	*
2.0 CDTi (35) (A 20 DT)		Diesel	FWD	1956	96	130	07.08-12.14	*
2.0 CDTi (35) (A 20 DTJ)		Diesel	FWD	1956	96	130	07.08-12.14	*
2.0 CDTi (35) (A 20 DTE)		Diesel	FWD	1956	103	140	07.13-05.17	*
2.0 CDTi (35) (A 20 DTH)		Diesel	FWD	1956	118	160	07.08-05.17	*
2.0 CDTi 4x4 (35) (A 20 DTH)		Diesel	4WD	1956	118	160	07.08-05.17	*
2.0 CDTi (35) (A 20 DTH)		Diesel	FWD	1956	120	163	07.13-05.17	*
2.0 CDTi (35) (B 20 DTH)		Diesel	FWD	1956	125	170	11.14-05.17	*
2.0 CDTi 4x4 (35) (B 20 DTH)		Diesel	4WD	1956	125	170	11.14-05.17	*
2.0 CDTi (35) (A 20 DTR)		Diesel	FWD	1956	140	190	11.08-05.17	*
2.0 CDTi 4x4 (35) (A 20 DTR)		Diesel	4WD	1956	140	190	05.09-05.17	*
2.0 Biturbo CDTi (35) (A 20 DTR)		Diesel	FWD	1956	143	195	03.12-05.17	*
2.0 Biturbo CDTi 4x4 (35) (A 20 DTR)		Diesel	4WD	1956	143	195	03.12-05.17	*