

# LISTA DE APLICACIONES - BUYERS GUIDE

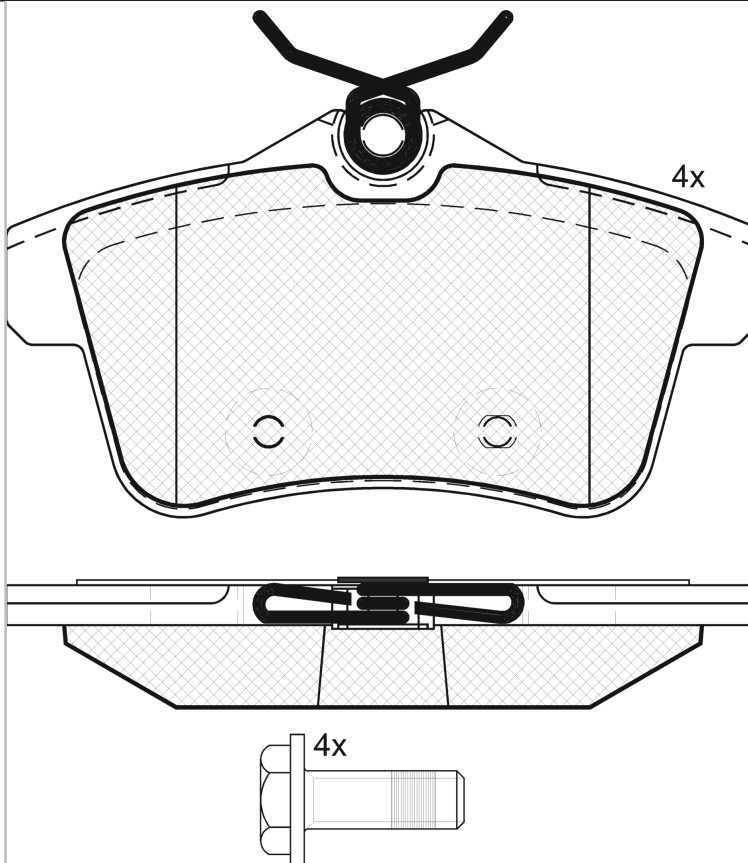
## RB1928



Qty: 944

Weight: 1.155

O.E.M.	MAKE
16 085 206 80	CITROËN
16 086 816 80	CITROËN
16 118 380 80	PEUGEOT
16 168 727 80	CITROËN
16 172 726 80	DS
16 231 808 80	PEUGEOT
16 364 112 80	PEUGEOT
16 478 738 80	DS
4254.35	PEUGEOT
4254.44	PEUGEOT
4254.46	PEUGEOT
86 60 000 784	RENAULT
86 60 004 437	RENAULT



1-Ref. 690064

## RB1928

**E 9** 90R-01110/2641



Trw

103.8x56x17.5

WVA	FMSI
24922	D1831-9062

Sin Filas



Trac.	CC	Kw	CV
-------	----	----	----



Front / Rear

### CITROËN

							[CAMBIADO]:Fastback (Compact car-C Segment)
<b>C4 II (NC_) 02.09-</b>							
1.2 THP 110 (NCHNZ6, NCHNV6) (HNZ (EB2DT))	Gasolina	FWD	1199	81	110	02.15-12.17	*
1.2 THP 130 (NCHNYM, NCHNYT) (HNY (EB2DTS))	Gasolina	FWD	1199	96	130	04.14-12.17	*
1.4 VTi 95 (NC8FP0) (8FP (EP3C))	Gasolina	FWD	1397	70	95	11.09-11.15	*
1.6 (NCNFU0)	Gasolina	FWD	1587	81	110	01.10-	*
1.6 Flex	Gasolina	FWD	1587	81	110	11.09-	*
1.6 Flex	Gasolina	FWD	1587	83	113	11.09-	*
1.6 VTi 120 (NC5FS0, NC5FS9) (5FS (EP6C))	Gasolina	FWD	1598	88	120	11.09-12.16	*
1.6 THP 155 (5FV (EP6CDT))	Gasolina	FWD	1598	115	156	11.09-12.16	*
2.0 Flex	Gasolina	FWD	1997	103	140	11.09-	*
2.0 Flex	Gasolina	FWD	1997	111	151	11.09-	*
1.6 VTi 120 LPG (NC5FS0) (5FS (EP6C))	Gasol./Gas (LPG)	FWD	1598	88	120	09.11-	*
1.6 HDi 90 (9HJ (DV6DTEDM))	Diesel	FWD	1560	68	92	11.09-	*
1.6 HDi 90 (9HP (DV6DTE))	Diesel	FWD	1560	68	92	11.09-	*
1.6 BlueHDi 100 (BHY (DV6FD))	Diesel	FWD	1560	73	99	07.14-05.18	*
1.6 HDi 110 (9HR (DV6C))	Diesel	FWD	1560	82	112	11.09-	*
1.6 HDi 115 (9HD (DV6C))	Diesel	FWD	1560	84	114	07.12-	*
1.6 BlueHDi 115 (BHX (DV6FC))	Diesel	FWD	1560	85	115	01.13-05.15	*
1.6 BlueHDi 120 (BHZ (DV6FC))	Diesel	FWD	1560	88	120	02.15-05.18	*
2.0 HDi / BlueHDi 150 (AHR (DW10FD))	Diesel	FWD	1997	110	150	11.09-	*
2.0 HDi / BlueHDi 150 (RHE (DW10CTED4))	Diesel	FWD	1997	110	150	11.09-	*
2.0 HDi / BlueHDi 160 (RHH (DW10CTED4))	Diesel	FWD	1997	120	163	10.10-	*

# LISTA DE APLICACIONES - BUYERS GUIDE

					<b>Furgón/hatchback (Compact car-C Segment)</b>				
<b>C4 II (NC_) 11.09-</b>									
1.6 HDi (9HP (DV6DTE))		Diesel	FWD	1560	68	92	06.10-	*	
1.6 BlueHDi (BHY (DV6FD))		Diesel	FWD	1560	73	99	07.14-	*	
1.6 HDi (9HR (DV6C))		Diesel	FWD	1560	82	111	11.09-	*	
1.6 BlueHDi (BHZ (DV6FC))		Diesel	FWD	1560	88	120	02.15-	*	
<b>C4 II (NC_) 01.13-</b>					<b>Sedán (Compact car-C Segment)</b>				
1.6 (NFP (EC5))		Gasolina	FWD	1587	85	116	01.13-	*	
1.6 (5FS (EP6C))		Gasolina	FWD	1598	88	120	01.13-	*	
1.6 Flex		Gasolina	FWD	1598	127	173	12.14-	*	
2.0 16V		Gasolina	FWD	1997	105	143	09.13-	*	
2.0 Flex		Gasolina	FWD	1997	111	151	08.13-	*	
<b>C4 II PICASSO (DD_) 01.13-</b>					<b>Furgoneta/MPV (Compact MPV-M1 Segment)</b>				
e-HDi (DD9HC8, DD9HCT)		Diesel	FWD	1560	85	116	02.13-	*	
<b>C4 III (BA_, BB_, BC_) 10.20-</b>					<b>[CAMBIADO]:Fastback (Compact car-C Segment)</b>				
1.2 PureTech 130 (BAHNSA, BAHNSB)		Gasolina	FWD	1199	96	131	10.20-	*	
<b>DS4 (NX_) 03.11-07.15</b>					<b>[CAMBIADO]:Fastback (Compact car-C Segment)</b>				
1.2 THP 130 (HNY (EB2DTS))		Gasolina	FWD	1199	96	130	07.14-07.15	*	
1.6 VTI 120 (5FS (EP6C))		Gasolina	FWD	1598	88	120	04.11-07.15	*	
1.6 THP 150 (5FE (EP6CDTMD))		Gasolina	FWD	1598	110	150	04.11-07.15	*	
1.6 THP 155 (5FV (EP6CDT))		Gasolina	FWD	1598	115	156	04.11-07.15	*	
1.6 THP160 (5FM (EP6CDTM))		Gasolina	FWD	1598	120	163	04.12-07.15	*	
1.6 THP 165 (5FM (EP6CDTM))		Gasolina	FWD	1598	121	165	01.12-07.15	*	
1.6 THP 165 (5GZ (EP6FDT))		Gasolina	FWD	1598	121	165	01.12-07.15	*	
1.6 THP200 (5FU (EP6DTX))		Gasolina	FWD	1598	147	200	04.11-07.15	*	
1.6 HDi 110		Diesel/el éc.	FWD	1560	81	110	04.11-07.15	*	
1.6 HDi 90 (9HP (DV6DTE))		Diesel	FWD	1560	68	92	05.11-07.15	*	
1.6 HDi 110 (9HR (DV6C))		Diesel	FWD	1560	82	112	04.11-07.15	*	
1.6 HDi 115 (9HD (DV6C))		Diesel	FWD	1560	84	114	08.12-07.15	*	
1.6 BlueHDi 115 (BHX (DV6FC))		Diesel	FWD	1560	85	115	07.14-07.15	*	
1.6 BlueHDi 120 (BHZ (DV6FC))		Diesel	FWD	1560	88	120	07.14-07.15	*	
2.0 HDi / BlueHDi 135 (AHS (DW10FD))		Diesel	FWD	1997	100	136	09.11-07.15	*	
2.0 HDi / BlueHDi 135 (AHV (DW10FD))		Diesel	FWD	1997	100	136	09.11-07.15	*	
2.0 HDi / BlueHDi 135 (RHD (DW10CB))		Diesel	FWD	1997	100	136	09.11-07.15	*	
2.0 HDi / BlueHDi 135 (RHD (DW10CTED4))		Diesel	FWD	1997	100	136	09.11-07.15	*	
2.0 BlueHDi 150 (AHX (DW10FD))		Diesel	FWD	1997	110	150	07.14-07.15	*	
2.0 HDi 165 (RHH (DW10CTED4))		Diesel	FWD	1997	120	163	04.11-07.15	*	
2.0 BlueHDi 180 (AHW (DW10FC))		Diesel	FWD	1997	133	180	07.14-07.15	*	
<b>DS5 09.11-12.16</b>					<b>[CAMBIADO]:Fastback (Compact executive car-D Segment)</b>				
1.6 THP 150 (5FE (EP6CDTMD))		Gasolina	FWD	1598	110	150	11.11-07.15	*	
1.6 THP 155 (5FV (EP6CDT))		Gasolina	FWD	1598	115	156	11.11-07.15	*	
1.6 THP 165 (5FM (EP6CDTM))		Gasolina	FWD	1598	121	165	01.12-07.15	*	
1.6 THP 165 (5FM (EP6DT))		Gasolina	FWD	1598	121	165	01.12-07.15	*	
1.6 THP 165 (5GZ (EP6FDT))		Gasolina	FWD	1598	121	165	01.12-07.15	*	
1.6 THP200 (5FU (EP6DTX))		Gasolina	FWD	1598	147	200	11.11-07.15	*	
1.6 THP 165 Hybrid (5GZ (EP6FDT))		Gasol./el éc.	FWD	1598	121	165	06.12-07.15	*	
2.0 HDi 135 Hybrid4		Gasol./el éc.	4WD	1997	100	136	12.11-	*	

# LISTA DE APLICACIONES - BUYERS GUIDE

2.0 HDi 165 Hybrid4 4x4 (RHC (DW10CTED4))		Diesel/el éc.	4WD	1997	120	163	12.11-07.15	*
2.0 HDi 200 Hybrid4 A las 4 ruedas		Diesel/el éc.	4WD	1997	147	200	12.11-07.15	*
1.6 HDi 110 (9HR (DV6C))		Diesel	FWD	1560	82	112	11.11-07.15	*
1.6 HDi 115 (9HD (DV6C))		Diesel	FWD	1560	84	114	06.12-07.15	*
1.6 HDi (BHX (DV6FC))		Diesel	FWD	1560	85	115	11.13-07.15	*
1.6 BlueHDi 120 (BHZ (DV6FC))		Diesel	FWD	1560	88	120	07.14-07.15	*
2.0 HDi 135 (RHD (DW10CB))		Diesel	FWD	1997	100	136	11.11-07.15	*
2.0 BlueHDi 150 (AHX (DW10FD))		Diesel	FWD	1997	110	150	07.14-07.15	*
2.0 HDi 165 (RHH (DW10CTED4))		Diesel	FWD	1997	120	163	11.11-07.15	*
2.0 BlueHDi 180 (AHW (DW10FC))		Diesel	FWD	1997	133	180	08.13-07.15	*
<b>DS</b>								
<b>DS 4 / DS 4 CROSSBACK (NX_) 07.15-</b>					<b>[CAMBIADO]:Fastback (Compact car-C Segment)</b>			
1.2 THP 130 (NXHNYM) (HNY (EB2DTS))		Gasolina	FWD	1199	96	130	07.15-12.18	*
1.6 THP 150 (5FE (EP6CDTMD))		Gasolina	FWD	1598	110	150	10.16-12.18	*
1.6 THP160 (5FM (EP6CDTM))		Gasolina	FWD	1598	120	163	07.15-12.18	*
1.6 THP 165 (5GZ (EP6FDT))		Gasolina	FWD	1598	121	165	07.15-12.18	*
1.6 THP 210 (5GM (EP6FDTX))		Gasolina	FWD	1598	155	210	07.15-12.18	*
1.6 BlueHDi 100 (BHY (DV6FD))		Diesel	FWD	1560	73	99	04.16-12.18	*
1.6 BlueHDi 115 (BHX (DV6FC))		Diesel	FWD	1560	85	116	07.15-12.18	*
1.6 BlueHDi 120 (BHZ (DV6FC))		Diesel	FWD	1560	88	120	07.15-12.18	*
2.0 BlueHDi 150 (AHR (DW10FD))		Diesel	FWD	1997	110	150	07.15-12.18	*
2.0 BlueHDi 180 (AHW (DW10FC))		Diesel	FWD	1997	133	180	07.15-12.18	*
<b>DS 5 (KF_) 01.15-12.18</b>					<b>[CAMBIADO]:Fastback (Compact executive car-D Segment)</b>			
1.6 THP 165 (KF5GZT) (5GZ (EP6FDT))		Gasolina	FWD	1598	121	165	07.15-12.18	*
1.6 THP 210 (5GM (EP6FDTX))		Gasolina	FWD	1598	155	210	04.15-12.18	*
2.0 Hybrid4 4x4 (RHC (DW10CTED4))		Diesel/el éc.	4WD	1997	120	163	04.15-12.18	*
Hybrid4 (RHC (DW10CTED4))		Diesel/el éc.	4WD	1997	147	200	04.15-12.18	*
1.6 BlueHDi 115 (BHX (DV6C))		Diesel	FWD	1560	85	116	06.15-12.18	*
1.6 BlueHDi 120 (BHZ (DV6FC))		Diesel	FWD	1560	88	120	06.15-12.18	*
2.0 BlueHDi 135 (AHV (DW10FDD))		Diesel	FWD	1997	100	136	06.15-12.18	*
2.0 BlueHDi 150 (AHR (DW10FD))		Diesel	FWD	1997	110	150	04.15-12.18	*
2.0 BlueHDi 180 (AHW (DW10FC))		Diesel	FWD	1997	133	180	04.15-12.18	*
<b>DS (CAPSA)</b>								
<b>DS 4S 01.16-</b>					<b>[CAMBIADO]:Fastback ()</b>			
THP130		Gasolina	FWD	1199	100	136	04.16-	*
THP180		Gasolina	FWD	1598	123	167	04.16-	*
THP200		Gasolina	FWD	1751	150	204	04.16-	*
<b>DS 5 09.13-</b>					<b>[CAMBIADO]:Fastback ()</b>			
1.6 THP160 (5F06 10FJBZ (EP6CDTM))		Gasolina	FWD	1598	120	163	09.13-12.17	*
1.6 THP160 (5G02 10UF01 (EP6FDTM))		Gasolina	FWD	1598	123	167	09.15-12.20	*
1.6 THP200 (5F03 (EP6CDTX))		Gasolina	FWD	1598	147	200	09.13-12.15	*
1.8 THP 200 (6G01 10UF51 (EP8FDT))		Gasolina	FWD	1751	150	204	09.15-12.20	*
<b>DS 5 LS 01.14-</b>					<b>Sedán ()</b>			
1.6 THP160 (5F06 10FJBZ (EP6CDTM))		Gasolina	FWD	1598	120	163	03.14-	*
1.6 THP160 (5G02 10UF01 (EP6FDTM))		Gasolina	FWD	1598	123	167	04.16-	*
1.6 THP200 (5F03 (EP6CDTX))		Gasolina	FWD	1598	147	200	03.14-	*
1.8 THP 200 (6G01 10UF51 (EP8FDT))		Gasolina	FWD	1751	150	204	04.16-	*

# LISTA DE APLICACIONES - BUYERS GUIDE

1.8 VTi 140 (WFZ (EC8))	Gasolina	FWD	1813	102	139	01.14-12.15	*
<b>DS 6 09.14-</b>							<b>SUV ()</b>
1.6 THP200	Gasolina	FWD	1598	147	200	09.14-	*
1.8 THP 200	Gasolina	FWD	1751	150	204	09.15-	*
<b>PEUGEOT</b>							
<b>3008 (0U_) 05.09-12.17</b>							<b>Furgoneta/MPV (Compact MPV-M1 Segment)</b>
HDi 110 (0U9HZ8, 0U9HZT)	Diesel	FWD	1560	80	109	06.09-08.16	*
HDi 150 (0URHEM)	Diesel	FWD	1997	110	150	06.09-08.16	*
HDi (0URHHT)	Diesel	FWD	1997	120	163	06.09-08.16	*
<b>3008 (0U_) 05.09-12.17</b>							<b>MPV (Compact MPV-M1 Segment)</b>
1.2 (HNY (EB2DTS))	Gasolina	FWD	1199	96	131	01.15-08.16	*
1.6 VTi (5FS (EP6C))	Gasolina	FWD	1598	88	120	06.09-08.16	*
1.6 VTi (5FW (EP6))	Gasolina	FWD	1598	88	120	06.09-08.16	*
1.6 VTi (EP6)	Gasolina	FWD	1598	88	120	06.09-08.16	*
1.6 THP (5FE (EP6CDTM))	Gasolina	FWD	1598	110	150	06.09-08.16	*
1.6 THP (5FE (EP6CDTMD))	Gasolina	FWD	1598	110	150	06.09-08.16	*
1.6 THP (5FX (EP6DT))	Gasolina	FWD	1598	110	150	06.09-08.16	*
1.6 THP (5FV (EP6CDT))	Gasolina	FWD	1598	115	156	06.09-08.16	*
1.6 THP (5FM (EP6CDTM))	Gasolina	FWD	1598	120	163	09.10-08.16	*
1.6 Turbo (5GZ (EP6FDT))	Gasolina	FWD	1598	121	165	05.14-08.16	*
2.0 BlueHDi 135 Hybrid	Diesel/el éc.	FWD	1997	100	136	01.15-12.16	*
2.0 BlueHDi 135 Hybrid	Diesel/el éc.	FWD	1997	100	136	09.15-12.16	*
2.0 BlueHDi 150 Hybrid	Diesel/el éc.	FWD	1997	110	150	01.15-12.16	*
2.0 HDi Hybrid4 (RHC (DW10CTED4))	Diesel/el éc.	4WD	1997	120	163	02.11-08.16	*
2.0 HDi Hybrid4 (0URHCA) (RHC (DW10CTED4))	Diesel/el éc.	4WD	1997	147	200	02.11-08.16	*
1.6 HDi (9HZ (DV6TED4))	Diesel	FWD	1560	80	109	06.09-08.16	*
1.6 HDi (9HR (DV6C))	Diesel	FWD	1560	82	112	12.09-08.16	*
1.6 HDi (9HD (DV6CTED))	Diesel	FWD	1560	84	114	03.13-08.16	*
1.6 HDi 115 / BlueHDi 115 (9HC (DV6C))	Diesel	FWD	1560	85	116	02.13-08.16	*
1.6 HDi 115 / BlueHDi 115 (BHX (DV6FC))	Diesel	FWD	1560	85	116	02.13-08.16	*
1.6 BlueHDi 120 (BHZ (DV6FC))	Diesel	FWD	1560	88	120	05.14-08.16	*
2.0 HDi (RHD (DW10CB))	Diesel	FWD	1997	100	136	09.11-08.16	*
2.0 HDi 150 / BlueHDi 150 (RWRHEJ, RWRHE8) (AHX (DW10FD))	Diesel	FWD	1997	110	150	06.09-08.16	*
2.0 HDi 150 / BlueHDi 150 (RWRHEJ, RWRHE8) (RHE (DW10CTED4))	Diesel	FWD	1997	110	150	06.09-08.16	*
2.0 HDi (RHH (DW10CTED4))	Diesel	FWD	1997	120	163	06.09-08.16	*
<b>308 (4A_, 4C_) 09.07-</b>							<b>[CAMBIADO]:Fastback (Compact car-C Segment)</b>
1.6 16V (5FY (EP6DTS))	Gasolina	FWD	1598	128	174	03.08-10.14	*
1.6 GTI (EP6CDTX)	Gasolina	FWD	1598	147	200	07.10-10.14	*
1.6 BioFlex (NFU (TU5JP4))	Gasol./Et anol	FWD	1587	80	109	04.08-10.14	*
2.0 Bioflex (RFJ (EW10A))	Gasol./Et anol	FWD	1997	103	140	01.08-12.12	*
<b>308 CC (4B_) 02.09-</b>							<b>Cabrío (Compact car-C Segment)</b>
1.6 THP (EP6CDTX)	Gasolina	FWD	1598	147	200	10.10-12.14	*
<b>5008 (0U_) 06.09-03.17</b>							<b>Furgoneta/MPV (Compact MPV-M1 Segment)</b>
HDi (0U9HR8)	Diesel	FWD	1560	82	111	08.10-03.17	*

# LISTA DE APLICACIONES - BUYERS GUIDE

HDi / e-HDi (0U9HD8, 0U9HDA)		Diesel	FWD	1560	84	114	03.13-03.17	*	
HDi 136 (0URHEM)		Diesel	FWD	1997	100	136	02.12-03.17	*	
HDi 150 (0URHEM)		Diesel	FWD	1997	110	150	06.09-03.17	*	
HDi 165 (0URHHT)		Diesel	FWD	1997	120	163	06.09-03.17	*	
<b>5008 (0U_, 0E_) 06.09-</b>					<b>MPV (Compact MPV-M1 Segment)</b>				
1.2 (HNY (EB2DTS))		Gasolina	FWD	1199	96	131	01.15-03.17	*	
1.6 16V (5FS (EP6C))		Gasolina	FWD	1598	88	120	09.09-03.17	*	
1.6 16V (5FW (EP6))		Gasolina	FWD	1598	88	120	09.09-03.17	*	
1.6 16V (EP6)		Gasolina	FWD	1598	88	120	09.09-03.17	*	
1.6 THP 150 (5FX (EP6DT))		Gasolina	FWD	1598	110	150	02.12-03.17	*	
1.6 16V (5FV (EP6CDT))		Gasolina	FWD	1598	115	156	09.09-03.17	*	
1.6 THP 163 (5GZ (EP6FDT))		Gasolina	FWD	1598	120	163	02.12-03.17	*	
1.6 THP 165 (5GZ (EP6FDT))		Gasolina	FWD	1598	121	165	02.12-03.17	*	
1.6 HDi (9HZ (DV6TED4))		Diesel	FWD	1560	80	110	09.09-03.17	*	
1.6 HDi (9HR (DV6C))		Diesel	FWD	1560	82	112	08.10-03.17	*	
1.6 HDi (9HD (DV6C))		Diesel	FWD	1560	84	114	03.13-03.17	*	
1.6 BlueHDi 115		Diesel	FWD	1560	85	116	11.14-03.17	*	
1.6 BlueHDi 120 (BHZ (DV6FC))		Diesel	FWD	1560	88	120	05.14-03.17	*	
2.0 HDi 136 / BlueHDi 136 (AHV (DW10FD))		Diesel	FWD	1997	100	136	02.12-03.17	*	
2.0 HDi 136 / BlueHDi 136 (RHD (DW10CB))		Diesel	FWD	1997	100	136	02.12-03.17	*	
2.0 HDi 136 / BlueHDi 136 (RHD (DW10CTED4))		Diesel	FWD	1997	100	136	02.12-03.17	*	
2.0 HDi 150 / BlueHDi 150 (RWRHEJ, RWRHE8) (AHX (DW10FD))		Diesel	FWD	1997	110	150	06.09-03.17	*	
2.0 HDi 150 / BlueHDi 150 (RWRHEJ, RWRHE8) (RHE (DW10CTED4))		Diesel	FWD	1997	110	150	06.09-03.17	*	
2.0 HDi (RHH (DW10CTED4))		Diesel	FWD	1997	120	163	09.09-03.17	*	
<b>508 (8D_) 11.10-</b>					<b>Sedán (Large family car-D Segment)</b>				
1.6 VTi (5FH (EP6C))		Gasolina	FWD	1598	85	116	11.10-12.18	*	
1.6 VTi (5FS (EP6C))		Gasolina	FWD	1598	88	120	11.10-12.18	*	
1.6 THP (5FN (EP6CDT))		Gasolina	FWD	1598	110	150	11.10-12.18	*	
1.6 THP (5FV (EP6CDT))		Gasolina	FWD	1598	115	156	11.10-12.18	*	
1.6 THP (5GZ (EP6FDT))		Gasolina	FWD	1598	120	163	01.12-12.18	*	
2.0 HDi Hybrid4 AWC (RHC (DW10CTED4))		Diesel/el éc.	4WD	1997	120	163	11.10-12.18	*	
2.0 HDi Hybrid4 AWC (RHC (DW10CTED4))		Diesel/el éc.	4WD	1997	147	200	11.10-12.18	*	
1.6 HDi (9HL (DV6C))		Diesel	FWD	1560	82	112	11.10-12.18	*	
1.6 HDi (9HR (DV6C))		Diesel	FWD	1560	82	112	11.10-12.18	*	
1.6 HDi (9HD (DV6CTED))		Diesel	FWD	1560	84	115	02.12-12.18	*	
1.6 BlueHDi 120 (BHZ (DV6FC))		Diesel	FWD	1560	88	120	03.14-12.18	*	
2.0 HDi (RHR (DW10BTED4))		Diesel	FWD	1997	100	136	11.10-12.18	*	
2.0 HDi (RHA (DW10CTED4))		Diesel	FWD	1997	103	140	11.10-12.18	*	
2.0 HDi (RHF (DW10BTED4))		Diesel	FWD	1997	103	140	11.10-12.18	*	
2.0 BlueHDi 150 (AHX (DW10FD))		Diesel	FWD	1997	110	150	04.14-12.18	*	
2.0 HDi (RHH (DW10CTED4))		Diesel	FWD	1997	120	163	11.10-12.18	*	
2.0 BlueHDi 180 (AHW (DW10FC))		Diesel	FWD	1997	133	180	04.14-12.18	*	
2.2 HDi (4HL (DW12C))		Diesel	FWD	2179	150	204	11.10-12.18	*	
<b>508 SW (8E_) 11.10-</b>					<b>[CAMBIADO]-Break (Large family car-D Segment)</b>				
1.6 VTi (5FH (EP6C))		Gasolina	FWD	1598	85	116	11.10-12.18	*	
1.6 VTi (5FS (EP6C))		Gasolina	FWD	1598	88	120	11.10-12.18	*	
1.6 THP (5FE (EP6CDTM))		Gasolina	FWD	1598	110	150	11.10-12.18	*	
1.6 THP (5FN (EP6CDT))		Gasolina	FWD	1598	110	150	11.10-12.18	*	

## LISTA DE APLICACIONES - BUYERS GUIDE

1.6 THP (5FV (EP6CDT))		Gasolina	FWD	1598	115	156	11.10-12.18	*
1.6 (5GZ (EP6FDT))		Gasolina	FWD	1598	121	165	02.12-12.18	*
2.0 HDi RXH Hybrid4		Gasol./el éc.	4WD	1997	147	200	12.11-	*
2.0 HDi RXH Hybrid4 (RHC (DW10CTED4))		Diesel/el éc.	4WD	1997	147	200	11.10-12.18	*
1.6 HDi (9HL (DV6C))		Diesel	FWD	1560	82	112	11.10-12.18	*
1.6 HDi (9HR (DV6C))		Diesel	FWD	1560	82	112	11.10-12.18	*
1.6 HDi (9HL (DV6C))		Diesel	FWD	1560	84	115	02.12-12.18	*
1.6 HDi (9HR (DV6C))		Diesel	FWD	1560	84	115	02.12-12.18	*
1.6 BlueHdi 120 (BHZ (DV6FC))		Diesel	FWD	1560	88	120	03.14-12.18	*
2.0 HDi (RHR (DW10BTED4))		Diesel	FWD	1997	100	136	11.10-12.18	*
2.0 HDi (RHA (DW10CTED4))		Diesel	FWD	1997	103	140	11.10-12.18	*
2.0 HDi (RHF (DW10BTED4))		Diesel	FWD	1997	103	140	11.10-12.18	*
2.0 BlueHdi 150 (AHX (DW10FD))		Diesel	FWD	1997	110	150	04.14-12.18	*
2.0 HDi (RHH (DW10CTED4))		Diesel	FWD	1997	120	163	11.10-12.18	*
2.0 BlueHdi 180 (AHW (DW10FC))		Diesel	FWD	1997	133	180	04.14-12.18	*
2.0 HDi 180 RXH		Diesel	FWD	1997	133	181	10.14-12.18	*
2.2 HDi (4HL (DW12C))		Diesel	FWD	2179	150	204	11.10-12.18	*
<b>RCZ 03.10-</b>								
							<b>Coupé (Compact car-C Segment)</b>	
1.6 THP 150 (5FE (EP6CDTMD))		Gasolina	FWD	1598	110	150	03.11-12.15	*
1.6 16V (5FV (EP6CDT))		Gasolina	FWD	1598	115	156	03.10-12.15	*
1.6 16V (5FM (EP6CDTM))		Gasolina	FWD	1598	121	165	01.11-12.15	*
1.6 16V (EP6CDTX)		Gasolina	FWD	1598	147	200	06.10-12.15	*
1.6 THP 270 (5FG (EP6CDTR))		Gasolina	FWD	1598	199	270	06.13-12.15	*
2.0 HDi (RHH (DW10CTED4))		Diesel	FWD	1997	120	163	03.10-12.15	*