

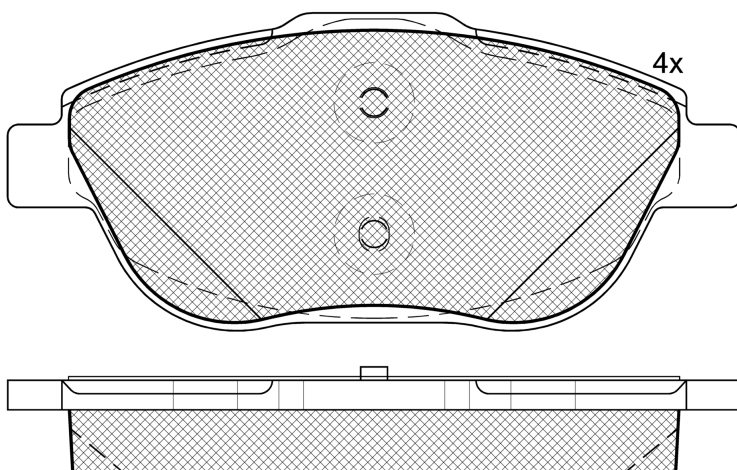
LISTA DE APLICACIONES - BUYERS GUIDE

RB1925-201



Qty: 300

Weight: 1.775



| O.E.M. | MAKE |
|---------------|----------|
| 16 070 831 80 | PEUGEOT |
| 16 111 405 80 | CITROËN |
| 16 172 937 80 | VAUXHALL |
| 16 290 383 80 | PEUGEOT |
| 16 478 635 80 | VAUXHALL |
| 1696257880 | VAUXHALL |
| 3 649 095 | VAUXHALL |
| 36 49 095 | OPEL |
| 425431 | CITROËN |
| 86 60 003 505 | RENAULT |
| 86 60 004 552 | RENAULT |

RB1925-201

E 9 90R-02A0111/3497

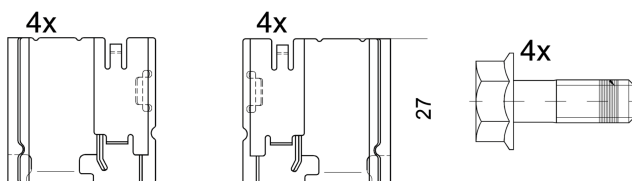


Bosch

136.8x59.3x18

| WVA | FMSI |
|-------|------------|
| 22956 | D1933-9156 |
| 25438 | |

Sin Filas



1 - Ref. 690315 E



| Trac. | CC | Kw | CV |
|-------|----|----|----|
|-------|----|----|----|



Front / Rear

CITROËN

| | | | | | | | [CAMBIADO]:Fastback (Supermini car-B Segment) | | | |
|---|--|--|----------|-----|------|----|---|-------------|---|--|
| C3 II (SC_) 09.09- | | | | | | | | | | |
| 1.0 VTI 68 (ZMZ (EB0)) | | | Gasolina | FWD | 999 | 50 | 68 | 08.12-09.16 | * | |
| 1.1 i (HFV (TU1A)) | | | Gasolina | FWD | 1124 | 44 | 60 | 09.09-01.13 | * | |
| 1.1 i (HFX (TU1A)) | | | Gasolina | FWD | 1124 | 44 | 60 | 09.09-01.13 | * | |
| 1.2 VTI 82 (HMZ (EB2)) | | | Gasolina | FWD | 1199 | 60 | 82 | 06.12-09.16 | * | |
| 1.2 VTI 82 (HMZ (EB2F)) | | | Gasolina | FWD | 1199 | 60 | 82 | 06.12-09.16 | * | |
| 1.2 THP 110 (HNZ (EB2DT)) | | | Gasolina | FWD | 1199 | 81 | 110 | 10.14-09.16 | * | |
| 1.4 (K6E (TU3A)) | | | Gasolina | FWD | 1360 | 54 | 73 | 11.09-09.16 | * | |
| 1.4 (KFT (TU3AE5)) | | | Gasolina | FWD | 1360 | 54 | 73 | 11.09-09.16 | * | |
| 1.4 Flex | | | Gasolina | FWD | 1360 | 58 | 80 | 11.09- | * | |
| 1.6 Flex | | | Gasolina | FWD | 1587 | 81 | 110 | 11.09- | * | |
| 1.6 VTI 120 (5FS (EP6C)) | | | Gasolina | FWD | 1598 | 88 | 120 | 11.09-09.16 | * | |
| 1.4 HDi 70 (SC8HZC, SC8HR0, SC8HP4) (8HR (DV4C)) | | | Diesel | FWD | 1398 | 50 | 68 | 11.09-09.16 | * | |
| 1.4 HDi 70 (SC8HZC, SC8HR0, SC8HP4) (8HZ (DV4TD)) | | | Diesel | FWD | 1398 | 50 | 68 | 11.09-09.16 | * | |
| 1.6 HDi (9HJ (DV6DTEDM)) | | | Diesel | FWD | 1560 | 68 | 92 | 11.09-09.16 | * | |
| 1.6 HDi (9HP (DV6DTED)) | | | Diesel | FWD | 1560 | 68 | 92 | 11.09-09.16 | * | |
| 1.6 HDi 110 (9HR (DV6C)) | | | Diesel | FWD | 1560 | 82 | 112 | 11.09-09.16 | * | |
| 1.6 HDi 115 (9HD (DV6C)) | | | Diesel | FWD | 1560 | 84 | 114 | 09.12-09.16 | * | |
| C3 II Picasso (SH_) 12.08- | | | | | | | MPV (Mini MPV-M1 Segment) | | | |
| 1.2 THP 110 (SHHNZ6) (HNZ (EB2DT)) | | | Gasolina | FWD | 1199 | 81 | 110 | 01.15-12.15 | * | |
| 1.6 Flex | | | Gasolina | FWD | 1587 | 81 | 110 | 05.11- | * | |
| 1.6 VTI 115 (SH5FP0, SH5FP8) (5FP (EP6)) | | | Gasolina | FWD | 1598 | 84 | 114 | 07.09-12.15 | * | |
| 1.6 VTI 120 (5FS (EP6C)) | | | Gasolina | FWD | 1598 | 88 | 120 | 02.09-07.15 | * | |

LISTA DE APLICACIONES - BUYERS GUIDE

| | | | | | | | | | |
|--|--|------------------|-----|------|----|-----|--|---|--|
| 1.6 VTI 120 (5FW (EP6)) | | Gasolina | FWD | 1598 | 88 | 120 | 02.09-07.15 | * | |
| 1.4 VTI 95 LPG (SH8FN0) (8FN (EP3)) | | Gasol./Gas (LPG) | FWD | 1397 | 70 | 95 | 09.10-11.15 | * | |
| 1.6 HDi 90 (9HP (DV6DTE)) | | Diesel | FWD | 1560 | 68 | 92 | 07.10-03.15 | * | |
| 1.6 BlueHDi 100 (BHY (DV6FD)) | | Diesel | FWD | 1560 | 73 | 99 | 01.15-08.17 | * | |
| 1.6 HDi (9HZ (DV6TED4)) | | Diesel | FWD | 1560 | 80 | 109 | 02.09-12.10 | * | |
| 1.6 HDi 110 (9HR (DV6C)) | | Diesel | FWD | 1560 | 82 | 112 | 05.10-02.13 | * | |
| 1.6 HDi 115 (9HD (DV6C)) | | Diesel | FWD | 1560 | 84 | 114 | 01.13-03.15 | * | |
| C3 III (SX) 07.16- | | | | | | | [CAMBIADO]:Fastback (Supermini car-B Segment) | | |
| 1.2 VTI 68 (HMM (EB2FAD)) | | Gasolina | FWD | 1199 | 50 | 68 | 07.16- | * | |
| 1.2 VTI 68 (HMP (EB2FB)) | | Gasolina | FWD | 1199 | 50 | 68 | 07.16- | * | |
| 1.2 VTI 82 (HMZ (EB2F)) | | Gasolina | FWD | 1199 | 60 | 82 | 07.16- | * | |
| 1.2 PureTech 82 (HMR (EB2FA)) | | Gasolina | FWD | 1199 | 61 | 83 | 05.18- | * | |
| 1.2 PureTech 110 | | Gasolina | FWD | 1199 | 81 | 110 | 03.21- | * | |
| 1.2 THP 110 (SXHNPS, SXHNZT, SXHNZ6) (HNP (EB2ADT)) | | Gasolina | FWD | 1199 | 81 | 110 | 07.16- | * | |
| 1.2 THP 110 (SXHNPS, SXHNZT, SXHNZ6) (HNV (EB2DTM)) | | Gasolina | FWD | 1199 | 81 | 110 | 07.16- | * | |
| 1.2 THP 110 (SXHNPS, SXHNZT, SXHNZ6) (HNZ (EB2DT)) | | Gasolina | FWD | 1199 | 81 | 110 | 07.16- | * | |
| 1.6 VTI (SXFPT) (NFP (EC5)) | | Gasolina | FWD | 1587 | 85 | 116 | 02.17- | * | |
| 1.2 VTI 82 LPG (HMZ (EB2F)) | | Gasol./Gas (LPG) | FWD | 1199 | 60 | 82 | 07.16- | * | |
| 1.2 PureTech 82 LPG (HMR (EB2FA)) | | Gasol./Gas (LPG) | FWD | 1199 | 61 | 83 | 05.18- | * | |
| 1.5 BlueHDi 100 (SXYHYP, SXYHTU) (YHY (DV5RD)) | | Diesel | FWD | 1499 | 75 | 102 | 05.18- | * | |
| 1.6 BlueHDi 75 (BHW (DV6FE)) | | Diesel | FWD | 1560 | 55 | 75 | 07.16-05.18 | * | |
| 1.6 BlueHDi 100 (BHY (DV6FD)) | | Diesel | FWD | 1560 | 73 | 99 | 07.16-05.18 | * | |
| C3 III AIRCROSS II (2R_, 2C_) 06.17- | | | | | | | SUV (Mini SUV-J Segment) | | |
| 1.2 PureTech 82 (2RHMRC, 2RHMZB) (HMR (EB2FA)) | | Gasolina | FWD | 1199 | 60 | 82 | 06.17- | * | |
| 1.2 PureTech 82 (2RHMRC, 2RHMZB) (HMZ (EB2F)) | | Gasolina | FWD | 1199 | 60 | 82 | 06.17- | * | |
| 1.2 PureTech 110 (2RHNBZ, 2RHNBZ, 2RHNPX, 2RHNPJ) (HNP (EB2ADT)) | | Gasolina | FWD | 1199 | 81 | 110 | 06.17- | * | |
| 1.2 PureTech 110 (2RHNBZ, 2RHNBZ, 2RHNPX, 2RHNPJ) (HNV (EB2DTM)) | | Gasolina | FWD | 1199 | 81 | 110 | 06.17- | * | |
| 1.2 PureTech 110 (2RHNBZ, 2RHNBZ, 2RHNPX, 2RHNPJ) (HNZ (EB2DT)) | | Gasolina | FWD | 1199 | 81 | 110 | 06.17- | * | |
| 1.2 PureTech 130 (2RHNYH) (HNS (EB2ADTS)) | | Gasolina | FWD | 1199 | 96 | 131 | 07.17- | * | |
| 1.2 PureTech 130 (2RHNYH) (HNY (EB2DTS)) | | Gasolina | FWD | 1199 | 96 | 131 | 07.17- | * | |
| 1.5 BlueHDi 100 (2CYHYJ) (YHY (DV5RD)) | | Diesel | FWD | 1499 | 73 | 99 | 08.18- | * | |
| 1.5 BlueHDi 100 (2CYHYJ) (YHY (DV5RD)) | | Diesel | FWD | 1499 | 75 | 102 | 08.18- | * | |
| 1.5 BlueHDi 110 (YHS (DV5RCE)) | | Diesel | FWD | 1499 | 81 | 110 | 10.20- | * | |
| 1.5 BlueHDi 120 (2CYHXX) (YHX (DV5RC)) | | Diesel | FWD | 1499 | 88 | 120 | 08.18- | * | |
| 1.6 HDi 92 (2C9HPA) (9HP (DV6D)) | | Diesel | FWD | 1560 | 68 | 92 | 10.17- | * | |
| 1.6 HDi 92 (2C9HPA) (9HP (DV6DTE)) | | Diesel | FWD | 1560 | 68 | 92 | 10.17- | * | |
| 1.6 BlueHDi 100 (2CBHYB) (BHY (DV6FD)) | | Diesel | FWD | 1560 | 73 | 99 | 07.17-08.18 | * | |
| 1.6 BlueHDi 115 (2CBHXH) (BHX (DV6FC)) | | Diesel | FWD | 1560 | 85 | 115 | 06.17-05.18 | * | |
| 1.6 BlueHDi 120 (2CBHZH) (BHZ (DV6FC)) | | Diesel | FWD | 1560 | 88 | 120 | 07.17-05.18 | * | |
| C3 III AIRCROSS II Van (2C_, 2R_) 06.17- | | | | | | | Furgoneta/SUV (Mini SUV-J Segment) | | |
| PureTech 82 (HMZ (EB2F)) | | Gasolina | FWD | 1199 | 60 | 82 | 05.19- | * | |
| PureTech 82 (HNZ (EB2DT)) | | Gasolina | FWD | 1199 | 81 | 110 | 05.19- | * | |
| 1.5 BlueHDi 100 (YHY (DV5RD)) | | Diesel | FWD | 1499 | 73 | 99 | 05.19- | * | |
| 1.5 BlueHDi 120 (YHX (DV5RC)) | | Diesel | FWD | 1499 | 88 | 120 | 05.19- | * | |

LISTA DE APLICACIONES - BUYERS GUIDE

| | | | | | | | |
|--|----------|-----|------|--|-----|-------------|---|
| 1.6 BlueHDi 100 (BHY (DV6FD)) | Diesel | FWD | 1560 | 73 | 99 | 05.19- | * |
| C3 III Van (SX_, SY_) 07.16- | | | | Furgón/hatchback (Supermini car-B Segment) | | | |
| 1.2 VTi | Gasolina | FWD | 1199 | 60 | 82 | 07.16- | * |
| PureTech 82 (HMR (EB2FA)) | Gasolina | FWD | 1199 | 61 | 83 | 03.19- | * |
| PureTech 110 (HNZ (EB2DT)) | Gasolina | FWD | 1199 | 81 | 110 | 03.19- | * |
| BlueHDi 100 (YHY (DV5RD)) | Diesel | FWD | 1499 | 75 | 102 | 03.19- | * |
| BlueHDi 75 (BHW (DV6FE)) | Diesel | FWD | 1560 | 55 | 75 | 03.19- | * |
| BlueHDi 100 (BHY (DV6FD)) | Diesel | FWD | 1560 | 73 | 99 | 03.19- | * |
| C4 CACTUS 09.14- | | | | [CAMBIADO]:Fastback (Compact SUV-J Segment) | | | |
| 1.2 VTi 75 / PureTech 75 (HMU (EB2D)) | Gasolina | FWD | 1199 | 55 | 75 | 09.14- | * |
| 1.2 VTi 75 / PureTech 75 (HMU (EB2FD)) | Gasolina | FWD | 1199 | 55 | 75 | 09.14- | * |
| 1.2 VTi 82 (HMZ (EB2F)) | Gasolina | FWD | 1199 | 60 | 82 | 09.14- | * |
| 1.2 THP 110 (HNP (EB2ADT)) | Gasolina | FWD | 1199 | 81 | 110 | 09.14- | * |
| 1.2 THP 110 (HNV (EB2DTM)) | Gasolina | FWD | 1199 | 81 | 110 | 09.14- | * |
| 1.2 THP 110 (HNZ (EB2DT)) | Gasolina | FWD | 1199 | 81 | 110 | 09.14- | * |
| 1.2 PureTech 130 (HNS (EB2ADTS)) | Gasolina | FWD | 1199 | 96 | 131 | 11.17- | * |
| 1.2 PureTech 130 (HNY (EB2DTS)) | Gasolina | FWD | 1199 | 96 | 131 | 11.17- | * |
| 1.5 BlueHDi 100 (YHY (DV5RD)) | Diesel | FWD | 1499 | 73 | 99 | 06.18- | * |
| 1.5 BlueHDi 100 (YHY (DV5RD)) | Diesel | FWD | 1499 | 75 | 102 | 06.18- | * |
| 1.5 BlueHDI 120 (YHX (DV5RC)) | Diesel | FWD | 1499 | 88 | 120 | 09.18- | * |
| 1.6 HDi 90 (9HJ (DV6DTEDM)) | Diesel | FWD | 1560 | 68 | 92 | 09.14- | * |
| 1.6 HDi 90 (9HP (DV6D)) | Diesel | FWD | 1560 | 68 | 92 | 09.14- | * |
| 1.6 HDi 90 (9HP (DV6DTE)) | Diesel | FWD | 1560 | 68 | 92 | 09.14- | * |
| 1.6 BlueHDi 100 (BHY (DV6FD)) | Diesel | FWD | 1560 | 73 | 99 | 09.14-06.18 | * |
| C4 CACTUS Van (OB_, OP_) 09.14- | | | | Furgón/hatchback (Compact car-C Segment) | | | |
| PureTech 82 (HMZ (EB2)) | Gasolina | FWD | 1199 | 60 | 82 | 05.19- | * |
| PureTech 110 (HNP (EB2ADT)) | Gasolina | FWD | 1199 | 81 | 110 | 05.19- | * |
| PureTech 110 (HNZ (EB2DT)) | Gasolina | FWD | 1199 | 81 | 110 | 05.19- | * |
| PureTech 130 (HNY (EB2DTS)) | Gasolina | FWD | 1199 | 96 | 131 | 05.19- | * |
| BlueHDi 100 (YHY (DV5RD)) | Diesel | FWD | 1499 | 73 | 99 | 05.19- | * |
| BlueHDi 100 (BHY (DV6FD)) | Diesel | FWD | 1560 | 73 | 99 | 05.19- | * |
| C4 III (BA_, BB_, BC_) 10.20- | | | | [CAMBIADO]:Fastback (Compact car-C Segment) | | | |
| 1.2 PureTech 100 (BAHNEA, BAHNKA) | Gasolina | FWD | 1199 | 74 | 101 | 04.21- | * |
| 1.2 PureTech 130 (BAHNSA, BAHNSB) | Gasolina | FWD | 1199 | 96 | 131 | 10.20- | * |
| 1.2 PureTech 155 (BAHNNB, BAHNJD) | Gasolina | FWD | 1199 | 114 | 155 | 01.21- | * |
| BLUEHDI 110 (BBYHSA) | Diesel | FWD | 1499 | 81 | 110 | 12.20- | * |
| 1.5 BlueHDi 130 (BBYHZB) | Diesel | FWD | 1499 | 96 | 131 | 10.20- | * |
| DS3 (SA_) 11.09-12.16 | | | | [CAMBIADO]:Fastback (Supermini car-B Segment) | | | |
| 1.2 VTi 82 (HMZ (EB2)) | Gasolina | FWD | 1199 | 60 | 82 | 01.13-03.15 | * |
| 1.2 VTi 82 (HMZ (EB2F)) | Gasolina | FWD | 1199 | 60 | 82 | 01.13-03.15 | * |
| 1.2 THP 110 (HNZ (EB2DT)) | Gasolina | FWD | 1199 | 81 | 110 | 10.14-03.15 | * |
| 1.4 VTi 95 (8FP (EP3C)) | Gasolina | FWD | 1397 | 70 | 95 | 04.10-07.15 | * |
| 1.4 VTi 98 (8FR (EP3C)) | Gasolina | FWD | 1397 | 72 | 98 | 11.09-07.15 | * |
| 1.6 VTi 120 (5FS (EP6C)) | Gasolina | FWD | 1598 | 88 | 120 | 04.10-07.15 | * |
| 1.6 THP 150 (5FN (EP6CDT)) | Gasolina | FWD | 1598 | 110 | 150 | 01.10-07.15 | * |
| 1.6 THP 150 (5FX (EP6DT)) | Gasolina | FWD | 1598 | 110 | 150 | 01.10-07.15 | * |
| 1.6 THP 155 (5FR (EP6DT)) | Gasolina | FWD | 1598 | 115 | 156 | 04.10-07.15 | * |
| 1.6 THP 155 (5FV (EP6CDT)) | Gasolina | FWD | 1598 | 115 | 156 | 04.10-07.15 | * |

LISTA DE APLICACIONES - BUYERS GUIDE

| | | | | | | | | |
|--|--|------------------|-----|---|-----|-----|-------------|---|
| 1.6 THP160 (5FM (EP6DT)) | | Gasolina | FWD | 1598 | 120 | 163 | 01.12-07.15 | * |
| 1.6 THP 165 (5GZ (EP6FDT)) | | Gasolina | FWD | 1598 | 121 | 165 | 10.14-06.15 | * |
| 1.4 VTi 95 LPG (8FR (EP3C)) | | Gasol./Gas (LPG) | FWD | 1397 | 70 | 95 | 08.12-07.15 | * |
| 1.4 HDi 70 (SA8HP4) (8HR (DV4C)) | | Diesel | FWD | 1398 | 50 | 68 | 04.10-07.15 | * |
| 1.6 HDi 90 (9HP (DV6DTE)) | | Diesel | FWD | 1560 | 68 | 92 | 11.09-07.15 | * |
| 1.6 HDi 110 (9HR (DV6C)) | | Diesel | FWD | 1560 | 82 | 112 | 11.09-07.15 | * |
| 1.6 HDi 115 (9HD (DV6C)) | | Diesel | FWD | 1560 | 84 | 114 | 08.12-07.15 | * |
| 1.6 HDi 115 (BHX (DV6FC)) | | Diesel | FWD | 1560 | 85 | 115 | 10.13-07.15 | * |
| 1.6 BlueHDi 120 (BHZ (DV6FC)) | | Diesel | FWD | 1560 | 88 | 120 | 10.13-07.15 | * |
| DS3 01.13-07.15 | | | | Cabrio (Supermini car-B Segment) | | | | |
| 1.2 VTi 82 (HMZ (EB2F)) | | Gasolina | FWD | 1199 | 60 | 82 | 01.13-07.15 | * |
| 1.2 THP 110 (HNZ (EB2DT)) | | Gasolina | FWD | 1199 | 81 | 110 | 10.14-07.15 | * |
| 1.6 VTi 120 (5FS (EP6C)) | | Gasolina | FWD | 1598 | 88 | 120 | 01.13-07.15 | * |
| 1.6 THP 150 (5FN (EP6CDT)) | | Gasolina | FWD | 1598 | 110 | 150 | 01.13-07.15 | * |
| 1.6 THP 155 (5FV (EP6CDT)) | | Gasolina | FWD | 1598 | 115 | 156 | 01.13-07.15 | * |
| 1.6 THP 165 (5FM (EP6DT)) | | Gasolina | FWD | 1598 | 120 | 163 | 02.15-07.15 | * |
| 1.6 THP 165 (5GZ (EP6FDT)) | | Gasolina | FWD | 1598 | 121 | 165 | 10.14-07.15 | * |
| 1.6 HDi 90 (9HP (DV6DTE)) | | Diesel | FWD | 1560 | 68 | 92 | 01.13-07.15 | * |
| 1.6 BlueHDi 100 (BHY (DV6FD)) | | Diesel | FWD | 1560 | 73 | 99 | 07.14-07.15 | * |
| 1.6 BlueHDi 120 (BHZ (DV6FC)) | | Diesel | FWD | 1560 | 88 | 120 | 07.14-07.15 | * |
| CITROËN (DF-PSA) | | | | | | | | |
| C3 L 06.20- | | | | Sedán () | | | | |
| 190THP (HN11(EB2ADT)) | | Diesel | FWD | 1199 | 85 | 116 | 06.20- | * |
| DS | | | | | | | | |
| DS 3 (SA_) 04.15- | | | | [CAMBIADO]:Fastback (City car-A Segment) | | | | |
| 1.2 VTi 82 (SAHMZ6) (HMZ (EB2)) | | Gasolina | FWD | 1199 | 60 | 82 | 04.15-07.19 | * |
| 1.2 VTi 82 (SAHMZ6) (HMZ (EB2F)) | | Gasolina | FWD | 1199 | 60 | 82 | 04.15-07.19 | * |
| 1.2 THP 110 / PureTech 110 (SAHNPS, SAHNZ6, SAHNZT) (HNP (EB2ADT)) | | Gasolina | FWD | 1199 | 81 | 110 | 04.15-07.19 | * |
| 1.2 THP 110 / PureTech 110 (SAHNPS, SAHNZ6, SAHNZT) (HNZ (EB2DT)) | | Gasolina | FWD | 1199 | 81 | 110 | 04.15-07.19 | * |
| 1.2 THP 130 (SAHNYM) (HNY (EB2DTS)) | | Gasolina | FWD | 1199 | 96 | 130 | 09.15-07.19 | * |
| 1.6 THP (SA5GWM) (5GW (EP6FDT)) | | Gasolina | FWD | 1598 | 110 | 150 | 07.15-07.19 | * |
| 1.6 THP (SA5GZM) (5GZ (EP6FDT)) | | Gasolina | FWD | 1598 | 120 | 163 | 07.15-07.19 | * |
| 1.6 THP 165 (SA5GZM) (5GZ (EP6FDT)) | | Gasolina | FWD | 1598 | 121 | 165 | 07.15-07.19 | * |
| 1.6 THP 208 (SA5GRM) (5GR (EP6FDTX)) | | Gasolina | FWD | 1598 | 153 | 208 | 09.15-07.19 | * |
| 1.6 BlueHDi 75 (SABHW6) (BHW (DV6FE)) | | Diesel | FWD | 1560 | 55 | 75 | 07.15-07.19 | * |
| 1.6 BlueHDi 100 (SABHY0, SABHYT) (BHY (DV6FD)) | | Diesel | FWD | 1560 | 73 | 99 | 04.15-07.19 | * |
| 1.6 BlueHDi 116 (SABHXM) (BHX (DV6FC)) | | Diesel | FWD | 1560 | 85 | 116 | 07.15-07.19 | * |
| 1.6 BlueHDi 120 (SABHZM) (BHZ (DV6FC)) | | Diesel | FWD | 1560 | 88 | 120 | 07.15-07.19 | * |
| DS 3 (SB_) 07.15- | | | | Cabrio (City car-A Segment) | | | | |
| 1.2 VTi 82 (HMZ (EB2F)) | | Gasolina | FWD | 1199 | 60 | 82 | 07.15-07.19 | * |
| 1.2 THP 110 (HNP (EB2ADT)) | | Gasolina | FWD | 1199 | 81 | 110 | 07.15-07.19 | * |
| 1.2 THP 110 (HNZ (EB2DT)) | | Gasolina | FWD | 1199 | 81 | 110 | 07.15-07.19 | * |
| 1.2 THP 130 (HNY (EB2DTS)) | | Gasolina | FWD | 1199 | 96 | 130 | 09.15-07.19 | * |
| 1.6 THP (SB5GWM) (5GX (EP6FDTMD)) | | Gasolina | FWD | 1598 | 110 | 150 | 07.15-07.19 | * |
| 1.6 THP (5GZ (EP6FDT)) | | Gasolina | FWD | 1598 | 120 | 163 | 07.15-07.19 | * |
| 1.6 THP 165 (5GZ (EP6FDT)) | | Gasolina | FWD | 1598 | 121 | 165 | 07.15-07.19 | * |
| 1.6 THP 208 (5GR (EP6FDTX)) | | Gasolina | FWD | 1598 | 153 | 208 | 09.15-07.19 | * |
| 1.6 BlueHDi 100 (BHY (DV6FD)) | | Diesel | FWD | 1560 | 73 | 99 | 07.15-07.19 | * |

LISTA DE APLICACIONES - BUYERS GUIDE

| | | | | | | | | |
|---|--|------------------|-----|------|--|-----|-------------|---|
| 1.6 BlueHDi 116 (BHX (DV6FC)) | | Diesel | FWD | 1560 | 85 | 116 | 07.15-07.19 | * |
| 1.6 BlueHDi 120 (BHZ (DV6FC)) | | Diesel | FWD | 1560 | 88 | 120 | 07.15-07.19 | * |
| DS 3 CROSSBACK (UR_, UC_, UJ_) 10.18- | | | | | [CAMBIADO]:Fastback (City car-A Segment) | | | |
| 1.2 PureTech 100 (URHNKK, URHNEK) (HNK (EB2ADTD)) | | Gasolina | FWD | 1199 | 74 | 101 | 10.18- | * |
| 1.2 PureTech 130 (URHNSS) (HNS (EB2ADTS)) | | Gasolina | FWD | 1199 | 96 | 131 | 10.18- | * |
| 1.2 PureTech 155 (URHNNS) (HNN (EB2ADTX)) | | Gasolina | FWD | 1199 | 115 | 156 | 10.18-12.22 | * |
| E-TENSE (UZZKXZ) (ZKX) | | Eléctrico | FWD | | 100 | 136 | 05.19-12.22 | * |
| 1.5 BlueHDi 100 (UCYHYJ) (YHY (DV5RD)) | | Diesel | FWD | 1499 | 75 | 102 | 10.18-12.22 | * |
| 1.5 BlueHDi 110 (UCYHSK) | | Diesel | FWD | 1499 | 81 | 110 | 01.21-12.22 | * |
| 1.5 BlueHDi 130 (UCYHZR) (YHZ (DV5RC)) | | Diesel | FWD | 1499 | 96 | 130 | 10.18- | * |
| OPEL | | | | | | | | |
| CORSA F (P2JO) 07.19- | | | | | [CAMBIADO]:Fastback (Supermini car-B Segment) | | | |
| 1.2 (68) (F 12 XEL (EB2FAD)) | | Gasolina | FWD | 1199 | 55 | 75 | 07.19- | * |
| 1.2 (68) (F 12 XHL (EB2ADTD)) | | Gasolina | FWD | 1199 | 74 | 101 | 07.19- | * |
| 1.2 (68) (F 12 XHT (EB2ADTS)) | | Gasolina | FWD | 1199 | 96 | 131 | 07.19- | * |
| 1.2 MHEV | | Gasol./el éc. | FWD | 1199 | 74 | 101 | 08.23- | * |
| 1.2 Turbo Hybrid (68) | | Gasol./el éc. | FWD | 1199 | 100 | 136 | 01.24- | * |
| 1.5 (68) (D 15 DT (DV5RD)) | | Diesel | FWD | 1499 | 75 | 102 | 07.19- | * |
| CORSA F Van 07.19- | | | | | Furgón/hatchback (Supermini car-B Segment) | | | |
| 1.2 (68) (F 12 XEL (EB2FAD)) | | Gasolina | FWD | 1199 | 55 | 75 | 07.19- | * |
| 1.5 (68) (D 15 DT (DV5RD)) | | Diesel | FWD | 1499 | 75 | 102 | 07.19- | * |
| CROSSLAND X (P17, P2QO) 03.17- | | | | | SUV (Subcompact SUV-B Segment) | | | |
| 1.2 (75) (B 12 XE (EB2F)) | | Gasolina | FWD | 1199 | 60 | 82 | 03.17- | * |
| 1.2 (75) (D 12 XE (EB2FA)) | | Gasolina | FWD | 1199 | 60 | 82 | 03.17- | * |
| 1.2 (F 12 XE (EB2FA)) | | Gasolina | FWD | 1199 | 61 | 83 | 07.19- | * |
| 1.2 (75) (B 12 XHL (EB2DT)) | | Gasolina | FWD | 1199 | 81 | 110 | 03.17- | * |
| 1.2 (75) (D 12 XHL (EB2ADT)) | | Gasolina | FWD | 1199 | 81 | 110 | 03.17- | * |
| 1.2 (75) (F 12 XHL) | | Gasolina | FWD | 1199 | 81 | 110 | 03.17- | * |
| 1.2 (75) (B 12 XHT (EB2DTS)) | | Gasolina | FWD | 1199 | 96 | 131 | 03.17- | * |
| 1.2 (75) (D 12 XHT (EB2ADTS)) | | Gasolina | FWD | 1199 | 96 | 131 | 03.17- | * |
| 1.2 (75) (F 12 XHT (EB2ADTS)) | | Gasolina | FWD | 1199 | 96 | 131 | 03.17- | * |
| 1.2 LPG (75) (B 12 XE (EB2F)) | | Gasol./Gas (LPG) | FWD | 1199 | 60 | 82 | 10.17- | * |
| 1.5 Turbo D (75) (D 15 DT (DV5RD)) | | Diesel | FWD | 1499 | 75 | 102 | 06.18- | * |
| 1.5 (75) | | Diesel | FWD | 1499 | 81 | 110 | 10.20- | * |
| 1.5 Turbo D (75) (D 15 DTH (DV5RC)) | | Diesel | FWD | 1499 | 88 | 120 | 08.18- | * |
| 1.6 Turbo D(75) (B 16 DT (DV6FD)) | | Diesel | FWD | 1560 | 73 | 99 | 03.17-05.18 | * |
| 1.6 Turbo D(75) (B 16 DTH (DV6FC)) | | Diesel | FWD | 1560 | 85 | 116 | 08.17-04.19 | * |
| 1.6 Turbo D(75) (B 16 DTH (DV6FC)) | | Diesel | FWD | 1560 | 88 | 120 | 03.17-05.18 | * |
| CROSSLAND X Van 03.17- | | | | | Furgoneta/SUV (Subcompact SUV-B Segment) | | | |
| 1.2 (75) (F 12 XE (EB2FA)) | | Gasolina | FWD | 1199 | 61 | 83 | 07.19- | * |
| 1.2 (75) (D 12 XHL (EB2ADT)) | | Gasolina | FWD | 1199 | 81 | 110 | 07.18- | * |
| 1.2 (75) (F 12 XHL) | | Gasolina | FWD | 1199 | 81 | 110 | 07.18- | * |
| 1.5 (75) (D 15 DT (DV5RD)) | | Diesel | FWD | 1499 | 75 | 102 | 06.18- | * |
| MOKKA II 06.20- | | | | | SUV (Mini SUV-J Segment) | | | |
| 1.2 (76) (F 12 XHL (EB2ADTD)) | | Gasolina | FWD | 1199 | 74 | 101 | 10.20- | * |
| 1.2 (76) (F 12 XHT (EB2ADTS)) | | Gasolina | FWD | 1199 | 96 | 131 | 10.20- | * |

LISTA DE APLICACIONES - BUYERS GUIDE

| | | | | | | | | |
|--|--|------------------|-----|------|--|-----|-------------|---|
| 1.2 (76) | | Gasolina | FWD | 1199 | 100 | 136 | 12.22- | * |
| 1.2 Turbo Hybrid | | Gasol./el éc. | FWD | 1199 | 100 | 136 | 04.24- | * |
| 1.5 (76) | | Diesel | FWD | 1499 | 81 | 110 | 10.20- | * |
| PEUGEOT | | | | | | | | |
| 2008 (CU_) 03.13- | | | | | Furgoneta/SUV (Compact SUV-J Segment) | | | |
| PureTech 130 (CUHNYM, CUHNSS) | | Gasolina | FWD | 1199 | 96 | 131 | 01.18-11.19 | * |
| BlueHDi 100 (CUYHYM) | | Diesel | FWD | 1499 | 75 | 102 | 05.18- | * |
| BlueHDi 120 (CUYHXK) | | Diesel | FWD | 1499 | 88 | 120 | 05.18- | * |
| 2008 (CU_) 03.13- | | | | | SUV (Compact SUV-J Segment) | | | |
| 1.2 VTi (HMZ (EB2)) | | Gasolina | FWD | 1199 | 60 | 82 | 03.13-12.18 | * |
| 1.2 VTi (HMZ (EB2F)) | | Gasolina | FWD | 1199 | 60 | 82 | 03.13-12.18 | * |
| 1.2 PureTech 82 (HMR (EB2FA)) | | Gasolina | FWD | 1199 | 61 | 82 | 01.18-12.19 | * |
| 1.2 THP 110 / PureTech 110 (SAHNPS, SAHNZ6, SAHNZT) (HNP (EB2ADT)) | | Gasolina | FWD | 1199 | 81 | 110 | 01.15- | * |
| 1.2 THP 110 / PureTech 110 (SAHNPS, SAHNZ6, SAHNZT) (HNV (EB2DTM)) | | Gasolina | FWD | 1199 | 81 | 110 | 01.15- | * |
| 1.2 THP 110 / PureTech 110 (SAHNPS, SAHNZ6, SAHNZT) (HNZ (EB2DT)) | | Gasolina | FWD | 1199 | 81 | 110 | 01.15- | * |
| 1.2 PureTech 110 | | Gasolina | FWD | 1199 | 84 | 114 | 05.19- | * |
| 1.2 THP 130 / PureTech 130 (HNS (EB2ADTS)) | | Gasolina | FWD | 1199 | 96 | 130 | 01.15-11.19 | * |
| 1.2 THP 130 / PureTech 130 (HNY (EB2DTS)) | | Gasolina | FWD | 1199 | 96 | 130 | 01.15-11.19 | * |
| 1.6 VTi | | Gasolina | FWD | 1587 | 85 | 116 | 02.16- | * |
| 1.6 VTi (5FS (EP6C)) | | Gasolina | FWD | 1598 | 85 | 116 | 05.13- | * |
| 1.6 VTi (5FS (EP6C)) | | Gasolina | FWD | 1598 | 88 | 120 | 03.13- | * |
| 1.6 Flex | | Gasolina | FWD | 1598 | 90 | 122 | 04.15- | * |
| 1.6 THP 165 (5GY (EP6FDTM)) | | Gasolina | FWD | 1598 | 121 | 165 | 02.16- | * |
| 1.6 THP 165 (5GZ (EP6FDT)) | | Gasolina | FWD | 1598 | 121 | 165 | 02.16- | * |
| 1.6 Flex | | Gasolina | FWD | 1598 | 127 | 173 | 04.15- | * |
| 1.4 HDi (8HR (DV4C)) | | Diesel | FWD | 1398 | 50 | 68 | 06.13- | * |
| 1.5 BlueHDi 100 (YHY (DV5RD)) | | Diesel | FWD | 1499 | 75 | 102 | 05.18- | * |
| 1.5 BlueHDI 120 (YHX (DV5RC)) | | Diesel | FWD | 1499 | 88 | 120 | 05.18- | * |
| 1.6 BlueHDi 75 (BHW (DV6FE)) | | Diesel | FWD | 1560 | 55 | 75 | 01.15-11.19 | * |
| 1.6 HDi (9HP (DV6DTED)) | | Diesel | FWD | 1560 | 68 | 92 | 03.13- | * |
| 1.6 BlueHDi 100 (BHY (DV6FD)) | | Diesel | FWD | 1560 | 73 | 100 | 01.15-11.19 | * |
| 1.6 HDi (9HD (DV6C)) | | Diesel | FWD | 1560 | 84 | 114 | 03.13- | * |
| 1.6 BlueHDi (BHX (DV6FC)) | | Diesel | FWD | 1560 | 85 | 116 | 07.14- | * |
| 1.6 BlueHDi 120 (BHZ (DV6FC)) | | Diesel | FWD | 1560 | 88 | 120 | 07.14-04.18 | * |
| 2008 II (UD_, US_, UY_, UJ_, UR_, UC_) 08.19- | | | | | SUV (Compact SUV-J Segment) | | | |
| 1.2 PureTech 100 (USHNK) (HNK (EB2ADTD)) | | Gasolina | FWD | 1199 | 74 | 101 | 11.19- | * |
| 1.2 PureTech 130 (USHNS, URHNS) (HNS (EB2ADTS)) | | Gasolina | FWD | 1199 | 96 | 131 | 08.19- | * |
| 1.2 THP / PureTech 155 (USHNNS, URHNNS, UXHNJP, URHNJP,...) (HNJ (EB2ADTXM)) | | Gasolina | FWD | 1199 | 114 | 155 | 11.19- | * |
| 1.2 THP / PureTech 155 (USHNNS, URHNNS, UXHNJP, URHNJP,...) (HNN (EB2ADTX)) | | Gasolina | FWD | 1199 | 114 | 155 | 11.19- | * |
| 1.2 THP / PureTech 155 (USHNNS, URHNNS, UXHNJP, URHNJP,...) (HNR (EB2ADTXM)) | | Gasolina | FWD | 1199 | 114 | 155 | 11.19- | * |
| e-2008 (UKZKXZ) (ZKX (ZK01)) | | Eléctrico | FWD | | 100 | 136 | 09.19- | * |
| 1.5 BlueHDi 100 (YHY (DV5RD)) | | Diesel | FWD | 1499 | 75 | 102 | 08.19- | * |
| 1.5 BlueHDI 110 (UDYHSK) | | Diesel | FWD | 1499 | 81 | 110 | 01.21- | * |
| 1.5 BlueHDi 130 (YHZ (DV5RC)) | | Diesel | FWD | 1499 | 96 | 131 | 08.19- | * |
| 208 II (UB_, UP_, UW_, UJ_) 06.19- | | | | | [CAMBIADO]:Fastback (Supermini car-B Segment) | | | |
| 1.2 PureTech 75 (HMH (EB2FAD)) | | Gasolina | FWD | 1199 | 55 | 75 | 06.19- | * |

LISTA DE APLICACIONES - BUYERS GUIDE

| | | | | | | | | |
|-------------------------------------|--|------------------|-----|------|--|-----|-------------|---|
| 1.2 VTI 82 | | Gasolina | FWD | 1199 | 60 | 82 | 06.19- | * |
| 1.2 PureTech 100 (HNK (EB2ADT)) | | Gasolina | FWD | 1199 | 74 | 101 | 06.19- | * |
| 1.2 PureTech 130 (HNS (EB2ADTS)) | | Gasolina | FWD | 1199 | 96 | 131 | 06.19- | * |
| 1.2 PureTech 130 (HNY (EB2DTS)) | | Gasolina | FWD | 1199 | 96 | 131 | 06.19- | * |
| 1.6 VTI 115 (UWNFPW, UWNFJW) | | Gasolina | FWD | 1587 | 85 | 116 | 11.19- | * |
| e-208 (ZKX (ZK01)) | | Eléctrico | FWD | | 100 | 136 | 06.19- | * |
| 1.5 BlueHDi 100 (YHY (DV5RD)) | | Diesel | FWD | 1499 | 75 | 102 | 06.19- | * |
| 1.5 BlueHDi 130 (YHZ (DV5RC)) | | Diesel | FWD | 1499 | 96 | 131 | 09.19- | * |
| 1.6 HDi 90 (UB9HPA) | | Diesel | FWD | 1560 | 68 | 92 | 10.19- | * |
| PEUGEOT (DF-PSA) | | | | | | | | |
| 2008 II (U_P24) 05.20- | | | | | Closed SUV (Compact SUV-J Segment) | | | |
| 230 THP | | Gasolina | FWD | 1199 | 100 | 136 | 05.20- | * |
| EV | | Eléctrico | FWD | | 120 | 163 | 05.20- | * |
| VAUXHALL | | | | | | | | |
| CORSA Mk V (F) 07.19- | | | | | [CAMBIADO]:Fastback (Supermini car-B Segment) | | | |
| 1.2 (F 12 XEL (EB2FAD)) | | Gasolina | FWD | 1199 | 55 | 75 | 07.19- | * |
| 1.2 (F 12 XHL (EB2ADTD)) | | Gasolina | FWD | 1199 | 74 | 101 | 07.19- | * |
| 1.2 | | Gasolina | FWD | 1199 | 96 | 131 | 11.20- | * |
| 1.2 Turbo Hybrid | | Gasol./el éc. | FWD | 1199 | 74 | 101 | 10.24- | * |
| 1.2 Turbo Hybrid (68) | | Gasol./el éc. | FWD | 1199 | 100 | 136 | 01.24- | * |
| 1.5 (D 15 DT (DV5RD)) | | Diesel | FWD | 1499 | 75 | 102 | 07.19- | * |
| CROSSLAND X (P17) 03.17- | | | | | SUV (Subcompact SUV-B Segment) | | | |
| 1.2 (75) (B 12 XE (EB2F)) | | Gasolina | FWD | 1199 | 61 | 83 | 03.17- | * |
| 1.2 (75) (D 12 XE (EB2FA)) | | Gasolina | FWD | 1199 | 61 | 83 | 03.17- | * |
| 1.2 (75) (B 12 XHL (EB2DT)) | | Gasolina | FWD | 1199 | 81 | 110 | 03.17- | * |
| 1.2 (75) (B 12 XHT (EB2DTS)) | | Gasolina | FWD | 1199 | 81 | 110 | 03.17- | * |
| 1.2 (75) (D 12 XHL (EB2ADT)) | | Gasolina | FWD | 1199 | 81 | 110 | 03.17- | * |
| 1.2 (75) (B 12 XHT (EB2DTS)) | | Gasolina | FWD | 1199 | 96 | 131 | 03.17- | * |
| 1.2 (75) (D 12 XHT (EB2ADTS)) | | Gasolina | FWD | 1199 | 96 | 131 | 03.17- | * |
| 1.2 (75) (F 12 XHT (EB2ADTS)) | | Gasolina | FWD | 1199 | 96 | 131 | 03.17- | * |
| 1.2 LPG (75) | | Gasol./Gas (LPG) | FWD | 1199 | 55 | 75 | 03.17- | * |
| 1.5 Turbo D (75) (D 15 DT (DV5RD)) | | Diesel | FWD | 1499 | 75 | 102 | 06.18- | * |
| 1.5 Turbo D ((75)) | | Diesel | FWD | 1499 | 81 | 110 | 10.20- | * |
| 1.5 Turbo D (75) (D 15 DTH (DV5RC)) | | Diesel | FWD | 1499 | 88 | 120 | 08.18- | * |
| 1.6 Turbo D(75) (B 16 DT (DV6FD)) | | Diesel | FWD | 1560 | 73 | 99 | 03.17-05.18 | * |
| 1.6 Turbo D(75) | | Diesel | FWD | 1560 | 85 | 116 | 06.17- | * |
| 1.6 Turbo D(75) (B 16 DTH (DV6FC)) | | Diesel | FWD | 1560 | 88 | 120 | 03.17-05.18 | * |
| MOKKA II 06.20- | | | | | SUV (Mini SUV-J Segment) | | | |
| 1.2 (76) (F 12 XHL (EB2ADTD)) | | Gasolina | FWD | 1199 | 74 | 101 | 10.20- | * |
| 1.2 (76) (F 12 XHT (EB2ADTS)) | | Gasolina | FWD | 1199 | 96 | 131 | 10.20- | * |
| 1.2 (76) | | Gasolina | FWD | 1199 | 100 | 136 | 12.22- | * |
| 1.2 Hybrid | | Gasol./el éc. | FWD | 1199 | 100 | 136 | 12.24- | * |
| 1.5 (76) | | Diesel | FWD | 1499 | 81 | 110 | 10.20- | * |
| ZOTYE | | | | | | | | |
| 2008 / 5008 01.06- | | | | | SUV (Compact SUV-J Segment) | | | |
| 1.3 | | Gasolina | RWD | 1299 | 69 | 94 | 01.07-12.10 | * |
| 1.5 | | Gasolina | RWD | 1488 | 78 | 106 | 01.07-12.11 | * |

LISTA DE APLICACIONES - BUYERS GUIDE

| | | | | | | | | |
|--------------|--|----------|-----|------|----|-----|-------------|---|
| 1.6 (XS6400) | | Gasolina | RWD | 1584 | 74 | 101 | 01.06-05.15 | * |
|--------------|--|----------|-----|------|----|-----|-------------|---|