

LISTA DE APLICACIONES - BUYERS GUIDE

RB1923

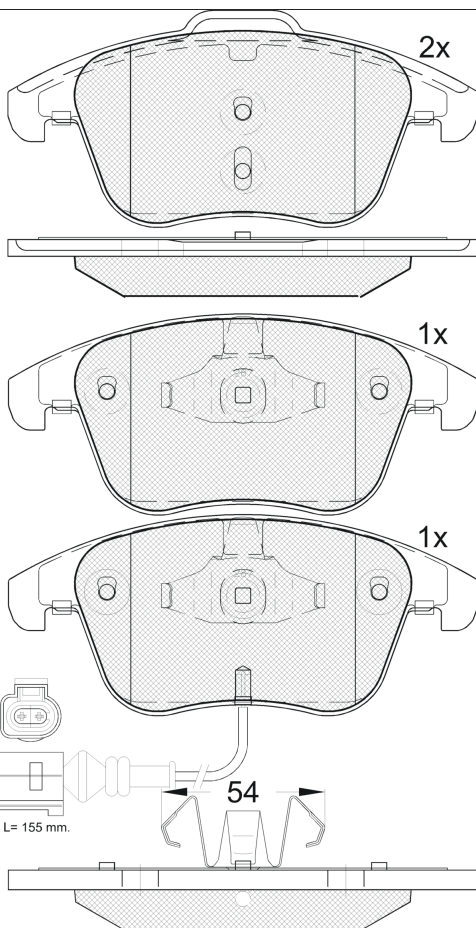


8 424073 136299

Qty: 300

Weight: 2.245

O.E.M.	MAKE
5N0 698 151	VW
5N0 698 151 A	VW
5N0 698 151 B	VW
5N0 698 151 C	AUDI
5ND 698 151 A	AUDI
7N0 698 151	VW
JZW 698 151 S	VW



RB1923

E 9 90R-01111/2324



Ate - Teves

155.2x66.53x20.7

155.3x71.7x20.7

WVA	FMSI
24332	D1375-8486
24333	
24334	
25311	
25312	

Sin Filas



Trac.	CC	Kw	CV
-------	----	----	----



Front / Rear

AUDI

Q3 (8UB, 8UG) 06.11-				SUV (Compact Crossover CUV-C Segment)				
1.4 TFSI (CZDB)	Gasolina	FWD	1395	92	125	07.16-10.18	*	
1.4 TSI (CHPB)	Gasolina	FWD	1395	110	150	10.13-10.18	*	
1.4 TSI (CZDA)	Gasolina	FWD	1395	110	150	10.13-10.18	*	
1.4 TSI (CZEA)	Gasolina	FWD	1395	110	150	10.13-10.18	*	
2.0 TFSI quattro (CCZC)	Gasolina	4WD	1984	125	170	06.11-04.15	*	
2.0 TFSI (CULB)	Gasolina	FWD	1984	132	180	05.15-10.18	*	
2.0 TFSI quattro (CULB)	Gasolina	4WD	1984	132	180	11.14-10.18	*	
2.0 TFSI quattro (CCTA)	Gasolina	4WD	1984	147	200	09.14-10.18	*	
2.0 TFSI quattro (CPSA)	Gasolina	4WD	1984	155	211	06.11-04.15	*	
2.0 TFSI quattro (CULC)	Gasolina	4WD	1984	162	220	11.14-10.18	*	
RS 2.5 quattro (CTSA)	Gasolina	4WD	2480	228	310	10.13-10.18	*	
RS 2.5 quattro (CZGA)	Gasolina	4WD	2480	250	340	05.13-10.18	*	
RS performance 2.5 quattro (CZGB)	Gasolina	4WD	2480	270	367	01.15-10.18	*	
3.2 TFSi	Gasolina	FWD	3195	125	170	11.14-	*	
3.2 TFSi	Gasolina	FWD	3195	155	211	11.14-	*	
1.4 TFSi Flex (CWLA)	Gasol./Etanol	FWD	1395	110	150	02.16-10.18	*	
1.4 TFSi Flex (CZDA)	Gasol./Etanol	FWD	1395	110	150	02.16-10.18	*	
2.0 TDI (CUVD)	Diesel	FWD	1968	88	120	03.15-10.18	*	
2.0 TDI (DFTC)	Diesel	FWD	1968	88	120	03.15-10.18	*	
2.0 TDI (CFFA)	Diesel	FWD	1968	100	136	09.11-10.18	*	
2.0 TDI (CUVB)	Diesel	FWD	1968	100	136	09.11-10.18	*	
2.0 TDI (DFTB)	Diesel	FWD	1968	100	136	09.11-10.18	*	

LISTA DE APLICACIONES - BUYERS GUIDE

2.0 TDI (CFFB)		Diesel	FWD	1968	103	140	09.11-10.18	*
2.0 TDI (CLJA)		Diesel	FWD	1968	103	140	09.11-10.18	*
2.0 TDI quattro (CFFB)		Diesel	4WD	1968	103	140	01.12-10.18	*
2.0 TDI (CUVC)		Diesel	FWD	1968	110	150	11.14-10.18	*
2.0 TDI (DBBA)		Diesel	FWD	1968	110	150	11.14-10.18	*
2.0 TDI (DFTA)		Diesel	FWD	1968	110	150	11.14-10.18	*
2.0 TDI quattro (CUVC)		Diesel	4WD	1968	110	150	11.14-10.18	*
2.0 TDI quattro (DFTA)		Diesel	4WD	1968	110	150	11.14-10.18	*
2.0 TDI quattro (CFGD)		Diesel	4WD	1968	120	163	06.11-04.15	*
2.0 TDI (CFGC)		Diesel	FWD	1968	130	177	06.11-04.15	*
2.0 TDI quattro (CFGC)		Diesel	4WD	1968	130	177	06.11-10.18	*
2.0 TDI quattro (CLLB)		Diesel	4WD	1968	130	177	06.11-10.18	*
2.0 TDI (CUWA)		Diesel	FWD	1968	135	184	05.15-10.18	*
2.0 TDI (DFUA)		Diesel	FWD	1968	135	184	05.15-10.18	*
2.0 TDI quattro (CUWA)		Diesel	4WD	1968	135	184	11.14-10.18	*
2.0 TDI quattro (CYLA)		Diesel	4WD	1968	135	184	11.14-10.18	*
2.0 TDI quattro (DFUA)		Diesel	4WD	1968	135	184	11.14-10.18	*
2.0 TDI		Diesel	RWD	1995	130	177	11.14-	*
3.2 TDi		Diesel	RWD	3195	103	140	11.14-	*
AUDI (FAW)								
Q3 (84B, 84G) 04.13-					SUV (Compact Crossover CUV-C Segment)			
35 TFSI		Gasolina	FWD	1984	125	170	04.13-12.16	*
35 TFSI quattro		Gasolina	4WD	1984	125	170	04.13-12.16	*
40 TFSI quattro		Gasolina	4WD	1984	147	200	04.13-12.16	*
BORGWARD								
BX5 03.17-					SUV (Compact Crossover CUV-C Segment)			
20TGD i (BWE414A)		Gasolina	FWD	1395	110	150	08.17-12.21	*
25TGD i (BWE418A)		Gasolina	FWD	1797	140	190	03.17-12.21	*
25TGD i AWD (BWE418A)		Gasolina	4WD	1797	140	190	03.17-12.21	*
BX6 05.18-					SUV (Compact Crossover CUV-C Segment)			
25TGD i AWD (BWE420B)		Gasolina	4WD	1981	165	224	05.18-	*
BX7 04.16-					SUV (Luxury Crossover SUV-J Segment)			
28TGD i (BWE420B)		Gasolina	FWD	1981	165	224	04.16-12.21	*
28TGD i AWD (BWE420B)		Gasolina	4WD	1981	165	224	04.16-12.21	*
BXi7 05.18-					SUV (Luxury Crossover SUV-J Segment)			
EV (TZ180XS)		Eléctrico			178	242	05.18-	*
SEAT								
ALHAMBRA II (711) 06.10-					Furgoneta/MPV (Large MPV-M1 Segment)			
TSi		Gasolina	FWD	1395	110	150	05.15-12.22	*
TDI		Diesel	FWD	1968	85	116	10.14-09.18	*
ALHAMBRA II (710, 711) 06.10-					MPV (Large MPV-M1 Segment)			
1.4 TSi (CAVA)		Gasolina	FWD	1390	110	150	06.10-04.15	*
1.4 TSi (CNWB)		Gasolina	FWD	1390	110	150	06.10-04.15	*
1.4 TSi (CTHA)		Gasolina	FWD	1390	110	150	06.10-04.15	*
1.4 TSi (CZDA)		Gasolina	FWD	1395	110	150	05.15-12.22	*
1.4 TSi (DJKA)		Gasolina	FWD	1395	110	150	05.15-12.22	*
1.8 TSi (CDAA)		Gasolina	FWD	1798	118	160	11.12-04.15	*

LISTA DE APLICACIONES - BUYERS GUIDE

2.0 TSI (CCZA)		Gasolina	FWD	1984	147	200	11.10-05.12	*
2.0 TDI (CFFE)		Diesel	FWD	1968	85	115	05.11-12.22	*
2.0 TDI (CUVA)		Diesel	FWD	1968	85	115	05.11-12.22	*
2.0 TDI (DFLD)		Diesel	FWD	1968	85	115	05.11-12.22	*
2.0 TDI (DLTC)		Diesel	FWD	1968	85	115	05.11-12.22	*
2.0 TDI (CFFA)		Diesel	FWD	1968	100	136	06.10-05.11	*
2.0 TDI (CFFB)		Diesel	FWD	1968	103	140	06.10-04.15	*
2.0 TDI 4Drive (CFFB)		Diesel	4WD	1968	103	140	05.11-04.15	*
2.0 TDI (CFGB)		Diesel	FWD	1968	125	170	06.10-02.13	*
2.0 TDI (CFGC)		Diesel	FWD	1968	130	177	11.12-12.22	*
2.0 TDI (DLUB)		Diesel	FWD	1968	130	177	11.12-12.22	*

VW

PASSAT B7 (A32, A33) 01.11-12.20

Sedán (Large family car-D Segment)

2.5 (CBTA)		Gasolina	FWD	2480	125	170	01.11-12.20	*
2.5 (CBUA)		Gasolina	FWD	2480	125	170	01.11-12.20	*
2.5 (CCCA)		Gasolina	FWD	2480	125	170	01.11-12.20	*

PASSAT B8 (3G2, CB2) 08.14-

Sedán (Large family car-D Segment)

1.4 TSI (CZCA)		Gasolina	FWD	1395	92	125	11.14-11.18	*
1.4 TSI (CZDA)		Gasolina	FWD	1395	110	150	11.14-03.24	*
1.4 TSI (CZEA)		Gasolina	FWD	1395	110	150	11.14-03.24	*
1.4 TSI 4motion (CZEA)		Gasolina	4WD	1395	110	150	02.15-11.18	*
1.8 TSI (CJSA)		Gasolina	FWD	1798	132	180	02.15-07.19	*
1.8 TSI (CJSC)		Gasolina	FWD	1798	132	180	02.15-07.19	*
2.0 TSI (CHHB)		Gasolina	FWD	1984	162	220	02.15-03.24	*
2.0 TSI (CXDA)		Gasolina	FWD	1984	162	220	02.15-03.24	*
2.0 TSI 4motion (CJXA)		Gasolina	4WD	1984	206	280	05.15-03.24	*
1.6 TDI (DCXA)		Diesel	FWD	1598	88	120	08.14-11.20	*
1.6 TDI (DCZA)		Diesel	FWD	1598	88	120	08.14-11.20	*
2.0 TDI (CRLB)		Diesel	FWD	1968	110	150	11.14-03.24	*
2.0 TDI (DBGA)		Diesel	FWD	1968	110	150	11.14-03.24	*
2.0 TDI (DFGA)		Diesel	FWD	1968	110	150	11.14-03.24	*
2.0 TDI (DSRA)		Diesel	FWD	1968	110	150	11.14-03.24	*
2.0 TDI (DSRB)		Diesel	FWD	1968	110	150	11.14-03.24	*
2.0 TDI 4motion (CRLB)		Diesel	4WD	1968	110	150	08.14-03.24	*
2.0 TDI 4motion (DFEA)		Diesel	4WD	1968	110	150	08.14-03.24	*
2.0 TDI 4motion (DFGA)		Diesel	4WD	1968	110	150	08.14-03.24	*
2.0 TDI (CUPA)		Diesel	FWD	1968	135	184	07.15-05.16	*
2.0 TDI (DDAA)		Diesel	FWD	1968	140	190	11.14-03.24	*
2.0 TDI (DFCA)		Diesel	FWD	1968	140	190	11.14-03.24	*
2.0 TDI (DFHA)		Diesel	FWD	1968	140	190	11.14-03.24	*
2.0 TDI 4motion (DDAA)		Diesel	4WD	1968	140	190	11.14-03.24	*
2.0 TDI 4motion (DFCA)		Diesel	4WD	1968	140	190	11.14-03.24	*
2.0 TDI 4motion (DFHA)		Diesel	4WD	1968	140	190	11.14-03.24	*
2.0 TDI 4motion (CUAA)		Diesel	4WD	1968	176	240	08.14-11.20	*

PASSAT B8 ALLTRACK Variant (3G5, CB5) 05.15-

[CAMBIADO]:Break (Large family car-D Segment)

2.0 TSI 4motion (CHHB)		Gasolina	4WD	1984	162	220	07.15-03.24	*
2.0 TDI 4motion (CRLB)		Diesel	4WD	1968	110	150	05.15-11.17	*
2.0 TDI 4motion (DFEA)		Diesel	4WD	1968	110	150	05.15-11.17	*
2.0 TDI 4motion (CUPA)		Diesel	4WD	1968	135	184	07.15-05.16	*
2.0 TDI 4motion (DDAA)		Diesel	4WD	1968	140	190	05.15-03.24	*

LISTA DE APLICACIONES - BUYERS GUIDE

2.0 TDI 4motion (DFCA)		Diesel	4WD	1968	140	190	05.15-03.24	*
2.0 TDI 4motion (DFHA)		Diesel	4WD	1968	140	190	05.15-03.24	*
2.0 TDI 4motion (CUAA)		Diesel	4WD	1968	176	240	05.15-11.20	*
PASSAT B8 Variant (3G5, CB5) 08.14-					[CAMBIADO]:Break (Large family car-D Segment)			
1.4 TSI (CZCA)		Gasolina	FWD	1395	92	125	11.14-11.18	*
1.4 TSI (CZDA)		Gasolina	FWD	1395	110	150	11.14-03.24	*
1.4 TSI (CZEA)		Gasolina	FWD	1395	110	150	11.14-03.24	*
1.4 TSI 4motion (CZEA)		Gasolina	4WD	1395	110	150	02.15-11.18	*
1.8 TSI (CJSA)		Gasolina	FWD	1798	132	180	02.15-07.19	*
1.8 TSI (CJSC)		Gasolina	FWD	1798	132	180	02.15-07.19	*
2.0 TSI (CHHB)		Gasolina	FWD	1984	162	220	08.14-03.24	*
2.0 TSI (CXDA)		Gasolina	FWD	1984	162	220	08.14-03.24	*
2.0 TSI 4motion (CJXA)		Gasolina	4WD	1984	206	280	05.15-03.24	*
1.6 TDI (DCXA)		Diesel	FWD	1598	88	120	08.14-11.20	*
1.6 TDI (DCZA)		Diesel	FWD	1598	88	120	08.14-11.20	*
2.0 TDI (CRLB)		Diesel	FWD	1968	110	150	11.14-03.24	*
2.0 TDI (DBGGA)		Diesel	FWD	1968	110	150	11.14-03.24	*
2.0 TDI (DFGA)		Diesel	FWD	1968	110	150	11.14-03.24	*
2.0 TDI (DSRA)		Diesel	FWD	1968	110	150	11.14-03.24	*
2.0 TDI (DSRB)		Diesel	FWD	1968	110	150	11.14-03.24	*
2.0 TDI 4motion (CRLB)		Diesel	4WD	1968	110	150	08.14-03.24	*
2.0 TDI 4motion (DFEA)		Diesel	4WD	1968	110	150	08.14-03.24	*
2.0 TDI 4motion (DFGA)		Diesel	4WD	1968	110	150	08.14-03.24	*
2.0 TDI (CUPA)		Diesel	FWD	1968	135	184	07.15-05.16	*
2.0 TDI (DDAA)		Diesel	FWD	1968	140	190	11.14-03.24	*
2.0 TDI (DFCA)		Diesel	FWD	1968	140	190	11.14-03.24	*
2.0 TDI (DFHA)		Diesel	FWD	1968	140	190	11.14-03.24	*
2.0 TDI 4motion (DDAA)		Diesel	4WD	1968	140	190	11.14-03.24	*
2.0 TDI 4motion (DFCA)		Diesel	4WD	1968	140	190	11.14-03.24	*
2.0 TDI 4motion (DFHA)		Diesel	4WD	1968	140	190	11.14-03.24	*
2.0 TDI 4motion (CUAA)		Diesel	4WD	1968	176	240	08.14-11.20	*
SHARAN II (7N1, 7N2) 05.10-					Furgoneta/MPV (Large MPV-M1 Segment)			
1.4 TSI		Gasolina	FWD	1390	110	150	05.10-11.15	*
2.0 TSI		Gasolina	FWD	1984	147	200	12.10-11.15	*
2.0 TDI		Diesel	FWD	1968	85	116	05.11-11.15	*
2.0 TDI		Diesel	FWD	1968	100	136	05.10-05.11	*
2.0 TDI		Diesel	FWD	1968	103	140	05.10-11.15	*
2.0 TDI		Diesel	FWD	1968	125	170	08.10-01.13	*
SHARAN II (7N1, 7N2) 05.10-					MPV (Large MPV-M1 Segment)			
1.4 TSI (CAVA)		Gasolina	FWD	1390	110	150	05.10-11.15	*
1.4 TSI (CNWB)		Gasolina	FWD	1390	110	150	05.10-11.15	*
1.4 TSI (CTHA)		Gasolina	FWD	1390	110	150	05.10-11.15	*
1.4 TSI (CZDA)		Gasolina	FWD	1395	110	150	05.15-11.22	*
1.4 TSI (DJKA)		Gasolina	FWD	1395	110	150	05.15-11.22	*
2.0 TFSI (CCZA)		Gasolina	FWD	1984	147	200	12.10-11.15	*
2.0 TSI (DEDA)		Gasolina	FWD	1984	162	220	05.15-12.20	*
2.0 TDI (CFFE)		Diesel	FWD	1968	85	115	05.11-07.19	*
2.0 TDI (CUVA)		Diesel	FWD	1968	85	115	05.11-07.19	*
2.0 TDI (DFLD)		Diesel	FWD	1968	85	115	05.11-07.19	*
2.0 TDI (DLTC)		Diesel	FWD	1968	85	115	05.11-07.19	*

LISTA DE APLICACIONES - BUYERS GUIDE

2.0 TDI		Diesel	RWD	1968	100	136	05.11-05.12	*	
2.0 TDI (CFFA)		Diesel	FWD	1968	100	136	05.10-11.15	*	
2.0 TDI (CFFB)		Diesel	FWD	1968	103	140	05.10-11.15	*	
2.0 TDI 4motion (CFFB)		Diesel	4WD	1968	103	140	05.11-11.15	*	
2.0 TDI (CUVC)		Diesel	FWD	1968	110	150	05.15-10.20	*	
2.0 TDI (DFLA)		Diesel	FWD	1968	110	150	05.15-10.20	*	
2.0 TDI (DLTA)		Diesel	FWD	1968	110	150	05.15-10.20	*	
2.0 TDI 4motion (CUVC)		Diesel	4WD	1968	110	150	05.15-07.19	*	
2.0 TDI 4motion (DFLA)		Diesel	4WD	1968	110	150	05.15-07.19	*	
2.0 TDI 4motion (DLTA)		Diesel	4WD	1968	110	150	05.15-07.19	*	
2.0 TDI (CFGB)		Diesel	FWD	1968	125	170	05.10-01.13	*	
2.0 TDI (CFGC)		Diesel	FWD	1968	130	177	01.13-06.22	*	
2.0 TDI (DLUB)		Diesel	FWD	1968	130	177	01.13-06.22	*	
2.0 TDI (CUWA)		Diesel	FWD	1968	135	184	05.15-07.18	*	
2.0 TDI (DFMA)		Diesel	FWD	1968	135	184	05.15-07.18	*	
2.0 TDI 4motion (DFMA)		Diesel	4WD	1968	135	184	05.16-07.18	*	
TIGUAN (5N_) 09.07-07.18					Furgoneta/SUV (Compact SUV-J Segment)				
1.4 TSI (5N1)		Gasolina	FWD	1390	90	122	08.10-05.11	*	
1.4 TSI (5N1)		Gasolina	FWD	1390	110	150	05.08-05.10	*	
1.4 TSI (5N2)		Gasolina	FWD	1390	118	160	09.12-07.18	*	
1.4 TSI 4motion (5N2)		Gasolina	4WD	1390	118	160	09.12-07.18	*	
2.0 TSI 4motion (5N1)		Gasolina	4WD	1984	125	170	11.09-05.11	*	
2.0 TSI 4motion (5N1)		Gasolina	4WD	1984	147	200	11.09-05.11	*	
2.0 TSI 4motion (5N2)		Gasolina	4WD	1984	155	211	05.11-07.18	*	
2.0 TDI (5N1)		Diesel	FWD	1968	81	110	05.10-07.11	*	
2.0 TDI (5N1, 5N2)		Diesel	FWD	1968	103	140	11.09-07.18	*	
2.0 TDI 4motion (5N1, 5N2)		Diesel	4WD	1968	103	140	11.07-07.18	*	
2.0 TDI 4motion (5N1, 5N2)		Diesel	4WD	1968	125	170	05.10-05.13	*	
2.0 TDI 4motion (5N2)		Diesel	4WD	1968	130	177	11.12-07.18	*	
TIGUAN (5N_) 09.07-					SUV (Compact SUV-J Segment)				
1.4 TSI (CAXA)		Gasolina	FWD	1390	90	122	08.10-07.18	*	
1.4 TSI (CAVA)		Gasolina	FWD	1390	110	150	05.08-07.18	*	
1.4 TSI (CTHA)		Gasolina	FWD	1390	110	150	05.08-07.18	*	
1.4 TSI 4motion (BWK)		Gasolina	4WD	1390	110	150	09.07-07.18	*	
1.4 TSI 4motion (CAVA)		Gasolina	4WD	1390	110	150	09.07-07.18	*	
1.4 TSI 4motion (CTHA)		Gasolina	4WD	1390	110	150	09.07-07.18	*	
1.4 TSI (CAVD)		Gasolina	FWD	1390	118	160	05.11-07.18	*	
1.4 TSI (CTHD)		Gasolina	FWD	1390	118	160	05.11-07.18	*	
1.4 TSI 4motion (CAVD)		Gasolina	4WD	1390	118	160	05.11-07.18	*	
1.4 TSI 4motion (CTHD)		Gasolina	4WD	1390	118	160	05.11-07.18	*	
1.4 TSI (CZDB)		Gasolina	FWD	1395	92	125	05.15-07.18	*	
1.4 TSI (CZDA)		Gasolina	FWD	1395	110	150	05.15-07.18	*	
2.0 TFSI		Gasolina	FWD	1984	125	170	05.08-	*	
2.0 TFSI 4motion (CAWA)		Gasolina	4WD	1984	125	170	09.07-07.18	*	
2.0 TFSI 4motion (CCTB)		Gasolina	4WD	1984	125	170	09.07-07.18	*	
2.0 TFSI 4motion (CCZC)		Gasolina	4WD	1984	125	170	09.07-07.18	*	
2.0 TSI 4motion (CCZD)		Gasolina	4WD	1984	132	180	05.11-07.18	*	
2.0 TFSI (CAWB)		Gasolina	FWD	1984	147	200	11.07-07.18	*	
2.0 TFSI (CCTA)		Gasolina	FWD	1984	147	200	11.07-07.18	*	
2.0 TFSI (CCZA)		Gasolina	FWD	1984	147	200	11.07-07.18	*	

LISTA DE APLICACIONES - BUYERS GUIDE

2.0 TFSI 4motion (CAWB)		Gasolina	4WD	1984	147	200	09.07-07.18	*
2.0 TFSI 4motion (CCTA)		Gasolina	4WD	1984	147	200	09.07-07.18	*
2.0 TFSI 4motion (CCZA)		Gasolina	4WD	1984	147	200	09.07-07.18	*
2.0 TSI 4motion (CCZB)		Gasolina	4WD	1984	155	211	05.11-07.18	*
2.0 TDI (CFFD)		Diesel	FWD	1968	81	110	05.10-07.18	*
2.0 TDI (CUVE)		Diesel	FWD	1968	81	110	05.10-07.18	*
2.0 TDI 4motion (CBAA)		Diesel	4WD	1968	100	136	11.07-07.18	*
2.0 TDI 4motion (CFFA)		Diesel	4WD	1968	100	136	11.07-07.18	*
2.0 TDI (CBAB)		Diesel	FWD	1968	103	140	03.08-07.18	*
2.0 TDI (CFFB)		Diesel	FWD	1968	103	140	03.08-07.18	*
2.0 TDI 4motion (CBAB)		Diesel	4WD	1968	103	140	09.07-07.18	*
2.0 TDI 4motion (CFFB)		Diesel	4WD	1968	103	140	09.07-07.18	*
2.0 TDI 4motion (CLJA)		Diesel	4WD	1968	103	140	09.07-07.18	*
2.0 TDI (CUVC)		Diesel	FWD	1968	110	150	05.15-07.18	*
2.0 TDI 4motion (CUVC)		Diesel	4WD	1968	110	150	05.15-07.18	*
2.0 TDI 4motion (CBBA)		Diesel	4WD	1968	120	163	02.08-08.09	*
2.0 TDI 4motion (CBBB)		Diesel	4WD	1968	125	170	09.07-07.18	*
2.0 TDI 4motion (CFGB)		Diesel	4WD	1968	125	170	09.07-07.18	*
2.0 TDI 4motion (CFGC)		Diesel	4WD	1968	130	177	11.12-07.18	*
2.0 TDI 4motion (CUWA)		Diesel	4WD	1968	135	184	05.15-07.18	*
TIGUAN II (AD1) 07.15-				Furgoneta/SUV ()				
TDI 4motion		Diesel	4WD	1968	140	190	01.16-07.20	*
TIGUAN II (AD1, AX1) 01.16-				SUV (Compact SUV-J Segment)				
1.4 TSI (CZCA)		Gasolina	FWD	1395	92	125	01.16-03.22	*
1.4 TSI (CZDA)		Gasolina	FWD	1395	110	150	05.16-03.22	*
1.4 TSI (CZEA)		Gasolina	FWD	1395	110	150	05.16-03.22	*
1.4 TSI (DJVA)		Gasolina	FWD	1395	110	150	05.16-03.22	*
1.4 TSI 4motion (CZDA)		Gasolina	4WD	1395	110	150	05.16-03.22	*
1.4 TSI 4motion (CZEA)		Gasolina	4WD	1395	110	150	05.16-03.22	*
2.0 TSI 4motion (CZPA)		Gasolina	4WD	1984	132	180	01.16-04.24	*
2.0 TSI 4motion (CHHB)		Gasolina	4WD	1984	162	220	06.16-04.24	*
1.6 TDI (DGDB)		Diesel	FWD	1598	85	115	05.16-06.20	*
2.0 TDI (CYKC)		Diesel	FWD	1968	81	110	08.16-07.20	*
2.0 TDI (DFGC)		Diesel	FWD	1968	85	115	05.16-07.19	*
2.0 TDI 4motion		Diesel	4WD	1968	105	143	06.16-07.20	*
2.0 TDI (DFGA)		Diesel	FWD	1968	110	150	01.16-04.24	*
2.0 TDI (DTSA)		Diesel	FWD	1968	110	150	01.16-04.24	*
2.0 TDI (DTSB)		Diesel	FWD	1968	110	150	01.16-04.24	*
2.0 TDI 4motion (DBGC)		Diesel	4WD	1968	110	150	01.16-04.24	*
2.0 TDI 4motion (DFGA)		Diesel	4WD	1968	110	150	01.16-04.24	*
2.0 TDI 4motion (DTSA)		Diesel	4WD	1968	110	150	01.16-04.24	*
2.0 TDI 4motion (DTSB)		Diesel	4WD	1968	110	150	01.16-04.24	*
2.0 TDI 4motion (CRGB)		Diesel	4WD	1968	130	177	08.16-07.20	*
2.0 TDI 4motion (DFHA)		Diesel	4WD	1968	140	190	04.16-07.20	*
2.0 TDI 4motion (CUAA)		Diesel	4WD	1968	176	240	05.16-07.20	*
VW (SVW)								
TIGUAN (591, 592) 03.10-				Closed SUV (Compact SUV-J Segment)				
1.4 TSI		Gasolina	FWD	1390	96	131	07.12-	*
TIGUAN (591, 592) 03.10-				SUV (Compact SUV-J Segment)				
300 TSI		Gasolina	FWD	1798	118	160	03.10-12.19	*

LISTA DE APLICACIONES - BUYERS GUIDE

300 TSI 4motion	Gasolina	4WD	1798	118	160	03.10-12.17	*
330 TSI 4motion	Gasolina	4WD	1984	147	200	03.10-12.17	*