

# LISTA DE APLICACIONES - BUYERS GUIDE

## RB1920

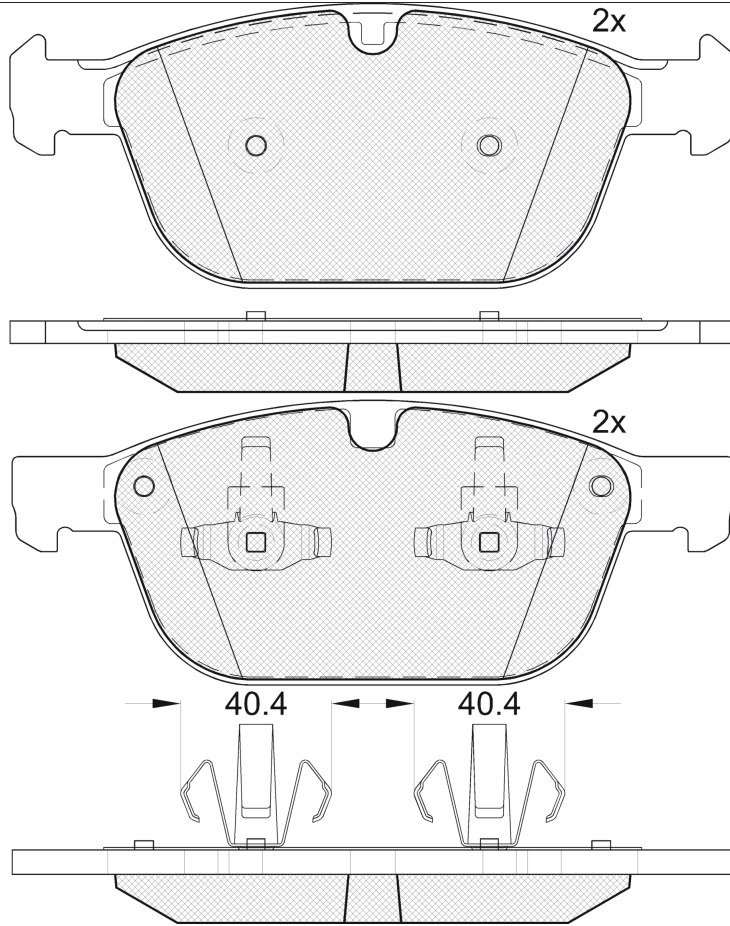


8 424073 136268

Qty: 300

Weight: 3.050

O.E.M.	MAKE
3 079 394 3	VOLVO
3 127 733 4	VOLVO
3 168 710 4	VOLVO



## RB1920



E 9 90R-01111/2638

Ate - Teves

193.2x76.3x20.2

194.4x76.3x20.2

WVA
24399
24400
24875

FMSI
D1412-8525

Sin Filas



Trac.	CC	Kw	CV
-------	----	----	----



Front / Rear

### VOLVO

#### XC60 (156) 05.08-

#### SUV (Compact SUV-J Segment)

2.0 T5 Flexfuel	Gasolina	FWD	1969	162	220	09.14-	*
T5 (B 4204 T11)	Gasolina	FWD	1969	180	245	10.13-02.17	*
T5 (B 4204 T41)	Gasolina	FWD	1969	180	245	10.13-02.17	*
T5 AWD (B 4204 T11)	Gasolina	4WD	1969	180	245	10.15-02.17	*
T5 AWD (B 4204 T41)	Gasolina	4WD	1969	180	245	10.15-02.17	*
T6 (B 4204 T9)	Gasolina	FWD	1969	225	306	10.13-02.17	*
T6 AWD (B 4204 T9)	Gasolina	4WD	1969	225	306	10.13-12.17	*
2.0 T (B 4204 T6)	Gasolina	FWD	1999	149	203	12.09-12.12	*
T5 (B 4204 T7)	Gasolina	FWD	1999	177	241	09.10-02.17	*
T5 AWD (B 5254 T12)	Gasolina	4WD	2497	183	249	04.14-02.17	*
T5 AWD (B 5254 T12)	Gasolina	4WD	2497	187	254	04.14-02.17	*
T6 AWD (B 6304 T2)	Gasolina	4WD	2953	210	286	05.08-12.10	*
T6 AWD (B 6304 T4)	Gasolina	4WD	2953	224	304	03.10-02.17	*
T6 AWD (B 6304 T3)	Gasolina	4WD	2953	242	329	04.14-12.15	*
T6 AWD (B 6304 T4)	Gasolina	4WD	2953	242	329	04.14-12.15	*
3.2	Gasolina	FWD	3192	175	238	09.09-12.10	*
3.2 AWD (B 6324 S)	Gasolina	4WD	3192	175	238	07.09-12.10	*
3.2 AWD (B 6324 S5)	Gasolina	4WD	3192	179	243	03.10-12.15	*
D3 (D 4204 T4)	Diesel	FWD	1969	110	150	03.15-04.17	*
D4 (D 4204 T5)	Diesel	FWD	1969	133	181	10.13-12.15	*
D4 (D 4204 T14)	Diesel	FWD	1969	140	190	03.15-02.17	*
D3 (D 5204 T7)	Diesel	FWD	1984	100	136	04.12-12.15	*
D3 / D4 (D 5204 T2)	Diesel	FWD	1984	120	163	03.10-12.14	*

# LISTA DE APLICACIONES - BUYERS GUIDE

D3 / D4 (D 5204 T3)	Diesel	FWD	1984	120	163	03.10-12.14	*	
2.4 D / D3 / D4 AWD (D 5244 T16)	Diesel	4WD	2400	120	163	05.08-02.17	*	
2.4 D / D3 / D4 AWD (D 5244 T17)	Diesel	4WD	2400	120	163	05.08-02.17	*	
2.4 D / D3 / D4 AWD (D 5244 T5)	Diesel	4WD	2400	120	163	05.08-02.17	*	
2.4 D (D 5244 T14)	Diesel	FWD	2400	129	175	04.09-12.10	*	
2.4 D AWD	Diesel	4WD	2400	129	175	06.09-12.10	*	
D4 AWD (D 5244 T12)	Diesel	4WD	2400	133	181	10.13-12.15	*	
D5 AWD (D 5244 T4)	Diesel	4WD	2400	136	185	05.08-12.09	*	
D4 AWD (D 5244 T21)	Diesel	4WD	2400	140	190	03.15-02.17	*	
D5 AWD (D 5244 T10)	Diesel	4WD	2400	151	205	07.09-06.11	*	
D5 (D 5244 T11)	Diesel	FWD	2400	158	215	06.11-02.17	*	
D5 (D 5244 T15)	Diesel	FWD	2400	158	215	06.11-02.17	*	
D5 AWD (D 5244 T11)	Diesel	4WD	2400	158	215	04.11-12.15	*	
D5 AWD (D 5244 T15)	Diesel	4WD	2400	158	215	04.11-12.15	*	
D5 AWD (D 5244 T20)	Diesel	4WD	2400	162	220	03.15-02.17	*	
D5 AWD (D 5244 T22)	Diesel	4WD	2400	162	220	03.15-02.17	*	
D5 AWD (D 5244 T23)	Diesel	4WD	2400	169	230	04.14-12.15	*	
<b>XC60 VAN (156) 05.08-12.17</b>					<b>Furgoneta/SUV (Compact SUV-J Segment)</b>			
D3	Diesel	FWD	1984	100	136	09.13-12.15	*	
D4	Diesel	FWD	1984	120	163	09.13-02.17	*	
D4 AWD	Diesel	4WD	2400	120	163	09.13-02.17	*	
D5 AWD	Diesel	4WD	2400	158	215	09.13-02.17	*	
<b>XC90 (275) 06.02-01.15</b>					<b>SUV (Luxury Crossover SUV-J Segment)</b>			
2.5 T AWD (B 5254 T9)	Gasolina	4WD	2497	154	209	10.12-09.14	*	
2.5	Gasolina	FWD	2521	153	208	01.03-12.06	*	
2.5 AWD	Gasolina	4WD	2521	153	208	06.02-12.14	*	
2.5 T AWD (B 5254 T2)	Gasolina	4WD	2521	154	209	10.02-09.14	*	
T6 AWD (B 6294 T)	Gasolina	4WD	2922	200	272	10.02-12.06	*	
3.2 (B 6324 S)	Gasolina	FWD	3192	175	238	09.11-09.14	*	
3.2 AWD (B 6324 S)	Gasolina	4WD	3192	175	238	03.06-12.10	*	
3.2 (B 6324 S5)	Gasolina	FWD	3192	179	243	09.11-09.14	*	
3.2 AWD (B 6324 S5)	Gasolina	4WD	3192	179	243	04.10-09.14	*	
V8 AWD (B 8444 S)	Gasolina	4WD	4414	232	316	01.05-12.10	*	
V8 AWD (B 8444 S)	Gasolina	4WD	4414	235	320	09.04-12.05	*	
D3 / D5 (D 5244 T5)	Diesel	FWD	2400	120	163	04.09-12.14	*	
D5 AWD (D 5244 T5)	Diesel	4WD	2400	120	163	10.07-12.10	*	
D5 AWD (D 5244 T18)	Diesel	4WD	2400	147	200	01.11-12.14	*	
D5 AWD (D 5244 T18)	Diesel	4WD	2400	155	211	11.13-09.14	*	
D5 AWD (D 5244 T)	Diesel	4WD	2401	120	163	10.02-12.06	*	
D5 AWD (D 5244 T4)	Diesel	4WD	2401	136	185	04.05-12.12	*	
<b>XC90 VAN (275) 06.02-01.15</b>					<b>Furgoneta/SUV (Luxury Crossover SUV-J Segment)</b>			
2.4 D5 AWD	Diesel	4WD	2400	147	200	09.13-12.14	*	
2.4 D4	Diesel	FWD	2401	120	163	09.13-12.14	*	