

LISTA DE APLICACIONES - BUYERS GUIDE

RB1919

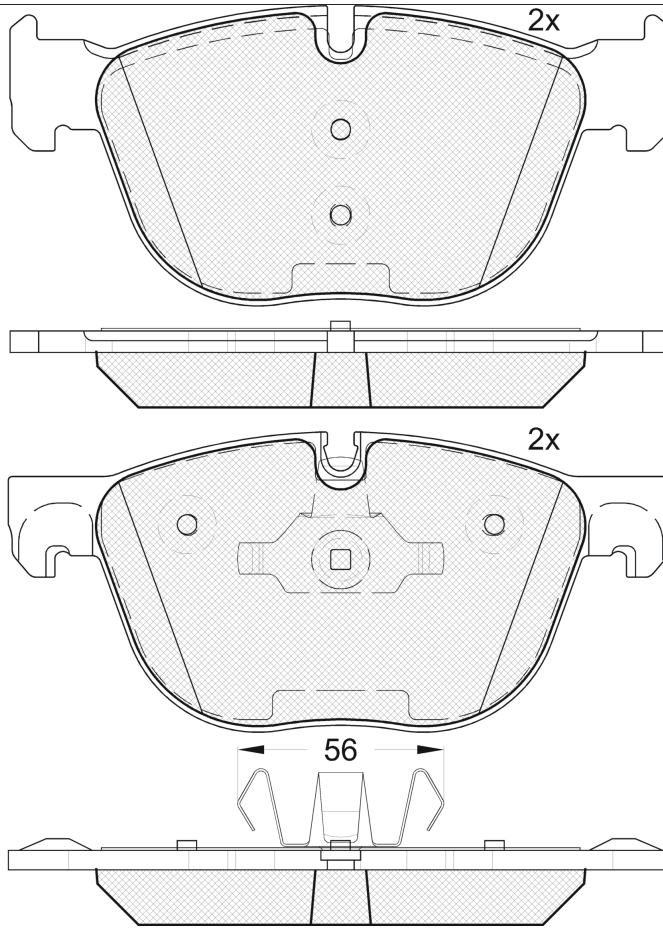


8 424073 136251

Qty: 300

Weight: 2.600

O.E.M.	MAKE
34 11 2 413 038	BMW
34 11 2 413 052	BMW
34 11 2 413 068	BMW
34 11 4 074 370	BMW
34 11 6 778 401	BMW
34 11 6 778 402	BMW
34 11 6 778 403	BMW
34 11 6 779 293	BMW
34 11 6 852 253	BMW
34 11 6 857 096	BMW
34 11 6 877 653	BMW
34118886313	BMW



RB1919

E 9 90R-01111/2229



Ate - Teves

170x77.1x20.3
170.9x77.1x20.3

WVA	FMSI
24170	D1294-8411
24171	

Sin Filas



Trac.	CC	Kw	CV
-------	----	----	----



Front / Rear

BMW

X4 (F26) 05.13-

SUV (Luxury Crossover SUV-J Segment)

Model	Engine	Trac.	CC	Kw	CV	Period	Notes
xDrive20i (N20 B20 A)	Gasolina	4WD	1997	135	184	04.14-03.18	*
xDrive28i (N20 B20 A)	Gasolina	4WD	1997	180	245	04.14-03.18	*
xDrive 35 i (N55 B30 A)	Gasolina	4WD	2979	225	306	04.14-03.18	*
M40 i (N55 B30 A)	Gasolina	4WD	2979	265	360	12.15-03.18	*
xDrive 20 d (B47 D20 A)	Diesel	4WD	1995	120	163	04.14-03.18	*
xDrive 20 d (B47 D20 A)	Diesel	4WD	1995	140	190	04.14-03.18	*
xDrive 35 d (N57 D30 B)	Diesel	4WD	2993	230	313	04.14-03.18	*

X5 II (E70) 02.06-07.13

SUV (Luxury Crossover SUV-J Segment)

Model	Engine	Trac.	CC	Kw	CV	Period	Notes
xDrive 35 i (N55 B30 A)	Gasolina	4WD	2979	225	306	04.10-07.13	*
xDrive 40 i (N55 B30 A)	Gasolina	4WD	2979	225	306	01.12-06.13	*
xDrive 35 i (N55 B30 A)	Gasolina	4WD	2979	235	320	02.12-06.13	*
3.0 Si	Gasolina	FWD	2996	171	230	02.07-09.08	*
xDrive 30 i	Gasolina	4WD	2996	171	230	09.08-12.10	*
xDrive 30 i (N52 B30 A)	Gasolina	4WD	2996	172	234	02.07-12.12	*
3.0 Si (N52 B30 A)	Gasolina	4WD	2996	200	272	10.06-09.08	*
3.0 Si (N52 B30 AF)	Gasolina	4WD	2996	200	272	10.06-09.08	*
3.0 Si (N52 B30 BF)	Gasolina	4WD	2996	200	272	10.06-09.08	*
xDrive 30 i (N52 B30 A)	Gasolina	4WD	2996	200	272	10.08-03.10	*
4.8 i xDrive (N62 B48 B)	Gasolina	4WD	4799	261	355	10.06-09.08	*
xDrive 48 i (N62 B48 B)	Gasolina	4WD	4799	261	355	10.08-03.10	*
3.0 3.0d (M57 D30 (306D3))	Diesel	4WD	2993	155	211	02.07-09.08	*
xDrive 30 d (M57 D30 (306D3))	Diesel	4WD	2993	155	211	10.08-07.13	*

LISTA DE APLICACIONES - BUYERS GUIDE

xDrive 30 d (N57 D30 A)		Diesel	4WD	2993	155	211	10.08-07.13	*
3.0 D (M57 D30 (306D3))		Diesel	4WD	2993	173	235	12.06-09.08	*
xDrive 30 d (M57 D30 (306D3))		Diesel	4WD	2993	173	235	10.08-03.10	*
xDrive 30 d (N57 D30 A)		Diesel	4WD	2993	180	245	04.10-07.13	*
3.0 sd (M57 D30 (306D5))		Diesel	4WD	2993	210	286	10.07-09.08	*
xDrive 35 d (M57 D30 (306D5))		Diesel	4WD	2993	210	286	10.08-07.13	*
xDrive 40 d (N57 D30 B)		Diesel	4WD	2993	225	306	09.10-06.13	*
X5 III (F15, F85) 08.13-07.18					SUV (Luxury Crossover SUV-J Segment)			
xDrive28i (N20 B20 A)		Gasolina	4WD	1997	180	245	06.15-07.18	*
sDrive 35 i (N55 B30 A)		Gasolina	RWD	2979	225	306	08.13-07.18	*
xDrive 35 i (N55 B30 A)		Gasolina	4WD	2979	225	306	12.13-07.18	*
xDrive 35 i (N55 B30 A)		Gasolina	4WD	2979	240	326	12.13-07.18	*
xDrive 40e (N20 B20 A)		Gasol./el éc.	4WD	1997	155	211	08.15-07.18	*
xDrive 40e (N20 B20 A)		Gasol./el éc.	4WD	1997	180	245	08.15-07.18	*
xDrive 40e (N20 B20 A)		Gasol./el éc.	4WD	1997	205	279	08.15-07.18	*
xDrive 40e (N20 B20 A)		Gasol./el éc.	4WD	1997	230	313	08.15-07.18	*
sDrive 25 d (N47 D20 D)		Diesel	RWD	1995	155	211	12.13-07.18	*
xDrive 25 d (N47 D20 D)		Diesel	4WD	1995	155	211	12.13-07.18	*
sDrive 25 d (N47 D20 D)		Diesel	RWD	1995	160	218	12.13-07.15	*
xDrive 25 d (N47 D20 D)		Diesel	4WD	1995	160	218	12.13-07.15	*
sDrive 25 d (B47 D20 B)		Diesel	RWD	1995	170	231	08.15-07.18	*
xDrive 25 d (B47 D20 B)		Diesel	4WD	1995	170	231	08.15-07.18	*
xDrive 25 d (N57 D30 A)		Diesel	4WD	2993	160	218	04.14-07.18	*
xDrive 30 d (N57 D30 A)		Diesel	4WD	2993	183	249	12.13-07.18	*
xDrive 30 d (N57 D30 A)		Diesel	4WD	2993	190	258	08.13-07.18	*
xDrive 30 d (N57 D30 A)		Diesel	4WD	2993	204	277	08.13-07.18	*
xDrive 30 d (N57 D30 A)		Diesel	4WD	2993	210	286	08.13-07.18	*
xDrive 40 d (N57 D30 B)		Diesel	4WD	2993	230	313	12.13-07.18	*
X6 (E71, E72) 06.07-12.15					SUV (Luxury Crossover SUV-J Segment)			
xDrive 35 i (N54 B30 A)		Gasolina	4WD	2979	224	305	01.08-06.14	*
xDrive 35 i (N55 B30 A)		Gasolina	4WD	2979	224	305	01.08-06.14	*
35 i		Gasolina	FWD	2979	225	306	05.08-08.08	*
xDrive 35 i (N54 B30 A)		Gasolina	4WD	2979	225	306	01.08-07.14	*
xDrive 35 i (N55 B30 A)		Gasolina	4WD	2979	225	306	01.08-07.14	*
xDrive 35 i (N55 B30 A)		Gasolina	4WD	2979	235	320	08.12-06.14	*
xDrive 35 i (N54 B30 A)		Gasolina	4WD	2979	240	326	06.07-03.10	*
xDrive 30 d (N57 D30 A)		Diesel	4WD	2993	155	211	04.10-07.14	*
30d		Diesel	RWD	2993	173	235	05.08-08.08	*
xDrive 30 d (M57 D30 (306D3))		Diesel	4WD	2993	173	235	04.08-03.10	*
xDrive 30 d (N57 D30 A)		Diesel	4WD	2993	180	245	04.10-07.14	*
35 d		Diesel	RWD	2993	210	286	05.08-08.08	*
xDrive 35 d (M57 D30 (306D5))		Diesel	4WD	2993	210	286	01.08-03.10	*
xDrive 40 d (N57 D30 B)		Diesel	4WD	2993	225	306	07.09-06.14	*
X6 II (F16, F86) 08.14-					SUV (Luxury Crossover SUV-J Segment)			
sDrive 35 i		Gasolina	FWD	2979	224	305	09.14-	*
xDrive 35 i (N55 B30 A)		Gasolina	4WD	2979	225	306	08.14-07.19	*
xDrive 35 i (N55 B30 A)		Gasolina	4WD	2979	240	326	08.14-07.19	*
xDrive 30 d (N57 D30 A)		Diesel	4WD	2993	155	211	08.14-07.19	*

LISTA DE APLICACIONES - BUYERS GUIDE

xDrive 30 d	Diesel	RWD	2993	160	218	09.16-	*
xDrive 30 d (N57 D30 A)	Diesel	4WD	2993	183	249	12.14-07.19	*
xDrive 30 d (N57 D30 A)	Diesel	4WD	2993	190	258	08.14-07.19	*
xDrive 30 d (N57 D30 A)	Diesel	4WD	2993	204	277	08.14-07.19	*
xDrive 40 d (N57 D30 B)	Diesel	4WD	2993	230	313	12.14-07.19	*