

LISTA DE APLICACIONES - BUYERS GUIDE

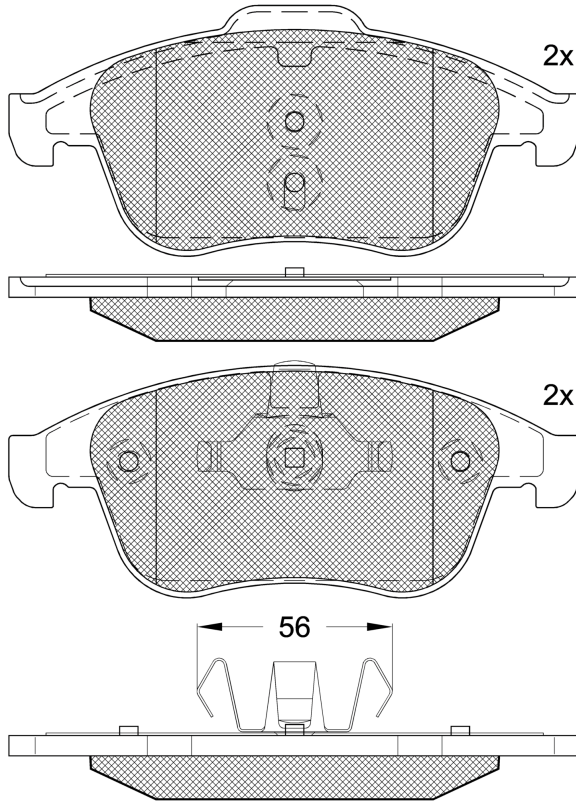
RB1918-208



Qty: 300

Weight: 1.895

O.E.M.	MAKE
44 06 006 29R	RENAULT



RB1918-208

E 9 90R-02A0111/2595



Ate - Teves

155x63.08x18
155.1x68.08x18

WVA
24826
24710

Sin Filas



Trac.	CC	Kw	CV
-------	----	----	----



Front / Rear

RENAULT

GRAND SCÉNIC III (JZ0/1_) 02.09-

MPV (Compact MPV-M1 Segment)

2.0 dCi (JZ0Y, JZ26) (M9R 615)	Diesel	FWD	1995	110	150	02.09-09.16	*
2.0 dCi (JZ0L) (M9R 610)	Diesel	FWD	1995	118	160	04.09-09.16	*