

LISTA DE APLICACIONES - BUYERS GUIDE

RB1915

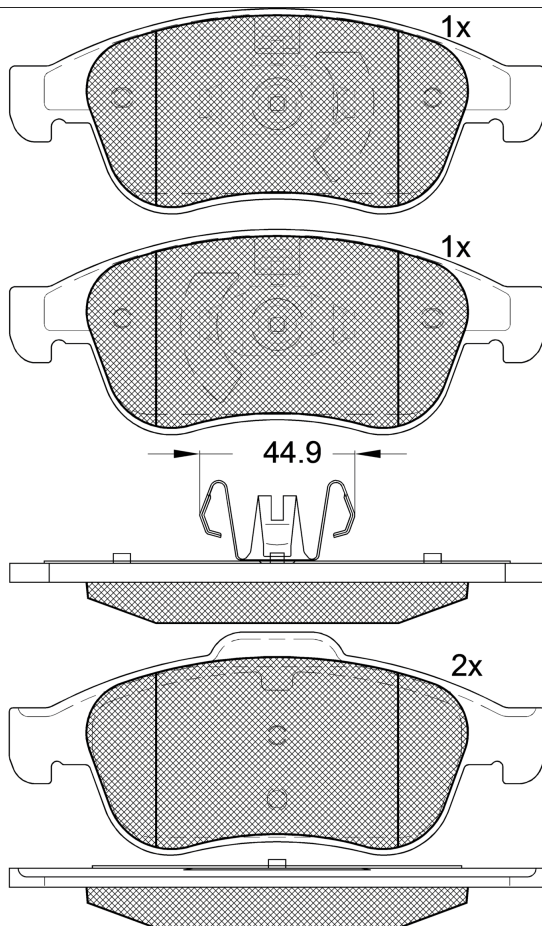


8 424073 136213

Qty: 300

Weight: 1.773

O.E.M.	MAKE
41 06 003 79R	DACIA
41 06 013 06R	RENAULT
41 06 031 72R	RENAULT
41 06 059 61R	RENAULT
41 06 071 15R	DACIA
41 06 083 64R	RENAULT
41 0A 125 82R	RENAULT
41060-00Q1B	NISSAN
41060-00Q1C	NISSAN
41060-00Q1L	NISSAN
410609896R	DACIA
410A1-00QAA	NISSAN
44 06 039 05R	DACIA
44 06 071 15R	RENAULT
86 60 000 781	DACIA
86 60 004 545	DACIA
D1060-00Q1BRV	NISSAN
exceltecdoc	RENAULT



RB1915



90R-01111/2619



Ate - Teves

155.15x59.46x18

155.2x64.57x18

WVA	FMSI
22073	D1627-8844
22074	
24538	
24914	

Sin Filas



Trac.	CC	Kw	CV
-------	----	----	----



Front / Rear

DACIA

								Pick-up ()
09.17-								
1.2 TCe 115	Gasolina	FWD	1197	85	115	09.17-12.21	*	
1.6 SCe 100	Gasolina	FWD	1598	75	102	09.17-12.21	*	
1.5 dCi 75	Diesel	FWD	1461	55	75	09.17-12.21	*	
1.5 dCi 90	Diesel	FWD	1461	66	90	09.17-12.21	*	

DOKKER (KE_) 11.12-

MPV ()

1.2 TCe (KEM0, KEAY) (H5F 402)	Gasolina	FWD	1197	85	115	11.12-12.21	*
1.2 TCe (KEM0, KEAY) (H5F 408)	Gasolina	FWD	1197	85	115	11.12-12.21	*
1.3 TCe 100 (KENU) (H5H 470)	Gasolina	FWD	1332	75	102	08.19-12.21	*
1.3 TCe 130 (KENE) (H5H 470)	Gasolina	FWD	1332	96	131	03.19-12.21	*
1.6 (K7M 812)	Gasolina	FWD	1598	61	83	11.12-12.15	*
1.6 (K7M 828)	Gasolina	FWD	1598	61	83	11.12-12.15	*
1.6 (H4M 738)	Gasolina	FWD	1598	75	102	04.15-12.21	*
1.6 LPG (K7M 812)	Gasol./Gas (LPG)	FWD	1598	61	83	11.13-12.15	*
1.6 LPG (K7M 828)	Gasol./Gas (LPG)	FWD	1598	61	83	11.13-12.15	*
1.6 LPG	Gasol./Gas (LPG)	FWD	1598	75	102	04.15-12.21	*
1.6 LPG (H4M 740)	Gasol./Gas (LPG)	FWD	1598	80	109	08.18-12.21	*
1.5 dCi / Blue dCi 75 (KEAJ, KEAH, KEJW) (K9K 612)	Diesel	FWD	1461	55	75	11.12-12.21	*
1.5 dCi / Blue dCi 75 (KEAJ, KEAH, KEJW) (K9K 626)	Diesel	FWD	1461	55	75	11.12-12.21	*
1.5 dCi / Blue dCi 75 (KEAJ, KEAH, KEJW) (K9K 872)	Diesel	FWD	1461	55	75	11.12-12.21	*
1.5 dCi (KEMW) (K9K 612)	Diesel	FWD	1461	63	85	11.12-12.21	*

LISTA DE APLICACIONES - BUYERS GUIDE

1.5 dCi (KEMW) (K9K 830)		Diesel	FWD	1461	63	85	11.12-12.21	*
1.5 dCi (KEAJ, KEAH) (K9K 612)		Diesel	FWD	1461	66	90	11.12-12.21	*
1.5 dCi (KEAJ, KEAH) (K9K 626)		Diesel	FWD	1461	66	90	11.12-12.21	*
1.5 Blue dCi 95 (KEJL) (K9K 872)		Diesel	FWD	1461	70	95	12.18-12.21	*
DOKKER 07.18-				Pick-up (LCVs-N1 Segment)				
1.6		Gasolina	FWD	1598	75	102	07.18-	*
DOKKER Express 11.12-				Furgoneta/MPV (LCVs-N1 Segment)				
1.2 TCe 115 (FEAY) (H5F 408)		Gasolina	FWD	1197	85	116	07.15-12.21	*
1.2 TCe 115 (FEM0) (H5F 402)		Gasolina	FWD	1198	84	114	12.12-12.15	*
1.3 TCe 100 (FENU) (H5H 470)		Gasolina	FWD	1332	75	102	08.19-12.21	*
1.3 TCe 130 (FENE) (H5H 470)		Gasolina	FWD	1332	96	131	08.19-12.21	*
1.6 (K7M 812)		Gasolina	FWD	1598	61	83	12.12-12.15	*
1.6 (K7M 828)		Gasolina	FWD	1598	61	83	12.12-12.15	*
1.6		Gasolina	FWD	1598	75	102	04.15-12.21	*
1.6 LPG (K7M 812)		Gasol./Gas (LPG)	FWD	1598	61	83	11.13-12.15	*
1.6 LPG (K7M 828)		Gasol./Gas (LPG)	FWD	1598	61	83	11.13-12.15	*
1.6 LPG (H4M 740)		Gasol./Gas (LPG)	FWD	1598	75	102	04.15-12.21	*
1.6 LPG (FENB) (H4M 740)		Gasol./Gas (LPG)	FWD	1598	80	109	08.18-12.21	*
1.5 dCi 75 / Blue dCi 75 (FEJW, FEAH) (K9K 612)		Diesel	FWD	1461	55	75	12.12-12.21	*
1.5 dCi 75 / Blue dCi 75 (FEJW, FEAH) (K9K 626)		Diesel	FWD	1461	55	75	12.12-12.21	*
1.5 dCi 75 / Blue dCi 75 (FEJW, FEAH) (K9K 872)		Diesel	FWD	1461	55	75	12.12-12.21	*
1.5 dCi (K9K 838)		Diesel	FWD	1461	62	84	11.12-12.21	*
1.5 dCi (FEMW) (K9K 612)		Diesel	FWD	1461	63	85	12.12-12.21	*
1.5 dCi (FEMW) (K9K 830)		Diesel	FWD	1461	63	85	12.12-12.21	*
1.5 dCi (FEAJ) (K9K 612)		Diesel	FWD	1461	66	90	12.12-12.21	*
1.5 dCi (FEAJ) (K9K 626)		Diesel	FWD	1461	66	90	12.12-12.21	*
1.5 Blue dCi 95 (FEJL) (K9K 872)		Diesel	FWD	1461	70	95	06.19-12.21	*
DUSTER (HS_) 04.11-				Furgoneta/SUV (Compact SUV-J Segment)				
1.2 TCe 125 4x4 (HSAU) (H5F 404)		Gasolina	4WD	1197	92	125	10.13-	*
1.6 16V		Gasolina	FWD	1598	77	105	04.11-	*
1.6 16V 4x4 (K4M 606)		Gasolina	4WD	1598	77	105	04.11-	*
1.6 SCe 115 4x4		Gasolina	4WD	1598	84	115	06.15-01.18	*
1.6 16V Hi-Flex (K4M 696)		Gasol./Etanol	FWD	1598	77	105	04.11-	*
1.5 dCi (K9K 884)		Diesel	FWD	1461	66	90	04.11-	*
1.5 dCi (K9K 892)		Diesel	FWD	1461	66	90	04.11-	*
1.5 dCi 4x4 (K9K 884)		Diesel	4WD	1461	66	90	04.11-	*
1.5 dCi 4x4 (K9K 892)		Diesel	4WD	1461	66	90	04.11-	*
1.5 dCi (K9K 666)		Diesel	FWD	1461	80	109	04.13-	*
1.5 dCi (K9K 856)		Diesel	FWD	1461	80	109	04.13-	*
1.5 dCi 4x4 (K9K 658)		Diesel	4WD	1461	80	109	04.13-	*
1.5 dCi 4x4 (K9K 858)		Diesel	4WD	1461	80	109	04.13-	*
DUSTER (HS_) 04.10-				SUV (Compact SUV-J Segment)				
1.2 TCe 125 (H5F 404)		Gasolina	FWD	1197	92	125	10.13-01.18	*
1.2 TCe 125 (H5F 408)		Gasolina	FWD	1197	92	125	10.13-01.18	*
1.2 TCe 125 4x4 (H5F 410)		Gasolina	4WD	1197	92	125	06.15-01.18	*
1.6 16V (K4M 690)		Gasolina	FWD	1598	77	105	04.10-01.18	*
1.6 16V (K4M 696)		Gasolina	FWD	1598	77	105	04.10-01.18	*

LISTA DE APLICACIONES - BUYERS GUIDE

1.6 16V 4x4 (K4M 606)		Gasolina	4WD	1598	77	105	06.10-01.18	*	
1.6 SCe 115 4x4 (H4M 430)		Gasolina	4WD	1598	84	115	06.15-01.18	*	
1.6 SCe 115 4x4 (H4M 730)		Gasolina	4WD	1598	84	115	06.15-01.18	*	
1.6 SCe 115 4x4 (H4M 738)		Gasolina	4WD	1598	84	115	06.15-01.18	*	
1.6 16V LPG (K4M 616)		Gasol./Gas (LPG)	FWD	1598	77	105	04.11-01.18	*	
1.6 16V LPG (K4M 642)		Gasol./Gas (LPG)	FWD	1598	77	105	04.11-01.18	*	
1.6 16V Hi-Flex (K4M 696)		Gasol./Etanol	FWD	1598	77	105	08.10-01.18	*	
1.5 dCi (K9K 796)		Diesel	FWD	1461	63	86	04.10-01.18	*	
1.5 dCi (K9K 830)		Diesel	FWD	1461	63	86	04.10-01.18	*	
1.5 dCi (HSAJ) (K9K 612)		Diesel	FWD	1461	66	90	10.10-01.18	*	
1.5 dCi (HSAJ) (K9K 884)		Diesel	FWD	1461	66	90	10.10-01.18	*	
1.5 dCi (HSAJ) (K9K 892)		Diesel	FWD	1461	66	90	10.10-01.18	*	
1.5 dCi 4x4 (K9K 884)		Diesel	4WD	1461	66	90	10.10-01.18	*	
1.5 dCi 4x4 (K9K 894)		Diesel	4WD	1461	66	90	10.10-01.18	*	
1.5 dCi (HSMC) (K9K 896)		Diesel	FWD	1461	79	107	06.10-01.18	*	
1.5 dCi 4x4		Diesel	4WD	1461	79	107	06.10-	*	
1.5 dCi (K9K 658)		Diesel	FWD	1461	80	109	08.13-01.18	*	
1.5 dCi (K9K 666)		Diesel	FWD	1461	80	109	08.13-01.18	*	
1.5 dCi (K9K 667)		Diesel	FWD	1461	80	109	08.13-01.18	*	
1.5 dCi (K9K 856)		Diesel	FWD	1461	80	109	08.13-01.18	*	
1.5 dCi (K9K 858)		Diesel	FWD	1461	80	109	08.13-01.18	*	
1.5 dCi 4x4 (K9K 658)		Diesel	4WD	1461	80	109	08.13-01.18	*	
1.5 dCi 4x4 (K9K 856)		Diesel	4WD	1461	80	109	08.13-01.18	*	
1.5 dCi 4x4 (K9K 858)		Diesel	4WD	1461	80	109	08.13-01.18	*	
1.5 dCi 4x4 (K9K 898)		Diesel	4WD	1461	80	109	08.13-01.18	*	
1.5 dCi (HSMD, HSM3) (K9K 658)		Diesel	FWD	1461	81	110	08.13-01.18	*	
1.5 dCi (HSMD, HSM3) (K9K 856)		Diesel	FWD	1461	81	110	08.13-01.18	*	
1.5 dCi (HSMD, HSM3) (K9K 858)		Diesel	FWD	1461	81	110	08.13-01.18	*	
1.5 dCi (HSMD, HSM3) (K9K 898)		Diesel	FWD	1461	81	110	08.13-01.18	*	
1.5 dCi 4x4 (HSMC, HSMD) (K9K 856)		Diesel	4WD	1461	81	110	10.10-01.18	*	
1.5 dCi 4x4 (HSMC, HSMD) (K9K 858)		Diesel	4WD	1461	81	110	10.10-01.18	*	
1.5 dCi 4x4 (HSMC, HSMD) (K9K 898)		Diesel	4WD	1461	81	110	10.10-01.18	*	
DUSTER II (HM_) 10.17-							SUV (Compact SUV-J Segment)		
1.0 TCe 90 (HMM6)		Gasolina	FWD	999	67	91	05.21-	*	
1.0 TCe 100 (HMMT) (H4D 450)		Gasolina	FWD	999	74	101	01.19-	*	
1.0 TCe 100 (HMMT) (H4D 460)		Gasolina	FWD	999	74	101	01.19-	*	
1.0 TCe 100 4x4 (HMMT) (H4D 450)		Gasolina	4WD	999	74	101	01.19-	*	
1.0 TCe 100 4x4 (HMMT) (H4D 460)		Gasolina	4WD	999	74	101	01.19-	*	
1.2 TCe 125 (HMMA) (H5F 408)		Gasolina	FWD	1197	92	125	10.17-	*	
1.2 TCe 125 4x4 (HMMA) (H5F 410)		Gasolina	4WD	1197	92	125	10.17-	*	
1.3 TCe 130 (HMMF) (H5H 470)		Gasolina	FWD	1332	96	131	01.19-	*	
1.3 TCe 130 (HMMF) (H5H 480)		Gasolina	FWD	1332	96	131	01.19-	*	
1.3 TCe 130 4x4 (HMMF) (H5H 470)		Gasolina	4WD	1332	96	131	01.19-	*	
1.3 TCe 130 4x4 (HMMF) (H5H 480)		Gasolina	4WD	1332	96	131	01.19-	*	
1.3 TCe 150 (HMM3) (H5H 470)		Gasolina	FWD	1332	110	150	01.19-	*	
1.3 TCe 150 (HMM3) (H5H 480)		Gasolina	FWD	1332	110	150	01.19-	*	
1.3 TCe 150 4x4 (HMM3) (H5H 470)		Gasolina	4WD	1332	110	150	01.19-	*	
1.3 TCe 150 4x4 (HMM3) (H5H 480)		Gasolina	4WD	1332	110	150	01.19-	*	
1.6 SCe 115 (HMM1) (H4M 738)		Gasolina	FWD	1598	84	115	10.17-	*	
1.6 SCe 115 4x4 (HMM1)		Gasolina	4WD	1598	84	115	10.17-	*	

LISTA DE APLICACIONES - BUYERS GUIDE

1.0 TCe LPG (HMM6, HMMT)		Gasol./Gas (LPG)	FWD	999	67	91	06.21-	*
1.0 LPG (HMMT)		Gasol./Gas (LPG)	FWD	999	74	101	01.19-	*
1.6 SCe 115 LPG (HMM1) (H4M 740)		Gasol./Gas (LPG)	FWD	1598	80	109	10.17-	*
1.5 dCi 90 (HMAA) (K9K 656)		Diesel	FWD	1461	66	90	10.17-	*
1.5 dCi 95 (HMAF)		Diesel	FWD	1461	70	95	10.17-	*
1.5 dCi 110 (HMAB) (K9K 656)		Diesel	FWD	1461	80	109	10.17-	*
1.5 dCi 110 (HMAB) (K9K 667)		Diesel	FWD	1461	80	109	10.17-	*
1.5 dCi 110 4x4 (HMAB) (K9K 658)		Diesel	4WD	1461	80	109	10.17-	*
1.5 dCi 115 4x4		Diesel	4WD	1461	84	114	01.22-	*
1.5 dCi 115 (HMAD) (K9K 872)		Diesel	FWD	1461	85	116	10.17-	*
1.5 dCi 115 (HMAD) (K9K 874)		Diesel	FWD	1461	85	116	10.17-	*
1.5 dCi 115 4x4 (HMAD) (K9K 872)		Diesel	4WD	1461	85	116	10.17-	*
1.5 dCi 115 4x4 (HMAD) (K9K 874)		Diesel	4WD	1461	85	116	10.17-	*
JOGGER (RK_) 09.21-					MPV (Compact MPV-M1 Segment)			
1.0 TCe 110 (RKMD)		Gasolina	FWD	999	81	110	09.21-	*
1.0 TCe 90 ECO-G (RKMT)		Gasol./Gas (LPG)	FWD	999	67	91	09.21-	*
1.0 TCe 100 ECO-G (RKMT)		Gasol./Gas (LPG)	FWD	999	74	101	09.21-	*
LODGY (JS_) 03.12-					MPV (Compact MPV-M1 Segment)			
1.2 TCe (JSAY, JSM0) (H5F 402)		Gasolina	FWD	1197	85	115	03.12-	*
1.2 TCe (JSAY, JSM0) (H5F 408)		Gasolina	FWD	1197	85	115	03.12-	*
1.3 TCe 100 (JSNU) (H5H 470)		Gasolina	FWD	1332	75	102	01.19-	*
1.3 TCe 130 (JSNE) (H5H 470)		Gasolina	FWD	1332	96	131	01.19-	*
1.6 LPG (K7M 812)		Gasol./Gas (LPG)	FWD	1598	61	83	11.13-	*
1.6 LPG (K7M 828)		Gasol./Gas (LPG)	FWD	1598	61	83	11.13-	*
1.6 LPG (JSAV)		Gasol./Gas (LPG)	FWD	1598	75	102	04.15-	*
1.5 dCi (JSMW) (K9K 612)		Diesel	FWD	1461	63	85	11.12-	*
1.5 dCi (JSMW) (K9K 830)		Diesel	FWD	1461	63	85	11.12-	*
1.5 dCi (K9K 612)		Diesel	FWD	1461	66	90	03.12-	*
1.5 dCi (K9K 626)		Diesel	FWD	1461	66	90	03.12-	*
1.5 Blue dCi 95 (JSJL, JSN7) (K9K 872)		Diesel	FWD	1461	70	95	08.18-	*
1.5 dCi (JSMC, JSAF) (K9K 846)		Diesel	FWD	1461	79	107	01.13-	*
1.5 dCi (K9K 666)		Diesel	FWD	1461	80	109	06.15-	*
1.5 dCi (K9K 846)		Diesel	FWD	1461	80	109	06.15-	*
1.5 dCi (K9K 666)		Diesel	FWD	1461	81	110	03.12-	*
1.5 dCi (K9K 846)		Diesel	FWD	1461	81	110	03.12-	*
1.5 Blue dCi 115 (JSJT, JSNR) (K9K 872)		Diesel	FWD	1461	85	116	08.18-	*
SANDERO II (B8_) 10.12-					[CAMBIADO]:Fastback (Compact car-C Segment)			
1.0 TCE 90 GPF		Gasolina	FWD	999	67	91	01.21-	*
SANDERO III (BJI) 01.21-					[CAMBIADO]:Fastback (Compact car-C Segment)			
1.0 TCe 90		Gasolina	FWD	999	67	91	01.21-	*
1.0 TCe 100		Gasolina	FWD	999	74	101	01.21-	*
1.0 TCe LPG		Gasol./Gas (LPG)	FWD	999	67	91	01.21-	*
1.0 TCe 100 ECO-G		Gasol./Gas (LPG)	FWD	999	74	101	01.21-	*

NISSAN

LISTA DE APLICACIONES - BUYERS GUIDE

JUKE II (F16_) 08.19-					SUV (Mini SUV-J Segment)			
1.0		Gasolina	FWD	999	84	114	08.19-	*
DIG-T 117 (HR10DDT)		Gasolina	FWD	999	86	117	08.19-	*
1.6 Hybrid		Gasol./el éc.	FWD	1598	105	143	08.19-	*
PATHFINDER IV / TERRANO (R52) 09.12-					SUV (Executive SUV-J Segment)			
3.5 (VQ35DE)		Gasolina	FWD	3498	190	258	10.13-	*
3.5 4WD		Gasolina	4WD	3498	190	258	10.13-	*
2.5 Hybrid		Gasol./el éc.	FWD	2488	188	256	10.13-	*
2.5 Hybrid 4WD (QR25DER)		Gasol./el éc.	4WD	2488	188	256	10.13-	*
2.5 dCi 4WD		Diesel	4WD	2488	140	190	09.12-	*
3.0 dCi 4WD		Diesel	4WD	2993	170	231	09.12-	*
TERRANO IV / PATHFINDER (D10) 08.13-					SUV (Compact SUV-J Segment)			
1.6		Gasolina	FWD	1598	75	102	03.14-	*
1.6 4x4		Gasolina	4WD	1598	75	102	03.14-	*
1.6		Gasolina	FWD	1598	76	103	03.14-	*
1.6		Gasolina	FWD	1598	84	114	12.15-	*
1.6 4x4		Gasolina	4WD	1598	84	114	12.15-	*
2.0		Gasolina	FWD	1998	98	133	03.14-	*
2.0 4x4		Gasolina	4WD	1998	98	133	03.14-	*
2.0 4x4		Gasolina	4WD	1998	105	143	12.15-	*
1.5 dCi		Diesel	RWD	1461	62	85	10.13-	*
1.5 dCi		Diesel	RWD	1461	81	110	10.13-	*
TOWNSTAR (XFK) 12.21-					Furgoneta/MPV (LCVs-N1 Segment)			
1.3		Gasolina	FWD	1332	96	131	12.21-	*
Electric		Eléctrico	FWD		90	122	03.22-	*
TOWNSTAR (XFK) 12.21-					MPV (LCVs-N1 Segment)			
Electric		Eléctrico	FWD		90	122	09.22-	*
TOWNSTAR EVALIA (XFK) 05.24-					MPV (LCVs-N1 Segment)			
Electric		Eléctrico	FWD		90	122	05.24-	*
RENAULT								
ARKANA (LCM_, LDN_) 08.19-					SUV (Compact SUV-J Segment)			
1.3 TCe 150 (LCM3)		Gasolina	FWD	1332	110	150	08.19-	*
1.3 TCe 150 4x4 (LCM3)		Gasolina	4WD	1332	110	150	08.19-	*
1.6 (LCM1)		Gasolina	FWD	1598	84	114	08.19-	*
1.6 4x4 (LCM1)		Gasolina	4WD	1598	84	114	08.19-	*
1.3 TCe 140 (LDN0)		Gasol./el éc.	FWD	1332	103	140	09.20-	*
1.3 TCe 160 (LDN1)		Gasol./el éc.	FWD	1332	116	158	03.21-	*
1.6 E-TECH 145 (LDMU)		Gasol./el éc.	FWD	1598	69	94	09.20-	*
1.6 E-TECH 145 (LDMU)		Gasol./el éc.	FWD	1598	105	143	03.21-	*
CAPTUR (J5_, H5_) 06.13-					[CAMBIADO]:Fastback (Mini SUV-J Segment)			
1.2 T (H5F 403)		Gasolina	FWD	1197	83	113	06.13-08.18	*
1.2 T (H5F 403)		Gasolina	FWD	1197	85	116	06.15-08.18	*
1.2 TCe 120 (H5F 408)		Gasolina	FWD	1197	87	118	01.16-08.18	*
1.2 TCe 120 (H5F 412)		Gasolina	FWD	1197	87	118	01.16-08.18	*
1.2 TCe 120 (H5F 403)		Gasolina	FWD	1197	88	120	06.13-12.18	*

LISTA DE APLICACIONES - BUYERS GUIDE

1.2 TCe (J5AU) (H5F 408)		Gasolina	FWD	1197	97	132	02.18-12.18	*	
1.3 TCe 130 (J5NJ, J5NE) (H5H 450)		Gasolina	FWD	1332	96	131	03.18-12.19	*	
1.3 TCe 150 (J5NK, J5JS) (H5H 450)		Gasolina	FWD	1332	110	150	03.18-12.19	*	
1.6 (J5JA, J5JY, H5JA) (H4M 750)		Gasolina	FWD	1598	84	114	02.18-06.23	*	
1.5 dCi (J5MW) (K9K 830)		Diesel	FWD	1461	63	86	06.13-06.19	*	
1.5 dCi 90 (J5N4, J5M5, J5MW, J5M6, J5AL, J5AJ) (K9K 608)		Diesel	FWD	1461	66	90	06.13-06.19	*	
1.5 dCi 90 (J5N4, J5M5, J5MW, J5M6, J5AL, J5AJ) (K9K 609)		Diesel	FWD	1461	66	90	06.13-06.19	*	
1.5 dCi 90 (J5N4, J5M5, J5MW, J5M6, J5AL, J5AJ) (K9K 628)		Diesel	FWD	1461	66	90	06.13-06.19	*	
1.5 dCi 90 (J5N4, J5M5, J5MW, J5M6, J5AL, J5AJ) (K9K 629)		Diesel	FWD	1461	66	90	06.13-06.19	*	
1.5 dCi 90 (J5N4, J5M5, J5MW, J5M6, J5AL, J5AJ) (K9K 838)		Diesel	FWD	1461	66	90	06.13-06.19	*	
1.5 dCi 110 (K9K 646)		Diesel	FWD	1461	81	110	01.15-09.18	*	
1.5 dCi 110 (K9K 856)		Diesel	FWD	1461	81	110	01.15-09.18	*	
CAPTUR II 01.20-							[CAMBIADO]:Fastback (Mini SUV-J Segment)		
TCe 90 (HFM6)		Gasolina	FWD	999	67	91	09.20-	*	
TCe 100 (HFMT) (H4D 450)		Gasolina	FWD	999	74	101	01.20-	*	
TCe 130 (HFMF) (H5H 470)		Gasolina	FWD	1332	96	131	01.20-	*	
TCe 155 (HFMN) (H5H 470)		Gasolina	FWD	1332	113	154	01.20-	*	
1.0 TCe LPG (HFM6)		Gasol./Gas (LPG)	FWD	999	67	91	01.21-	*	
LPG (HFMT) (H4D 450)		Gasol./Gas (LPG)	FWD	999	74	101	01.20-	*	
TCe 140 (HFN0)		Gasol./el éc.	FWD	1332	103	140	09.20-	*	
TCe 160 (HFN1)		Gasol./el éc.	FWD	1332	116	158	09.20-	*	
Blue dCi 95 (HFAF) (K9K 872)		Diesel	FWD	1461	70	95	01.20-	*	
Blue dCi 115 (HFAD) (K9K 872)		Diesel	FWD	1461	85	116	01.20-	*	
Blue dCi 115 (HFAD) (K9K 873)		Diesel	FWD	1461	85	116	01.20-	*	
CLIO V (B7_) 06.19-							[CAMBIADO]:Fastback (Supermini car-B Segment)		
1.0 SCe 65 (B7MR) (B4D 409)		Gasolina	FWD	999	48	65	11.19-	*	
1.0 SCe 75 (B7M5) (B4D 409)		Gasolina	FWD	999	53	72	06.19-	*	
1.0 TCe 90 (B7MT)		Gasolina	FWD	999	67	91	08.20-	*	
1.0 TCe 100 (B7MT) (H4D 450)		Gasolina	FWD	999	74	101	06.19-	*	
1.0 TCe 100 (B7MT) (H4D 452)		Gasolina	FWD	999	74	101	06.19-	*	
1.0 TCe 100 (B7MT) (H4D 460)		Gasolina	FWD	999	74	101	06.19-	*	
1.0 TCe 100 (B7MT) (H4D 472)		Gasolina	FWD	999	74	101	06.19-	*	
1.3 TCe 130 (B7MF) (H5H 450)		Gasolina	FWD	1332	96	131	06.19-	*	
1.3 TCe 130 (B7MF) (H5H 470)		Gasolina	FWD	1332	96	131	06.19-	*	
1.3 TCe 140 (B7N0)		Gasolina	FWD	1332	103	140	09.20-	*	
1.0 LPG (B7MT)		Gasol./Gas (LPG)	FWD	999	67	91	11.21-	*	
1.0 LPG (B7MT) (H4D 450)		Gasol./Gas (LPG)	FWD	999	74	101	06.19-	*	
1.0 LPG (B7MT) (H4D 452)		Gasol./Gas (LPG)	FWD	999	74	101	06.19-	*	
1.0 LPG (B7MT) (H4D 460)		Gasol./Gas (LPG)	FWD	999	74	101	06.19-	*	
1.0 LPG (B7MT) (H4D 472)		Gasol./Gas (LPG)	FWD	999	74	101	06.19-	*	
1.6 E-TECH 145 (B7MU)		Gasol./el éc.	FWD	1598	69	94	01.22-	*	
1.6 E-TECH 140 (B7MU) (H4M 630)		Gasol./el éc.	FWD	1598	103	140	03.20-	*	
1.6 E-TECH 145 (B7MU)		Gasol./el éc.	FWD	1598	105	143	01.22-	*	

LISTA DE APLICACIONES - BUYERS GUIDE

1.5 Blue dCi 85 (B7AG) (K9K 854)		Diesel	FWD	1461	63	86	06.19-	*
1.5 Blue dCi 85 (B7AG) (K9K 872)		Diesel	FWD	1461	63	86	06.19-	*
1.5 Blue dCi 115 (B7AD) (K9K 854)		Diesel	FWD	1461	85	116	06.19-	*
1.5 Blue dCi 115 (B7AD) (K9K 862)		Diesel	FWD	1461	85	116	06.19-	*
1.5 Blue dCi 115 (B7AD) (K9K 872)		Diesel	FWD	1461	85	116	06.19-	*
DOKKER 12.13-				[CAMBIADO]:Furgón (LCVs-N1 Segment)				
1.6 (K7M 812)		Gasolina	FWD	1598	62	84	12.13-12.21	*
1.5 dCi (K9K 612)		Diesel	FWD	1461	66	90	12.13-	*
DUSTER (H79_U.S.A.) 09.12-				Closed SUV (Compact SUV-J Segment)				
2.0		Gasolina	FWD	1998	99	135	09.12-	*
DUSTER (HS_) 01.11-				SUV (Compact SUV-J Segment)				
1.6 16V (HSAT) (K4M 616)		Gasolina	FWD	1598	75	102	06.11-05.15	*
1.6 16V 4x4 (K4M 490)		Gasolina	4WD	1598	75	102	06.11-05.15	*
1.6 16V 4x4 (K4M 606)		Gasolina	4WD	1598	75	102	06.11-05.15	*
1.6 16V 4x4 (K4M 646)		Gasolina	4WD	1598	75	102	06.11-05.15	*
1.6 16V 4x4 (K4M 690)		Gasolina	4WD	1598	75	102	06.11-05.15	*
1.6 16V		Gasolina	FWD	1598	76	104	02.12-12.16	*
1.6 16V 4x4 (H4M 430)		Gasolina	4WD	1598	84	114	06.15-01.18	*
2.0 (F4R 403)		Gasolina	FWD	1998	98	133	02.12-01.18	*
2.0 (F4R 405)		Gasolina	FWD	1998	98	133	02.12-01.18	*
2.0 4x4 (F4R)		Gasolina	4WD	1998	99	135	02.12-01.18	*
2.0		Gasolina	FWD	1998	101	137	01.11-	*
2.0 4x4 (HSAB, HSA3, HSAJ, HSMS)		Gasolina	4WD	1998	101	137	01.11-01.18	*
2.0		Gasolina	FWD	1998	102	138	10.11-	*
2.0 Flex		Gasolina	FWD	1998	104	141	01.11-	*
2.0 Hi-Flex		Gasolina	FWD	1998	104	141	01.11-	*
2.0 (F4R 402)		Gasolina	FWD	1998	105	142	10.11-01.18	*
2.0 (F4R 403)		Gasolina	FWD	1998	105	142	10.11-01.18	*
2.0 4x4 (F4R 402)		Gasolina	4WD	1998	105	142	10.11-01.18	*
2.0 4x4 (F4R 403)		Gasolina	4WD	1998	105	142	10.11-01.18	*
2.0 Flex		Gasolina	FWD	1998	105	142	10.11-	*
2.0 Flex		Gasolina	FWD	1998	109	148	01.16-	*
2.0 Flex		Gasolina	FWD	1998	109	148	01.16-	*
1.5 dCi		Diesel	FWD	1461	63	85	06.11-01.18	*
1.5 dCi		Diesel	FWD	1461	66	90	06.11-	*
1.5 dCi 4x4 (K9K 884)		Diesel	4WD	1461	66	90	06.11-01.18	*
1.5 dCi 4x4 (HSMD) (K9K 856)		Diesel	4WD	1461	80	109	09.13-01.18	*
1.5 dCi 4x4 (HSMD) (K9K 858)		Diesel	4WD	1461	80	109	09.13-01.18	*
1.5 dCi		Diesel	RWD	1461	81	110	02.12-	*
DUSTER II (HM_) 10.17-				SUV (Compact SUV-J Segment)				
1.3 TCe 150 4x4 (HMM3, HMMC)		Gasolina	4WD	1332	110	150	11.21-07.24	*
1.6 SCe 115 (HMM1)		Gasolina	FWD	1598	84	114	01.18-07.24	*
1.6 SCe 115 4x4 (HMM1)		Gasolina	4WD	1598	84	114	07.19-07.24	*
2.0 4x4 (HMMS)		Gasolina	4WD	1998	105	143	11.21-07.24	*
1.5 dCi 110 (HMAB) (K9K 656)		Diesel	FWD	1461	80	109	01.18-07.24	*
1.5 dCi 110 (HMAB) (K9K 657)		Diesel	FWD	1461	80	109	01.18-07.24	*
1.5 dCi 110 4x4 (HMAB) (K9K 658)		Diesel	4WD	1461	80	109	01.18-07.24	*
EXPRESS 05.21-				Furgoneta/MPV (LCVs-N1 Segment)				
1.3 TCe 100 (F6MA)		Gasolina	FWD	1332	75	102	05.21-	*

LISTA DE APLICACIONES - BUYERS GUIDE

1.6 SCe 110 (F6MB)		Gasolina	FWD	1598	82	110	05.21-	*
1.5 Blue dCi 75 (F6AA)		Diesel	FWD	1461	55	75	05.21-	*
1.5 Blue dCi 95 (F6AB)		Diesel	FWD	1461	70	95	05.21-	*
1.5 dCi 95 (F6AB)		Diesel	FWD	1461	70	95	05.21-	*
FLUENCE / SYMBOL (L3_) 02.10-				Sedán (Luxury car-F Segment)				
1.6 16V (K4M 838)		Gasolina	FWD	1598	78	106	02.10-	*
1.6 16V (L301, L30F, L30P, L30R) (K4M 838)		Gasolina	FWD	1598	81	110	02.10-	*
1.6 16V (L301, L30F, L30P, L30R) (K4M 839)		Gasolina	FWD	1598	81	110	02.10-	*
1.6 16V (L301, L30P, L30R) (K4M 838)		Gasolina	FWD	1598	82	111	02.10-	*
1.6 (L33J)		Gasolina	FWD	1598	84	114	11.15-	*
1.6 (L33T, L33J, L304, L305, L30H) (H4M 729)		Gasolina	FWD	1598	86	117	01.13-	*
2.0 16V		Gasolina	FWD	1997	101	137	05.11-	*
2.0 16V (L30C, L30G, L30T, L30V) (M4R 714)		Gasolina	FWD	1997	103	140	02.10-	*
2.0 16V (L30C, L30G, L30T, L30V) (M4R 751)		Gasolina	FWD	1997	103	140	02.10-	*
2.0 (M4R 714)		Gasolina	FWD	1997	105	143	05.14-	*
2.0 (M4R 751)		Gasolina	FWD	1997	105	143	05.14-	*
1.6 LPG 16V (K4M 839)		Gasol./G as (LPG)	FWD	1598	81	110	01.12-	*
2.0 Flex		Gasol./Et anol	FWD	1997	105	143	02.10-11.18	*
Z.E. (5AM 400)		Eléctrico	FWD		70	95	02.12-	*
1.5 dCi (L30A) (K9K 830)		Diesel	FWD	1461	63	86	02.10-	*
1.5 dCi (L30S) (K9K 834)		Diesel	FWD	1461	66	90	02.10-	*
1.5 dCi (K9K 826)		Diesel	FWD	1461	70	95	07.14-	*
1.5 dCi (L30B) (K9K 832)		Diesel	FWD	1461	78	106	02.10-	*
1.5 dCi (L30D, L30L, L306, L33F, L33L, L33M, L33V, L33W) (K9K 656)		Diesel	FWD	1461	81	110	02.10-	*
1.5 dCi (L30D, L30L, L306, L33F, L33L, L33M, L33V, L33W) (K9K 657)		Diesel	FWD	1461	81	110	02.10-	*
1.5 dCi (L30D, L30L, L306, L33F, L33L, L33M, L33V, L33W) (K9K 836)		Diesel	FWD	1461	81	110	02.10-	*
1.5 dCi (L30D, L30L, L306, L33F, L33L, L33M, L33V, L33W) (K9K 837)		Diesel	FWD	1461	81	110	02.10-	*
1.6 dCi (R9M 402)		Diesel	FWD	1598	96	130	01.13-	*
GRAND KANGOO III 01.24-				MPV (LCVs-N1 Segment)				
TCe 130 (KJMB)		Gasolina	FWD	1332	96	131	01.24-	*
Blue dCi 95 (KJAB)		Diesel	FWD	1461	70	95	01.24-	*
GRAND SCÉNIC III (JZ0/1_) 02.09-				MPV (Compact MPV-M1 Segment)				
1.6 16V (JZ0U) (K4M 858)		Gasolina	FWD	1598	81	109	02.09-09.16	*
1.5 dCi (JZ0A) (K9K 830)		Diesel	FWD	1461	63	86	04.09-09.16	*
1.5 dCi (JZ02, JZ0R) (K9K 846)		Diesel	FWD	1461	70	95	11.10-09.16	*
1.5 dCi (JZ0B, JZ07) (K9K 832)		Diesel	FWD	1461	78	106	02.09-09.16	*
1.5 dCi (JZ09, JZ0D, JZ10, JZ14, JZ1G, JZ29, JZ2C) (K9K 636)		Diesel	FWD	1461	81	110	04.09-09.16	*
1.5 dCi (JZ09, JZ0D, JZ10, JZ14, JZ1G, JZ29, JZ2C) (K9K 836)		Diesel	FWD	1461	81	110	04.09-09.16	*
1.5 dCi (JZ09, JZ0D, JZ10, JZ14, JZ1G, JZ29, JZ2C) (K9K 837)		Diesel	FWD	1461	81	110	04.09-09.16	*
KANGOO III 06.21-				Furgoneta/MPV (LCVs-N1 Segment)				
1.3 TCe 100 (FJMA)		Gasolina	FWD	1332	75	102	06.21-	*
1.3 TCe 130 (FJMB)		Gasolina	FWD	1332	96	131	06.21-	*
E-Tech Electric (FJJA)		Eléctrico	FWD		90	122	04.22-	*
1.5 Blue dCi 75 (FJAA)		Diesel	FWD	1461	55	75	06.21-	*
1.5 Blue dCi 95 (FJAB)		Diesel	FWD	1461	70	95	06.21-	*
1.5 Blue dCi 115 (FJAC)		Diesel	FWD	1461	85	116	06.21-	*

LISTA DE APLICACIONES - BUYERS GUIDE

KANGOO III 07.21-					MPV (LCVs-N1 Segment)			
TCe 100 (KJMA)		Gasolina	FWD	1332	75	102	07.21-	*
TCe 130 (KJMB)		Gasolina	FWD	1332	96	131	07.21-	*
Blue dCi 75 (KJAA)		Diesel	FWD	1461	55	75	07.21-	*
Blue dCi 95 (KJAB)		Diesel	FWD	1461	70	95	07.21-	*
Blue dCi 115 (KJAC)		Diesel	FWD	1461	85	116	10.21-	*
KAPTUR (H5_) 03.16-					[CAMBIADO]:Fastback (Mini SUV-J Segment)			
1.3 TCe 150 (H5M3)		Gasolina	FWD	1332	110	150	10.21-	*
1.3 TCe 150 4x4 (H5M3)		Gasolina	4WD	1332	110	150	10.21-	*
2.0 4WD (F4R 410)		Gasolina	4WD	1998	105	143	03.16-	*
LODGY (JS_) 07.13-					MPV (Compact MPV-M1 Segment)			
1.5 dCi (K9K 830)		Diesel	FWD	1461	62	85	01.15-	*
MEGANE III (BZ0/1_, B3_) 11.08-					[CAMBIADO]:Fastback (Compact car-C Segment)			
1.2 TCe (BZ16, BZ28) (H5F 404)		Gasolina	FWD	1197	97	132	01.13-01.16	*
1.2 TCe (BZ16, BZ28) (H5F 405)		Gasolina	FWD	1197	97	132	01.13-01.16	*
1.2 TCe (BZ16, BZ28) (H5F 412)		Gasolina	FWD	1197	97	132	01.13-01.16	*
1.2 TCe (BZ2B, BZ11) (H5F 400)		Gasolina	FWD	1198	85	116	03.12-08.15	*
1.2 TCe (BZ2B, BZ11) (H5F 408)		Gasolina	FWD	1198	85	116	03.12-08.15	*
1.4 TCe (BZ0F, BZ1V) (H4J 700)		Gasolina	FWD	1397	96	131	04.09-08.15	*
1.6 16V (BZ0H) (K4M 848)		Gasolina	FWD	1598	74	101	11.08-08.15	*
1.6 16V (BZ0H, BZ1R) (K4M 848)		Gasolina	FWD	1598	78	106	01.10-08.15	*
1.6 16V (BZ1B, BZ1H) (K4M 858)		Gasolina	FWD	1598	81	110	11.08-03.17	*
1.6 16V (K4M 858)		Gasolina	FWD	1598	82	111	11.08-01.16	*
1.6 16V (K4M 866)		Gasolina	FWD	1598	82	111	11.08-01.16	*
1.6 16V (K4M 848)		Gasolina	FWD	1598	85	116	01.13-08.15	*
1.6 16V (K4M 858)		Gasolina	FWD	1598	85	116	01.13-08.15	*
1.6 (B332) (H4M 729)		Gasolina	FWD	1598	86	117	01.14-01.16	*
1.6 TCe		Gasolina	FWD	1598	96	131	01.11-	*
2.0 CVT (BZ0G, BZ1P) (M4R 711)		Gasolina	FWD	1997	103	140	02.09-08.15	*
2.0 CVT (BZ0G, BZ1P) (M4R 713)		Gasolina	FWD	1997	103	140	02.09-08.15	*
2.0 (M4R 710)		Gasolina	FWD	1997	105	143	01.11-08.15	*
2.0 (M4R 714)		Gasolina	FWD	1997	105	143	01.11-08.15	*
2.0 TCe 220 (F4R 874)		Gasolina	FWD	1998	162	220	11.13-01.16	*
1.6 16V BiFuel (BZ1U, BZ0U) (K4M 858)		Gasol./Gas (LPG)	FWD	1598	81	110	05.09-08.15	*
1.6 16V Hi-Flex (BZ03) (K4M 858)		Gasol./Etanol	FWD	1598	81	110	11.08-08.15	*
1.6 16V Hi-Flex (BZ03) (K4M 866)		Gasol./Etanol	FWD	1598	81	110	11.08-08.15	*
1.5 dCi (K9K 830)		Diesel	FWD	1461	63	86	11.08-08.15	*
1.5 dCi (BZ0C) (K9K 834)		Diesel	FWD	1461	66	90	11.08-08.15	*
1.5 dCi (BZ1G, BZ1W, BZ0R) (K9K 846)		Diesel	FWD	1461	70	95	11.13-08.15	*
1.5 dCi (K9K 832)		Diesel	FWD	1461	78	106	12.08-01.16	*
1.5 dCi (BZ09, BZ0D, BZ1W, BZ29, BZ14) (K9K 636)		Diesel	FWD	1461	81	110	02.09-12.15	*
1.5 dCi (BZ09, BZ0D, BZ1W, BZ29, BZ14) (K9K 836)		Diesel	FWD	1461	81	110	02.09-12.15	*
1.5 dCi (BZ09, BZ0D, BZ1W, BZ29, BZ14) (K9K 837)		Diesel	FWD	1461	81	110	02.09-12.15	*
1.5 dCi (BZ09, BZ0D, BZ1W, BZ29, BZ14) (K9K 846)		Diesel	FWD	1461	81	110	02.09-12.15	*
1.5 DCI (BZ29)		Diesel	FWD	1461	81	110	02.09-08.15	*
1.5 dCi		Diesel	RWD	1461	96	131	11.08-	*

LISTA DE APLICACIONES - BUYERS GUIDE

1.6 dCi (BZ00, BZ12, BZ13) (R9M 402)		Diesel	FWD	1598	96	130	04.11-08.15	*	
1.6 dCi (BZ00, BZ12, BZ13) (R9M 404)		Diesel	FWD	1598	96	130	04.11-08.15	*	
1.9 dCi (BZ0N, BZ0J) (F9Q 870)		Diesel	FWD	1870	96	131	11.08-01.16	*	
1.9 dCi (BZ0N, BZ0J) (F9Q 872)		Diesel	FWD	1870	96	131	11.08-01.16	*	
MEGANE III (DZ0/1_) 11.08-							Coupé (Compact car-C Segment)		
1.2 TCe (DZ16, DZ28) (H5F 404)		Gasolina	FWD	1197	97	132	01.13-08.15	*	
1.2 TCe (DZ16, DZ28) (H5F 405)		Gasolina	FWD	1197	97	132	01.13-08.15	*	
1.2 TCe (DZ16, DZ28) (H5F 412)		Gasolina	FWD	1197	97	132	01.13-08.15	*	
1.2 TCe (DZ2B, DZ11) (H5F 400)		Gasolina	FWD	1198	85	116	03.12-08.15	*	
1.2 TCe (DZ2B, DZ11) (H5F 408)		Gasolina	FWD	1198	85	116	03.12-08.15	*	
1.4 TCe (DZ0F, DZ1V) (H4J 700)		Gasolina	FWD	1397	96	131	04.09-08.15	*	
1.6 16V (DZ0H) (K4M 848)		Gasolina	FWD	1598	74	101	11.08-08.15	*	
1.6 16V (DZ0U, DZ1B, DZ1H) (K4M 858)		Gasolina	FWD	1598	81	110	11.08-08.15	*	
2.0 CVT (DZ0G, DZ1E) (M4R 711)		Gasolina	FWD	1997	103	140	05.09-08.15	*	
2.0 TCe 220 (F4R 874)		Gasolina	FWD	1998	162	220	11.13-08.15	*	
1.6 16V Bifuel (DZ03, DZ1Y) (K4M 866)		Gasol./Gas (LPG)	FWD	1598	81	110	11.08-08.15	*	
1.5 dCi (DZ0A) (K9K 830)		Diesel	FWD	1461	63	86	11.08-08.15	*	
1.5 dCi (DZ0C, DZ1A) (K9K 834)		Diesel	FWD	1461	66	90	11.08-08.15	*	
1.5 dCi (K9K 846)		Diesel	FWD	1461	70	95	07.14-08.15	*	
1.5 dCi (DZ0B) (K9K 832)		Diesel	FWD	1461	78	106	02.09-08.15	*	
1.5 dCi (DZ09, DZ0D, DZ1F, DZ1G, DZ14, DZ29) (K9K 636)		Diesel	FWD	1461	81	110	02.09-08.15	*	
1.5 dCi (DZ09, DZ0D, DZ1F, DZ1G, DZ14, DZ29) (K9K 836)		Diesel	FWD	1461	81	110	02.09-08.15	*	
1.5 dCi (DZ09, DZ0D, DZ1F, DZ1G, DZ14, DZ29) (K9K 837)		Diesel	FWD	1461	81	110	02.09-08.15	*	
1.5 dCi (DZ09, DZ0D, DZ1F, DZ1G, DZ14, DZ29) (K9K 846)		Diesel	FWD	1461	81	110	02.09-08.15	*	
1.6 dCi (DZ00, DZ12, DZ2A, DZ13) (R9M 402)		Diesel	FWD	1598	96	130	04.11-08.15	*	
1.9 dCi (DZ0N, DZ0J, DZ1J, DZ1K) (F9Q 870)		Diesel	FWD	1870	96	131	11.08-08.15	*	
1.9 dCi (DZ0N, DZ0J, DZ1J, DZ1K) (F9Q 872)		Diesel	FWD	1870	96	131	11.08-08.15	*	
MEGANE III (B95) 06.09-							Sedán (Compact car-C Segment)		
1.6 16V		Gasolina	FWD	1598	82	112	06.09-	*	
1.9 dCi		Diesel	RWD	1870	96	130	06.09-	*	
MEGANE III Grandtour (KZ0/1) 11.08-							[CAMBIADO]:Break (Compact car-C Segment)		
1.2 TCe (KZ16, KZ28) (H5F 404)		Gasolina	FWD	1197	97	132	01.13-01.16	*	
1.2 TCe (KZ16, KZ28) (H5F 405)		Gasolina	FWD	1197	97	132	01.13-01.16	*	
1.2 TCe (KZ16, KZ28) (H5F 412)		Gasolina	FWD	1197	97	132	01.13-01.16	*	
1.2 TCe (KZ2B, KZ11) (H5F 400)		Gasolina	FWD	1198	85	116	03.12-08.15	*	
1.2 TCe (KZ2B, KZ11) (H5F 408)		Gasolina	FWD	1198	85	116	03.12-08.15	*	
1.4 TCe (KZ0F, KZ1V) (H4J 700)		Gasolina	FWD	1397	96	130	05.09-08.15	*	
1.6 16V (KZ0H) (K4M 848)		Gasolina	FWD	1598	74	101	05.09-08.15	*	
1.6 16V (KZ0U, KZ1B, KZ1U) (K4M 858)		Gasolina	FWD	1598	81	110	05.09-08.15	*	
1.6 16V (KZ0U, KZ1B, KZ1U) (K4M 866)		Gasolina	FWD	1598	81	110	05.09-08.15	*	
2.0 CVT (KZ0G, KZ1P) (M4R 711)		Gasolina	FWD	1997	103	140	05.09-08.15	*	
2.0 CVT (KZ0G, KZ1P) (M4R 713)		Gasolina	FWD	1997	103	140	05.09-08.15	*	
2.0 TCe (F4R 874)		Gasolina	FWD	1998	162	220	09.12-01.16	*	
1.6 BiFuel (KZ03) (K4M 866)		Gasol./Gas (LPG)	FWD	1598	81	110	11.08-08.15	*	
1.5 dCi (K9K 830)		Diesel	FWD	1461	63	86	03.09-08.15	*	
1.5 dCi (KZ0C, KZ1A) (K9K 834)		Diesel	FWD	1461	66	90	05.09-08.15	*	
1.5 dCi (KZ1G, KZ1W, KZ0R) (K9K 846)		Diesel	FWD	1461	70	95	11.13-08.15	*	

LISTA DE APLICACIONES - BUYERS GUIDE

1.5 dCi (KZ1M, KZ1W, KZ0R) (K9K 832)	Diesel	FWD	1461	78	106	02.09-08.15	*
1.5 dCi (KZ1M, KZ1W, KZ0R) (K9K 836)	Diesel	FWD	1461	78	106	02.09-08.15	*
1.5 dCi (KZ1M, KZ1W, KZ0R) (K9K 846)	Diesel	FWD	1461	78	106	02.09-08.15	*
1.5 dCi (KZ09, KZ0D, KZ1G, KZ29, KZ14, KZ1W, KZ10, KZ1F,...) (K9K 636)	Diesel	FWD	1461	81	110	02.09-08.15	*
1.5 dCi (KZ09, KZ0D, KZ1G, KZ29, KZ14, KZ1W, KZ10, KZ1F,...) (K9K 836)	Diesel	FWD	1461	81	110	02.09-08.15	*
1.5 dCi (KZ09, KZ0D, KZ1G, KZ29, KZ14, KZ1W, KZ10, KZ1F,...) (K9K 837)	Diesel	FWD	1461	81	110	02.09-08.15	*
1.5 dCi (KZ09, KZ0D, KZ1G, KZ29, KZ14, KZ1W, KZ10, KZ1F,...) (K9K 846)	Diesel	FWD	1461	81	110	02.09-08.15	*
1.6 dCi (KZ00, KZ12, KZ13) (R9M 402)	Diesel	FWD	1598	96	130	04.11-08.15	*
1.6 dCi (KZ00, KZ12, KZ13) (R9M 404)	Diesel	FWD	1598	96	130	04.11-08.15	*
1.6 dCi (KZ00, KZ12, KZ13) (R9M 414)	Diesel	FWD	1598	96	130	04.11-08.15	*
1.9 dCi (KZ0J, KZ0N, KZ1S) (F9Q 870)	Diesel	FWD	1870	96	131	05.09-08.15	*
1.9 dCi (KZ0J, KZ0N, KZ1S) (F9Q 872)	Diesel	FWD	1870	96	131	05.09-08.15	*
MEGANE III Hatchback Van (BZ_) 11.08-08.15						Furgón/hatchback (Compact car-C Segment)	
1.5 dCi (BZ0C, BZ1A) (K9K 834)	Diesel	FWD	1461	66	90	11.08-08.15	*
1.5 dCi (BZ0D, BZ1G, BZ1F, BZ1M, BZ1W, BZ0R, BZ10) (K9K 836)	Diesel	FWD	1461	81	110	02.09-08.15	*
1.5 dCi (BZ0D, BZ1G, BZ1F, BZ1M, BZ1W, BZ0R, BZ10) (K9K 846)	Diesel	FWD	1461	81	110	02.09-08.15	*
MEGANE III CC (EZ0/1_) 06.10-						Cabrio (Compact car-C Segment)	
1.2 TCe (EZ16) (H5F 404)	Gasolina	FWD	1197	97	132	01.13-08.15	*
1.2 TCe (H5F 400)	Gasolina	FWD	1198	85	116	09.12-08.15	*
1.4 TCe (EZ0F, EZ1V) (H4J 700)	Gasolina	FWD	1397	96	131	06.10-08.15	*
1.6 16V (EZ0U, EZ1U) (K4M 858)	Gasolina	FWD	1598	81	110	06.10-08.15	*
2.0 CVT (EZ0G, EZ1E, EZ1P) (M4R 711)	Gasolina	FWD	1997	103	140	06.10-08.15	*
2.0 CVT (EZ0G, EZ1E, EZ1P) (M4R 713)	Gasolina	FWD	1997	103	140	06.10-08.15	*
1.6 16V Hi-Flex (K4M 866)	Gasol./Etanol	FWD	1598	81	110	06.10-08.15	*
1.5 dCi (EZ0B, EZ07) (K9K 832)	Diesel	FWD	1461	78	106	11.13-08.15	*
1.5 dCi (EZ09, EZ1G, EZ0D, EZ14) (K9K 837)	Diesel	FWD	1461	81	110	06.10-08.15	*
1.6 dCi (EZ00) (R9M 402)	Diesel	FWD	1598	96	130	04.11-08.15	*
1.9 dCi (EZ0J, EZ1S) (F9Q 870)	Diesel	FWD	1870	96	131	06.10-08.15	*
MEGANE III Combi Van (KZ0/1) 01.09-08.15						[CAMBIADO]:Furgón/Break (Compact car-C Segment)	
1.5 dCi (K9K 830)	Diesel	FWD	1461	63	86	03.10-08.15	*
1.5 dCi (KZ1A) (K9K 834)	Diesel	FWD	1461	66	90	03.10-08.15	*
1.5 dCi (K9K 832)	Diesel	FWD	1461	78	106	03.10-08.15	*
1.5 dCi (K9K 836)	Diesel	FWD	1461	81	110	01.09-08.15	*
1.5 dCi (K9K 837)	Diesel	FWD	1461	81	110	01.09-08.15	*
MODUS / GRAND MODUS (F/JP0_) 09.04-						[CAMBIADO]:Fastback (Mini MPV-M1 Segment)	
1.5 dCi 75 (K9K 770)	Diesel	FWD	1461	55	75	10.10-12.13	*
1.5 dCi 90 (K9K 750)	Diesel	FWD	1461	65	88	10.10-12.13	*
1.5 dCi 90 (K9K 770)	Diesel	FWD	1461	65	88	10.10-12.13	*
OROCH (Duster) 09.15-						Pick-up (Compact SUV-J Segment)	
2.0 Flex	Gasolina	FWD	1998	105	143	09.15-	*
2.0 Flex	Gasolina	FWD	1998	105	143	09.15-	*
SCÉNIC III (JZ0/1_) 12.08-						MPV (Compact MPV-M1 Segment)	
1.6 16V (JZ0U, JZ1B) (K4M 858)	Gasolina	FWD	1598	81	110	02.09-09.16	*
1.6 16V (JZ0U, JZ1B) (K4M R 858)	Gasolina	FWD	1598	81	110	02.09-09.16	*
1.6 16V Bifuel (K4M 866)	Gasol./Gas (LPG)	FWD	1598	79	107	04.12-12.13	*

LISTA DE APLICACIONES - BUYERS GUIDE

1.6 16V Bifuel (K4M 866)		Gasol./Gas (LPG)	FWD	1598	81	110	02.09-09.16	*	
1.6 E85 (JZ03, JZ1Y) (K4M 866)		Gasol./Etanol	FWD	1598	81	110	02.09-09.16	*	
1.5 dCi (K9K 830)		Diesel	FWD	1461	63	86	04.09-09.16	*	
1.5 dCi (JZ02, JZ0R) (K9K 846)		Diesel	FWD	1461	70	95	11.10-09.16	*	
1.5 dCi (K9K 832)		Diesel	FWD	1461	78	106	02.09-09.16	*	
1.5 dCi (K9K 636)		Diesel	FWD	1461	81	110	04.09-09.16	*	
1.5 dCi (K9K 656)		Diesel	FWD	1461	81	110	04.09-09.16	*	
1.5 dCi (K9K 657)		Diesel	FWD	1461	81	110	04.09-09.16	*	
1.5 dCi (K9K 836)		Diesel	FWD	1461	81	110	04.09-09.16	*	
1.5 dCi (K9K 837)		Diesel	FWD	1461	81	110	04.09-09.16	*	
SCÉNIC III VAN (JZ0/1_) 12.08-							Furgoneta/MPV (Compact MPV-M1 Segment)		
1.6 VVT (JZ0U, JZ1B, JZ1H, JZ1U, JZ24)		Gasolina	FWD	1598	81	110	01.13-09.16	*	
1.5 dCi (JZ02)		Diesel	FWD	1461	70	95	01.13-09.16	*	
1.5 dCi (JZ0D, JZ1M, JZ09, JZ14, JZ1G, JZ1W, JZ10)		Diesel	FWD	1461	81	110	04.09-09.16	*	
TALIENT 08.21-							Sedán (Compact car-C Segment)		
1.0 TCe 90		Gasolina	FWD	999	66	90	08.21-	*	
1.0 TCe 100 ECO LPG		Gasol./Gas (LPG)	FWD	999	74	101	08.21-	*	
ZOE (BFM_) 06.12-							[CAMBIADO]:Fastback (City car-A Segment)		
ZOE		Eléctrico	FWD		43	58	04.13-	*	
ZOE		Eléctrico	FWD		51	69	09.15-	*	
ZOE		Eléctrico	FWD		53	72	08.18-	*	
Electric (BFME)		Eléctrico	FWD		57	77	12.17-	*	
ZOE (5AM 450)		Eléctrico	FWD		65	88	06.12-	*	
ZOE (5AQ 601)		Eléctrico	FWD		65	88	06.12-	*	
ZOE (5AQ 601)		Eléctrico	FWD		68	92	09.16-	*	
R110		Eléctrico	FWD		79	108	05.18-	*	
ZOE (BFMD) (5AQ 607)		Eléctrico	FWD		80	109	08.18-	*	
ZOE (BFMC, BFMD) (5AQ 605)		Eléctrico	FWD		100	136	09.19-	*	
ZOE (BFM_) 04.19-							Furgón/hatchback (City car-A Segment)		
Electric (BFMA, BFMB)		Eléctrico	FWD		65	88	04.19-	*	
Electric (BFME)		Eléctrico	FWD		68	92	04.19-	*	
Electric (BFMF)		Eléctrico	FWD		80	109	04.19-	*	
Electric (BFMC, BFMD)		Eléctrico	FWD		100	136	10.19-	*	
RENAULT (DFAC)									
CAPTUR II 10.19-							[CAMBIADO]:Fastback (Mini SUV-J Segment)		
TCe 240		Gasolina	FWD	1331	98	133	10.19-	*	
TCe 270		Gasolina	FWD	1331	117	159	10.19-	*	
SAMSUNG									
QM3 12.13-							Closed SUV ()		
1.5 dCi		Diesel	RWD	1461	66	90	12.13-	*	
XM3 (LJL) 01.20-							SUV (Compact SUV-J Segment)		
Tce 260 (H5H)		Gasolina	FWD	1332	112	152	01.20-	*	
Gte (H4M)		Gasolina	FWD	1598	90	123	01.20-	*	
VW									

LISTA DE APLICACIONES - BUYERS GUIDE

PASSAT B1 Variant / DASHER (33) 05.73-10.81				[CAMBIADO]:Break (Large family car-D Segment)				
1.6 (FS)	Gasolina	FWD	1588	53	72	02.76-08.79	*	