

LISTA DE APLICACIONES - BUYERS GUIDE

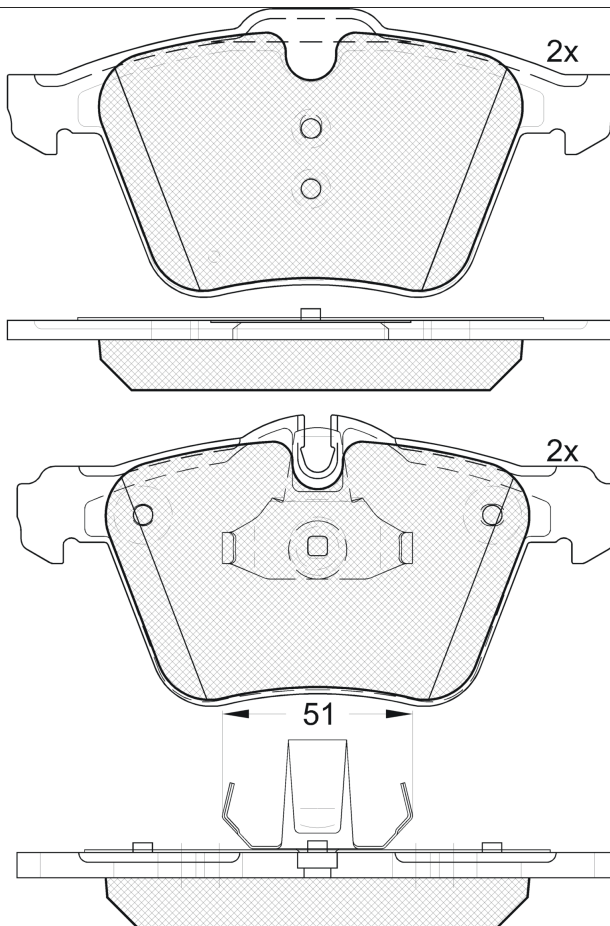
RB1902



Qty: 300

Weight: 2.155

| O.E.M. | MAKE |
|--------------|--------|
| 02 C2C 40926 | JAGUAR |
| 02 C2Z 14096 | JAGUAR |
| 2CZ 14096 | JAGUAR |
| C2C 14096 | JAGUAR |
| C2C 27291 | JAGUAR |
| C2C 35440 | JAGUAR |
| C2C 36974 | JAGUAR |
| C2D 60654 | JAGUAR |
| C2Z 14096 | JAGUAR |
| C2Z 32076 | JAGUAR |



RB1902

E 9 90R-01111/2572



Ate - Teves

| |
|------------------|
| 154.9x75.1x20.1 |
| 156.4x74.34x20.1 |

| WVA | FMSI |
|-------|------------|
| 24079 | D1240-8357 |
| 24080 | |
| 24521 | |

Sin Filas



| Trac. | CC | Kw | CV |
|-------|----|----|----|
|-------|----|----|----|



Front / Rear

JAGUAR

S-TYPE II (X200) 10.98-12.08

Sedán (Executive car-E Segment)

| Model | Fuel | Trac. | CC | Kw | CV | Period | Notes |
|--------------------------|----------|-------|------|-----|-----|-------------|-------|
| R 4,2 V8 (AJ8FT) | Gasolina | RWD | 4196 | 291 | 396 | 04.02-10.07 | * |
| 4.2 Supercharged (AJ8FT) | Gasolina | RWD | 4196 | 298 | 405 | 11.01-12.08 | * |

XF (X250) 03.08-04.15

Sedán (Luxury car-F Segment)

| | | | | | | | |
|--------------------------|----------|-----|------|-----|-----|-------------|---|
| 3.0 (AJ6WG) | Gasolina | RWD | 2967 | 175 | 238 | 03.08-04.15 | * |
| 3.0 | Gasolina | FWD | 2967 | 179 | 243 | 03.08-04.15 | * |
| 3.0 (306PS) | Gasolina | RWD | 2995 | 250 | 340 | 03.12-04.15 | * |
| 3.0 AWD (306PS) | Gasolina | 4WD | 2995 | 250 | 340 | 10.12-04.15 | * |
| 4.2 Supercharged (SV8TS) | Gasolina | RWD | 4196 | 306 | 416 | 03.08-04.15 | * |
| 5.0 (508PN) | Gasolina | RWD | 5000 | 283 | 385 | 03.09-04.15 | * |
| 5.0 Supercharged (508PS) | Gasolina | RWD | 5000 | 346 | 471 | 01.09-04.15 | * |
| 5.0 Supercharged (508PS) | Gasolina | RWD | 5000 | 375 | 510 | 03.09-04.15 | * |
| 3.0 D (AJV6D) | Diesel | RWD | 2993 | 155 | 211 | 03.09-04.15 | * |
| 3.0 D (306DT) | Diesel | RWD | 2993 | 177 | 241 | 03.09-04.15 | * |
| 3.0 D (AJV6D) | Diesel | RWD | 2993 | 177 | 241 | 03.09-04.15 | * |
| 3.0 D (306DT) | Diesel | RWD | 2993 | 202 | 275 | 03.09-04.15 | * |
| 3.0 D (AJV6D) | Diesel | RWD | 2993 | 202 | 275 | 03.09-04.15 | * |

XF II SPORTBRAKE (X250) 09.12-12.15

[CAMBIADO]:Break (Luxury car-F Segment)

| | | | | | | | |
|---------------|--------|-----|------|-----|-----|-------------|---|
| 3.0 D (306DT) | Diesel | RWD | 2993 | 177 | 241 | 09.12-04.14 | * |
| 3.0 D (AJV6D) | Diesel | RWD | 2993 | 177 | 241 | 09.12-04.14 | * |
| 3.0 D (306DT) | Diesel | RWD | 2993 | 202 | 275 | 09.12-04.14 | * |
| 3.0 D (AJV6D) | Diesel | RWD | 2993 | 202 | 275 | 09.12-04.14 | * |

LISTA DE APLICACIONES - BUYERS GUIDE

| XJ (X350, X358) 03.03-03.09 | | | | | Sedán (Luxury car-F Segment) | | | |
|------------------------------------|--|----------|-----|------|--|-----|-------------|---|
| 2.0 Ti4 (204PT) | | Gasolina | RWD | 1999 | 177 | 241 | 05.12-12.19 | * |
| R 4.2 (AJ33SC) | | Gasolina | RWD | 4196 | 291 | 395 | 03.03-03.09 | * |
| R 4.2 (AJ8FT) | | Gasolina | RWD | 4196 | 291 | 395 | 03.03-03.09 | * |
| 5.0 V8 (508PN) | | Gasolina | RWD | 5000 | 283 | 385 | 10.09-12.19 | * |
| 3.0 SDV6 (306DT) | | Diesel | RWD | 2993 | 202 | 275 | 10.09-04.16 | * |
| 3.0 SDV6 (306DT) | | Diesel | RWD | 2993 | 221 | 300 | 04.15-12.19 | * |
| XK II (X150) 03.06-07.14 | | | | | Cabrió (Grand Tourer-S Segment) | | | |
| 4.2 | | Gasolina | RWD | 4196 | 291 | 396 | 09.07-12.09 | * |
| 4.2 XKR (SV8TS) | | Gasolina | RWD | 4196 | 306 | 416 | 03.06-07.14 | * |
| 4.2 XKR (SV8TS) | | Gasolina | RWD | 4196 | 313 | 426 | 08.06-07.14 | * |
| 5.0 V8 (508PN) | | Gasolina | RWD | 5000 | 283 | 385 | 01.09-07.14 | * |
| XK II (X150) 03.06-12.14 | | | | | Coupé (Grand Tourer-S Segment) | | | |
| 4.2 XKR (AJ8FT) | | Gasolina | RWD | 4196 | 291 | 396 | 03.06-07.14 | * |
| 4.2 XKR (SV8TS) | | Gasolina | RWD | 4196 | 306 | 416 | 03.06-07.14 | * |
| 4.2 XKR (SV8TS) | | Gasolina | RWD | 4196 | 313 | 426 | 08.06-07.14 | * |
| 5.0 V8 (508PN) | | Gasolina | RWD | 5000 | 283 | 385 | 01.09-07.14 | * |