

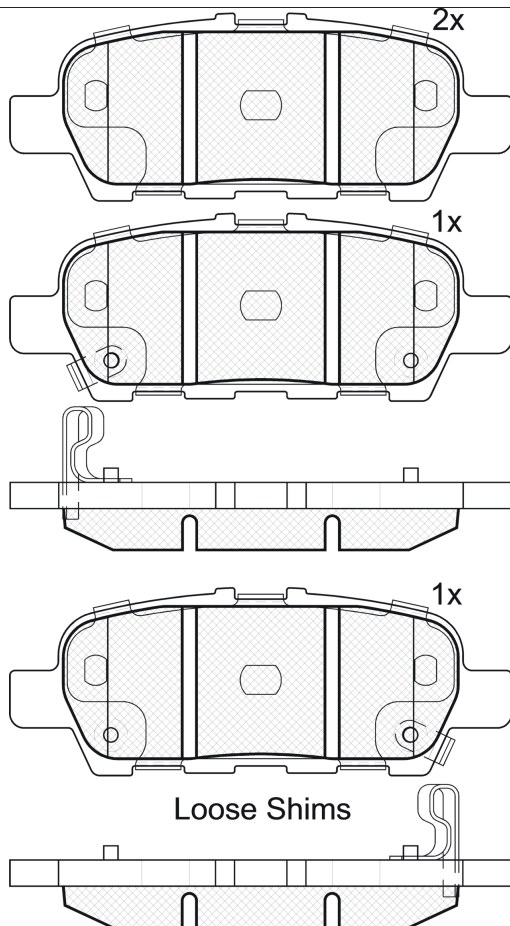
LISTA DE APLICACIONES - BUYERS GUIDE

RB1901-203



Qty: 300 Weight: 800

| O.E.M. | MAKE |
|----------------|------------|
| D4060-1BN0A | INFINITI |
| D4060-1GZ0C | NISSAN |
| D4060-1MB0A | INFINITI |
| D4060-3JY0A | NISSAN |
| D4060-3TA3A | NISSAN |
| D4060-4BA0C | NISSAN |
| D4060-4CU2A | NISSAN |
| D4060-4ND0A | NISSAN |
| D40606HH0A | INFINITI |
| D4060-6MT0A | NISSAN |
| D4060-9DJ0A | NISSAN |
| D40609HE0B | INFINITI |
| D4060-9HM0B | NISSAN |
| D4060-9HM0C | NISSAN |
| D4060-9HU0A | NISSAN |
| D4060-9HU0B | NISSAN |
| D4060-9UH0A | - |
| D4M60-1BN0A | INFINITI |
| D4M601BNOA | INFINITI |
| D4M60-4ND0A | NISSAN |
| D4M60-9N00B | NISSAN |
| D4M60-9N00B-VA | NISSAN |
| D4M60-EG50C | INFINITI |
| D4M6-EG50C | INFINITI |
| MQ 706 234 | MITSUBISHI |



RB1901-203

E 9 90R-01111/2897



Akebono

105.5x39.5x14.8

| WVA | FMSI |
|-------|------------|
| 24871 | D1393-8501 |
| 24872 | |
| 25778 | |

Sin Filas



| Trac. | CC | Kw | CV | | |
|-------|----|----|----|--|--------------|
| | | | | | Front / Rear |

INFINITI

| | | | | | SUV (Mini SUV-J Segment) | | | | |
|------------------------------------|----------|-----|------|-----|---|-------------|--|---|--|
| ESQ (JF15) 09.14- | | | | | | | | | |
| 1.6 | Gasolina | FWD | 1598 | 85 | 116 | 09.14- | | * | |
| 1.6 AWD (MR16DDT) | Gasolina | 4WD | 1618 | 147 | 200 | 09.14- | | * | |
| EX (S50_U.S.A.) 09.07-12.11 | | | | | Closed SUV (Luxury Crossover SUV-J Segment) | | | | |
| 25 | Gasolina | FWD | 2495 | 173 | 235 | 01.10-12.11 | | * | |
| 35 | Gasolina | FWD | 3498 | 234 | 318 | 01.10-12.11 | | * | |
| EX 09.07- | | | | | SUV (Luxury Crossover SUV-J Segment) | | | | |
| 25 AWD | Gasolina | 4WD | 2495 | 163 | 222 | 09.07- | | * | |
| 25 | Gasolina | FWD | 2495 | 173 | 235 | 07.12-12.13 | | * | |
| 25 (VQ25HR) | Gasolina | 4WD | 2495 | 175 | 238 | 04.10-12.13 | | * | |
| 35 (VQ35HR) | Gasolina | 4WD | 3498 | 221 | 301 | 10.08- | | * | |
| 35 (VQ35HR) | Gasolina | RWD | 3498 | 221 | 300 | 09.07-12.12 | | * | |
| 37 (VQ37VHR) | Gasolina | 4WD | 3694 | 228 | 310 | 10.08- | | * | |
| 37 (VQ37VHR) | Gasolina | 4WD | 3696 | 235 | 320 | 09.10- | | * | |
| 37 (VQ37VH) | Gasolina | RWD | 3696 | 242 | 329 | 09.12- | | * | |
| 37 AWD (VQ37VH) | Gasolina | 4WD | 3696 | 242 | 329 | 09.12- | | * | |
| 30d (V9X) | Diesel | 4WD | 2993 | 175 | 238 | 04.10- | | * | |
| FX II (S51) 07.08- | | | | | SUV (Luxury Crossover SUV-J Segment) | | | | |
| 35 | Gasolina | RWD | 3498 | 205 | 279 | 07.08-10.09 | | * | |
| 35 AWD | Gasolina | 4WD | 3498 | 205 | 279 | 07.08-05.09 | | * | |
| 35 AWD (VQ35HR) | Gasolina | 4WD | 3498 | 223 | 303 | 01.12-07.13 | | * | |
| 35 (VQ35HR) | Gasolina | RWD | 3498 | 226 | 307 | 10.08-12.11 | | * | |

LISTA DE APLICACIONES - BUYERS GUIDE

| | | | | | | | | |
|-----------------------------|--|---------------|-----|------|---|-----|-------------|---|
| 35 AWD (VQ35HR) | | Gasolina | 4WD | 3498 | 226 | 307 | 02.09-12.10 | * |
| 37 AWD (VQ37VHR) | | Gasolina | 4WD | 3696 | 242 | 329 | 09.12- | * |
| 37 A las 4 ruedas (VQ37VHR) | | Gasolina | 4WD | 3696 | 258 | 351 | 07.12-12.13 | * |
| G IV (V36) 09.10- | | | | | Cabrió (Compact executive car-D Segment) | | | |
| 37 (VQ37VHR) | | Gasolina | RWD | 3696 | 235 | 320 | 09.10- | * |
| 37 | | Gasolina | RWD | 3696 | 242 | 329 | 09.10- | * |
| 37 | | Gasolina | RWD | 3696 | 245 | 333 | 09.10- | * |
| 37 | | Gasolina | FWD | 3696 | 256 | 348 | 09.12- | * |
| 37 | | Gasolina | FWD | 3696 | 260 | 354 | 09.12- | * |
| G IV (V36) 09.07- | | | | | Coupé (Compact executive car-D Segment) | | | |
| 37 (VQ37VHR) | | Gasolina | RWD | 3694 | 243 | 330 | 09.07- | * |
| 37 (VQ37VHR) | | Gasolina | RWD | 3696 | 235 | 320 | 09.10- | * |
| 37 (VQ37VHR) | | Gasolina | RWD | 3696 | 245 | 333 | 09.08-12.12 | * |
| G IV (V36) 01.07- | | | | | Sedán (Compact executive car-D Segment) | | | |
| 25 | | Gasolina | FWD | 2495 | 173 | 235 | 07.12-12.13 | * |
| 25 (VQ25HR) | | Gasolina | RWD | 2496 | 163 | 222 | 01.11- | * |
| 25 X (VQ25HR) | | Gasolina | 4WD | 2496 | 163 | 222 | 09.10-12.12 | * |
| 37 (VQ37VHR) | | Gasolina | RWD | 3694 | 243 | 330 | 10.08- | * |
| 37 (VQ37VHR) | | Gasolina | RWD | 3696 | 235 | 320 | 10.08- | * |
| 37 X (VQ37VHR) | | Gasolina | 4WD | 3696 | 235 | 320 | 10.08- | * |
| 37 (VQ37VHR) | | Gasolina | RWD | 3696 | 240 | 327 | 01.12- | * |
| 37 (VQ37VHR) | | Gasolina | RWD | 3696 | 245 | 333 | 09.08- | * |
| 37 X (VQ37VHR) | | Gasolina | 4WD | 3696 | 245 | 333 | 09.08-12.13 | * |
| 37 (VQ37VHR) | | Gasolina | RWD | 3696 | 258 | 351 | 01.09- | * |
| JX SUV (L50) 09.12- | | | | | SUV (Executive SUV-J Segment) | | | |
| 3.5 AWD (VQ35DE) | | Gasolina | 4WD | 3498 | 195 | 265 | 11.12-09.13 | * |
| 3.5 AWD (VQ35DE) | | Gasolina | 4WD | 3498 | 198 | 269 | 08.11-09.13 | * |
| M IV (Y51) 03.10- | | | | | Sedán (Luxury car-F Segment) | | | |
| 25 (VQ25HR) | | Gasolina | RWD | 2495 | 160 | 218 | 03.10- | * |
| 25 | | Gasolina | RWD | 2495 | 163 | 222 | 07.10- | * |
| 25 | | Gasolina | RWD | 2495 | 173 | 235 | 09.10-12.12 | * |
| 25L (VQ25HR) | | Gasolina | RWD | 2495 | 173 | 235 | 06.12-12.13 | * |
| 37 (VQ37VHR) | | Gasolina | RWD | 3696 | 235 | 320 | 03.10- | * |
| 37 | | Gasolina | RWD | 3696 | 246 | 334 | 09.10-12.13 | * |
| 37 X (VQ37VHR) | | Gasolina | 4WD | 3696 | 246 | 334 | 09.10- | * |
| 56 | | Gasolina | RWD | 5552 | 300 | 408 | 03.10- | * |
| 56 X | | Gasolina | 4WD | 5552 | 300 | 408 | 03.10- | * |
| 56 (VK56VD) | | Gasolina | RWD | 5552 | 309 | 420 | 01.12- | * |
| 56 | | Gasolina | FWD | 5552 | 313 | 426 | 03.10- | * |
| 56 (VK56VD) | | Gasolina | 4WD | 5552 | 313 | 425 | 09.10- | * |
| 35h (VQ35HR) | | Gasol./el éc. | RWD | 3498 | 268 | 364 | 04.11- | * |
| 30d (V9X) | | Diesel | RWD | 2993 | 175 | 238 | 03.10- | * |
| M35 (Y50) 01.05- | | | | | Sedán (Luxury car-F Segment) | | | |
| 3.5 (VQ35HR) | | Gasolina | RWD | 3498 | 226 | 307 | 09.08-12.10 | * |
| 3.5 X (VQ35HR) | | Gasolina | 4WD | 3498 | 226 | 307 | 09.08-12.10 | * |
| 3.5 h (VQ35HR) | | Gasol./el éc. | RWD | 3498 | 268 | 364 | 01.10- | * |

LISTA DE APLICACIONES - BUYERS GUIDE

| | | | | | | | | |
|-----------------------------|--|------------------|-----|------|---|-----|-------------|---|
| M37 01.10- | | | | | Sedán (Luxury car-F Segment) | | | |
| 3.7 (VQ37VHR) | | Gasolina | RWD | 3696 | 243 | 330 | 01.10- | * |
| 3.7 (VQ37VHR) | | Gasolina | RWD | 3696 | 246 | 334 | 01.11- | * |
| 3.7 Allrad (VQ37VHR) | | Gasolina | 4WD | 3696 | 246 | 334 | 01.11- | * |
| M45 III (Y50) 01.05- | | | | | Sedán (Luxury car-F Segment) | | | |
| 4.5 (VK45DE) | | Gasolina | RWD | 4494 | 242 | 329 | 09.06-12.10 | * |
| 4.5 X (VK45DE) | | Gasolina | 4WD | 4494 | 242 | 329 | 09.17-12.10 | * |
| 4.5 (VK45DE) | | Gasolina | RWD | 4494 | 250 | 340 | 01.05- | * |
| Q40 09.14- | | | | | Sedán (Luxury car-F Segment) | | | |
| 3.7 | | Gasolina | FWD | 3696 | 245 | 333 | 09.14- | * |
| 3.7 | | Gasolina | FWD | 3696 | 245 | 333 | 09.14- | * |
| Q50 (V37) 04.13- | | | | | Sedán (Compact SUV-J Segment) | | | |
| 2.0 T | | Gasolina | RWD | 1991 | 153 | 208 | 04.14- | * |
| 2.0 T | | Gasolina | RWD | 1991 | 155 | 211 | 04.14- | * |
| 2.0 T AWD | | Gasolina | 4WD | 1991 | 155 | 211 | 09.15- | * |
| 50 | | Gasolina | RWD | 3696 | 241 | 328 | 06.13- | * |
| 50 (VQ37VHR) | | Gasolina | RWD | 3696 | 245 | 333 | 04.13- | * |
| 50 AWD (VQ37VHR) | | Gasolina | RWD | 3696 | 245 | 333 | 04.13- | * |
| 3.7 (VQ37HR) | | Gasolina | RWD | 3696 | 258 | 351 | 04.14- | * |
| 50 Hybrid (VQ35HR) | | Gasol./el éc. | RWD | 3498 | 225 | 306 | 04.13- | * |
| 50 Hybrid AWD (VQ35HR) | | Gasol./el éc. | 4WD | 3498 | 225 | 306 | 04.13- | * |
| 50 Hybrid (VQ35HR) | | Gasol./el éc. | RWD | 3498 | 257 | 350 | 12.14- | * |
| 50 Hybrid (VQ35HR) | | Gasol./el éc. | RWD | 3498 | 261 | 355 | 06.13- | * |
| 50 Hybrid AWD (VQ35HR) | | Gasol./el éc. | 4WD | 3498 | 261 | 355 | 06.13- | * |
| hybrid (VQ35HR) | | Gasol./el éc. | RWD | 3498 | 264 | 359 | 04.13- | * |
| Hybrid AWD (VQ35HR) | | Gasol./el éc. | 4WD | 3498 | 264 | 359 | 04.13- | * |
| 50 Hybrid (VQ35HR) | | Gasol./el éc. | RWD | 3498 | 268 | 364 | 04.13- | * |
| 50 Hybrid AWD (VQ35HR) | | Gasol./el éc. | 4WD | 3498 | 268 | 364 | 04.13- | * |
| 50 D | | Diesel | RWD | 2143 | 125 | 170 | 04.13- | * |
| Q60 (V36) 10.13- | | | | | Cabrió (Compact executive car-D Segment) | | | |
| 3.7 (VQ37VHR) | | Gasolina | RWD | 3696 | 235 | 320 | 10.13- | * |
| 3.7 (VQ37VHR) | | Gasolina | RWD | 3696 | 242 | 329 | 10.13- | * |
| 3.7AWD (VQ37VHR) | | Gasolina | 4WD | 3696 | 242 | 329 | 10.13- | * |
| 3.7 (VQ37VHR) | | Gasolina | RWD | 3696 | 245 | 333 | 10.13- | * |
| 3.7 (VQ37VHR) | | Gasolina | RWD | 3696 | 246 | 335 | 10.13- | * |
| 3.7AWD (VQ37VRH) | | Gasolina | 4WD | 3696 | 246 | 335 | 10.13- | * |
| 3.7 IPL (VQ37VHR) | | Gasolina | RWD | 3696 | 256 | 348 | 10.13- | * |
| 3.7 (VQ37VHR) | | Gasolina | RWD | 3696 | 258 | 351 | 10.13- | * |
| 3.7 IPL (VQ37VHR) | | Gasolina | RWD | 3696 | 260 | 354 | 10.13- | * |
| Q60 (V36) 08.13- | | | | | Coupé (Compact executive car-D Segment) | | | |
| 3.7 (VQ37VHR) | | Gasolina | RWD | 3696 | 235 | 320 | 10.13- | * |
| 3.7 (VQ37VHR) | | Gasolina | RWD | 3696 | 242 | 329 | 10.13- | * |
| 3.7AWD (VQ37VHR) | | Gasolina | 4WD | 3696 | 242 | 329 | 10.13- | * |
| 3.7 (VQ37VHR) | | Gasolina | RWD | 3696 | 245 | 333 | 10.13- | * |
| 3.7 | | Gasolina | RWD | 3696 | 246 | 335 | 10.13- | * |

LISTA DE APLICACIONES - BUYERS GUIDE

| | | | | | | | | | |
|------------------------------------|--|---------------|-----|------|--|-----|-------------|---|--|
| 3.7AWD (VQ37VHR) | | Gasolina | 4WD | 3696 | 246 | 335 | 10.13- | * | |
| 3.7 IPL (VQ37VHR) | | Gasolina | RWD | 3696 | 256 | 348 | 10.13- | * | |
| 3.7 IPL (VQ37VHR) | | Gasolina | RWD | 3696 | 260 | 354 | 10.13- | * | |
| Q60 II (CV37) 09.16- | | | | | Coupé (Compact executive car-D Segment) | | | | |
| 2.0 T (M 274) | | Gasolina | RWD | 1991 | 153 | 208 | 09.16- | * | |
| 2.0 T (M 274) | | Gasolina | RWD | 1991 | 155 | 211 | 09.16- | * | |
| 2.0 T AWD | | Gasolina | 4WD | 1991 | 155 | 211 | 09.16- | * | |
| Q70 (Y51) 03.13- | | | | | Sedán (Luxury car-F Segment) | | | | |
| 2.5 | | Gasolina | RWD | 2495 | 163 | 222 | 05.15- | * | |
| 2.5 | | Gasolina | FWD | 2495 | 173 | 235 | 08.13- | * | |
| 3.7 (VQ37VHR) | | Gasolina | RWD | 3696 | 235 | 320 | 03.13- | * | |
| 3.7 (VQ37VHR) | | Gasolina | RWD | 3696 | 241 | 328 | 06.13- | * | |
| 3.7 | | Gasolina | RWD | 3696 | 245 | 333 | 06.13- | * | |
| 3.7AWD (VQ37VHR) | | Gasolina | 4WD | 3696 | 245 | 333 | 01.14- | * | |
| 3.7 | | Gasolina | RWD | 3696 | 246 | 335 | 10.13- | * | |
| 3.7AWD | | Gasolina | 4WD | 3696 | 246 | 335 | 10.13- | * | |
| 5.6 (VK56VD) | | Gasolina | RWD | 5552 | 296 | 402 | 01.15- | * | |
| 5.6 AWD | | Gasolina | 4WD | 5552 | 300 | 408 | 01.15- | * | |
| 5.6 (VK56VD) | | Gasolina | RWD | 5552 | 310 | 422 | 07.14- | * | |
| 5.6 AWD (VK56VD) | | Gasolina | 4WD | 5552 | 310 | 422 | 07.14- | * | |
| 5.6 (VK56VD) | | Gasolina | RWD | 5552 | 313 | 426 | 09.13- | * | |
| 5.6 AWD (VK56VD) | | Gasolina | 4WD | 5552 | 313 | 426 | 09.13- | * | |
| 3.5 Hybrid | | Gasol./el éc. | RWD | 3498 | 219 | 298 | 05.15- | * | |
| 3.5 Hybrid (VQ35HR) | | Gasol./el éc. | RWD | 3498 | 225 | 306 | 03.13- | * | |
| 3.5 Hybrid (VQ35HR) | | Gasol./el éc. | RWD | 3498 | 268 | 364 | 03.13- | * | |
| 2.2 D | | Diesel | RWD | 2143 | 125 | 170 | 10.14- | * | |
| 3.0 (V9X) | | Diesel | RWD | 2993 | 175 | 238 | 03.13- | * | |
| QX50 (J50) 08.13- | | | | | SUV (Luxury Crossover SUV-J Segment) | | | | |
| 2.5 AWD (VQ25HR) | | Gasolina | 4WD | 2495 | 163 | 222 | 02.14- | * | |
| 2.5 | | Gasolina | RWD | 2495 | 173 | 235 | 08.13- | * | |
| 2.5 AWD | | Gasolina | 4WD | 2495 | 173 | 235 | 08.13- | * | |
| 37 AWD (VQ37VHR) | | Gasolina | 4WD | 3696 | 235 | 320 | 08.13- | * | |
| 37 AWD (VQ37VHR) | | Gasolina | 4WD | 3696 | 240 | 326 | 05.15- | * | |
| 37 | | Gasolina | RWD | 3696 | 242 | 329 | 08.13- | * | |
| 37 AWD (VQ37VHR) | | Gasolina | 4WD | 3696 | 242 | 329 | 08.13- | * | |
| 3.7 V6 VVEL AWD | | Gasolina | 4WD | 3696 | 258 | 351 | 08.13- | * | |
| 30d AWD (V9X) | | Diesel | 4WD | 2993 | 175 | 238 | 08.13- | * | |
| QX60 / JX35 (L50) 04.12- | | | | | SUV (Executive SUV-J Segment) | | | | |
| 3.5 AWD (VQ35DE) | | Gasolina | 4WD | 3498 | 193 | 262 | 10.13- | * | |
| Hybrid AWD | | Gasol./el éc. | 4WD | 2488 | 170 | 231 | 01.12-12.21 | * | |
| 2.5 Hybrid (QR25DER) | | Gasol./el éc. | FWD | 2488 | 186 | 253 | 09.13- | * | |
| QX70 (S51) 08.13- | | | | | SUV (Luxury Crossover SUV-J Segment) | | | | |
| 37 | | Gasolina | FWD | 3696 | 258 | 351 | 02.14- | * | |
| QX80 / QX56 II (Z62) 08.13- | | | | | SUV (Luxury Crossover SUV-J Segment) | | | | |
| 3.5 | | Gasolina | FWD | 3498 | 224 | 305 | 08.13- | * | |

INFINITI (DFAC)

LISTA DE APLICACIONES - BUYERS GUIDE

| | | | | | | | | |
|--|---------------|-----|------|-----|--|-------------|---|--|
| Q50L (V37Z) 11.14- | | | | | Sedán (Luxury car-F Segment) | | | |
| 2.0 T | Gasolina | FWD | 1991 | 155 | 211 | 11.14- | * | |
| QX50 (J50Z) 03.15- | | | | | [CAMBIADO]:Fastback (Executive car-E Segment) | | | |
| 2.5 A las 4 ruedas | Gasolina | FWD | 2496 | 173 | 235 | 03.15- | * | |
| MITSUBISHI | | | | | | | | |
| PROUDIA/DIGNITY II (BHGY5_, BY_5) 07.12- | | | | | Sedán (Luxury car-F Segment) | | | |
| 2.5 | Gasolina | FWD | 2495 | 165 | 224 | 07.12- | * | |
| 3.5 | Gasolina | FWD | 3498 | 225 | 306 | 07.12- | * | |
| 3.7 | Gasolina | FWD | 3696 | 245 | 333 | 07.12- | * | |
| 3.7 | Gasolina | FWD | 3696 | 245 | 333 | 07.12- | * | |
| NISSAN | | | | | | | | |
| ALTIMA IV (L32) 10.06-07.13 | | | | | Sedán (Executive car-E Segment) | | | |
| 2.5 (QR25DE) | Gasolina | FWD | 2488 | 128 | 174 | 10.06-07.13 | * | |
| ALTIMA V / TEANA III (L33) 05.12- | | | | | Sedán (Executive car-E Segment) | | | |
| 2.5 (QR25DE) | Gasolina | FWD | 2488 | 134 | 182 | 05.12- | * | |
| 3.5 (VQ35DE) | Gasolina | FWD | 3498 | 201 | 273 | 08.12- | * | |
| BLUEBIRD SYLPHY / SYLPHY III (B17) 07.12- | | | | | Sedán (Compact car-C Segment) | | | |
| 1.6 (HR16DE) | Gasolina | FWD | 1598 | 85 | 116 | 08.12- | * | |
| 1.6 | Gasolina | FWD | 1598 | 86 | 117 | 05.13- | * | |
| 1.8 (MRA8DE) | Gasolina | FWD | 1798 | 96 | 131 | 08.12- | * | |
| CUBE III (Z12) 09.07- | | | | | [CAMBIADO]:Fastback (Mini MPV-M1 Segment) | | | |
| 1.6 16V (HR16DE) | Gasolina | FWD | 1598 | 81 | 110 | 08.09- | * | |
| 1.5 dCi (K9K) | Diesel | FWD | 1461 | 78 | 106 | 10.09- | * | |
| 1.5 dCi (K9K 270) | Diesel | FWD | 1461 | 78 | 106 | 10.09- | * | |
| 1.5 dCi (K9K) | Diesel | FWD | 1461 | 81 | 110 | 03.10- | * | |
| 1.5 dCi (K9K 270) | Diesel | FWD | 1461 | 81 | 110 | 03.10- | * | |
| FUGA (_Y50) 10.04-12.09 | | | | | Sedán (Luxury car-F Segment) | | | |
| 250 (Y50) | Gasolina | FWD | 2495 | 164 | 223 | 01.05-12.09 | * | |
| 350GT (PY50) | Gasolina | FWD | 3498 | 230 | 313 | 12.07-12.09 | * | |
| 350GT FOUR A las 4 ruedas (PNY50) | Gasolina | 4WD | 3498 | 230 | 313 | 12.07-12.09 | * | |
| 450GT (GY50) (VK45DE) | Gasolina | RWD | 4494 | 245 | 333 | 01.05-12.09 | * | |
| FUGA II (_Y51) 11.09- | | | | | Sedán (Luxury car-F Segment) | | | |
| 250 GT (Y51) | Gasolina | FWD | 2495 | 165 | 224 | 11.09- | * | |
| 370 GT (KNY51) | Gasolina | FWD | 3696 | 245 | 333 | 11.09- | * | |
| 370 GT (KY51) | Gasolina | FWD | 3696 | 245 | 333 | 11.09- | * | |
| Hybrid 3.5 (HY51) | Gasol./el éc. | RWD | 3498 | 275 | 374 | 10.10- | * | |
| JUKE (F15) 06.10- | | | | | Furgoneta/SUV (Mini SUV-J Segment) | | | |
| CVTC | Gasolina | FWD | 1598 | 86 | 117 | 03.13-12.19 | * | |
| 1.6 | Gasolina | FWD | 1618 | 140 | 190 | 03.13-12.19 | * | |
| dCi | Diesel | FWD | 1461 | 81 | 110 | 06.10-12.19 | * | |
| JUKE (F15) 06.10- | | | | | SUV (Mini SUV-J Segment) | | | |
| 1.2 DIG-T (HRA2DDT) | Gasolina | FWD | 1197 | 85 | 115 | 05.14-12.19 | * | |
| 1.6 (HR16DE) | Gasolina | FWD | 1598 | 69 | 94 | 05.13-12.19 | * | |
| 1.6 CVTC | Gasolina | FWD | 1598 | 72 | 98 | 08.14-12.19 | * | |
| 1.6 (HR16DE) | Gasolina | FWD | 1598 | 83 | 113 | 07.18-12.19 | * | |
| 1.6 (HR16DE) | Gasolina | FWD | 1598 | 85 | 116 | 03.16-12.19 | * | |

LISTA DE APLICACIONES - BUYERS GUIDE

| | | | | | | | | | |
|------------------------------------|--|------------------|-----|------|--|-----|-------------|---|--|
| 1.6 (HR16DE) | | Gasolina | FWD | 1598 | 86 | 117 | 06.10-12.19 | * | |
| 1.6 DIG-T (MR16DDT) | | Gasolina | FWD | 1618 | 140 | 190 | 06.10-12.19 | * | |
| 1.6 DIG-T 4x4 (MR16DDT) | | Gasolina | 4WD | 1618 | 140 | 190 | 06.10-12.19 | * | |
| 1.6 DIG-T | | Gasolina | FWD | 1618 | 147 | 200 | 11.12- | * | |
| 1.6 DIG-T NISMO (MR16DDT) | | Gasolina | FWD | 1618 | 147 | 200 | 11.12-12.19 | * | |
| 1.6 DIG-T NISMO 4x4 (MR16DDT) | | Gasolina | 4WD | 1618 | 147 | 200 | 11.12-12.19 | * | |
| 1.6 DIG-T NISMO RS | | Gasolina | FWD | 1618 | 157 | 214 | 11.15-12.19 | * | |
| 1.6 DIG-T NISMO RS 4x4 (MR16DDT) | | Gasolina | 4WD | 1618 | 157 | 214 | 08.14-12.19 | * | |
| 1.6 DIG-T NISMO RS (MR16DDT) | | Gasolina | FWD | 1618 | 160 | 218 | 08.14-12.19 | * | |
| 1.6 LPG (HR16DE) | | Gasol./Gas (LPG) | FWD | 1598 | 80 | 109 | 09.18-12.19 | * | |
| 1.6 LPG (HR16DE) | | Gasol./Gas (LPG) | FWD | 1598 | 85 | 116 | 01.12-12.19 | * | |
| 1.6 Flexfuel | | Gasol./Etanol | FWD | 1598 | 85 | 116 | 06.10- | * | |
| 1.5 dCi (K9K 410) | | Diesel | FWD | 1461 | 81 | 110 | 06.10-12.19 | * | |
| 1.5 dCi (K9K 636) | | Diesel | FWD | 1461 | 81 | 110 | 06.10-12.19 | * | |
| 1.5 dCi (K9K 646) | | Diesel | FWD | 1461 | 81 | 110 | 06.10-12.19 | * | |
| 1.5 dCi (K9K 896) | | Diesel | FWD | 1461 | 81 | 110 | 06.10-12.19 | * | |
| LEAF (ZE0) 11.10- | | | | | [CAMBIADO]:Fastback (Executive car-E Segment) | | | | |
| Electric (EM57) | | Eléctrico | FWD | | 80 | 109 | 11.10-12.17 | * | |
| Electric (EM61) | | Eléctrico | FWD | | 80 | 109 | 11.10-12.17 | * | |
| LEAF II (ZE1) 08.17- | | | | | [CAMBIADO]:Fastback (Executive car-E Segment) | | | | |
| Electric (EM57) | | Eléctrico | FWD | | 110 | 150 | 08.17- | * | |
| Electric (EM57) | | Eléctrico | FWD | | 160 | 218 | 01.19- | * | |
| MAXIMA VII (A35) 09.08- | | | | | Sedán (Executive car-E Segment) | | | | |
| 3.0 | | Gasolina | FWD | 2988 | 140 | 190 | 06.09- | * | |
| 3.5 | | Gasolina | FWD | 3498 | 214 | 291 | 09.08- | * | |
| 3.5 (VQ35DE) | | Gasolina | FWD | 3498 | 216 | 294 | 09.08- | * | |
| MURANO II (Z51) 10.07-09.14 | | | | | SUV (Executive SUV-J Segment) | | | | |
| 2.5 (TZ51) | | Gasolina | FWD | 2488 | 125 | 170 | 09.08-09.14 | * | |
| 2.5 4x4 (TNZ51) | | Gasolina | 4WD | 2488 | 125 | 170 | 09.08-09.14 | * | |
| 3.5 4x4 (VQ35DE) | | Gasolina | 4WD | 3498 | 183 | 249 | 12.10-09.14 | * | |
| 3.5 4x4 (VQ35DE) | | Gasolina | 4WD | 3498 | 188 | 256 | 10.08-09.14 | * | |
| 3.5 4x4 (VQ35) | | Gasolina | 4WD | 3498 | 191 | 260 | 12.09-09.14 | * | |
| 3.5 4x4 (VQ35DE) | | Gasolina | 4WD | 3498 | 191 | 260 | 12.09-09.14 | * | |
| 3.5 (VQ35DE) | | Gasolina | FWD | 3498 | 195 | 265 | 11.07-09.14 | * | |
| 3.5 4x4 (VQ35DE) | | Gasolina | 4WD | 3498 | 195 | 265 | 11.07-09.14 | * | |
| 3.5 4x4 (VQ35DE) | | Gasolina | 4WD | 3498 | 198 | 269 | 09.08-12.10 | * | |
| NV200 02.10- | | | | | [CAMBIADO]:Furgón (LCVs-N1 Segment) | | | | |
| e-NV (ME0N) (EM57) | | Eléctrico | FWD | | 80 | 109 | 05.14- | * | |
| NV200 EVALIA 07.10- | | | | | Bus (Minibus-M2-Segment) | | | | |
| e-NV (ME0M) (EM57) | | Eléctrico | FWD | | 80 | 109 | 07.14- | * | |
| PULSAR (C12) 08.10- | | | | | [CAMBIADO]:Fastback (Supermini car-B Segment) | | | | |
| 1.6 (HR16DE) | | Gasolina | FWD | 1598 | 85 | 116 | 08.12- | * | |
| 1.6 (MR16DDT) | | Gasolina | FWD | 1618 | 140 | 190 | 02.13- | * | |
| 1.8 (MRA8DE) | | Gasolina | FWD | 1798 | 96 | 131 | 08.12- | * | |
| 1.6 Flexfuel | | Gasol./Etanol | FWD | 1618 | 140 | 190 | 02.13- | * | |

LISTA DE APLICACIONES - BUYERS GUIDE

| | | | | | [CAMBIADO]:Fastback (Large family car-D Segment) | | | | |
|---|--|---------------|-----|------|--|-----|-------------|---|--|
| PULSAR / SYLPHI (C13) 10.14- | | | | | | | | | |
| 1.2 DIG-T (HRA2DDT) | | Gasolina | FWD | 1197 | 85 | 115 | 10.14- | * | |
| 1.6 CVTC (HR16DE) | | Gasolina | FWD | 1598 | 86 | 117 | 08.12- | * | |
| 1.6 DIG-T (MR16DDT) | | Gasolina | FWD | 1618 | 140 | 190 | 02.15- | * | |
| 1.5 dCi (K9K) | | Diesel | FWD | 1461 | 81 | 110 | 10.14- | * | |
| SENTRA VII / PULSAR / TSURA / TSURU (B17) 08.12- | | | | | Sedán (Compact car-C Segment) | | | | |
| 1.6 | | Gasolina | FWD | 1598 | 85 | 116 | 05.13- | * | |
| 1.6 (HR16DE) | | Gasolina | FWD | 1598 | 86 | 117 | 08.14- | * | |
| 1.6 DIG-T | | Gasolina | FWD | 1618 | 140 | 190 | 06.14- | * | |
| 1.8 (MRA8DE) | | Gasolina | FWD | 1798 | 91 | 124 | 10.17- | * | |
| 1.8 (MRA8DE) | | Gasolina | FWD | 1798 | 95 | 129 | 01.15- | * | |
| 1.8 (MRA8DE) | | Gasolina | FWD | 1798 | 96 | 131 | 08.12- | * | |
| 2.0 16V | | Gasolina | FWD | 1997 | 103 | 140 | 11.14- | * | |
| 2.0 CVTCS | | Gasolina | FWD | 1997 | 103 | 140 | 01.14- | * | |
| SERENA IV (C26) 11.10-08.18 | | | | | MPV (Large MPV-M1 Segment) | | | | |
| 2.0 | | Gasolina | FWD | 1997 | 106 | 144 | 11.10-07.16 | * | |
| 2.0 | | Gasolina | FWD | 1997 | 108 | 147 | 11.10-07.16 | * | |
| 2.0 | | Gasolina | FWD | 1997 | 108 | 147 | 11.10-07.16 | * | |
| 2.0 Hybrid | | Gasol./el éc. | FWD | 1997 | 108 | 147 | 03.13-07.16 | * | |
| SERENA V (C27) 08.16- | | | | | MPV (Large MPV-M1 Segment) | | | | |
| 2.0 | | Gasolina | FWD | 1997 | 110 | 150 | 08.16- | * | |
| 1.2 e-Power (HR12DE) | | Gasol./el éc. | FWD | 1197 | 62 | 84 | 03.18- | * | |
| 1.2 Combined e-Power (HR12DE) | | Gasol./el éc. | FWD | 1198 | 100 | 136 | 03.18- | * | |
| 2.0 S-Hybrid (C27L) (MR20DD) | | Gasol./el éc. | FWD | 1997 | 110 | 150 | 08.16- | * | |
| SKYLINE XII CROSSOVER (_J50) 07.09- | | | | | Closed SUV (Executive SUV-J Segment) | | | | |
| 370GT (J50) | | Gasolina | FWD | 3696 | 243 | 330 | 07.09- | * | |
| 370GT FOUR (J50) | | Gasolina | FWD | 3696 | 243 | 330 | 07.09- | * | |
| SKYLINE XIII (_V37) 02.14- | | | | | Sedán (Compact executive car-D Segment) | | | | |
| 200GT (YV37) | | Gasolina | FWD | 1991 | 155 | 211 | 02.14- | * | |
| 350GT Hibrid | | Gasol./el éc. | RWD | 3498 | 225 | 306 | 02.14- | * | |
| 350GT FOUR Hibrid A las 4 ruedas (HNV37) | | Gasol./el éc. | 4WD | 3498 | 275 | 374 | 02.14- | * | |
| 350GT Hibrid (HV37) | | Gasol./el éc. | RWD | 3498 | 275 | 374 | 02.14- | * | |
| TEANA II / MAXIMA (J32) 01.07- | | | | | Sedán (Executive car-E Segment) | | | | |
| 2.0 | | Gasolina | FWD | 1997 | 100 | 136 | 02.13-09.13 | * | |
| 2.5 | | Gasolina | FWD | 2488 | 123 | 167 | 03.10-01.13 | * | |
| 2.5 FOUR A las 4 ruedas (QR25DE) | | Gasolina | 4WD | 2488 | 123 | 167 | 06.08-12.12 | * | |
| 2.5 (VQ25DE) | | Gasolina | FWD | 2496 | 134 | 182 | 07.08-09.13 | * | |
| 3.5 (VQ35DE) | | Gasolina | FWD | 3498 | 183 | 249 | 07.08-09.13 | * | |
| TEANA III / ALTIMA V (J33, L33) 09.13- | | | | | Sedán (Executive car-E Segment) | | | | |
| 2.0 | | Gasolina | FWD | 1997 | 100 | 136 | 09.13- | * | |
| 2.5 (L33L, L33R, L33T) (QR25DE) | | Gasolina | FWD | 2488 | 127 | 173 | 09.13- | * | |
| 2.5 (QR25) | | Gasolina | FWD | 2488 | 134 | 182 | 01.14- | * | |
| 3.5 CVTC | | Gasolina | FWD | 3498 | 183 | 249 | 01.14- | * | |
| 3.5 | | Gasolina | FWD | 3498 | 201 | 273 | 01.14- | * | |

LISTA DE APLICACIONES - BUYERS GUIDE

| | | | | | | | | | |
|--|--|---------------|-----|------|--|-----|-------------|---|--|
| 2.0 Flexfuel (L33T) | | Gasol./Etanol | FWD | 1997 | 100 | 136 | 01.14- | * | |
| 2.5 Flexfuel (L33T) | | Gasol./Etanol | FWD | 2488 | 127 | 173 | 01.14- | * | |
| X-TRAIL III / ROGUE II (T32_, T32R, T32RR) 10.13- | | | | | SUV (Compact SUV-J Segment) | | | | |
| 2.0 (T32) | | Gasolina | FWD | 1997 | 104 | 141 | 09.14- | * | |
| 2.0 | | Gasolina | FWD | 1997 | 106 | 144 | 12.14- | * | |
| 2.0 (T32) (MR20DD) | | Gasolina | FWD | 1997 | 106 | 144 | 02.14- | * | |
| 2.0 ALL MODE 4x4-i | | Gasolina | 4WD | 1997 | 106 | 144 | 12.14- | * | |
| 2.0 ALL MODE 4x4-i (NT32) (MR20DD) | | Gasolina | 4WD | 1997 | 106 | 144 | 09.14- | * | |
| 2.0 (T32) | | Gasolina | FWD | 1997 | 108 | 147 | 12.13- | * | |
| 2.0 ALL MODE 4x4-i (NT32) | | Gasolina | 4WD | 1997 | 108 | 147 | 12.13- | * | |
| 2.5 (T32) (QR25DE) | | Gasolina | FWD | 2488 | 124 | 169 | 01.15- | * | |
| 2.5 ALL MODE 4x4-i (NT32) (QR25DE) | | Gasolina | 4WD | 2488 | 124 | 169 | 10.14- | * | |
| 2.5 (T32) (QR25DE) | | Gasolina | FWD | 2488 | 126 | 171 | 12.13- | * | |
| 2.5 ALL MODE 4x4-i (NT32) (QR25DE) | | Gasolina | 4WD | 2488 | 126 | 171 | 12.13- | * | |
| 2.0 Flexfuel (T32) (MR20DD) | | Gasol./Etanol | FWD | 1997 | 106 | 144 | 09.14- | * | |
| 2.0 Flexfuel ALL MODE 4x4-i (MR20DD) | | Gasol./Etanol | 4WD | 1997 | 106 | 144 | 02.14- | * | |
| 2.0 Flexfuel ALL MODE 4x4-i | | Gasol./Etanol | 4WD | 1997 | 106 | 144 | 12.14- | * | |
| 2.5 Flexfuel ALL MODE 4x4-i (NT32) (QR25DE) | | Gasol./Etanol | 4WD | 2488 | 126 | 171 | 02.14- | * | |
| 2.0 Hybrid (MR20DD) | | Gasol./eléc. | FWD | 1997 | 132 | 180 | 09.14- | * | |
| 2.0 Hybrid ALL MODE 4x4-i (HNT32) (MR20DD) | | Gasol./eléc. | 4WD | 1997 | 132 | 180 | 09.14- | * | |
| 2.0 Hybrid (HT32) | | Gasol./eléc. | FWD | 1997 | 138 | 188 | 11.16- | * | |
| 2.0 Hybrid ALL MODE 4x4-i (HNT32) | | Gasol./eléc. | 4WD | 1997 | 138 | 188 | 11.16- | * | |
| NISSAN (DFAC) | | | | | | | | | |
| ALTIMA (L34Z) 12.18- | | | | | Sedán (Executive car-E Segment) | | | | |
| 2.0 (MR20) | | Gasolina | FWD | 1997 | 117 | 159 | 12.18- | * | |
| 2.0 (KR20) | | Gasolina | FWD | 1997 | 185 | 252 | 12.18- | * | |
| LANNIA (U15) 10.15- | | | | | Sedán () | | | | |
| 1.6 | | Gasolina | FWD | 1598 | 93 | 126 | 10.15- | * | |
| MAXIMA (A36) 04.16- | | | | | Sedán (Executive car-E Segment) | | | | |
| 2.5 XE | | Gasolina | FWD | 2488 | 137 | 186 | 04.16- | * | |
| MURANO II (Z51) 09.11- | | | | | SUV (Executive SUV-J Segment) | | | | |
| 3.5 A las 4 ruedas (VQ35DE) | | Gasolina | 4WD | 3498 | 228 | 310 | 09.11-12.15 | * | |
| MURANO III (Z52) 08.15- | | | | | SUV (Executive SUV-J Segment) | | | | |
| 2.5 | | Gasolina | FWD | 2488 | 137 | 186 | 08.15- | * | |
| 2.5 HEV | | Gasol./eléc. | FWD | 2488 | 180 | 245 | 08.15- | * | |
| 2.5 HEV 4x4 | | Gasol./eléc. | 4WD | 2488 | 180 | 245 | 08.15- | * | |
| QASCHQAI (J10) 12.07- | | | | | SUV (Compact SUV-J Segment) | | | | |
| 1.2 T | | Gasolina | FWD | 1197 | 86 | 117 | 10.15- | * | |
| 2.0 | | Gasolina | FWD | 1997 | 110 | 150 | 10.15- | * | |
| QASCHQAI II (J11) 10.15- | | | | | SUV (Compact SUV-J Segment) | | | | |
| 2.0 (MR20) | | Gasolina | FWD | 1997 | 113 | 154 | 04.19- | * | |
| SYLPHY III (B17) 07.12-03.16 | | | | | Sedán () | | | | |
| 1.6 | | Gasolina | FWD | 1598 | 93 | 126 | 07.12- | * | |

LISTA DE APLICACIONES - BUYERS GUIDE

| | | | | | | | | | |
|---|--|-----------|-----|------|--|-----|-------------|---|--|
| 1.8 | | Gasolina | FWD | 1798 | 102 | 139 | 07.12- | * | |
| Zero Emission | | Eléctrico | FWD | | 80 | 109 | 09.18- | * | |
| TEANA (L33Z) 01.13- | | | | | Sedán (Executive car-E Segment) | | | | |
| 2.0 (MR20DE) | | Gasolina | FWD | 1997 | 104 | 141 | 01.13-07.16 | * | |
| 2.0 (MR20DE) | | Gasolina | FWD | 1997 | 110 | 150 | 07.16- | * | |
| 2.5 (QR25) | | Gasolina | FWD | 2488 | 137 | 186 | 03.13- | * | |
| TIIDA (C13Z) 05.16- | | | | | [CAMBIADO]:Fastback (Compact car-C Segment) | | | | |
| 1.6 (HR16DE) | | Gasolina | FWD | 1598 | 93 | 126 | 05.16- | * | |
| TIIDA II / LATIO (C12) 05.11- | | | | | [CAMBIADO]:Fastback (Compact car-C Segment) | | | | |
| 1.6 (HR16DE) | | Gasolina | FWD | 1598 | 93 | 126 | 05.11-12.15 | * | |
| 1.6 GTS (MR16) | | Gasolina | FWD | 1618 | 140 | 190 | 06.11-12.15 | * | |
| X-TRAIL (T32) 02.14- | | | | | SUV (Compact SUV-J Segment) | | | | |
| 2.0 2WD (MR20DD) | | Gasolina | FWD | 1197 | 111 | 151 | 08.20- | * | |
| 2.0 (MR20DD) | | Gasolina | FWD | 1197 | 113 | 154 | 08.18- | * | |
| 2.0 (MR20DD) | | Gasolina | FWD | 1997 | 110 | 150 | 03.14-12.18 | * | |
| 2.0 Alas 4 ruedas (MR20DD) | | Gasolina | 4WD | 1997 | 110 | 150 | 03.14-12.18 | * | |
| 2.5 4WD (QR25) | | Gasolina | 4WD | 2488 | 133 | 181 | 08.20- | * | |
| 2.5 A las 4 ruedas | | Gasolina | FWD | 2488 | 137 | 186 | 02.14- | * | |
| RENAULT | | | | | | | | | |
| KOLEOS II (HC_) 04.16- | | | | | SUV (Compact SUV-J Segment) | | | | |
| 1.3 TCe 160 (HCN2) (H5H 470) | | Gasolina | FWD | 1332 | 116 | 158 | 07.20- | * | |
| 2.0 TCe (M5R 402) | | Gasolina | FWD | 1997 | 107 | 145 | 04.16- | * | |
| 2.5 Sce | | Gasolina | FWD | 2488 | 126 | 170 | 04.16- | * | |
| 2.5 Sce 4WD | | Gasolina | 4WD | 2488 | 126 | 171 | 04.16- | * | |
| 1.6 dCi 130 (R9M 409) | | Diesel | FWD | 1598 | 96 | 130 | 04.16- | * | |
| 1.6 dCi 130 (R9M 414) | | Diesel | FWD | 1598 | 96 | 130 | 04.16- | * | |
| 1.7 BLUE dCi 150 (HCA7) (R9N 401) | | Diesel | FWD | 1749 | 110 | 150 | 06.19- | * | |
| 2.0 dCi 175 (HCAK) (M9R 868) | | Diesel | FWD | 1995 | 130 | 177 | 04.16- | * | |
| 2.0 dCi 175 4WD (M9R 868) | | Diesel | 4WD | 1995 | 130 | 177 | 04.16- | * | |
| 2.0 BLUE DCI 185 (HCAN) | | Diesel | FWD | 1997 | 135 | 184 | 01.20- | * | |
| 2.0 BLUE DCI 185 4WD (HCAN) | | Diesel | 4WD | 1997 | 135 | 184 | 01.20- | * | |
| 2.0 BLUE dCi 190 4WD (HCAN) (M9R 730) | | Diesel | 4WD | 1997 | 140 | 190 | 06.19- | * | |
| RENAULT (DFAC) | | | | | | | | | |
| KADJAR 03.16- | | | | | SUV (Compact SUV-J Segment) | | | | |
| 1.2 T (H5F 408) | | Gasolina | FWD | 1197 | 86 | 117 | 04.17- | * | |
| 2.0 (M5R) | | Gasolina | FWD | 1997 | 110 | 150 | 03.16- | * | |
| 2.0 AWD (M5R) | | Gasolina | 4WD | 1997 | 110 | 150 | 03.16- | * | |
| 2.0 (M5R) | | Gasolina | FWD | 1997 | 113 | 154 | 11.18- | * | |
| KOLEOS 11.16- | | | | | SUV (Compact SUV-J Segment) | | | | |
| 2.0 (M5R) | | Gasolina | FWD | 1997 | 110 | 150 | 11.16- | * | |
| SCe230 (M5R) | | Gasolina | FWD | 1997 | 113 | 154 | 04.19- | * | |
| 2.5 SCe230 (QR25) | | Gasolina | FWD | 2488 | 137 | 186 | 11.16- | * | |
| 2.5 SCe230 AWD (QR25) | | Gasolina | 4WD | 2488 | 137 | 186 | 11.16- | * | |
| SUZUKI | | | | | | | | | |
| GRAND VITARA III / ESCUDO / GRAND ESCUDO (JT, TE, TD) 04.05- | | | | | Closed SUV (Compact SUV-J Segment) | | | | |
| 2.0 A las 4 ruedas (TD54V, JB420) (J20A) | | Gasolina | 4WD | 1995 | 103 | 140 | 10.05-02.15 | * | |
| 2.4 (JB424) | | Gasolina | FWD | 2393 | 121 | 164 | 10.16- | * | |

LISTA DE APLICACIONES - BUYERS GUIDE

| | | | | | | | |
|-------------------------------|------------------|-----|------|-----------------------------------|-----|-------------|---|
| 2.4 (JB424) (J24B) | Gasolina | RWD | 2393 | 122 | 166 | 09.08- | * |
| 2.4 (JB424) (J24B) | Gasolina | RWD | 2393 | 124 | 169 | 09.09- | * |
| 3.2 | Gasolina | FWD | 3195 | 171 | 233 | 01.09-12.10 | * |
| LANDY (SC26) 01.10- | | | | MPV (Large MPV-M1 Segment) | | | |
| 2.0 | Gasolina | FWD | 1997 | 106 | 144 | 01.10- | * |
| 2.0 | Gasolina | FWD | 1997 | 108 | 147 | 01.10- | * |
| LANDY II (SC27) 12.16- | | | | MPV (Large MPV-M1 Segment) | | | |
| 2.0 (MR20) | Gasolina | FWD | 1997 | 110 | 150 | 12.16- | * |
| 2.0 (MR20) | Gasol./el éc. | FWD | 1997 | 110 | 150 | 12.16- | * |
| VENUCIA | | | | | | | |
| CHENFENG 09.14- | | | | [CAMBIADO]:Fastback () | | | |
| EV (EM57) | Eléctrico | FWD | 0 | 80 | 109 | 09.14- | * |