

# LISTA DE APLICACIONES - BUYERS GUIDE

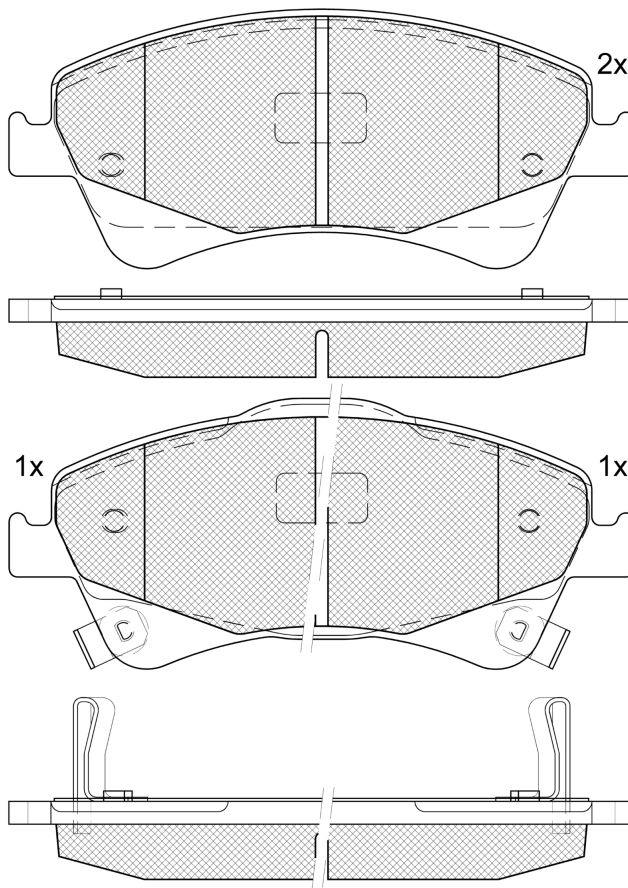
## RB1892



Qty: 300

Weight: 1.926

O.E.M.	MAKE
04465-02280	TOYOTA
04465-0F010	TOYOTA
04465-0F011	TOYOTA
04465-0F012	TOYOTA
04465-YZZEE	TOYOTA
04465-YZZEH	TOYOTA



## RB1892

**90R-01111/2539**



Bosch

150.7x65.28x19.5

150.8x62.57x19.5

WVA	FMSI
24668	D1972-9199
24669	
24929	

Sin Filas



	Trac.	CC	Kw	CV			Front / Rear
--	-------	----	----	----	--	--	--------------

### TOYOTA

<b>AURIS II ( _E18_ ) 07.13-</b>						<b>[CAMBIADO]:Break (Compact car-C Segment)</b>		
2.0 D-4D (ADE186_) (1AD-FTV)	Diesel	FWD	1998	91	124	07.13-04.15	*	
<b>AURIS II / COROLLA ( _E18_ ) 10.12-</b>						<b>[CAMBIADO]:Fastback (Compact car-C Segment)</b>		
2.0 D-4D (ADE186_, ADE186R) (1AD-FTV)	Diesel	FWD	1998	91	124	10.12-04.15	*	
<b>AURIS / BLADE ( _E15_ ) 10.06-01.13</b>						<b>[CAMBIADO]:Fastback (Compact car-C Segment)</b>		
2.0 D-4D (ADE150_, ADE150R) (1AD-FTV)	Diesel	FWD	1998	93	126	10.06-09.12	*	
2.2 D (ADE157_, ADE151_, ADE151R, ADE157R) (2AD-FHV)	Diesel	FWD	2231	130	177	11.06-09.12	*	
<b>AVENSIS III ( _T27_ ) 11.08-10.18</b>						<b>[CAMBIADO]:Break (Large family car-D Segment)</b>		
1.6 VVT-i (ZRT270_, ZRT270R) (1ZR-FAE)	Gasolina	FWD	1598	97	132	11.08-10.18	*	
1.8 VVT-i (ZRT271_, ZRT271R) (2ZR-FAE)	Gasolina	FWD	1798	108	147	11.08-10.18	*	
2.0 VVT-i (ZRT272_, ZRT272R) (3ZR-FAE)	Gasolina	FWD	1987	112	152	11.08-10.18	*	
2.0 VVT-i (ZRT272_, ZRT272R) (3ZR-FE)	Gasolina	FWD	1987	112	152	11.08-10.18	*	
1.6 D4-D (WWT270_) (1WW)	Diesel	FWD	1598	82	112	04.15-10.18	*	
2.0 D-4D (ADT270_, ADT270R) (1AD-FTV)	Diesel	FWD	1998	91	124	11.11-10.18	*	
2.0 D-4D (ADT270_, ADT270R) (1AD-FTV)	Diesel	FWD	1998	93	126	11.08-10.18	*	
<b>AVENSIS III ( _T27_ ) 11.08-</b>						<b>Sedán (Large family car-D Segment)</b>		
1.6 16V	Gasolina	FWD	1595	97	132	11.08-	*	
1.6 VVT-i (ZRT270_, ZRT270R) (1ZR-FAE)	Gasolina	FWD	1598	97	132	11.08-10.18	*	
1.8 16V	Gasolina	FWD	1795	108	147	11.08-	*	
1.8 VVT-i (ZRT271_, ZRT271R) (2ZR-FAE)	Gasolina	FWD	1798	108	147	11.08-10.18	*	
2.0 VVT-i (ZRT272_, ZRT272R) (3ZR-FAE)	Gasolina	FWD	1987	112	152	11.08-10.18	*	

## LISTA DE APLICACIONES - BUYERS GUIDE

2.0 VVT-i (ZRT272_, ZRT272R) (3ZR-FE)	Gasolina	FWD	1987	112	152	11.08-10.18	*
1.6 D4-D (WWT270_) (1WW)	Diesel	FWD	1598	82	112	04.15-10.18	*
2.0 D-4D 16V	Diesel	RWD	1995	93	126	11.08-	*
2.0 D-4D (ADT270_, ADT270R) (1AD-FTV)	Diesel	FWD	1998	91	124	11.11-10.18	*
2.0 D-4D (ADT270_, ADT270R) (1AD-FTV)	Diesel	FWD	1998	93	126	11.08-10.11	*
<b>VERSO (_R2_) 04.09-08.18</b>						<b>Furgoneta/MPV (Mini MPV-M1 Segment)</b>	
VVTi (ZGR20)	Gasolina	FWD	1598	97	132	04.09-08.18	*
VVTi (ZGR21)	Gasolina	FWD	1798	108	147	04.09-08.18	*
D4d (WAR20)	Diesel	FWD	1598	82	112	11.13-08.18	*
D4d (AUR20)	Diesel	FWD	1998	91	124	11.12-08.18	*
<b>VERSO (_R2_) 04.09-</b>						<b>MPV (Mini MPV-M1 Segment)</b>	
1.6 (ZGR20) (1ZR-FAE)	Gasolina	FWD	1598	81	110	04.09-08.18	*
1.6 (ZGR20_, ZGR20R) (1ZR-FAE)	Gasolina	FWD	1598	97	132	04.09-08.18	*
1.8	Gasolina	FWD	1798	95	129	04.09-	*
1.8 (ZGR21_, ZGR21R) (2ZR-FAE)	Gasolina	FWD	1798	108	147	04.09-08.18	*
1.6 D4-D (WAR20_) (1WW)	Diesel	FWD	1598	82	112	11.13-08.18	*
2.0 D-4D (AUR20_, AUR20R) (1AD-FTV)	Diesel	FWD	1998	91	124	11.12-08.18	*
2.0 D-4D (AUR20_, AUR20R) (1AD-FTV)	Diesel	FWD	1998	93	126	04.09-08.18	*