

LISTA DE APLICACIONES - BUYERS GUIDE

RB1886-203

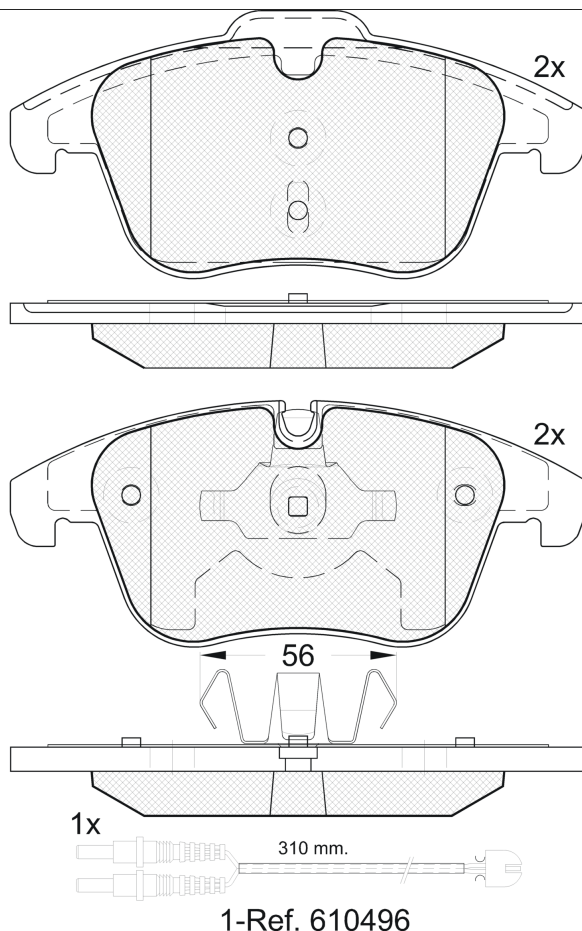


8 424073 135896

Qty: 300

Weight: 2.100

O.E.M.	MAKE
16 092 531 80	CITROËN
16 101 038 80	CITROËN
16 172 832 80	CITROËN
16 197 902 80	PEUGEOT
16 478 628 80	PEUGEOT
16 478 632 80	PEUGEOT
4254.38	CITROËN
4254.A7	PEUGEOT
86 60 003 510	RENAULT
86 60 004 557	RENAULT



1-Ref. 610496

RB1886-203

E 9 90R-01111/2896



Ate - Teves

155.2x66.44x19.2

155.2x72.27x19.2

WVA	FMSI
24084	D1957-9183
24332	

Sin Filas



Trac.	CC	Kw	CV	Front / Rear
-------	----	----	----	--------------

CITROËN

					[CAMBIADO]:Fastback (Large family car-D Segment)				
C5 (RC_) 08.04-									
2.0 16V (RCRFJB, RCRFJC) (RFJ (EW10A))	Gasolina	FWD	1997	103	140	09.04-08.08	*		
C5 II (RW_) 02.08-					[CAMBIADO]:Break (Large family car-D Segment)				
1.6 VTI 120 (5FS (EP6C))	Gasolina	FWD	1598	88	120	07.10-06.15	*		
1.6 THP 150 (5FN (EP6CDT))	Gasolina	FWD	1598	110	150	04.09-07.16	*		
1.6 THP 155 (5FV (EP6CDT))	Gasolina	FWD	1598	115	156	04.09-07.16	*		
1.8 i 16V (RW6FYC) (6FY (EW7A))	Gasolina	FWD	1749	92	125	02.08-10.10	*		
2.0 i 16V (RWRFJC, RWRFJF) (RFJ (EW10A))	Gasolina	FWD	1997	103	140	02.08-10.14	*		
2.0 16V BioFlex (RFJ (EW10A))	Gasol./Etanol	FWD	1997	103	140	02.08-06.10	*		
1.6 HDi 110 (RW9HZC) (9HZ (DV6TED4))	Diesel	FWD	1560	80	109	02.08-10.10	*		
1.6 HDi 110 (9HL (DV6C))	Diesel	FWD	1560	82	112	07.10-05.12	*		
1.6 HDi 110 (9HR (DV6C))	Diesel	FWD	1560	82	112	07.10-05.12	*		
1.6 HDi 115 (9HL (DV6C))	Diesel	FWD	1560	84	114	06.12-06.15	*		
1.6 HDi 115 (9HR (DV6C))	Diesel	FWD	1560	84	114	06.12-06.15	*		
2.0 HDi (RHR (DW10BTED4))	Diesel	FWD	1997	100	136	02.08-06.14	*		
2.0 HDi 140 (RHF (DW10BTED4))	Diesel	FWD	1997	103	140	04.09-06.15	*		
2.0 HDi 150 / BlueHDi 150 (RWRHEJ, RWRHE8) (AHR (DW10FD))	Diesel	FWD	1997	110	150	04.09-05.17	*		
2.0 HDi 150 / BlueHDi 150 (RWRHEJ, RWRHE8) (RHE (DW10CTED4))	Diesel	FWD	1997	110	150	04.09-05.17	*		
2.0 HDi 165 (RHH (DW10CTED4))	Diesel	FWD	1997	120	163	04.09-07.16	*		
C5 II (RD_) 02.08-					Sedán (Large family car-D Segment)				
1.6 VTI 120 (RD5FS8, RD5FSA) (5FS (EP6C))	Gasolina	FWD	1598	88	120	07.10-06.15	*		
1.6 THP 150 (RD5FN8, RD5FNA) (5FN (EP6CDT))	Gasolina	FWD	1598	110	150	07.10-07.16	*		

LISTA DE APLICACIONES - BUYERS GUIDE

1.6 THP 155 (RD5FV8, RD5FNA) (5FV (EP6CDT))	Gasolina	FWD	1598	115	156	04.09-07.16	*	
1.6 (RD5FMA) (5FM (EP6DT))	Gasolina	FWD	1598	120	163	03.11-06.14	*	
1.8 16V (RD6FXC) (6FY (EW7A))	Gasolina	FWD	1749	92	125	02.08-10.10	*	
2.0 16V (RDRFJC, RDRFJF) (RFJ (EW10A))	Gasolina	FWD	1997	103	140	02.08-10.14	*	
2.0 16V BioFlex (RDRFJF) (RFJ (EW10A))	Gasol./Etanol	FWD	1997	103	140	02.08-12.12	*	
1.6 HDi 110 (RD9HZC) (9HZ (DV6TED4))	Diesel	FWD	1560	80	109	02.08-10.10	*	
1.6 HDi 110 (RD9HL0, RD9HR8, RD9HRA) (9HL (DV6C))	Diesel	FWD	1560	82	112	07.10-05.12	*	
1.6 HDi 110 (RD9HL0, RD9HR8, RD9HRA) (9HR (DV6C))	Diesel	FWD	1560	82	112	07.10-05.12	*	
1.6 HDi 115 (RD9HRA, RD9HLA, RD9HL0) (9HL (DV6C))	Diesel	FWD	1560	84	114	01.12-06.15	*	
1.6 HDi 115 (RD9HRA, RD9HLA, RD9HL0) (9HR (DV6C))	Diesel	FWD	1560	84	114	01.12-06.15	*	
2.0 HDi (RDRHD8, RDRHDJ, RDRHR8, RDRHRJ) (RHF (DW10BTED4))	Diesel	FWD	1997	100	136	02.08-06.14	*	
2.0 HDi (RDRHD8, RDRHDJ, RDRHR8, RDRHRJ) (RHR (DW10BTED4))	Diesel	FWD	1997	100	136	02.08-06.14	*	
2.0 HDi (RDRHR8) (RHR (DW10BTED4))	Diesel	FWD	1997	101	138	10.14-05.17	*	
2.0 HDi 140 (RDRHF8, RDRHFA, RDRHA8, RDRHAJ) (RHF (DW10BTED4))	Diesel	FWD	1997	103	140	11.08-06.15	*	
2.0 HDi 150 / BlueHdi 150 (RWRHEJ, RWRHE8) (AHR (DW10FD))	Diesel	FWD	1997	110	150	04.09-05.17	*	
2.0 HDi 150 / BlueHdi 150 (RWRHEJ, RWRHE8) (RHE (DW10CTED4))	Diesel	FWD	1997	110	150	04.09-05.17	*	
2.0 HDi 165 (RDRHHA, RDRHH8) (RHH (DW10CTED4))	Diesel	FWD	1997	120	163	04.09-07.16	*	
CITROËN (DF-PSA)								
C5 01.09-					Sedán (Large family car-D Segment)			
1.6 (5G02 10UF01 (EP6FDTM))	Gasolina	FWD	1598	123	167	05.14-	*	
1.8 (6G01 10UF51 (EP8FDT))	Gasolina	FWD	1751	150	204	09.15-	*	
2.0 (RFN 10FLH3X (EW10A))	Gasolina	FWD	1997	108	147	11.09-	*	
2.3 (3FY (10XP01))	Gasolina	FWD	2253	126	171	01.09-	*	
3.0	Gasolina	FWD	2946	162	220	01.10-	*	
PEUGEOT								
407 (6C_) 10.05-					Coupé (Large family car-D Segment)			
2.0 HDi	Diesel	FWD	1997	110	150	02.10-	*	
2.0 HDi (RHH (DW10CTED4))	Diesel	FWD	1997	120	163	06.09-	*	
407 (6D_) 02.04-12.13					Sedán (Large family car-D Segment)			
2.0 HDi (6DRHLG, 6DRHLE) (RHL (DW10BTED4))	Diesel	FWD	1997	93	126	11.04-10.07	*	
2.0 HDi 135 (6DRHRH, 6DRHRE, 6DRHRG, 6DRHRJ) (RHR (DW10BTED4))	Diesel	FWD	1997	100	136	05.04-10.10	*	
2.0 HDi (6DRHRH) (RHR (DW10BTED4))	Diesel	FWD	1997	103	140	06.09-12.10	*	
2.0 HDi	Diesel	FWD	1997	110	150	02.10-	*	
2.0 HDi (6DRHHA) (RHH (DW10CTED4))	Diesel	FWD	1997	120	163	06.09-12.10	*	
407 SW (6E_, 6D_) 05.04-					[CAMBIADO]:Break (Large family car-D Segment)			
2.0 HDi (RHL (DW10BTED4))	Diesel	FWD	1997	93	126	11.04-10.07	*	
2.0 HDi 135 (RHR (DW10BTED4))	Diesel	FWD	1997	100	136	07.04-12.10	*	
2.0 HDi (RHR (DW10BTED4))	Diesel	FWD	1997	103	140	08.08-12.10	*	
2.0 HDi	Diesel	FWD	1997	110	150	02.10-	*	
2.0 HDi (RHH (DW10CTED4))	Diesel	FWD	1997	120	163	06.09-12.10	*	
407 SW (6E_) 08.04-12.10					[CAMBIADO]:Furgón/Break (Large family car-D Segment)			
2.0 HDi (RHR (DW10BTED4))	Diesel	FWD	1997	103	140	06.09-12.10	*	
2.0 HDi (RHH (DW10CTED4))	Diesel	FWD	1997	120	163	06.09-12.10	*	

LISTA DE APLICACIONES - BUYERS GUIDE

508 (8D_) 11.10-					Sedán (Large family car-D Segment)			
1.6 VTi (5FH (EP6C))		Gasolina	FWD	1598	85	116	11.10-12.18	*
1.6 VTi (5FS (EP6C))		Gasolina	FWD	1598	88	120	11.10-12.18	*
1.6 THP (5FN (EP6CDT))		Gasolina	FWD	1598	110	150	11.10-12.18	*
1.6 THP (5FV (EP6CDT))		Gasolina	FWD	1598	115	156	11.10-12.18	*
1.6 THP (5GZ (EP6FDT))		Gasolina	FWD	1598	120	163	01.12-12.18	*
1.6 THP (5GZ (EP6FDT))		Gasolina	FWD	1598	121	165	09.11-12.18	*
2.0 HDi Hybrid4 AWC (RHC (DW10CTED4))		Diesel/el éc.	4WD	1997	120	163	11.10-12.18	*
2.0 HDi Hybrid4 AWC (RHC (DW10CTED4))		Diesel/el éc.	4WD	1997	147	200	11.10-12.18	*
1.6 HDi (9HL (DV6C))		Diesel	FWD	1560	82	112	11.10-12.18	*
1.6 HDi (9HR (DV6C))		Diesel	FWD	1560	82	112	11.10-12.18	*
1.6 HDi (9HD (DV6CTED))		Diesel	FWD	1560	84	115	02.12-12.18	*
1.6 HDi (BHX (DV6FC))		Diesel	FWD	1560	85	116	09.14-12.18	*
1.6 BlueHDi 120 (BHZ (DV6FC))		Diesel	FWD	1560	88	120	03.14-12.18	*
2.0 HDi (RHR (DW10BTED4))		Diesel	FWD	1997	100	136	11.10-12.18	*
2.0 HDi (RHA (DW10CTED4))		Diesel	FWD	1997	103	140	11.10-12.18	*
2.0 HDi (RHF (DW10BTED4))		Diesel	FWD	1997	103	140	11.10-12.18	*
2.0 BlueHDi 150 (AHX (DW10FD))		Diesel	FWD	1997	110	150	04.14-12.18	*
2.0 HDi (RHH (DW10CTED4))		Diesel	FWD	1997	120	163	11.10-12.18	*
2.0 BlueHDi 180 (AHW (DW10FC))		Diesel	FWD	1997	133	180	04.14-12.18	*
2.2 HDi (4HL (DW12C))		Diesel	FWD	2179	150	204	11.10-12.18	*
					[CAMBIADO]:Break (Large family car-D Segment)			
508 SW (8E_) 11.10-								
1.6 VTi (5FH (EP6C))		Gasolina	FWD	1598	85	116	11.10-12.18	*
1.6 VTi (5FS (EP6C))		Gasolina	FWD	1598	88	120	11.10-12.18	*
1.6 THP (5FE (EP6CDTM))		Gasolina	FWD	1598	110	150	11.10-12.18	*
1.6 THP (5FN (EP6CDT))		Gasolina	FWD	1598	110	150	11.10-12.18	*
1.6 THP (5FV (EP6CDT))		Gasolina	FWD	1598	115	156	11.10-12.18	*
1.6 (5GZ (EP6FDT))		Gasolina	FWD	1598	121	165	02.12-12.18	*
2.0 HDi RXH Hybrid4		Gasol./el éc.	4WD	1997	147	200	12.11-	*
2.0 HDi RXH Hybrid4 (RHC (DW10CTED4))		Diesel/el éc.	4WD	1997	147	200	11.10-12.18	*
1.6 HDi (9HL (DV6C))		Diesel	FWD	1560	82	112	11.10-12.18	*
1.6 HDi (9HR (DV6C))		Diesel	FWD	1560	82	112	11.10-12.18	*
1.6 HDi (9HL (DV6C))		Diesel	FWD	1560	84	115	02.12-12.18	*
1.6 HDi (9HR (DV6C))		Diesel	FWD	1560	84	115	02.12-12.18	*
1.6 HDi (BHX (DV6FC))		Diesel	FWD	1560	85	116	09.14-12.18	*
1.6 BlueHDi 120 (BHZ (DV6FC))		Diesel	FWD	1560	88	120	03.14-12.18	*
2.0 HDi (RHR (DW10BTED4))		Diesel	FWD	1997	100	136	11.10-12.18	*
2.0 HDi (RHA (DW10CTED4))		Diesel	FWD	1997	103	140	11.10-12.18	*
2.0 HDi (RHF (DW10BTED4))		Diesel	FWD	1997	103	140	11.10-12.18	*
2.0 BlueHDi 150 (AHX (DW10FD))		Diesel	FWD	1997	110	150	04.14-12.18	*
2.0 HDi (RHH (DW10CTED4))		Diesel	FWD	1997	120	163	11.10-12.18	*
2.0 BlueHDi 180 (AHW (DW10FC))		Diesel	FWD	1997	133	180	04.14-12.18	*
2.0 HDi 180 RXH		Diesel	FWD	1997	133	181	10.14-12.18	*
2.2 HDi (4HL (DW12C))		Diesel	FWD	2179	150	204	11.10-12.18	*
					[CAMBIADO]:Furgón/Break (Large family car-D Segment)			
508 SW (8E_) 11.11-								
1.6 HDi (9HL (DV6C))		Diesel	FWD	1560	84	114	03.13-12.18	*
2.0 HDi (RHF (DW10BTED4))		Diesel	FWD	1997	103	140	03.13-12.18	*
2.0 HDi (RHH (DW10CTED4))		Diesel	FWD	1997	120	163	03.13-12.18	*

LISTA DE APLICACIONES - BUYERS GUIDE

2.2 HDi (4HL (DW12C))	Diesel	FWD	2179	150	204	11.11-	*	
PEUGEOT (DF-PSA)								
508 07.11-							Sedán (Large family car-D Segment)	
2.0	Gasolina	FWD	1997	108	147	07.11-	*	
2.3	Gasolina	FWD	2253	126	171	07.11-	*	
1.6 THP	Gasolina	FWD	10598	123	167	01.15-	*	