

LISTA DE APLICACIONES - BUYERS GUIDE

RB1886

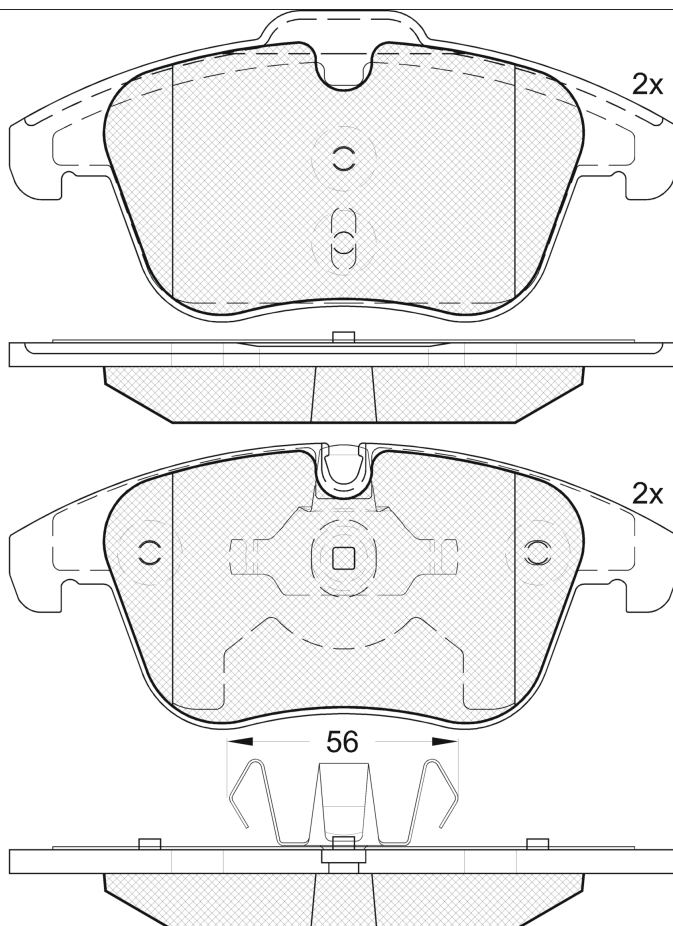


8 424073 135889

Qty: 300

Weight: 2.090

O.E.M.	MAKE
16 101 037 80	PEUGEOT
16 478 629 80	PEUGEOT
16 478 633 80	PEUGEOT
1610103880	CITROËN
4254.03	CITROËN
4254.24	CITROËN
86 60 000 777	RENAULT
86 60 004 543	RENAULT



RB1886

E 9 90R-01111/2502



Ate - Teves

155.2x66.44x19.2

155.2x72.27x19.2

WVA

24084

24332

Sin Filas



Trac.	CC	Kw	CV
-------	----	----	----



Front / Rear

CITROËN

							[CAMBIADO]: Break (Large family car-D Segment)			
C5 II (RW_) 02.08-										
1.6 VTI 120 (5FS (EP6C))		Gasolina	FWD	1598	88	120	07.10-06.15	*		
1.6 THP 150 (5FN (EP6CDT))		Gasolina	FWD	1598	110	150	04.09-07.16	*		
1.6 THP 155 (5FV (EP6CDT))		Gasolina	FWD	1598	115	156	04.09-07.16	*		
1.8 i 16V (RW6FYC) (6FY (EW7A))		Gasolina	FWD	1749	92	125	02.08-10.10	*		
2.0 i 16V (RWRFJC, RWRFJF) (RFJ (EW10A))		Gasolina	FWD	1997	103	140	02.08-10.14	*		
2.0 16V		Gasolina	FWD	1997	105	143	04.08-12.12	*		
2.0 16V BioFlex (RFJ (EW10A))		Gasol./Etanol	FWD	1997	103	140	02.08-06.10	*		
1.6 HDi 110 (RW9HZC) (9HZ (DV6TED4))		Diesel	FWD	1560	80	109	02.08-10.10	*		
1.6 HDi 110 (9HL (DV6C))		Diesel	FWD	1560	82	112	07.10-05.12	*		
1.6 HDi 110 (9HR (DV6C))		Diesel	FWD	1560	82	112	07.10-05.12	*		
1.6 HDi 115 (9HL (DV6C))		Diesel	FWD	1560	84	114	06.12-06.15	*		
1.6 HDi 115 (9HR (DV6C))		Diesel	FWD	1560	84	114	06.12-06.15	*		
2.0 HDi (RHR (DW10BTED4))		Diesel	FWD	1997	100	136	02.08-06.14	*		
2.0 HDi 140 (RHF (DW10BTED4))		Diesel	FWD	1997	103	140	04.09-06.15	*		
2.0 HDi 150 / BlueHDi 150 (RWRHEJ, RWRHE8) (AHR (DW10FD))		Diesel	FWD	1997	110	150	04.09-05.17	*		
2.0 HDi 150 / BlueHDi 150 (RWRHEJ, RWRHE8) (RHE (DW10CTED4))		Diesel	FWD	1997	110	150	04.09-05.17	*		
2.0 HDi 165 (RHH (DW10CTED4))		Diesel	FWD	1997	120	163	04.09-07.16	*		
C5 II (RD_) 02.08-							Sedán (Large family car-D Segment)			
1.6 VTI 120 (RD5FS8, RD5FSA) (5FS (EP6C))		Gasolina	FWD	1598	88	120	07.10-06.15	*		
1.6 THP 150 (RD5FN8, RD5FNA) (5FN (EP6CDT))		Gasolina	FWD	1598	110	150	07.10-07.16	*		
1.6 THP 155 (RD5FV8, RD5FNA) (5FV (EP6CDT))		Gasolina	FWD	1598	115	156	04.09-07.16	*		

LISTA DE APLICACIONES - BUYERS GUIDE

1.8 16V (RD6FXC) (6FY (EW7A))		Gasolina	FWD	1749	92	125	02.08-10.10	*
2.0 16V (RDRFJC, RDRFJF) (RFJ (EW10A))		Gasolina	FWD	1997	103	140	02.08-10.14	*
2.0 16V (RDRFJF)		Gasolina	FWD	1997	105	143	04.08-12.12	*
2.0 16V BioFlex (RDRFJF) (RFJ (EW10A))		Gasol./Etanol	FWD	1997	103	140	02.08-12.12	*
1.6 HDi 110 (RD9HZC) (9HZ (DV6TED4))		Diesel	FWD	1560	80	109	02.08-10.10	*
1.6 HDi 110 (RD9HL0, RD9HR8, RD9HRA) (9HL (DV6C))		Diesel	FWD	1560	82	112	07.10-05.12	*
1.6 HDi 110 (RD9HL0, RD9HR8, RD9HRA) (9HR (DV6C))		Diesel	FWD	1560	82	112	07.10-05.12	*
1.6 HDi 115 (RD9HRA, RD9HLA, RD9HL0) (9HL (DV6C))		Diesel	FWD	1560	84	114	01.12-06.15	*
1.6 HDi 115 (RD9HRA, RD9HLA, RD9HL0) (9HR (DV6C))		Diesel	FWD	1560	84	114	01.12-06.15	*
2.0 HDi (RDRHD8, RDRHDJ, RDRHR8, RDRHRJ) (RHF (DW10BTED4))		Diesel	FWD	1997	100	136	02.08-06.14	*
2.0 HDi (RDRHD8, RDRHDJ, RDRHR8, RDRHRJ) (RHR (DW10BTED4))		Diesel	FWD	1997	100	136	02.08-06.14	*
2.0 HDi 140 (RDRHF8, RDRHFA, RDRHA8, RDRHAJ) (RHF (DW10BTED4))		Diesel	FWD	1997	103	140	11.08-06.15	*
2.0 HDi 150 / BlueHdi 150 (RWRHEJ, RWRHE8) (AHR (DW10FD))		Diesel	FWD	1997	110	150	04.09-05.17	*
2.0 HDi 150 / BlueHdi 150 (RWRHEJ, RWRHE8) (RHE (DW10CTED4))		Diesel	FWD	1997	110	150	04.09-05.17	*
2.0 HDi 165 (RDRHHA, RDRHH8) (RHH (DW10CTED4))		Diesel	FWD	1997	120	163	04.09-07.16	*
PEUGEOT								
407 (6C_) 10.05-						Coupé (Large family car-D Segment)		
2.0 HDi (RHH (DW10CTED4))		Diesel	FWD	1997	120	163	06.09-	*
407 (6D_) 02.04-12.13						Sedán (Large family car-D Segment)		
2.0 HDi (6DRHLG, 6DRHLE) (RHL (DW10BTED4))		Diesel	FWD	1997	93	126	11.04-10.07	*
2.0 HDi 135 (6DRHRH, 6DRHRE, 6DRHRG, 6DRHRJ) (RHR (DW10BTED4))		Diesel	FWD	1997	100	136	05.04-10.10	*
2.0 HDi (6DRHRH) (RHR (DW10BTED4))		Diesel	FWD	1997	103	140	06.09-12.10	*
2.0 HDi (6DRHHA) (RHH (DW10CTED4))		Diesel	FWD	1997	120	163	06.09-12.10	*
407 SW (6E_, 6D_) 05.04-						[CAMBIADO]:Break (Large family car-D Segment)		
2.0 HDi (RHL (DW10BTED4))		Diesel	FWD	1997	93	126	11.04-10.07	*
2.0 HDi 135 (RHR (DW10BTED4))		Diesel	FWD	1997	100	136	07.04-12.10	*
2.0 HDi (RHR (DW10BTED4))		Diesel	FWD	1997	103	140	08.08-12.10	*
2.0 HDi (RHH (DW10CTED4))		Diesel	FWD	1997	120	163	06.09-12.10	*
407 SW (6E_) 08.04-12.10						[CAMBIADO]:Furgón/Break (Large family car-D Segment)		
2.0 HDi (RHR (DW10BTED4))		Diesel	FWD	1997	103	140	06.09-12.10	*
2.0 HDi (RHH (DW10CTED4))		Diesel	FWD	1997	120	163	06.09-12.10	*
508 (8D_) 11.10-						Sedán (Large family car-D Segment)		
1.6 VTi (5FH (EP6C))		Gasolina	FWD	1598	85	116	11.10-12.18	*
1.6 VTi (5FS (EP6C))		Gasolina	FWD	1598	88	120	11.10-12.18	*
1.6 THP (5FN (EP6CDT))		Gasolina	FWD	1598	110	150	11.10-12.18	*
1.6 THP (5FV (EP6CDT))		Gasolina	FWD	1598	115	156	11.10-12.18	*
1.6 THP (5GZ (EP6FDT))		Gasolina	FWD	1598	120	163	01.12-12.18	*
1.6 THP (5GZ (EP6FDT))		Gasolina	FWD	1598	121	165	09.11-12.18	*
2.0 HDi Hybrid4 AWC (RHC (DW10CTED4))		Diesel/eléc.	4WD	1997	120	163	11.10-12.18	*
2.0 HDi Hybrid4 AWC (RHC (DW10CTED4))		Diesel/eléc.	4WD	1997	147	200	11.10-12.18	*
1.6 HDi (9HL (DV6C))		Diesel	FWD	1560	82	112	11.10-12.18	*
1.6 HDi (9HR (DV6C))		Diesel	FWD	1560	82	112	11.10-12.18	*
1.6 HDi (9HD (DV6CTED))		Diesel	FWD	1560	84	115	02.12-12.18	*

LISTA DE APLICACIONES - BUYERS GUIDE

1.6 HDi (BHX (DV6FC))		Diesel	FWD	1560	85	116	09.14-12.18	*	
1.6 BlueHDi 120 (BHZ (DV6FC))		Diesel	FWD	1560	88	120	03.14-12.18	*	
2.0 HDi (RHR (DW10BTED4))		Diesel	FWD	1997	100	136	11.10-12.18	*	
2.0 HDi (RHA (DW10CTED4))		Diesel	FWD	1997	103	140	11.10-12.18	*	
2.0 HDi (RHF (DW10BTED4))		Diesel	FWD	1997	103	140	11.10-12.18	*	
2.0 BlueHDi 150 (AHX (DW10FD))		Diesel	FWD	1997	110	150	04.14-12.18	*	
2.0 HDi (RHH (DW10CTED4))		Diesel	FWD	1997	120	163	11.10-12.18	*	
2.0 BlueHDi 180 (AHW (DW10FC))		Diesel	FWD	1997	133	180	04.14-12.18	*	
2.2 HDi (4HL (DW12C))		Diesel	FWD	2179	150	204	11.10-12.18	*	
508 SW (8E_) 11.10-							[CAMBIADO]:Break (Large family car-D Segment)		
1.6 VTi (5FH (EP6C))		Gasolina	FWD	1598	85	116	11.10-12.18	*	
1.6 VTi (5FS (EP6C))		Gasolina	FWD	1598	88	120	11.10-12.18	*	
1.6 THP (5FE (EP6CDTM))		Gasolina	FWD	1598	110	150	11.10-12.18	*	
1.6 THP (5FN (EP6CDT))		Gasolina	FWD	1598	110	150	11.10-12.18	*	
1.6 THP (5FV (EP6CDT))		Gasolina	FWD	1598	115	156	11.10-12.18	*	
1.6 (5GZ (EP6FDT))		Gasolina	FWD	1598	121	165	02.12-12.18	*	
2.0 HDi RXH Hybrid4		Gasol./el éc.	4WD	1997	147	200	12.11-	*	
2.0 HDi RXH Hybrid4 (RHC (DW10CTED4))		Diesel/el éc.	4WD	1997	147	200	11.10-12.18	*	
1.6 HDi (9HL (DV6C))		Diesel	FWD	1560	82	112	11.10-12.18	*	
1.6 HDi (9HR (DV6C))		Diesel	FWD	1560	82	112	11.10-12.18	*	
1.6 HDi (9HL (DV6C))		Diesel	FWD	1560	84	115	02.12-12.18	*	
1.6 HDi (9HR (DV6C))		Diesel	FWD	1560	84	115	02.12-12.18	*	
1.6 HDi (BHX (DV6FC))		Diesel	FWD	1560	85	116	09.14-12.18	*	
1.6 BlueHDi 120 (BHZ (DV6FC))		Diesel	FWD	1560	88	120	03.14-12.18	*	
2.0 HDi (RHR (DW10BTED4))		Diesel	FWD	1997	100	136	11.10-12.18	*	
2.0 HDi (RHA (DW10CTED4))		Diesel	FWD	1997	103	140	11.10-12.18	*	
2.0 HDi (RHF (DW10BTED4))		Diesel	FWD	1997	103	140	11.10-12.18	*	
2.0 BlueHDi 150 (AHX (DW10FD))		Diesel	FWD	1997	110	150	04.14-12.18	*	
2.0 HDi (RHH (DW10CTED4))		Diesel	FWD	1997	120	163	11.10-12.18	*	
2.0 BlueHDi 180 (AHW (DW10FC))		Diesel	FWD	1997	133	180	04.14-12.18	*	
2.0 HDi 180 RXH		Diesel	FWD	1997	133	181	10.14-12.18	*	
2.2 HDi (4HL (DW12C))		Diesel	FWD	2179	150	204	11.10-12.18	*	
508 SW (8E_) 11.11-							[CAMBIADO]:Furgón/Break (Large family car-D Segment)		
1.6 HDi (9HL (DV6C))		Diesel	FWD	1560	84	114	03.13-12.18	*	
2.0 HDi (RHF (DW10BTED4))		Diesel	FWD	1997	103	140	03.13-12.18	*	
2.0 HDi (RHH (DW10CTED4))		Diesel	FWD	1997	120	163	03.13-12.18	*	
2.2 HDi (4HL (DW12C))		Diesel	FWD	2179	150	204	11.11-	*	