

# LISTA DE APLICACIONES - BUYERS GUIDE

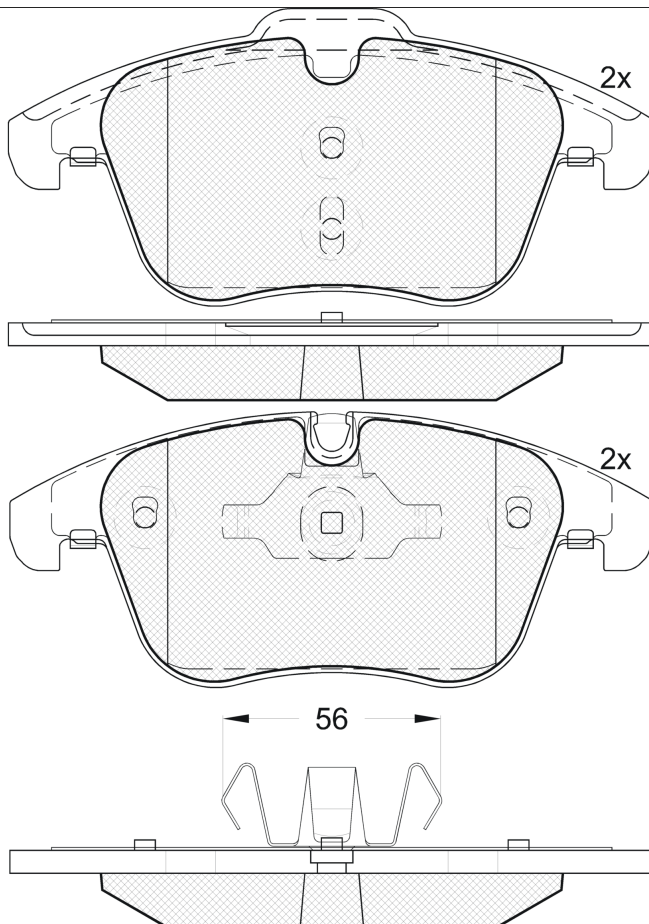
## RB1885



Qty: 300

Weight: 2.020

O.E.M.	MAKE
10248966	MG (SAIC)
C2C 27290	JAGUAR
C2C 35612	JAGUAR
C2C 39929	JAGUAR
C2C 42014	JAGUAR



## RB1885

**E 9** 90R-01111/2554



Ate - Teves

155.2x66.45x19.3

155.9x71.7x19.3

WVA	FMSI
24084	D1241-8358
24085	
24326	
24332	
24333	

Sin Filas



Trac.	CC	Kw	CV
-------	----	----	----



Front / Rear

### DAIMLER

#### SUPER EIGHT (X350) 09.05-12.09

#### Sedán (Luxury car-F Segment)

4.2 (AJ8FT)	Gasolina	RWD	4196	291	395	09.05-12.09	*
-------------	----------	-----	------	-----	-----	-------------	---

### JAGUAR

#### S-TYPE II (X200) 10.98-12.08

#### Sedán (Executive car-E Segment)

2.5 V6 (AJ25)	Gasolina	RWD	2497	147	200	04.02-10.07	*
2.5 V6 (JB (AJ-V6))	Gasolina	RWD	2497	147	200	04.02-10.07	*
3.0 V6 (AJ-V6)	Gasolina	RWD	2967	175	238	01.99-10.07	*
3.0 V6 (FB)	Gasolina	RWD	2967	175	238	01.99-10.07	*
4.0 V8 (AJ-V8)	Gasolina	RWD	3996	203	276	01.99-04.02	*
4.2 V8 (AJ8FT)	Gasolina	RWD	4196	219	298	04.02-10.07	*
R 4,2 V8 (AJ8FT)	Gasolina	RWD	4196	291	396	04.02-10.07	*
2.7 D (AJD)	Diesel	RWD	2720	152	207	06.04-10.07	*

#### XF (X250) 03.08-04.15

#### Sedán (Luxury car-F Segment)

2.0 (204PT)	Gasolina	RWD	1999	177	241	06.12-04.15	*
3.0 (AJ6WG)	Gasolina	RWD	2967	175	238	03.08-04.15	*
3.0	Gasolina	FWD	2967	179	243	03.08-04.15	*
3.0 (306PS)	Gasolina	RWD	2995	250	340	03.12-04.15	*
3.0 AWD (306PS)	Gasolina	4WD	2995	250	340	10.12-04.15	*
4.2 (SV82G)	Gasolina	RWD	4196	219	298	03.08-04.15	*
2.2 D (224DT)	Diesel	RWD	2179	120	163	04.11-04.15	*
2.2 D (224DT)	Diesel	RWD	2179	140	190	05.11-04.15	*
2.2 D (224DT)	Diesel	RWD	2179	147	200	03.12-04.15	*
2.7 D (AJD)	Diesel	RWD	2720	152	207	03.08-04.15	*

# LISTA DE APLICACIONES - BUYERS GUIDE

3.0 D (AJV6D)		Diesel	RWD	2993	155	211	03.09-04.15	*	
3.0 D (306DT)		Diesel	RWD	2993	177	241	03.09-04.15	*	
3.0 D (AJV6D)		Diesel	RWD	2993	177	241	03.09-04.15	*	
3.0 D		Diesel	RWD	2993	177	241	03.12-	*	
3.0 D (306DT)		Diesel	RWD	2993	202	275	03.09-04.15	*	
3.0 D (AJV6D)		Diesel	RWD	2993	202	275	03.09-04.15	*	
<b>XF II SPORTBRAKE (X250) 09.12-12.15</b>							<b>[CAMBIADO]:Break (Luxury car-F Segment)</b>		
2.0 T (204PT)		Gasolina	RWD	1999	177	240	08.13-12.15	*	
2.2 D (224DT)		Diesel	RWD	2179	120	163	09.12-04.14	*	
2.2 D (224DT)		Diesel	RWD	2179	147	200	09.12-04.14	*	
3.0 D (306DT)		Diesel	RWD	2993	177	241	09.12-04.14	*	
3.0 D (AJV6D)		Diesel	RWD	2993	177	241	09.12-04.14	*	
3.0 D (306DT)		Diesel	RWD	2993	202	275	09.12-04.14	*	
3.0 D (AJV6D)		Diesel	RWD	2993	202	275	09.12-04.14	*	
<b>XJ (X350, X358) 03.03-03.09</b>							<b>Sedán (Luxury car-F Segment)</b>		
3.0 (AJ-V6)		Gasolina	RWD	2967	175	238	05.03-03.09	*	
3.0 (AJ-V6)		Gasolina	RWD	2967	179	243	04.04-01.07	*	
3.6 (RG (AJ-V8))		Gasolina	RWD	3555	190	258	05.03-03.09	*	
4.2 (AJ8FT)		Gasolina	RWD	4196	219	298	05.03-03.09	*	
4.2 (AJ8FR)		Gasolina	RWD	4196	224	305	05.07-03.09	*	
D 2.7 (AJD)		Diesel	RWD	2720	152	207	10.05-03.09	*	
<b>XK II (X150) 03.06-07.14</b>							<b>Cabrió (Grand Tourer-S Segment)</b>		
3.6 (RG (AJ-V8))		Gasolina	RWD	3555	190	258	10.07-07.14	*	
4.2 XK8 (AJ8FT)		Gasolina	RWD	4196	219	298	03.06-07.14	*	
4.2 XK (AJ8FT)		Gasolina	RWD	4196	224	305	02.08-07.14	*	
4.2		Gasolina	RWD	4196	291	396	09.07-12.09	*	
4.2 XKR (SV8TS)		Gasolina	RWD	4196	306	416	03.06-07.14	*	
4.2 XKR (SV8TS)		Gasolina	RWD	4196	313	426	08.06-07.14	*	
<b>XK II (X150) 03.06-12.14</b>							<b>Coupé (Grand Tourer-S Segment)</b>		
3.6 (RG (AJ-V8))		Gasolina	RWD	3555	190	258	07.07-07.14	*	
4.2 XK8 (AJ8FT)		Gasolina	RWD	4196	219	298	03.06-07.14	*	
4.2 XK (AJ8FT)		Gasolina	RWD	4196	224	305	02.08-07.14	*	
4.2 XKR (AJ8FT)		Gasolina	RWD	4196	291	396	03.06-07.14	*	
4.2 XKR (SV8TS)		Gasolina	RWD	4196	306	416	03.06-07.14	*	
4.2 XKR (SV8TS)		Gasolina	RWD	4196	313	426	08.06-07.14	*	
<b>MG</b>									
<b>EP 11.20-</b>							<b>[CAMBIADO]:Break (Compact car-C Segment)</b>		
EV (TZ204XS105K02)		Eléctrico	FWD		120	163	12.20-	*	
<b>MG 5 10.20-</b>							<b>[CAMBIADO]:Break (Supermini car-B Segment)</b>		
EV		Eléctrico	FWD		115	156	10.20-	*	
EV		Eléctrico	FWD		130	177	10.20-	*	
<b>MG ZS SUV (AZS1) 10.17-</b>							<b>SUV (Subcompact SUV-B Segment)</b>		
EV (CSA7001) (TZ204XS105K02)		Eléctrico	FWD		105	143	03.19-	*	
EV		Eléctrico	FWD		115	156	11.21-	*	
EV (ZS11)		Eléctrico	FWD		130	177	11.21-	*	
<b>R AUTO</b>									
<b>ER6 08.20-</b>							<b>Sedán ()</b>		
70D electric (TX204XS1152)		Eléctrico	FWD		135	184	08.20-	*	

# LISTA DE APLICACIONES - BUYERS GUIDE

## ROEWE (SAIC)

					<b>[CAMBIADO]:Break (Compact car-C Segment)</b>				
<b>Ei5 03.18-</b>									
EV (TZ204XS85K02)		Eléctrico	FWD		85	116	03.18-	*	
EV (TZ204XS1152)		Eléctrico	FWD		135	184	09.20-	*	
EV (TZ204XS1152)		Eléctrico	FWD		135	184	03.21-	*	
<b>ei6 MAX 09.20-</b>					<b>Sedán ()</b>				
PHEV (15E4E)		Gasol./el éc.	FWD	1490	124	169	09.20-	*	
PHEV (15E4E)		Gasol./el éc.	FWD	1490	224	305	09.20-	*	
<b>ei6 PLUS 07.19-</b>					<b>Sedán ()</b>				
50T Plus-in Hybrid (15E4E)		Gasol./el éc.	FWD	1490	124	169	07.19-	*	
<b>i5 10.18-</b>					<b>Sedán (Compact car-C Segment)</b>				
1.5 (15E4E)		Gasolina	FWD	1490	124	169	10.18-	*	
1.5 (15S4C)		Gasolina	FWD	1498	88	120	04.21-	*	
1.5		Gasolina	FWD	1498	888	120	10.18-	*	
<b>i6 MAX 09.20-</b>					<b>Sedán ()</b>				
300TGI (15C4E)		Gasolina	FWD	1490	127	173	09.20-	*	
<b>i6 PLUS 03.19-</b>					<b>Sedán ()</b>				
20t (15E4E)		Gasolina	FWD	1490	124	169	03.19-	*	