

LISTA DE APLICACIONES - BUYERS GUIDE

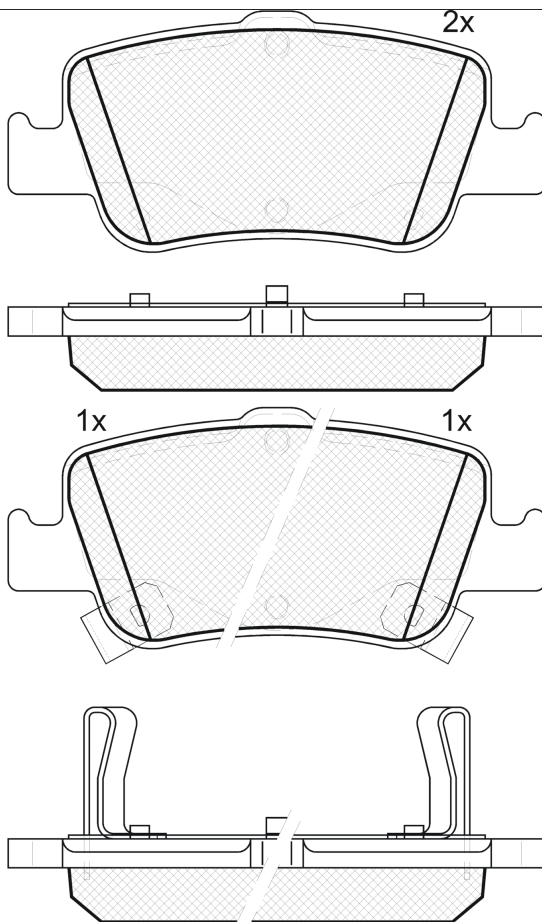
RB1870



Qty: 944

Weight: 905

O.E.M.	MAKE
04466-02170	TOYOTA
04466-02180	TOYOTA
04466-02181	TOYOTA
04466-02182	TOYOTA
04466-02190	TOYOTA
04466-02191	TOYOTA
04466-02280	TOYOTA
04466-02290	TOYOTA
04466-02291	TOYOTA
04466-02292	TOYOTA
04466-02300	TOYOTA
04466-YZZE3	TOYOTA
86 60 000 770	RENAULT
86 60 004 433	RENAULT



RB1870

E 9 90R-01110/2339



Bosch

102.3x45.89x16.5

WVA	FMSI
24664	D1572-8781
24665	
24666	

Sin Filas



Trac.	CC	Kw	CV		
				Front / Rear	

TOYOTA

AURIS (NDE15_) 12.06-04.13						[CAMBIADO]:Furgón (LCVs-N1 Segment)		
1.4 D-4D	Diesel	RWD	1364	66	90	03.07-04.13		*
AURIS (_E15_) 03.07-09.12						Furgón/hatchback (LCVs-N1 Segment)		
1.4 D-4D (NDE150) (1ND-TV)	Diesel	FWD	1364	66	90	03.07-09.12		*
AURIS II (_E18_) 07.13-						[CAMBIADO]:Break (Compact car-C Segment)		
1.2 (NRE185_, NRE185R, NRE185H) (8NR-FTS)	Gasolina	FWD	1197	85	116	03.15-12.18		*
1.3 Dual-VVTi (NRE180_, NRE180R) (1NR-FE)	Gasolina	FWD	1329	73	99	07.13-12.18		*
1.6 (ZRE185_) (1ZR-FAE)	Gasolina	FWD	1598	97	132	07.13-12.18		*
1.8 Hybrid (ZWE186_, ZWE186R, ZWE186H) (2ZR-FXE)	Gasol./el éc.	FWD	1798	100	136	07.13-12.18		*
1.4 D-4D (NDE180_) (1ND-TV)	Diesel	FWD	1364	66	90	07.13-12.18		*
1.6 D4-D (WWE185_) (1WW)	Diesel	FWD	1598	82	112	04.15-12.18		*
2.0 D-4D (ADE186_) (1AD-FTV)	Diesel	FWD	1998	91	124	07.13-04.15		*
AURIS II VAN (_E18_) 03.13-						Furgón/hatchback (LCVs-N1 Segment)		
1.4 D-4D (NDE180_) (1ND-TV)	Diesel	FWD	1364	66	90	03.13-12.18		*
AURIS II / COROLLA (_E18_) 10.12-						[CAMBIADO]:Fastback (Compact car-C Segment)		
1.2 (NRE185_, NRE185R) (8NR-FTS)	Gasolina	FWD	1197	85	116	03.15-12.18		*
1.3 Dual-VVTi (NRE180_, NRE180R) (1NR-FE)	Gasolina	FWD	1329	73	99	10.12-12.18		*
1.5	Gasolina	FWD	1497	77	105	10.12-		*
1.5	Gasolina	FWD	1497	80	109	10.12-		*
1.6 (ZRE181_, ZRE185_, ZRE185R, ZRE181R) (1ZR-FAE)	Gasolina	FWD	1598	97	132	10.12-12.18		*
1.8 (ZRE182_, ZRE182R) (2ZR-FE)	Gasolina	FWD	1798	103	140	10.12-12.18		*

LISTA DE APLICACIONES - BUYERS GUIDE

1.8 (ZRE186_, ZRE186R) (2ZR-FAE)	Gasolina	FWD	1798	106	144	10.12-12.18	*
1.8 Hybrid (ZWE186_, ZWE186R, ZWE186H) (2ZR-FXE)	Gasol./el éc.	FWD	1798	100	136	10.12-12.18	*
1.4 D-4D (NDE180_, NDE180R) (1ND-TV)	Diesel	FWD	1364	66	90	10.12-12.18	*
1.6 D4-D (WWE185_) (1WW)	Diesel	FWD	1598	82	112	04.15-12.18	*
2.0 D-4D (ADE186_, ADE186R) (1AD-FTV)	Diesel	FWD	1998	91	124	10.12-04.15	*
AURIS / BLADE (_E15_) 10.06-01.13						[CAMBIADO]:Fastback (Compact car-C Segment)	
1.33 Dual-VVTi (NRE150_, NRE150R) (1NR-FE)	Gasolina	FWD	1329	73	99	01.10-09.12	*
1.33 Dual-VVTi (NRE150_, NRE150R) (1NR-FE)	Gasolina	FWD	1329	74	101	05.09-09.12	*
1.4 (ZZE150_, ZZE150R) (4ZZ-FE)	Gasolina	FWD	1398	71	97	03.07-09.12	*
1.5 4WD (NZE154_, NZE154R) (1NZ-FE)	Gasolina	4WD	1497	77	105	10.06-09.12	*
1.5 (NZE151_, NZE151N) (1NZ-FE)	Gasolina	FWD	1497	81	110	10.06-08.12	*
1.6 (ZRE151_, ZRE151R) (1ZR-FE)	Gasolina	FWD	1598	91	124	03.07-09.12	*
1.6 (ZRE151_, ZRE151R) (1ZR-FAE)	Gasolina	FWD	1598	97	132	05.09-09.12	*
1.8 4WD	Gasolina	FWD	1797	94	128	01.08-10.09	*
1.8 (ZRE152) (2ZR-FAE)	Gasolina	FWD	1798	100	136	10.06-09.12	*
1.8 (ZRE152) (2ZR-FE)	Gasolina	FWD	1798	100	136	10.06-09.12	*
1.8 4WD (ZRE154_, ZRE154N) (2ZR-FAE)	Gasolina	4WD	1798	100	136	10.06-10.09	*
1.8 (ZRE152_, ZRE152) (2ZR-FAE)	Gasolina	FWD	1798	106	144	02.09-09.12	*
1.8 (ZRE152_, ZRE152) (2ZR-FAE)	Gasolina	FWD	1798	108	147	02.09-09.12	*
1.8 Hybrid (ZWE150_, ZWE150R) (2ZR-FXE)	Gasol./el éc.	FWD	1798	100	136	09.10-09.12	*
1.4 D-4D (NDE150_, NDE150R) (1ND-TV)	Diesel	FWD	1364	66	90	03.07-09.12	*
2.0 D-4D (ADE150_, ADE150R) (1AD-FTV)	Diesel	FWD	1998	93	126	10.06-09.12	*
2.2 D (ADE157_, ADE151_, ADE151R, ADE157R) (2AD-FHV)	Diesel	FWD	2231	130	177	11.06-09.12	*
COROLLA X / ALTIS (_E15_) 10.06-						Sedán (Compact executive car-D Segment)	
1.4 D-4D (NDE150) (1ND-TV)	Diesel	FWD	1364	66	90	10.06-07.14	*
2.0 D-4D (ADE150) (1AD-FTV)	Diesel	FWD	1998	93	126	11.06-07.14	*
COROLLA XI / COROLLA ALTIS (_E18_, ZRE1_) 06.13-						Sedán (Compact executive car-D Segment)	
1.3 Dual-VVTi (NRE180_, NRE180R) (1NR-FE)	Gasolina	FWD	1329	73	99	06.13-12.18	*
1.6 (ZRE171) (1ZR-FE)	Gasolina	FWD	1598	89	121	10.13-12.18	*
1.6 (ZRE171, ZRE181) (1ZR-FE)	Gasolina	FWD	1598	90	122	06.13-12.18	*
1.6 BiFuel	Gasolina	FWD	1598	90	122	06.13-	*
1.6 (ZRE181_) (1ZR-FAE)	Gasolina	FWD	1598	97	132	06.13-12.18	*
1.8 VVTi (ZRE172, ZRE182) (2ZR-FBE)	Gasolina	FWD	1798	103	140	06.13-08.19	*
1.8 VVTi (ZRE172, ZRE182) (2ZR-FE)	Gasolina	FWD	1798	103	140	06.13-08.19	*
1.8 Flex	Gasolina	FWD	1798	106	144	03.15-	*
1.8 VVT-i	Gasolina	FWD	1798	111	151	12.13-	*
2.0 VVT-i (ZRE173_) (3ZR-FE)	Gasolina	FWD	1987	105	143	10.13-12.18	*
2.0 VVT-i (ZRE173) (3ZR-FE)	Gasolina	FWD	1987	107	145	01.14-06.19	*
2.0 VVT-i CNG (ZRE173) (3ZR-FE)	Gasol./Gas (CNG)	FWD	1987	105	143	12.13-12.18	*
1.4 D-4D (NDE180_, NDE180R) (1ND-TV)	Diesel	FWD	1364	66	90	06.13-12.18	*
COROLLA XI / COROLLA AXIO (_E16_) 05.12-						Sedán (Compact executive car-D Segment)	
1.3 (NRE160)	Gasolina	FWD	1329	70	95	05.12-	*
1.5 4WD (NZE164)	Gasolina	4WD	1497	76	103	05.12-	*
1.5 (NZE161)	Gasolina	FWD	1497	80	109	05.12-	*
COROLLA XI / COROLLA FIELDER (_E16_) 05.12-						[CAMBIADO]:Break (Compact executive car-D Segment)	
1.5 Hybrid (NKE165G)	Gasol./el éc.	FWD	1496	54	73	10.14-	*

LISTA DE APLICACIONES - BUYERS GUIDE

TOYOTA (FAW)

COROLLA (_E18_) 06.14-					Sedán (Compact executive car-D Segment)			
1.2 (NRE181)	Gasolina	FWD	1197	85	116	09.16-	*	
1.6 (ZRE181)	Gasolina	FWD	1598	90	122	06.14-12.17	*	
1.8 (ZRE182)	Gasolina	FWD	1798	103	140	06.14-	*	
1.8 Hybrid	Gasol./el éc.	FWD	1798	73	99	10.15-	*	

TOYOTA (GAC)

LEVIN (_E18_) 03.19-					Sedán (Compact executive car-D Segment)			
Hybrid (ZWE183)	Gasol./el éc.	FWD	1798	73	99	03.19-	*	

LEVIN (ZRE18_, ZWE18_) 10.15-					Sedán (Supermini car-B Segment)			
1.2 T (NRE181)	Gasolina	FWD	1197	85	116	11.16-	*	
1.6 (ZRE181)	Gasolina	FWD	1598	90	122	07.14-12.16	*	
1.8 (ZRE182)	Gasolina	FWD	1798	103	140	07.14-	*	
1.8 Hybrid	Gasol./el éc.	FWD	1798	73	99	07.14-	*	