

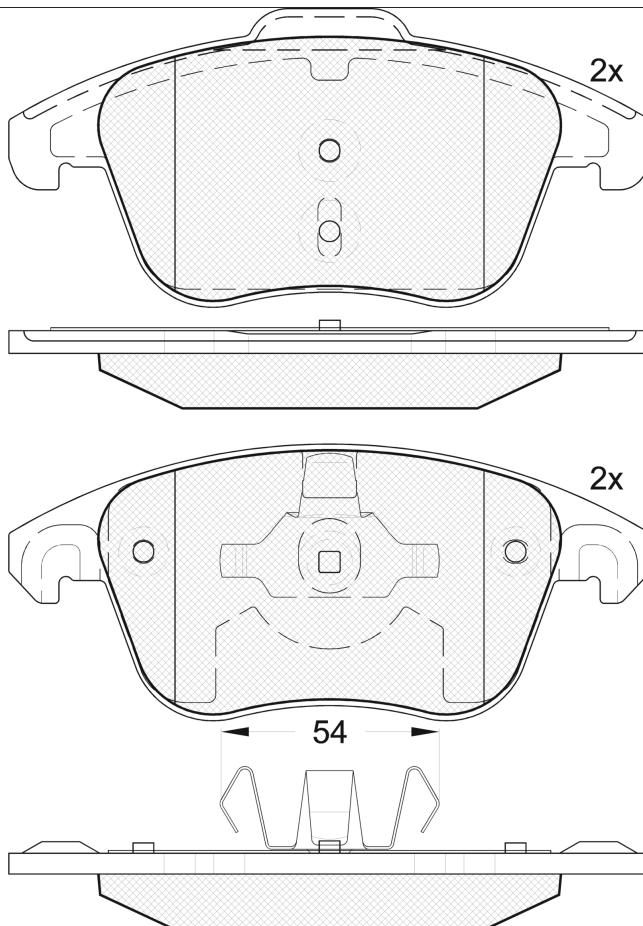
LISTA DE APLICACIONES - BUYERS GUIDE

RB1866-200



Qty: 300

Weight: 2.025



RB1866-200

E 9 90R-02A0111/3829



Ate - Teves

155.2x66.97x18.9

155.2x72.27x18.9

WVA

24557

24558

26145

Sin Filas

O.E.M.	MAKE
16 099 879 80	PEUGEOT
16 364 111 80	DS
16 759 012 80	PEUGEOT
1647874180	PEUGEOT



Trac.	CC	Kw	CV
-------	----	----	----



Front / Rear

CITROËN

						[CAMBIADO]:Fastback (Compact car-C Segment)			
C4 (LC_) 11.04-12.14									
2.0 16V (RFK (EW10J4S))		Gasolina	FWD	1997	130	177	11.04-07.08	*	
2.0 HDi (RHR (DW10BTED4))		Diesel	FWD	1997	100	136	11.04-07.11	*	
2.0 HDi (RHF (DW10BTED4))		Diesel	FWD	1997	103	140	07.08-07.11	*	
C4 (LA_) 11.04-12.13						Coupé (Compact car-C Segment)			
2.0 16V (RFK (EW10J4S))		Gasolina	FWD	1997	130	177	11.04-12.10	*	
2.0 HDi (RHR (DW10BTED4))		Diesel	FWD	1997	100	136	11.04-12.10	*	
2.0 HDi (RHF (DW10BTED4))		Diesel	FWD	1997	103	140	07.08-07.11	*	
C4 (LR_) 02.05-12.10						Furgón/hatchback (Compact car-C Segment)			
2.0 HDi (RHR (DW10BTED4))		Diesel	FWD	1997	100	136	02.05-12.10	*	
C4 II (NC_) 02.09-						[CAMBIADO]:Fastback (Compact car-C Segment)			
1.6 Flex		Gasolina	FWD	1587	81	110	11.09-	*	
1.6 Flex		Gasolina	FWD	1587	83	113	11.09-	*	
1.6 VTi 120 (NC5FS0, NC5FS9) (5FS (EP6C))		Gasolina	FWD	1598	88	120	11.09-12.16	*	
1.6 THP 155 (5FV (EP6CDT))		Gasolina	FWD	1598	115	156	11.09-12.16	*	
1.6 VTi 120 LPG (NC5FS0) (5FS (EP6C))		Gasol./Gas (LPG)	FWD	1598	88	120	09.11-	*	
1.6 HDi 110 (9HR (DV6C))		Diesel	FWD	1560	82	112	11.09-	*	
2.0 HDi / BlueHDi 150 (AHR (DW10FD))		Diesel	FWD	1997	110	150	11.09-	*	
2.0 HDi / BlueHDi 150 (RHE (DW10CTED4))		Diesel	FWD	1997	110	150	11.09-	*	
C4 III (BA_, BB_, BC_) 10.20-						[CAMBIADO]:Fastback (Compact car-C Segment)			
1.2 PureTech 100 (BAHNEA, BAHNKA)		Gasolina	FWD	1199	74	101	04.21-	*	

LISTA DE APLICACIONES - BUYERS GUIDE

1.2 PureTech 130 (BAHNSA, BAHNSB)		Gasolina	FWD	1199	96	131	10.20-	*
1.2 PureTech 155 (BAHNNB, BAHNJD)		Gasolina	FWD	1199	114	155	01.21-	*
ë-C4 (BCZKXC, BZCKSC)		Eléctrico	FWD		100	136	10.20-	*
BLUEHDI 110 (BBYHSA)		Diesel	FWD	1499	81	110	12.20-	*
1.5 BlueHDi 130 (BBYHZB)		Diesel	FWD	1499	96	131	10.20-	*
DS4 (NX_) 03.11-07.15					[CAMBIADO]:Fastback (Compact car-C Segment)			
2.0 HDi / BlueHDi 135 (AHS (DW10FD))		Diesel	FWD	1997	100	136	09.11-07.15	*
2.0 HDi / BlueHDi 135 (AHV (DW10FD))		Diesel	FWD	1997	100	136	09.11-07.15	*
2.0 HDi / BlueHDi 135 (RHD (DW10CB))		Diesel	FWD	1997	100	136	09.11-07.15	*
2.0 HDi / BlueHDi 135 (RHD (DW10CTED4))		Diesel	FWD	1997	100	136	09.11-07.15	*
DS5 09.11-12.16					[CAMBIADO]:Fastback (Compact executive car-D Segment)			
2.0 HDi 135 Hybrid4		Gasol./el éc.	4WD	1997	100	136	12.11-	*
DS								
DS 3 CROSSBACK (UR_, UC_, UJ_) 10.18-					[CAMBIADO]:Fastback (City car-A Segment)			
1.2 PureTech 100 (URHNKK, URHNEK) (HNK (EB2ADTD))		Gasolina	FWD	1199	74	101	10.18-	*
1.2 PureTech 130 (URHNSS) (HNS (EB2ADTS))		Gasolina	FWD	1199	96	131	10.18-	*
1.2 PureTech 155 (URHNNS) (HNN (EB2ADTX))		Gasolina	FWD	1199	115	156	10.18-12.22	*
E-TENSE (UZZKXZ) (ZKX)		Eléctrico	FWD		100	136	05.19-12.22	*
1.5 BlueHDi 100 (UCYHYJ) (YHY (DV5RD))		Diesel	FWD	1499	75	102	10.18-12.22	*
1.5 BlueHDi 110 (UCYHSK)		Diesel	FWD	1499	81	110	01.21-12.22	*
1.5 BlueHDi 130 (UCYHZR) (YHZ (DV5RC))		Diesel	FWD	1499	96	130	10.18-	*
DS 4 / DS 4 CROSSBACK (NX_) 07.15-					[CAMBIADO]:Fastback (Compact car-C Segment)			
1.6 THP160 (5FM (EP6CDTM))		Gasolina	FWD	1598	120	163	07.15-12.18	*
1.6 THP 165 (5GZ (EP6FDT))		Gasolina	FWD	1598	121	165	07.15-12.18	*
2.0 BlueHDi 180 (AHW (DW10FC))		Diesel	FWD	1997	133	180	07.15-12.18	*
OPEL								
MOKKA II 06.20-					SUV (Mini SUV-J Segment)			
MOKKA-e (76)		Eléctrico	FWD		100	136	06.20-	*
PEUGEOT								
2008 II (UD_, US_, UY_, UJ_, UR_, UC_) 08.19-					SUV (Compact SUV-J Segment)			
1.2 PureTech 100 (USHNK) (HNK (EB2ADTD))		Gasolina	FWD	1199	74	101	11.19-	*
1.2 PureTech 130 (USHNS, URHNS) (HNS (EB2ADTS))		Gasolina	FWD	1199	96	131	08.19-	*
1.2 THP / PureTech 155 (USHNNS, URHNNS, UXHNJP, URHNJP,...) (HNJ (EB2ADTXM))		Gasolina	FWD	1199	114	155	11.19-	*
1.2 THP / PureTech 155 (USHNNS, URHNNS, UXHNJP, URHNJP,...) (HNN (EB2ADTX))		Gasolina	FWD	1199	114	155	11.19-	*
1.2 THP / PureTech 155 (USHNNS, URHNNS, UXHNJP, URHNJP,...) (HNR (EB2ADTXM))		Gasolina	FWD	1199	114	155	11.19-	*
1.2 Hybrid 136 (URHPYC, USHPY)		Gasol./el éc.	FWD	1199	100	136	11.23-	*
e-2008 (UKZKXZ) (ZKX (ZK01))		Eléctrico	FWD		100	136	09.19-	*
e-2008 (UKZKWZ)		Eléctrico	FWD		115	156	04.23-	*
1.5 BlueHDi 100 (YHY (DV5RD))		Diesel	FWD	1499	75	102	08.19-	*
1.5 BlueHDI 110 (UDYHSK)		Diesel	FWD	1499	81	110	01.21-	*
1.5 BlueHDi 130 (YHZ (DV5RC))		Diesel	FWD	1499	96	131	08.19-	*
207 (WA_, WC_) 02.06-					[CAMBIADO]:Fastback (Supermini car-B Segment)			
1.6 16V RC (5FY (EP6DTS))		Gasolina	FWD	1598	128	174	02.07-12.12	*

LISTA DE APLICACIONES - BUYERS GUIDE

207 SW (WK_) 02.07-					[CAMBIADO]:Break (Supermini car-B Segment)			
1.6 16V RC (5FY (EP6DTS))	Gasolina	FWD	1598	128	174	02.07-12.12	*	
208 (CA_, CC_) 03.12-					[CAMBIADO]:Fastback (Supermini car-B Segment)			
1.6 VTi (5FS (EP6C))	Gasolina	FWD	1598	88	120	03.12-12.19	*	
1.6 THP (5FV (EP6CDT))	Gasolina	FWD	1598	115	156	03.12-12.19	*	
1.6 GTi (CA5FU8) (5FU (EP6CDTX))	Gasolina	FWD	1598	147	200	08.12-12.19	*	
1.6 GTI (5GR (EP6FDTX))	Gasolina	FWD	1598	153	208	10.14-12.19	*	
208 II (UB_, UP_, UW_, UJ_) 06.19-					[CAMBIADO]:Fastback (Supermini car-B Segment)			
1.2 PureTech 75 (HMH (EB2FAD))	Gasolina	FWD	1199	55	75	06.19-	*	
1.2 VTI 82	Gasolina	FWD	1199	60	82	06.19-	*	
1.2 PureTech 100 (HMK (EB2ADT))	Gasolina	FWD	1199	74	101	06.19-	*	
1.2 PureTech 130 (HNS (EB2ADTS))	Gasolina	FWD	1199	96	131	06.19-	*	
1.2 PureTech 130 (HNY (EB2DTS))	Gasolina	FWD	1199	96	131	06.19-	*	
1.6 VTI 115 (UWNFPW, UWNFJW)	Gasolina	FWD	1587	85	116	11.19-	*	
e-208 (ZKX (ZK01))	Eléctrico	FWD		100	136	06.19-	*	
1.5 BlueHdi 100 (YHY (DV5RD))	Diesel	FWD	1499	75	102	06.19-	*	
1.5 BlueHdi 130 (YHZ (DV5RC))	Diesel	FWD	1499	96	131	09.19-	*	
1.6 HDi 90 (UB9HPA)	Diesel	FWD	1560	68	92	10.19-	*	
3008 (OU_) 05.09-12.17					Furgoneta/MPV (Compact MPV-M1 Segment)			
HDi 150 (OURHEM)	Diesel	FWD	1997	110	150	06.09-08.16	*	
HDi (OURHHT)	Diesel	FWD	1997	120	163	06.09-08.16	*	
3008 (OU_) 05.09-12.17					MPV (Compact MPV-M1 Segment)			
1.6 THP (5FE (EP6CDTM))	Gasolina	FWD	1598	110	150	06.09-08.16	*	
1.6 THP (5FE (EP6CDTMD))	Gasolina	FWD	1598	110	150	06.09-08.16	*	
1.6 THP (5FX (EP6DT))	Gasolina	FWD	1598	110	150	06.09-08.16	*	
1.6 THP (5FV (EP6CDT))	Gasolina	FWD	1598	115	156	06.09-08.16	*	
1.6 THP (5FM (EP6CDTM))	Gasolina	FWD	1598	120	163	09.10-08.16	*	
1.6 Turbo (5GZ (EP6FDT))	Gasolina	FWD	1598	121	165	05.14-08.16	*	
2.0 BlueHdi 135 Hybrid	Diesel/el éc.	FWD	1997	100	136	01.15-12.16	*	
2.0 BlueHdi 135 Hybrid	Diesel/el éc.	FWD	1997	100	136	09.15-12.16	*	
2.0 BlueHdi 150 Hybrid	Diesel/el éc.	FWD	1997	110	150	01.15-12.16	*	
2.0 HDi Hybrid4 (RHC (DW10CTED4))	Diesel/el éc.	4WD	1997	120	163	02.11-08.16	*	
2.0 HDi 150 / BlueHdi 150 (RWRHEJ, RWRHE8) (AHX (DW10FD))	Diesel	FWD	1997	110	150	06.09-08.16	*	
2.0 HDi 150 / BlueHdi 150 (RWRHEJ, RWRHE8) (RHE (DW10CTED4))	Diesel	FWD	1997	110	150	06.09-08.16	*	
2.0 HDi (RHH (DW10CTED4))	Diesel	FWD	1997	120	163	06.09-08.16	*	
307 (3E) 03.02-					[CAMBIADO]:Break (Compact car-C Segment)			
2.0 16V (RFK (EW10J4S))	Gasolina	FWD	1997	130	177	06.05-04.08	*	
2.0 HDi 135 (RHR (DW10BTED4))	Diesel	FWD	1997	100	136	02.04-04.08	*	
307 (3A/C) 08.00-					[CAMBIADO]:Fastback (Compact car-C Segment)			
2.0 16V (RFK (EW10J4S))	Gasolina	FWD	1997	130	177	06.05-11.07	*	
2.0 HDi 135 (RHR (DW10BTED4))	Diesel	FWD	1997	100	136	10.03-11.07	*	
307 (3B) 03.03-06.09					Cabrio (Compact car-C Segment)			
2.0 16V (RFK (EW10J4S))	Gasolina	FWD	1997	130	177	10.03-04.09	*	
2.0 16V (RFK (EW10J4S))	Gasolina	FWD	1997	132	180	04.05-06.09	*	

LISTA DE APLICACIONES - BUYERS GUIDE

2.0 HDi 135 (RHR (DW10BTED4))	Diesel	FWD	1997	100	136	06.05-04.09	*
307 SW (3H) 03.02-				[CAMBIADO]:Break (Compact car-C Segment)			
2.0 HDi 135 (RHR (DW10BTED4))	Diesel	FWD	1997	100	136	02.04-04.08	*
307 SW (3E_, 3H_) 04.02-12.09				[CAMBIADO]:Furgón/Break (Compact car-C Segment)			
2.0 HDi (RHR (DW10BTED4))	Diesel	FWD	1997	100	136	04.04-11.07	*
308 (4A_, 4C_) 09.07-				[CAMBIADO]:Fastback (Compact car-C Segment)			
1.6 16V (5FX (EP6DT))	Gasolina	FWD	1598	110	150	09.07-10.14	*
1.6 THP 16V (5FV (EP6CDT))	Gasolina	FWD	1598	115	156	10.09-10.14	*
1.6	Gasolina	FWD	1598	120	163	01.12-12.15	*
1.6 16V (5FY (EP6DTS))	Gasolina	FWD	1598	128	174	03.08-10.14	*
1.6 GTI (EP6CDTX)	Gasolina	FWD	1598	147	200	07.10-10.14	*
2.0 HDi (RHR (DW10BTED4))	Diesel	FWD	1997	100	136	09.07-10.14	*
2.0 HDi (RHR (DW10CB))	Diesel	FWD	1997	100	136	09.07-10.14	*
2.0 HDi (RHR (DW10BTED4))	Diesel	FWD	1997	103	140	07.10-12.12	*
2.0 HDi (RHE (DW10CTED4))	Diesel	FWD	1997	110	150	10.11-10.14	*
2.0 HDi (RHH (DW10CTED4))	Diesel	FWD	1997	120	163	04.12-10.14	*
308 SW (4E_, 4H_) 09.07-				[CAMBIADO]:Break (Compact car-C Segment)			
1.6 16V (5FT (EP6DT))	Gasolina	FWD	1598	103	140	09.07-10.14	*
1.6 16V (5FX (EP6DT))	Gasolina	FWD	1598	110	150	09.07-10.14	*
1.6 THP 16V (5FV (EP6CDT))	Gasolina	FWD	1598	115	156	10.09-10.14	*
1.6 16V (5FY (EP6DTS))	Gasolina	FWD	1598	128	174	03.08-10.14	*
2.0	Gasolina	FWD	1997	103	140	01.08-12.11	*
2.0 Bioflex (RFJ (EW10A))	Gasol./Etanol	FWD	1997	103	140	01.08-12.11	*
2.0 HDi (RHR (DW10BTED4))	Diesel	FWD	1997	100	136	09.07-12.12	*
2.0 HDi (RHR (DW10BTED4))	Diesel	FWD	1997	103	140	09.07-10.14	*
2.0 HDi (RHE (DW10CTED4))	Diesel	FWD	1997	110	150	04.11-10.14	*
2.0 HDi (RHH (DW10CTED4))	Diesel	FWD	1997	120	163	06.09-10.14	*
308 CC (4B_) 02.09-				Cabrio (Compact car-C Segment)			
1.6 16V (5FT (EP6DT))	Gasolina	FWD	1598	103	140	06.09-12.14	*
1.6 16V (5FX (EP6DT))	Gasolina	FWD	1598	110	150	06.09-12.14	*
1.6 16V (5FV (EP6CDT))	Gasolina	FWD	1598	115	156	06.09-12.14	*
1.6 THP (EP6CDTX)	Gasolina	FWD	1598	147	200	10.10-12.14	*
2.0 CVVT (RFJ (EW10A))	Gasolina	FWD	1997	103	140	07.09-12.14	*
2.0 HDi (4BRHRH, 4BRHRJ) (RHR (DW10BTED4))	Diesel	FWD	1997	100	136	04.09-12.14	*
2.0 HDi (RHF (DW10BTED4))	Diesel	FWD	1997	103	140	04.09-12.12	*
2.0 HDi (RHH (DW10CTED4))	Diesel	FWD	1997	120	163	06.09-12.14	*
308 SW (4E_) 01.08-12.12				[CAMBIADO]:Furgón/Break (Compact car-C Segment)			
2.0 HDi (RHR (DW10BTED4))	Diesel	FWD	1997	100	136	01.08-12.11	*
RCZ 03.10-				Coupé (Compact car-C Segment)			
1.6 THP 150 (5FE (EP6CDTMD))	Gasolina	FWD	1598	110	150	03.11-12.15	*
1.6 16V (5FV (EP6CDT))	Gasolina	FWD	1598	115	156	03.10-12.15	*
2.0 HDi (RHH (DW10CTED4))	Diesel	FWD	1997	120	163	03.10-12.15	*
PEUGEOT (DF-PSA)							
2008 II (U_P24) 05.20-				Closed SUV (Compact SUV-J Segment)			
230 THP	Gasolina	FWD	1199	100	136	05.20-	*
EV	Eléctrico	FWD		120	163	05.20-	*

LISTA DE APLICACIONES - BUYERS GUIDE

VAUXHALL

MOKKA II 06.20-				SUV (Mini SUV-J Segment)			
MOKKA-e (76)	Eléctrico	FWD		100	136	06.20-	*