

# LISTA DE APLICACIONES - BUYERS GUIDE

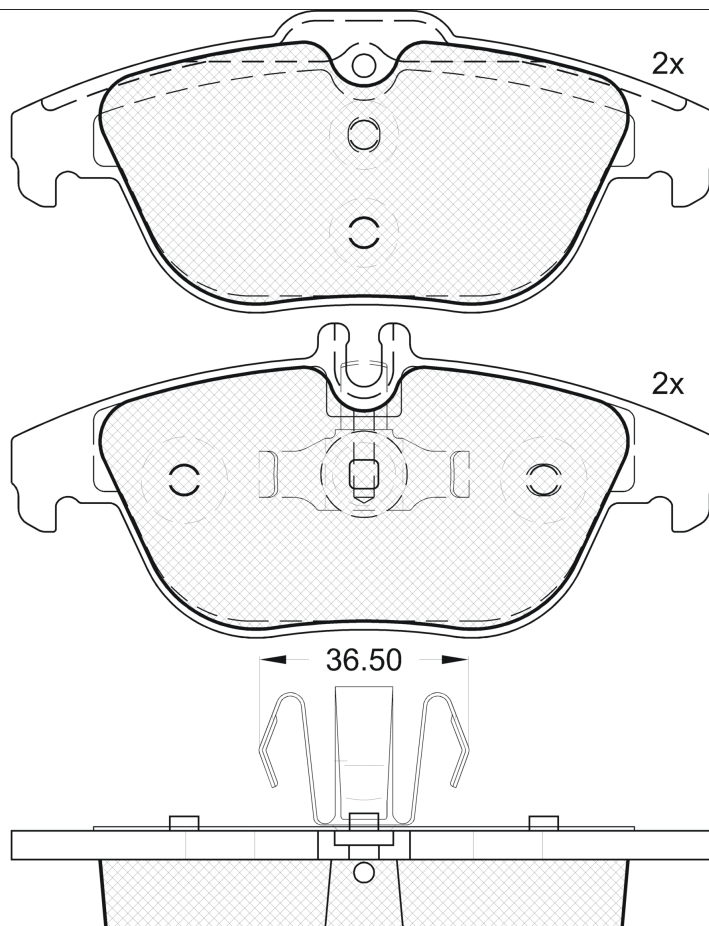
## RB1863



8 424073 135612

Qty: 300

Weight: 1.130



## RB1863

**E 9** 90R-01111/2291



Ate - Teves

122.6x52.51x17.8

122.6x54.71x17.8

O.E.M.	MAKE
0004200205	MERCEDES-BENZ
005 420 07 20	MERCEDES-BENZ
005 420 42 20	MERCEDES-BENZ
005 420 43 20	MERCEDES-BENZ
005 420 81 20	MERCEDES-BENZ
006 420 13 20	MERCEDES-BENZ
006 420 61 20	MERCEDES-BENZ
007 420 60 20	MERCEDES-BENZ
007 420 85 20	MERCEDES-BENZ

WVA	FMSI
24253	D1341-8452
24254	

Sin Filas



Trac.	CC	Kw	CV
-------	----	----	----



Front / Rear

### MERCEDES-BENZ

C-Class III (C204) 01.11-						Coupé (Compact executive car-D Segment)		
C 180 (204.331) (M 274.910)	Gasolina	RWD	1595	115	156	01.13-	*	
C 180 (204.349) (M 271.820)	Gasolina	RWD	1796	115	156	06.11-	*	
C 200 CGI (204.348) (M 271.860)	Gasolina	RWD	1796	135	184	06.11-	*	
C 250 (204.347) (M 271.860)	Gasolina	RWD	1796	150	204	06.11-	*	
C 350 (204.357) (M 276.957)	Gasolina	RWD	3498	225	306	06.11-	*	
C 350 4-matic (204.388) (M 276.957)	Gasolina	4WD	3498	225	306	09.13-	*	
C 220 CDI (204.302) (OM 651.911)	Diesel	RWD	2143	120	163	06.11-	*	
C 220 CDI (204.302) (OM 651.911)	Diesel	RWD	2143	125	170	06.11-	*	
C 250 CDI (204.303) (OM 651.911)	Diesel	RWD	2143	150	204	06.11-	*	
C-Class III (W204) 01.07-01.15						Sedán (Compact executive car-D Segment)		
C 180 CGI (204.031) (M 274.910)	Gasolina	RWD	1595	115	156	01.08-01.14	*	
C 180 Kompressor (204.046) (M 271.910)	Gasolina	RWD	1597	115	156	01.08-01.14	*	
C 180 CGI (204.049) (M 271.820)	Gasolina	RWD	1796	115	156	01.07-01.14	*	
C 180 Kompressor (204.046) (M 271.952)	Gasolina	RWD	1796	115	156	01.07-01.09	*	
C 200 CGI (204.048) (M 271.820)	Gasolina	RWD	1796	135	184	01.07-01.14	*	
C 200 CGI (204.048) (M 271.860)	Gasolina	RWD	1796	135	184	01.07-01.14	*	
C 200 Kompressor (204.041) (M 271.950)	Gasolina	RWD	1796	135	184	01.07-01.14	*	
C 200 (204.048) (M 271.820)	Gasolina	RWD	1796	137	186	05.11-01.14	*	
C 250 CGI (204.047) (M 271.860)	Gasolina	RWD	1796	150	204	07.09-01.14	*	
C 230 (204.052) (M 272.921)	Gasolina	RWD	2496	150	204	01.07-01.14	*	
C 230 4-matic (204.085) (M 272.911)	Gasolina	4WD	2496	150	204	07.07-01.14	*	
C 280 (204.054) (M 272.947)	Gasolina	RWD	2996	170	231	01.07-01.14	*	

# LISTA DE APLICACIONES - BUYERS GUIDE

C 280 4-matic (204.081) (M 272.948)		Gasolina	4WD	2996	170	231	07.07-01.14	*
C 300 (204.054) (M 272.947)		Gasolina	RWD	2996	170	231	07.09-01.14	*
C 300 4-matic (204.081) (M 272.948)		Gasolina	4WD	2996	170	231	07.07-01.14	*
C 300 (204.055) (M 276.957)		Gasolina	RWD	3498	185	252	02.11-01.14	*
C 300 4-matic (204.080) (M 276.957)		Gasolina	4WD	3498	185	252	02.11-01.14	*
C 350 (204.056) (M 272.961)		Gasolina	RWD	3498	200	272	01.07-01.14	*
C 350 4-matic (204.087) (M 272.971)		Gasolina	4WD	3498	200	272	07.07-01.14	*
C 350 CGI (204.065) (M 272.982)		Gasolina	RWD	3498	215	292	09.08-01.14	*
C 350 (204.057) (M 276.957)		Gasolina	RWD	3498	225	306	01.11-01.14	*
C 350 4-matic (204.088) (M 276.957)		Gasolina	4WD	3498	225	306	01.11-01.14	*
C 63 AMG (204.077) (M 156.985)		Gasolina	RWD	6208	336	457	02.08-01.14	*
C 63 AMG (204.077) (M 156.985)		Gasolina	RWD	6208	358	487	02.08-01.14	*
C 180 CDI (204.000) (OM 651.913)		Diesel	RWD	2143	88	120	04.10-03.14	*
C 200 CDI (204.001) (OM 651.913)		Diesel	RWD	2143	100	136	11.09-03.14	*
C 220 CDI (204.002) (OM 651.911)		Diesel	RWD	2143	120	163	10.08-01.14	*
C 220 CDI (204.002) (OM 651.911)		Diesel	RWD	2143	125	170	12.08-01.14	*
C 220 CDI 4-matic (204.084) (OM 651.912)		Diesel	4WD	2143	125	170	02.13-01.14	*
C 250 CDI (204.003) (OM 651.911)		Diesel	RWD	2143	150	204	08.08-01.14	*
C 250 CDI 4-matic (204.082) (OM 651.912)		Diesel	4WD	2143	150	204	01.11-01.14	*
C 200 CDI (204.007, 204.006) (OM 646.811)		Diesel	RWD	2148	100	136	01.07-12.09	*
C 200 CDI (204.007, 204.006) (OM 646.812)		Diesel	RWD	2148	100	136	01.07-12.09	*
C 220 CDI (204.008) (OM 646.811)		Diesel	RWD	2148	120	163	01.07-11.08	*
C 220 CDI (204.008) (OM 646.811)		Diesel	RWD	2148	125	170	01.07-11.08	*
C 320 CDI (204.022) (OM 642.960)		Diesel	RWD	2987	165	224	01.07-01.14	*
C 320 CDI 4-matic (204.089) (OM 642.961)		Diesel	4WD	2987	165	224	07.07-01.14	*
C 350 CDI (204.022) (OM 642.960)		Diesel	RWD	2987	165	224	07.09-01.14	*
C 350 CDI 4-matic (204.092) (OM 642.961)		Diesel	4WD	2987	165	224	07.09-01.14	*
C 300 CDI 4-matic (204.092) (OM 642.832)		Diesel	4WD	2987	170	231	01.11-01.14	*
C 350 CDI (204.025) (OM 642.830)		Diesel	RWD	2987	170	231	10.09-01.14	*
C 350 CDI 4-matic (204.092) (OM 642.832)		Diesel	4WD	2987	170	231	10.09-01.14	*
C 350 CDI (204.023) (OM 642.834)		Diesel	RWD	2987	195	265	06.11-01.14	*
<b>C-Class III T-Model (S204) 08.07-08.14</b>							<b>[CAMBIADO]:Break (Compact executive car-D Segment)</b>	
C 180 (204.231) (M 274.910)		Gasolina	RWD	1595	115	156	02.12-08.14	*
C 180 Kompressor (204.246) (M 271.910)		Gasolina	RWD	1597	115	156	01.08-08.14	*
C 180 CGI (204.249) (M 271.820)		Gasolina	RWD	1796	115	156	11.09-08.14	*
C 180 Kompressor (204.246) (M 271.952)		Gasolina	RWD	1796	115	156	08.07-08.14	*
C 200 CGI (204.248) (M 271.820)		Gasolina	RWD	1796	135	184	08.07-08.14	*
C 200 CGI (204.248) (M 271.860)		Gasolina	RWD	1796	135	184	08.07-08.14	*
C 200 Kompressor (204.241) (M 271.950)		Gasolina	RWD	1796	135	184	08.07-08.14	*
C 250 CGI (204.247) (M 271.860)		Gasolina	RWD	1796	150	204	07.09-08.14	*
C 230 (204.252) (M 272.921)		Gasolina	RWD	2496	150	204	08.07-08.14	*
C 250 (204.252) (M 272.921)		Gasolina	RWD	2496	150	204	02.08-12.12	*
C 280 (204.254) (M 272.947)		Gasolina	RWD	2996	170	231	08.07-08.14	*
C 300 (204.254) (M 272.947)		Gasolina	RWD	2996	170	231	08.07-08.14	*
C 350 (204.256) (M 272.961)		Gasolina	RWD	3498	200	272	08.07-08.14	*
C 350 CGI (204.257) (M 276.957)		Gasolina	RWD	3498	225	306	06.11-08.14	*
C 63 AMG (204.277) (M 156.985)		Gasolina	RWD	6208	336	457	02.08-08.14	*
C 180 CDI (204.200) (OM 651.913)		Diesel	RWD	2143	88	120	04.10-08.14	*
C 200 CDI (204.201) (OM 651.913)		Diesel	RWD	2143	100	136	08.10-08.14	*
C 220 CDI (204.202) (OM 651.911)		Diesel	RWD	2143	120	163	12.08-08.14	*
C 220 CDI (204.202) (OM 651.911)		Diesel	RWD	2143	125	170	12.08-08.14	*

# LISTA DE APLICACIONES - BUYERS GUIDE

C 220 CDI 4-matic (204.284) (OM 651.912)		Diesel	4WD	2143	125	170	02.13-08.14	*	
C 250 CDI (204.203) (OM 651.911)		Diesel	RWD	2143	150	204	01.09-08.14	*	
C 250 CDI 4-matic (204.282) (OM 651.912)		Diesel	4WD	2143	150	204	04.10-08.14	*	
C 200 CDI (204.207) (OM 646.811)		Diesel	RWD	2148	100	136	08.07-12.09	*	
C 220 CDI (204.208) (OM 646.811)		Diesel	RWD	2148	120	163	08.07-11.08	*	
C 220 CDI (204.208) (OM 646.811)		Diesel	RWD	2148	125	170	08.07-11.08	*	
C 320 CDI (204.222) (OM 642.960)		Diesel	RWD	2987	165	224	08.07-08.14	*	
C 320 CDI 4-matic (204.289) (OM 642.961)		Diesel	4WD	2987	165	224	08.07-12.11	*	
C 350 CDI (204.225) (OM 642.830)		Diesel	RWD	2987	165	224	08.07-08.14	*	
C 350 CDI 4-matic (204.292) (OM 642.961)		Diesel	4WD	2987	165	224	08.07-12.11	*	
C 300 CDI 4-matic (204.292) (OM 642.832)		Diesel	4WD	2987	170	231	06.11-08.14	*	
C 350 CDI (204.225) (OM 642.830)		Diesel	RWD	2987	170	231	10.09-08.14	*	
C 350 CDI 4-matic (204.292) (OM 642.832)		Diesel	4WD	2987	170	231	10.09-08.14	*	
C 350 CDI (204.223) (OM 642.834)		Diesel	RWD	2987	195	265	06.11-08.14	*	
<b>C-Class IV (C205) 10.15-</b>							<b>Coupé (Compact executive car-D Segment)</b>		
C 200 4-matic (205.343) (M 274.920)		Gasolina	4WD	1991	135	184	04.16-05.18	*	
C 250 (205.345) (M 274.920)		Gasolina	RWD	1991	155	211	10.15-05.18	*	
C 250 d (205.308) (OM 651.921)		Diesel	RWD	2143	150	204	10.15-05.18	*	
C 250 d 4-matic (205.309) (OM 651.921)		Diesel	4WD	2143	150	204	04.16-05.18	*	
<b>C-Class IV (W205) 07.13-</b>							<b>Sedán (Compact executive car-D Segment)</b>		
C200 (205.042) (M 274.920)		Gasolina	RWD	1991	135	184	12.13-08.18	*	
<b>C-Class IV T-Model (S205) 09.14-</b>							<b>[CAMBIADO]:Break (Compact executive car-D Segment)</b>		
C 200 (205.242) (M 274.920)		Gasolina	RWD	1991	135	184	09.14-05.18	*	
<b>E-Class IV (A207) 01.10-</b>							<b>Cabrió (Executive car-E Segment)</b>		
E 200 CGI (207.448) (M 271.820)		Gasolina	RWD	1796	135	184	01.10-12.16	*	
E 200 CGI (207.448) (M 271.860)		Gasolina	RWD	1796	135	184	01.10-12.16	*	
E 250 CGI (207.447) (M 271.860)		Gasolina	RWD	1796	150	204	01.10-12.16	*	
E 200 (207.434) (M 274.920)		Gasolina	RWD	1991	135	184	03.13-12.16	*	
E 250 (207.436) (M 274.920)		Gasolina	RWD	1991	155	211	06.13-12.16	*	
E 320 (207.462) (M 276.820)		Gasolina	RWD	2996	200	272	07.14-12.16	*	
E 400 (207.465) (M 276.820)		Gasolina	RWD	2996	245	333	06.13-12.16	*	
E 300 (207.455) (M 276.957)		Gasolina	RWD	3498	185	252	04.11-12.16	*	
E 350 (207.456) (M 272.961)		Gasolina	RWD	3498	200	272	03.10-12.11	*	
E 350 (207.456) (M 272.988)		Gasolina	RWD	3498	200	272	03.10-12.11	*	
E 350 CGI (207.457) (M 272.982)		Gasolina	RWD	3498	215	292	01.10-12.14	*	
E 350 CGI (207.457) (M 272.984)		Gasolina	RWD	3498	215	292	01.10-12.14	*	
E 350 (207.459) (M 276.957)		Gasolina	RWD	3498	225	306	04.11-12.14	*	
E 400 (207.461) (M 276.850)		Gasolina	RWD	3498	245	333	07.14-12.16	*	
E 550		Gasolina	RWD	4663	299	407	09.11-12.16	*	
E 500 (207.473) (M 278.922)		Gasolina	RWD	4663	300	408	09.11-12.16	*	
E 500 (207.472) (M 273.966)		Gasolina	RWD	5461	285	388	01.10-12.11	*	
E 220 CDI (207.402) (OM 651.911)		Diesel	RWD	2143	120	163	02.10-12.16	*	
E 220 CDI / BlueTEC / d (207.402, 207.401) (OM 651.911)		Diesel	RWD	2143	125	170	01.10-12.16	*	
E 220 BlueTEC (207.401) (OM 651.911)		Diesel	RWD	2143	130	177	05.14-12.16	*	
E 250 CDI / BlueTEC / d (207.403, 207.404) (OM 651.911)		Diesel	RWD	2143	150	204	01.10-12.16	*	
E 350 CDI (207.422) (OM 642.836)		Diesel	RWD	2987	170	231	01.10-12.11	*	
E 350 BlueTEC (207.426) (OM 642.838)		Diesel	RWD	2987	185	252	06.13-12.16	*	
E 350 BlueTEC/ d (207.426) (OM 642.838)		Diesel	RWD	2987	190	258	05.14-12.16	*	

# LISTA DE APLICACIONES - BUYERS GUIDE

E 350 CDI (207.423) (OM 642.838)	Diesel	RWD	2987	195	265	04.11-12.13	*
<b>E-Class IV (C207) 01.09-</b>				<b>Coupé (Executive car-E Segment)</b>			
E 200 CGI (207.348) (M 271.820)	Gasolina	RWD	1796	135	184	01.10-12.16	*
E 200 CGI (207.348) (M 271.860)	Gasolina	RWD	1796	135	184	01.10-12.16	*
E 250 CGI (207.347) (M 271.860)	Gasolina	RWD	1796	150	204	01.09-12.16	*
E 200 (207.334) (M 274.920)	Gasolina	RWD	1991	135	184	06.13-12.16	*
E 250 (207.336) (M 274.920)	Gasolina	RWD	1991	155	211	06.13-12.16	*
E 320 (207.362) (M 276.820)	Gasolina	RWD	2996	200	272	07.14-12.16	*
E 400 (207.365) (M 276.820)	Gasolina	RWD	2996	245	333	06.13-12.16	*
E 300 (207.355) (M 276.957)	Gasolina	RWD	3498	185	252	04.11-06.16	*
E 350 (207.356) (M 272.961)	Gasolina	RWD	3498	200	272	01.10-12.11	*
E 350 (207.356) (M 272.988)	Gasolina	RWD	3498	200	272	01.10-12.11	*
E 350 CGI (207.357) (M 272.982)	Gasolina	RWD	3498	215	292	01.09-12.11	*
E 350 CGI (207.357) (M 272.984)	Gasolina	RWD	3498	215	292	01.09-12.11	*
E 350 (207.359) (M 276.957)	Gasolina	RWD	3498	225	306	04.11-12.14	*
E 350 4-matic (207.388) (M 276.957)	Gasolina	4WD	3498	225	306	02.13-12.16	*
E 400 (207.361) (M 276.850)	Gasolina	RWD	3498	245	333	07.14-12.16	*
E 500 (207.373) (M 278.922)	Gasolina	RWD	4663	300	408	09.11-12.16	*
E 500 (207.372) (M 273.966)	Gasolina	RWD	5461	285	388	01.09-12.16	*
E 220 CDI (207.302) (OM 651.911)	Diesel	RWD	2143	120	163	02.10-12.14	*
E 220 CDI / d (207.302, 207.301) (OM 651.911)	Diesel	RWD	2143	125	170	01.10-12.16	*
E 220 BlueTEC (207.301) (OM 651.911)	Diesel	RWD	2143	130	177	05.14-12.16	*
E 250 CDI / BlueTEC / d (207.403, 207.404) (OM 651.911)	Diesel	RWD	2143	150	204	01.09-12.16	*
E 350 CDI (207.322) (OM 642.836)	Diesel	RWD	2987	170	231	01.09-06.11	*
E 350 BlueTEC (207.326) (OM 642.838)	Diesel	RWD	2987	185	252	06.13-12.16	*
E 350 BlueTEC / d (207.326) (OM 642.838)	Diesel	RWD	2987	190	258	05.14-12.16	*
E 350 CDI (207.323) (OM 642.838)	Diesel	RWD	2987	195	265	06.11-06.13	*
<b>E-Class IV (W212) 01.09-</b>				<b>Sedán (Executive car-E Segment)</b>			
5.5 E 550 V8 17"	Gasolina	FWD	5495	285	388	01.09-	*
E 200 NGT (212.041) (M 271.958)	Gasol./Gas (CNG)	RWD	1796	120	163	03.11-12.15	*
<b>E-Class IV T-Model (S212) 08.09-</b>				<b>[CAMBIADO]:Break (Executive car-E Segment)</b>			
E 350 4-matic (212.288) (M 276.952)	Gasolina	4WD	3498	225	306	09.11-12.16	*