

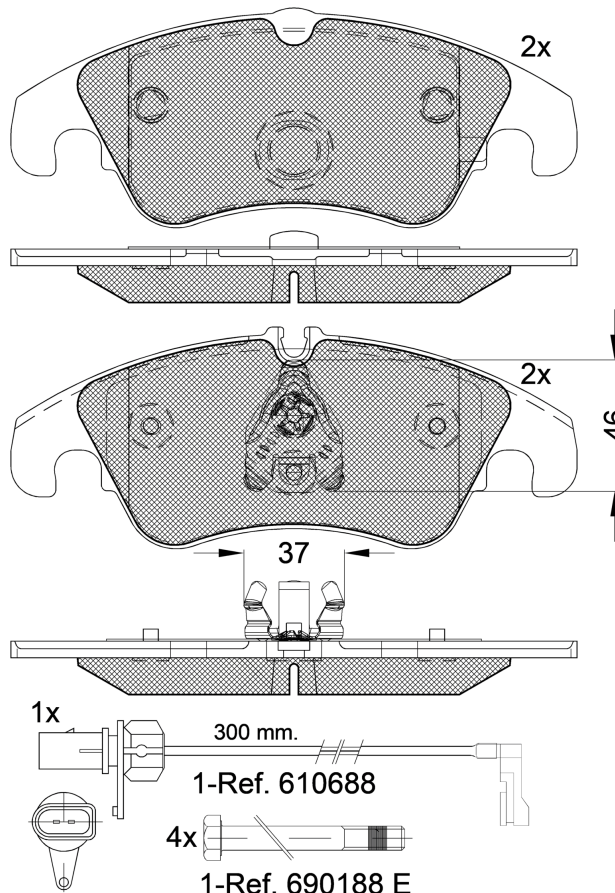
LISTA DE APLICACIONES - BUYERS GUIDE

RB1862-202



Qty: 300 Weight: 2.710

O.E.M.	MAKE
4G0 698 151	AUDI
4G0 698 151 AA	AUDI
4G0 698 151 D	AUDI
4G0 698 151 L	AUDI
8K0 698 151 C	AUDI
8K0 698 151 L	AUDI
8R0 698 151 A	AUDI
8R0 698 151 S	AUDI



RB1862-202

E 9 90R-02A0111/4512



Trw

187.9x73x18.4
187.9x73.6x18.4

VVA	FMSI
22252	D1322-8434
24408	
24409	
24264	
24265	

Sin Filas



Trac.	CC	Kw	CV
-------	----	----	----



Front / Rear

AUDI

							Sedán (Compact executive car-D Segment)	
A4 IV B8 (8K2) 08.07-06.17								
1.8 TFSI (CABA)		Gasolina	FWD	1798	88	120	01.08-12.15	*
1.8 TFSI (CDHA)		Gasolina	FWD	1798	88	120	01.08-12.15	*
1.8 TFSI (CJEB)		Gasolina	FWD	1798	125	170	11.11-12.15	*
1.8 TFSI quattro (CJEB)		Gasolina	4WD	1798	125	170	11.11-12.15	*
2.0 TFSI (CAEA)		Gasolina	FWD	1984	132	180	06.08-12.15	*
2.0 TFSI (CDNB)		Gasolina	FWD	1984	132	180	06.08-12.15	*
2.0 TFSI (CFKA)		Gasolina	FWD	1984	132	180	06.08-12.15	*
2.0 TFSI quattro (CFKA)		Gasolina	4WD	1984	132	180	11.09-03.12	*
2.0 TFSI (CAEB)		Gasolina	FWD	1984	155	211	06.08-05.13	*
2.0 TFSI (CDNC)		Gasolina	FWD	1984	155	211	06.08-05.13	*
2.0 TFSI quattro (CAEB)		Gasolina	4WD	1984	155	211	06.08-12.15	*
2.0 TFSI quattro (CDNC)		Gasolina	4WD	1984	155	211	06.08-12.15	*
2.0 TFSI quattro (CPMA)		Gasolina	4WD	1984	155	211	06.08-12.15	*
2.0 TFSI (CAED)		Gasolina	FWD	1984	162	220	05.13-12.15	*
2.0 TFSI quattro (CAED)		Gasolina	4WD	1984	162	220	05.13-12.15	*
2.0 TFSI quattro (CPMB)		Gasolina	4WD	1984	162	220	05.13-12.15	*
2.0 TFSI (CNCD)		Gasolina	FWD	1984	165	224	05.13-12.15	*
2.0 TFSI quattro (CNCD)		Gasolina	4WD	1984	165	224	05.13-12.15	*
3.0 TFSI quattro (CMUA)		Gasolina	4WD	2995	200	272	02.12-12.15	*
3.0 TFSI quattro (CRED)		Gasolina	4WD	2995	200	272	02.12-12.15	*
2.0 TFSI flexible fuel (CFKA)		Gasol./Et anol	FWD	1984	132	180	11.09-12.15	*
2.0 TFSI flexible fuel quattro (CFKA)		Gasol./Et anol	4WD	1984	132	180	11.09-12.15	*

LISTA DE APLICACIONES - BUYERS GUIDE

2.0 TDI (CAGC)		Diesel	FWD	1968	88	120	06.08-12.15	*
2.0 TDI (CJCC)		Diesel	FWD	1968	88	120	06.08-12.15	*
2.0 TDI (CAGB)		Diesel	FWD	1968	100	136	11.07-12.15	*
2.0 TDI (CJCB)		Diesel	FWD	1968	100	136	11.07-12.15	*
2.0 TDI (CSUB)		Diesel	FWD	1968	100	136	11.07-12.15	*
2.0 TDI (CAGA)		Diesel	FWD	1968	105	143	11.07-12.15	*
2.0 TDI (CJCA)		Diesel	FWD	1968	105	143	11.07-12.15	*
2.0 TDI (CMEA)		Diesel	FWD	1968	105	143	11.07-12.15	*
2.0 TDI (CMFA)		Diesel	FWD	1968	105	143	11.07-12.15	*
2.0 TDI quattro (CAGA)		Diesel	4WD	1968	105	143	11.08-12.15	*
2.0 TDI quattro (CJCA)		Diesel	4WD	1968	105	143	11.08-12.15	*
2.0 TDI (CJCD)		Diesel	FWD	1968	110	150	05.13-12.15	*
2.0 TDI (CMFB)		Diesel	FWD	1968	110	150	05.13-12.15	*
2.0 TDI (CSUA)		Diesel	FWD	1968	110	150	05.13-12.15	*
2.0 TDI quattro (CJCD)		Diesel	4WD	1968	110	150	05.13-12.15	*
2.0 TDI quattro (CSUA)		Diesel	4WD	1968	110	150	05.13-12.15	*
2.0 TDI (CAHB)		Diesel	FWD	1968	120	163	08.08-12.15	*
2.0 TDI (CGLD)		Diesel	FWD	1968	120	163	08.08-12.15	*
2.0 TDI (CNHC)		Diesel	FWD	1968	120	163	08.08-12.15	*
2.0 TDI (CGLC)		Diesel	FWD	1968	130	177	11.11-12.15	*
2.0 TDI (CMGB)		Diesel	FWD	1968	130	177	11.11-12.15	*
2.0 TDI quattro (CGLC)		Diesel	4WD	1968	130	177	11.11-12.15	*
2.0 TDI (CNHA)		Diesel	FWD	1968	140	190	09.13-12.15	*
2.0 TDI quattro (CNHA)		Diesel	4WD	1968	140	190	09.13-12.15	*
3.0 TDI (CLAB)		Diesel	FWD	2967	150	204	11.11-12.15	*
3.0 TDI quattro (CDUC)		Diesel	4WD	2967	180	245	11.11-12.15	*
3.0 TDI quattro (CKVB)		Diesel	4WD	2967	180	245	11.11-12.15	*
3.0 TDI quattro (CKVC)		Diesel	4WD	2967	180	245	11.11-12.15	*
A4 IV B8 Avant (8K5) 11.07-06.17						[CAMBIADO]:Break (Compact executive car-D Segment)		
1.8 TFSI (CDHA)		Gasolina	FWD	1798	88	120	04.08-12.15	*
1.8 TFSI (CJEB)		Gasolina	FWD	1798	125	170	11.11-12.15	*
1.8 TFSI quattro (CJEB)		Gasolina	4WD	1798	125	170	11.11-12.15	*
2.0 TFSI (CDNB)		Gasolina	FWD	1984	132	180	06.08-12.15	*
2.0 TFSI (CFKA)		Gasolina	FWD	1984	132	180	06.08-12.15	*
2.0 TFSI (CAEB)		Gasolina	FWD	1984	155	211	06.08-05.13	*
2.0 TFSI (CDNC)		Gasolina	FWD	1984	155	211	06.08-05.13	*
2.0 TFSI quattro (CAEB)		Gasolina	4WD	1984	155	211	06.08-12.15	*
2.0 TFSI quattro (CDNC)		Gasolina	4WD	1984	155	211	06.08-12.15	*
2.0 TFSI (CNCD)		Gasolina	FWD	1984	165	224	05.13-12.15	*
2.0 TFSI quattro (CNCD)		Gasolina	4WD	1984	165	224	05.13-12.15	*
3.0 TFSI quattro (CMUA)		Gasolina	4WD	2995	200	272	02.12-12.15	*
3.0 TFSI quattro (CRED)		Gasolina	4WD	2995	200	272	02.12-12.15	*
2.0 TFSI flexible fuel (CFKA)		Gasol./Etanol	FWD	1984	132	180	11.09-12.15	*
2.0 TFSI flexible fuel quattro (CFKA)		Gasol./Etanol	4WD	1984	132	180	11.09-12.15	*
2.0 TDI (CAGC)		Diesel	FWD	1968	88	120	06.08-12.15	*
2.0 TDI (CJCC)		Diesel	FWD	1968	88	120	06.08-12.15	*
2.0 TDI (CAGB)		Diesel	FWD	1968	100	136	04.08-12.15	*
2.0 TDI (CJCB)		Diesel	FWD	1968	100	136	04.08-12.15	*
2.0 TDI (CSUB)		Diesel	FWD	1968	100	136	04.08-12.15	*
2.0 TDI (CAGA)		Diesel	FWD	1968	105	143	04.08-12.15	*

LISTA DE APLICACIONES - BUYERS GUIDE

2.0 TDI (CJCA)		Diesel	FWD	1968	105	143	04.08-12.15	*
2.0 TDI (CMEA)		Diesel	FWD	1968	105	143	04.08-12.15	*
2.0 TDI (CMFA)		Diesel	FWD	1968	105	143	04.08-12.15	*
2.0 TDI quattro (CAGA)		Diesel	4WD	1968	105	143	04.08-12.15	*
2.0 TDI quattro (CJCA)		Diesel	4WD	1968	105	143	04.08-12.15	*
2.0 TDI (CJCD)		Diesel	FWD	1968	110	150	05.13-12.15	*
2.0 TDI (CMFB)		Diesel	FWD	1968	110	150	05.13-12.15	*
2.0 TDI (CSUA)		Diesel	FWD	1968	110	150	05.13-12.15	*
2.0 TDI quattro (CJCD)		Diesel	4WD	1968	110	150	05.13-12.15	*
2.0 TDI quattro (CSUA)		Diesel	4WD	1968	110	150	05.13-12.15	*
2.0 TDI (CAHB)		Diesel	FWD	1968	120	163	08.08-12.15	*
2.0 TDI (CGLD)		Diesel	FWD	1968	120	163	08.08-12.15	*
2.0 TDI (CNHC)		Diesel	FWD	1968	120	163	08.08-12.15	*
2.0 TDI (CGLC)		Diesel	FWD	1968	130	177	11.11-12.15	*
2.0 TDI quattro (CGLC)		Diesel	4WD	1968	130	177	11.11-12.15	*
2.0 TDI (CNHA)		Diesel	FWD	1968	140	190	09.13-12.15	*
2.0 TDI quattro (CNHA)		Diesel	4WD	1968	140	190	09.13-12.15	*
3.0 TDI (CLAB)		Diesel	FWD	2967	150	204	11.11-12.15	*
3.0 TDI quattro (CDUC)		Diesel	4WD	2967	180	245	11.11-12.15	*
3.0 TDI quattro (CKVB)		Diesel	4WD	2967	180	245	11.11-12.15	*
3.0 TDI quattro (CKVC)		Diesel	4WD	2967	180	245	11.11-12.15	*
A5 (8F7) 02.09-10.17							Cabrio (Compact executive car-D Segment)	
1.8 TFSI (CDHB)		Gasolina	FWD	1798	118	160	09.09-03.12	*
1.8 TFSI (CJEB)		Gasolina	FWD	1798	125	170	09.11-03.16	*
1.8 TFSI (CJEE)		Gasolina	FWD	1798	130	177	05.15-01.17	*
2.0 TFSI (CAEA)		Gasolina	FWD	1984	132	180	03.09-03.12	*
2.0 TFSI (CDNB)		Gasolina	FWD	1984	132	180	03.09-03.12	*
2.0 TFSI (CAEB)		Gasolina	FWD	1984	155	211	03.09-06.14	*
2.0 TFSI (CDNC)		Gasolina	FWD	1984	155	211	03.09-06.14	*
2.0 TFSI quattro (CAEB)		Gasolina	4WD	1984	155	211	03.09-01.17	*
2.0 TFSI quattro (CDNC)		Gasolina	4WD	1984	155	211	03.09-01.17	*
2.0 TFSI quattro (CPMA)		Gasolina	4WD	1984	155	211	03.09-01.17	*
2.0 TFSI (CAED)		Gasolina	FWD	1984	162	220	05.13-12.14	*
2.0 TFSI (CNCD)		Gasolina	FWD	1984	165	224	05.13-05.16	*
2.0 TFSI quattro (CNCD)		Gasolina	4WD	1984	165	224	05.13-05.16	*
2.0 TFSI (CNCE)		Gasolina	FWD	1984	169	230	08.15-01.17	*
2.0 TFSI quattro (CNCE)		Gasolina	4WD	1984	169	230	08.15-01.17	*
3.0 TFSI quattro (CMUA)		Gasolina	4WD	2995	200	272	11.11-01.17	*
3.0 TFSI quattro (CRED)		Gasolina	4WD	2995	200	272	11.11-01.17	*
3.2 FSI (CALA)		Gasolina	FWD	3197	195	265	03.09-03.12	*
3.2 FSI quattro (CALA)		Gasolina	4WD	3197	195	265	03.09-03.12	*
2.0 TDI (CJCA)		Diesel	FWD	1968	105	143	10.11-05.15	*
2.0 TDI (CJCD)		Diesel	FWD	1968	110	150	05.13-01.17	*
2.0 TDI (CSUA)		Diesel	FWD	1968	110	150	05.13-01.17	*
2.0 TDI (CAHB)		Diesel	FWD	1968	120	163	05.09-06.14	*
2.0 TDI (CGLD)		Diesel	FWD	1968	120	163	05.09-06.14	*
2.0 TDI (CAHA)		Diesel	FWD	1968	125	170	05.09-03.12	*
2.0 TDI (CGLC)		Diesel	FWD	1968	130	177	10.11-01.17	*
2.0 TDI quattro (CGLC)		Diesel	4WD	1968	130	177	01.12-05.15	*
2.0 TDI (CNHA)		Diesel	FWD	1968	140	190	09.13-01.17	*
2.0 TDI quattro (CNHA)		Diesel	4WD	1968	140	190	09.13-01.17	*

LISTA DE APLICACIONES - BUYERS GUIDE

2.7 TDI (CGKB)		Diesel	FWD	2698	120	163	05.09-03.12	*
2.7 TDI (CGKA)		Diesel	FWD	2698	140	190	03.09-03.12	*
3.0 TDI (CLAB)		Diesel	FWD	2967	150	204	10.11-01.17	*
3.0 TDI quattro (CKVD)		Diesel	4WD	2967	160	218	05.15-01.17	*
3.0 TDI quattro (CCWA)		Diesel	4WD	2967	176	240	03.09-03.12	*
3.0 TDI quattro (CDUC)		Diesel	4WD	2967	180	245	10.11-01.17	*
3.0 TDI quattro (CKVC)		Diesel	4WD	2967	180	245	10.11-01.17	*
A5 (8T3) 06.07-10.17					Coupé (Compact executive car-D Segment)			
1.8 TFSI (CABD)		Gasolina	FWD	1798	125	170	10.07-01.17	*
1.8 TFSI (CJEB)		Gasolina	FWD	1798	125	170	10.07-01.17	*
1.8 TFSI (CJEE)		Gasolina	FWD	1798	130	177	05.15-01.17	*
2.0 TFSI (CDNB)		Gasolina	FWD	1984	132	180	11.08-03.12	*
2.0 TFSI (CDNC)		Gasolina	FWD	1984	155	211	06.08-11.13	*
2.0 TFSI quattro (CAEB)		Gasolina	4WD	1984	155	211	06.08-01.17	*
2.0 TFSI quattro (CDNC)		Gasolina	4WD	1984	155	211	06.08-01.17	*
2.0 TFSI quattro (CPMA)		Gasolina	4WD	1984	155	211	06.08-01.17	*
2.0 TFSI quattro (CAED)		Gasolina	4WD	1984	162	220	03.12-01.17	*
2.0 TFSI quattro (CPMB)		Gasolina	4WD	1984	162	220	03.12-01.17	*
2.0 TFSI (CNCD)		Gasolina	FWD	1984	165	224	05.13-05.16	*
2.0 TFSI quattro (CNCD)		Gasolina	4WD	1984	165	224	05.13-05.16	*
2.0 TFSI (CNCE)		Gasolina	FWD	1984	169	230	08.15-01.17	*
2.0 TFSI quattro (CNCE)		Gasolina	4WD	1984	169	230	08.15-01.17	*
3.0 TFSI quattro (CHMB)		Gasolina	4WD	2995	200	272	12.11-01.17	*
3.0 TFSI quattro (CMUA)		Gasolina	4WD	2995	200	272	12.11-01.17	*
3.0 TFSI quattro (CRED)		Gasolina	4WD	2995	200	272	12.11-01.17	*
2.0 TDI (CAHB)		Diesel	FWD	1968	120	163	08.08-01.17	*
2.0 TDI (CGLD)		Diesel	FWD	1968	120	163	08.08-01.17	*
2.0 TDI (CNHC)		Diesel	FWD	1968	120	163	08.08-01.17	*
2.0 TDI (CGLC)		Diesel	FWD	1968	130	177	10.11-01.17	*
2.0 TDI quattro (CGLC)		Diesel	4WD	1968	130	177	12.11-01.17	*
2.0 TDI (CNHA)		Diesel	FWD	1968	140	190	09.13-01.17	*
2.0 TDI quattro (CNHA)		Diesel	4WD	1968	140	190	09.13-01.17	*
3.0 TDI (CLAB)		Diesel	FWD	2967	150	204	10.11-01.17	*
3.0 TDI quattro (CKVD)		Diesel	4WD	2967	160	218	05.15-01.17	*
3.0 TDI quattro (CDUC)		Diesel	4WD	2967	180	245	10.11-01.17	*
3.0 TDI quattro (CKVB)		Diesel	4WD	2967	180	245	10.11-01.17	*
3.0 TDI quattro (CKVC)		Diesel	4WD	2967	180	245	10.11-01.17	*
A5 Sportback (8TA) 07.07-10.17					[CAMBIADO]:Fastback (Compact executive car-D Segment)			
1.8 TFSI (CJED)		Gasolina	FWD	1798	106	144	09.14-01.17	*
1.8 TFSI (CJEB)		Gasolina	FWD	1798	125	170	08.11-01.17	*
1.8 TFSI (CJEE)		Gasolina	FWD	1798	130	177	05.15-01.17	*
2.0 TFSI (CDNB)		Gasolina	FWD	1984	132	180	09.09-06.14	*
2.0 TFSI (CDNC)		Gasolina	FWD	1984	155	211	09.09-11.13	*
2.0 TFSI quattro (CDNC)		Gasolina	4WD	1984	155	211	09.09-01.17	*
2.0 TFSI (CNCD)		Gasolina	FWD	1984	165	224	05.13-05.16	*
2.0 TFSI quattro (CNCD)		Gasolina	4WD	1984	165	224	05.13-05.16	*
2.0 TFSI (CNCE)		Gasolina	FWD	1984	169	230	08.15-01.17	*
2.0 TFSI quattro (CNCE)		Gasolina	4WD	1984	169	230	08.15-01.17	*
3.0 TFSI quattro (CHMB)		Gasolina	4WD	2995	200	272	12.11-01.17	*
3.0 TFSI quattro (CMUA)		Gasolina	4WD	2995	200	272	12.11-01.17	*

LISTA DE APLICACIONES - BUYERS GUIDE

3.0 TFSI quattro (CRED)		Gasolina	4WD	2995	200	272	12.11-01.17	*
2.0 TDI (CAGB)		Diesel	FWD	1968	100	136	09.09-01.17	*
2.0 TDI (CJCB)		Diesel	FWD	1968	100	136	09.09-01.17	*
2.0 TDI (CSUB)		Diesel	FWD	1968	100	136	09.09-01.17	*
2.0 TDI (CAGA)		Diesel	FWD	1968	105	143	09.09-01.17	*
2.0 TDI (CJCA)		Diesel	FWD	1968	105	143	09.09-01.17	*
2.0 TDI (CMEA)		Diesel	FWD	1968	105	143	09.09-01.17	*
2.0 TDI (CMFA)		Diesel	FWD	1968	105	143	09.09-01.17	*
2.0 TDI (CJCD)		Diesel	FWD	1968	110	150	05.13-01.17	*
2.0 TDI (CMFB)		Diesel	FWD	1968	110	150	05.13-01.17	*
2.0 TDI (CSUA)		Diesel	FWD	1968	110	150	05.13-01.17	*
2.0 TDI (CAHB)		Diesel	FWD	1968	120	163	09.09-01.17	*
2.0 TDI (CGLD)		Diesel	FWD	1968	120	163	09.09-01.17	*
2.0 TDI (CNHC)		Diesel	FWD	1968	120	163	09.09-01.17	*
2.0 TDI (CGLC)		Diesel	FWD	1968	130	177	10.11-01.17	*
2.0 TDI quattro (CGLC)		Diesel	4WD	1968	130	177	12.11-01.17	*
2.0 TDI (CNHA)		Diesel	FWD	1968	140	190	09.13-01.17	*
2.0 TDI quattro (CNHA)		Diesel	4WD	1968	140	190	09.13-01.17	*
3.0 TDI (CLAB)		Diesel	FWD	2967	150	204	10.11-01.17	*
3.0 TDI quattro (CKVD)		Diesel	4WD	2967	160	218	05.15-01.17	*
3.0 TDI quattro (CDUC)		Diesel	4WD	2967	180	245	10.11-01.17	*
3.0 TDI quattro (CKVB)		Diesel	4WD	2967	180	245	10.11-01.17	*
3.0 TDI quattro (CKVC)		Diesel	4WD	2967	180	245	10.11-01.17	*
A6 IV Allroad C7 (4GH, 4GJ) 01.12-					[CAMBIADO]:Break (Executive car-E Segment)			
3.0 TFSI quattro (CGWD)		Gasolina	4WD	2995	228	310	01.12-12.14	*
3.0 TFSI quattro (CREC)		Gasolina	4WD	2995	245	333	09.14-09.18	*
3.0 TDI quattro (CZVF)		Diesel	4WD	2967	140	190	11.15-09.18	*
3.0 TDI quattro (CLAA)		Diesel	4WD	2967	150	204	01.12-12.14	*
3.0 TDI quattro (CRTF)		Diesel	4WD	2967	155	211	09.14-09.18	*
3.0 TDI quattro (CZVC)		Diesel	4WD	2967	155	211	09.14-09.18	*
3.0 TDI quattro (CRTE)		Diesel	4WD	2967	160	218	09.14-09.18	*
3.0 TDI quattro (CZVA)		Diesel	4WD	2967	160	218	09.14-09.18	*
3.0 TDI quattro (CDUD)		Diesel	4WD	2967	180	245	01.12-06.16	*
3.0 TDI quattro (CKVC)		Diesel	4WD	2967	180	245	01.12-06.16	*
3.0 TDI quattro (CRTD)		Diesel	4WD	2967	200	272	09.14-09.18	*
3.0 TDI quattro (CGQB)		Diesel	4WD	2967	230	313	01.12-12.14	*
3.0 TDI quattro (CVUA)		Diesel	4WD	2967	235	320	01.12-09.18	*
A6 IV C7 (4G2, 4GC) 11.10-					Sedán (Executive car-E Segment)			
1.8 TFSI (CYGA)		Gasolina	FWD	1798	140	190	09.14-09.18	*
2.0 TFSI (CDNB)		Gasolina	FWD	1984	132	180	05.11-09.18	*
2.0 TFSI (CAEB)		Gasolina	FWD	1984	155	211	03.11-05.13	*
2.0 TFSI quattro (CAEB)		Gasolina	4WD	1984	155	211	05.12-04.15	*
2.0 TFSI (CAED)		Gasolina	FWD	1984	162	220	05.13-09.18	*
2.0 TFSI quattro (CAED)		Gasolina	4WD	1984	162	220	05.13-09.18	*
2.0 TFSI quattro (CYPB)		Gasolina	4WD	1984	183	249	05.15-09.18	*
2.0 TFSI (CYNB)		Gasolina	FWD	1984	185	252	09.14-09.18	*
2.0 TFSI (CYPA)		Gasolina	FWD	1984	185	252	09.14-09.18	*
2.0 TFSI quattro (CYNB)		Gasolina	4WD	1984	185	252	05.14-09.18	*
2.0 TFSI quattro (CYPA)		Gasolina	4WD	1984	185	252	05.14-09.18	*
2.8 FSI (CHVA)		Gasolina	FWD	2773	150	204	11.10-04.15	*

LISTA DE APLICACIONES - BUYERS GUIDE

2.8 FSI quattro (CHVA)		Gasolina	4WD	2773	150	204	11.10-04.15	*
2.8 FSI quattro (CVPA)		Gasolina	4WD	2773	162	220	09.14-09.18	*
3.0		Gasolina	FWD	2995	213	290	11.11-	*
3.0		Gasolina	FWD	2995	213	290	11.11-	*
3.0 TFSI quattro (CCAA)		Gasolina	4WD	2995	220	300	11.10-05.12	*
3.0 TFSI quattro (CGWB)		Gasolina	4WD	2995	220	300	11.10-05.12	*
3.0 TFSI quattro (CGWD)		Gasolina	4WD	2995	228	310	03.11-09.18	*
3.0 TFSI quattro (CGXB)		Gasolina	4WD	2995	228	310	03.11-09.18	*
3.0 TFSI quattro (CTUA)		Gasolina	4WD	2995	228	310	03.11-09.18	*
3.0 TFSI quattro (CREC)		Gasolina	4WD	2995	245	333	09.14-09.18	*
3.0 TFSI quattro		Gasolina	4WD	2995	250	340	09.16-09.18	*
S6 quattro (CEUC)		Gasolina	4WD	3993	309	420	02.12-09.18	*
S6 quattro (CTGE)		Gasolina	4WD	3993	331	450	10.14-09.18	*
2.0 TFSI Hybrid (CHJA)		Gasol./el éc.	FWD	1984	180	245	11.11-04.15	*
2.0 TDI (CGLE)		Diesel	FWD	1968	100	136	01.12-09.18	*
2.0 TDI (CSUE)		Diesel	FWD	1968	100	136	01.12-09.18	*
2.0 TDI (CSUD)		Diesel	FWD	1968	110	150	09.14-09.18	*
2.0 TDI (DDCB)		Diesel	FWD	1968	110	150	09.14-09.18	*
2.0 TDI (CGLD)		Diesel	FWD	1968	120	163	03.11-09.18	*
2.0 TDI (CGLC)		Diesel	FWD	1968	130	177	03.11-09.18	*
2.0 TDI (CMGB)		Diesel	FWD	1968	130	177	03.11-09.18	*
2.0 TDI (CNHA)		Diesel	FWD	1968	140	190	11.13-09.18	*
2.0 TDI (CZJA)		Diesel	FWD	1968	140	190	11.13-09.18	*
2.0 TDI (DDDA)		Diesel	FWD	1968	140	190	11.13-09.18	*
2.0 TDI quattro (CNHA)		Diesel	4WD	1968	140	190	04.15-09.18	*
2.0 TDI quattro (DDDA)		Diesel	4WD	1968	140	190	04.15-09.18	*
2.1 TDI		Diesel	FWD	1968	140	190	01.15-09.18	*
3.0 TDI (CLAB)		Diesel	FWD	2967	150	204	11.10-09.18	*
3.0 TDI quattro (CLAA)		Diesel	4WD	2967	150	204	03.11-09.18	*
3.0 TDI (CTCB)		Diesel	FWD	2967	155	211	09.14-09.18	*
3.0 TDI (CZVD)		Diesel	FWD	2967	155	211	09.14-09.18	*
3.0 TDI quattro (CRTF)		Diesel	4WD	2967	155	211	09.14-09.18	*
3.0 TDI quattro (CZVC)		Diesel	4WD	2967	155	211	09.14-09.18	*
3.0 TDI (CTCC)		Diesel	FWD	2967	160	218	09.14-09.18	*
3.0 TDI (CZVB)		Diesel	FWD	2967	160	218	09.14-09.18	*
3.0 TDI quattro (CRTE)		Diesel	4WD	2967	160	218	09.14-09.18	*
3.0 TDI quattro (CZVA)		Diesel	4WD	2967	160	218	09.14-09.18	*
3.0 TDI quattro		Diesel	4WD	2967	176	239	05.13-	*
3.0 TDI quattro (CDUC)		Diesel	4WD	2967	180	245	03.11-09.18	*
3.0 TDI quattro (CDUD)		Diesel	4WD	2967	180	245	03.11-09.18	*
3.0 TDI quattro (CKVB)		Diesel	4WD	2967	180	245	03.11-09.18	*
3.0 TDI quattro (CKVC)		Diesel	4WD	2967	180	245	03.11-09.18	*
3.0 TDI quattro (CRTD)		Diesel	4WD	2967	200	272	09.14-09.18	*
3.0 TDI quattro (CGQB)		Diesel	4WD	2967	230	313	11.11-09.18	*
3.0 TDI quattro (CVUA)		Diesel	4WD	2967	235	320	09.14-09.18	*
3.0 TDI quattro (CVUB)		Diesel	4WD	2967	240	326	09.14-09.18	*
A6 IV C7 Avant (4G5, 4GD) 05.11-					[CAMBIADO]:Break (Executive car-E Segment)			
1.8 TFSI (CYGA)		Gasolina	FWD	1798	140	190	09.14-09.18	*
2.0 TFSI (CDNB)		Gasolina	FWD	1984	132	180	06.11-09.18	*
2.0 TFSI quattro (CYPB)		Gasolina	4WD	1984	183	249	05.15-09.18	*

LISTA DE APLICACIONES - BUYERS GUIDE

2.0 TFSI (CYNB)		Gasolina	FWD	1984	185	252	09.14-09.18	*
2.0 TFSI (CYPA)		Gasolina	FWD	1984	185	252	09.14-09.18	*
2.0 TFSI quattro (CYPA)		Gasolina	4WD	1984	185	252	05.15-09.18	*
2.8 FSI (CHVA)		Gasolina	FWD	2773	150	204	05.11-04.15	*
2.8 FSI quattro (CHVA)		Gasolina	4WD	2773	150	204	05.11-04.15	*
2.8 FSI quattro (CVPA)		Gasolina	4WD	2773	162	220	09.14-09.18	*
3.0 TFSI quattro (CGWB)		Gasolina	4WD	2995	220	300	05.11-05.12	*
3.0 TFSI quattro (CGWD)		Gasolina	4WD	2995	228	310	11.11-09.18	*
3.0 TFSI quattro (CREC)		Gasolina	4WD	2995	245	333	09.14-09.18	*
S6 quattro (CEUC)		Gasolina	4WD	3993	309	420	02.12-09.18	*
S6 quattro (CTGE)		Gasolina	4WD	3993	331	450	10.14-09.18	*
2.0 TDI (CGLE)		Diesel	FWD	1968	100	136	01.12-09.18	*
2.0 TDI (CSUE)		Diesel	FWD	1968	100	136	01.12-09.18	*
2.0 TDI (DDCA)		Diesel	FWD	1968	100	136	01.12-09.18	*
2.0 TDI (CSUD)		Diesel	FWD	1968	110	150	09.14-09.18	*
2.0 TDI (DDCB)		Diesel	FWD	1968	110	150	09.14-09.18	*
2.0 TDI (CGLD)		Diesel	FWD	1968	120	163	05.11-09.18	*
2.0 TDI (CGLC)		Diesel	FWD	1968	130	177	05.11-09.18	*
2.0 TDI (CMGB)		Diesel	FWD	1968	130	177	05.11-09.18	*
2.0 TDI (CNHA)		Diesel	FWD	1968	140	190	11.13-09.18	*
2.0 TDI (CZJA)		Diesel	FWD	1968	140	190	11.13-09.18	*
2.0 TDI (DDDA)		Diesel	FWD	1968	140	190	11.13-09.18	*
2.0 TDI quattro (CNHA)		Diesel	4WD	1968	140	190	04.15-09.18	*
2.0 TDI quattro (DDDA)		Diesel	4WD	1968	140	190	04.15-09.18	*
3.0 TDI (CLAB)		Diesel	FWD	2967	150	204	05.11-09.18	*
3.0 TDI quattro (CLAA)		Diesel	4WD	2967	150	204	05.11-09.18	*
3.0 TDI (CTCB)		Diesel	FWD	2967	155	211	09.14-09.18	*
3.0 TDI (CZVD)		Diesel	FWD	2967	155	211	09.14-09.18	*
3.0 TDI quattro (CRTF)		Diesel	4WD	2967	155	211	09.14-09.18	*
3.0 TDI quattro (CZVC)		Diesel	4WD	2967	155	211	09.14-09.18	*
3.0 TDI (CTCC)		Diesel	FWD	2967	160	218	09.14-09.18	*
3.0 TDI (CZVB)		Diesel	FWD	2967	160	218	09.14-09.18	*
3.0 TDI quattro (CRTE)		Diesel	4WD	2967	160	218	09.14-09.18	*
3.0 TDI quattro (CZVA)		Diesel	4WD	2967	160	218	09.14-09.18	*
3.0 TDI quattro (CDUC)		Diesel	4WD	2967	180	245	05.11-09.18	*
3.0 TDI quattro (CDUD)		Diesel	4WD	2967	180	245	05.11-09.18	*
3.0 TDI quattro (CKVB)		Diesel	4WD	2967	180	245	05.11-09.18	*
3.0 TDI quattro (CKVC)		Diesel	4WD	2967	180	245	05.11-09.18	*
3.0 TDI quattro (CRTD)		Diesel	4WD	2967	200	272	09.14-09.18	*
3.0 TDI quattro (CGQB)		Diesel	4WD	2967	230	313	11.11-09.18	*
3.0 TDI quattro (CVUA)		Diesel	4WD	2967	235	320	09.14-09.18	*
3.0 TDI quattro (CVUB)		Diesel	4WD	2967	240	326	09.14-09.18	*
A6 V Allroad C8 (4AH) 11.18-					[CAMBIADO]:Break (Executive car-E Segment)			
45 TDI Mild Hybrid quattro (DDVE)		Diesel/el éc.	4WD	2967	170	231	11.18-	*
50 TDI Mild Hybrid quattro (DDVB)		Diesel/el éc.	4WD	2967	210	286	11.18-	*
55 TDI Mild Hybrid quattro (DEWA)		Diesel/el éc.	4WD	2967	257	349	03.19-	*
A7 Sportback (4GA, 4GF) 07.10-11.19					[CAMBIADO]:Fastback (Executive car-E Segment)			
1.8 TFSI (CYGA)		Gasolina	FWD	1798	140	190	04.15-05.18	*
2.0 TFSI quattro (CYPB)		Gasolina	4WD	1984	183	249	05.15-05.18	*

LISTA DE APLICACIONES - BUYERS GUIDE

2.0 TFSI (CYPA)		Gasolina	FWD	1984	185	252	09.14-05.18	*
2.0 TFSI quattro (CYNB)		Gasolina	4WD	1984	185	252	05.15-05.18	*
2.0 TFSI quattro (CYPA)		Gasolina	4WD	1984	185	252	05.15-05.18	*
2.8 FSI (CHVA)		Gasolina	FWD	2773	150	204	02.11-03.15	*
2.8 FSI quattro (CHVA)		Gasolina	4WD	2773	150	204	10.10-03.15	*
2.8 FSI quattro (CNYA)		Gasolina	4WD	2773	150	204	10.10-03.15	*
2.8 FSI quattro (CVPA)		Gasolina	4WD	2773	162	220	09.14-05.18	*
3.0 TFSI quattro (CGWB)		Gasolina	4WD	2995	220	300	10.10-05.12	*
3.0 TFSI quattro (CHMA)		Gasolina	4WD	2995	220	300	10.10-05.12	*
3.0 TFSI quattro (CGWD)		Gasolina	4WD	2995	228	310	01.11-03.15	*
3.0 TFSI quattro (CGXB)		Gasolina	4WD	2995	228	310	01.11-03.15	*
3.0 TFSI quattro (CTTA)		Gasolina	4WD	2995	228	310	01.11-03.15	*
3.0 TFSI quattro (CTUA)		Gasolina	4WD	2995	228	310	01.11-03.15	*
3.0 TFSI quattro (CREC)		Gasolina	4WD	2995	245	333	05.14-05.18	*
S7 quattro (CEUC)		Gasolina	4WD	3993	309	420	02.12-03.15	*
S7 quattro (CTGE)		Gasolina	4WD	3993	331	450	07.14-05.18	*
3.0 TDI (CZVE)		Diesel	FWD	2967	140	190	11.15-05.18	*
3.0 TDI quattro (CZVE)		Diesel	4WD	2967	140	190	11.15-05.18	*
3.0 TDI quattro (CZVF)		Diesel	4WD	2967	140	190	11.15-05.18	*
3.0 TDI (CLAB)		Diesel	FWD	2967	150	204	11.10-03.15	*
3.0 TDI quattro (CLAA)		Diesel	4WD	2967	150	204	12.10-03.15	*
3.0 TDI (CZVD)		Diesel	FWD	2967	155	211	11.15-05.18	*
3.0 TDI quattro (CRTF)		Diesel	4WD	2967	155	211	07.14-05.18	*
3.0 TDI quattro (CTCB)		Diesel	4WD	2967	155	211	07.14-05.18	*
3.0 TDI quattro (CZVC)		Diesel	4WD	2967	155	211	07.14-05.18	*
3.0 TDI (CTCC)		Diesel	FWD	2967	160	218	07.14-05.18	*
3.0 TDI (CZVB)		Diesel	FWD	2967	160	218	07.14-05.18	*
3.0 TDI quattro (CRTE)		Diesel	4WD	2967	160	218	07.14-05.18	*
3.0 TDI quattro (CZVA)		Diesel	4WD	2967	160	218	07.14-05.18	*
3.0 TDI quattro (CPNB)		Diesel	4WD	2967	176	239	05.13-06.17	*
3.0 TDI quattro (CDUC)		Diesel	4WD	2967	180	245	10.10-06.16	*
3.0 TDI quattro (CDUD)		Diesel	4WD	2967	180	245	10.10-06.16	*
3.0 TDI quattro (CKVB)		Diesel	4WD	2967	180	245	10.10-06.16	*
3.0 TDI quattro (CKVC)		Diesel	4WD	2967	180	245	10.10-06.16	*
3.0 TDI quattro (CRTD)		Diesel	4WD	2967	200	272	05.14-05.18	*
3.0 TDI quattro (CGQB)		Diesel	4WD	2967	230	313	11.11-03.15	*
3.0 TDI quattro (CVUA)		Diesel	4WD	2967	235	320	05.14-05.18	*
3.0 TDI quattro (CVUB)		Diesel	4WD	2967	240	326	09.14-05.18	*
Q5 (U.S.A. 8R) 09.08-12.10						Closed SUV (Luxury Crossover SUV-J Segment)		
3.2		Gasolina	FWD		201	274	09.08-12.10	*
Q5 (8RB) 11.08-12.17						Furgoneta/SUV (Luxury Crossover SUV-J Segment)		
2.0 TFSI quattro		Gasolina	4WD	1984	155	211	11.08-09.12	*
3.2 FSI quattro		Gasolina	4WD	3197	199	271	11.08-09.12	*
2.0 TDI		Diesel	FWD	1968	100	136	05.14-05.17	*
2.0 TDI		Diesel	FWD	1968	105	143	11.11-05.13	*
2.0 TDI		Diesel	FWD	1968	110	150	06.12-05.17	*
2.0 TDI quattro		Diesel	4WD	1968	125	170	11.08-09.12	*
2.0 TDI quattro		Diesel	4WD	1968	130	177	07.12-06.14	*
2.0 TDI		Diesel	FWD	1968	140	190	05.15-05.17	*
3.0 TDI quattro		Diesel	4WD	2967	176	239	11.08-04.13	*

LISTA DE APLICACIONES - BUYERS GUIDE

3.0 TDI quattro		Diesel	4WD	2967	180	245	06.12-05.17	*
3.0 TDI quattro		Diesel	4WD	2967	190	258	11.13-05.17	*
					SUV (Luxury Crossover SUV-J Segment)			
Q5 (8RB) 11.08-								
2.0 TFSI quattro		Gasolina	4WD	1984	130	177	09.09-10.09	*
2.0 TFSI quattro (CDNB)		Gasolina	4WD	1984	132	180	08.09-05.17	*
2.0 TFSI quattro (CNCB)		Gasolina	4WD	1984	132	180	08.09-05.17	*
2.0 TFSI quattro (CAEB)		Gasolina	4WD	1984	155	211	11.08-09.12	*
2.0 TFSI quattro (CDNC)		Gasolina	4WD	1984	155	211	11.08-09.12	*
2.0 TFSI quattro (CPMB)		Gasolina	4WD	1984	162	220	05.13-05.17	*
2.0 TFSI quattro (CNCD)		Gasolina	4WD	1984	165	224	06.12-05.16	*
2.0 TFSI quattro (CNCE)		Gasolina	4WD	1984	169	230	08.15-05.17	*
3.0 TFSI quattro (CTUC)		Gasolina	4WD	2995	200	272	06.12-05.17	*
3.0 TFSI quattro (CTVA)		Gasolina	4WD	2995	200	272	06.12-05.17	*
SQ5 TFSI quattro (CTUD)		Gasolina	4WD	2995	260	354	05.13-05.17	*
SQ5 TFSI quattro (CTXA)		Gasolina	4WD	2995	260	354	05.13-05.17	*
SQ5 TFSI		Gasolina	FWD	2995	264	359	03.14-	*
3.2 FSI quattro (CALB)		Gasolina	4WD	3197	199	270	11.08-12.12	*
2.0 TFSI Hybrid quattro (CHJA)		Gasol./el éc.	4WD	1984	180	245	06.11-06.16	*
2.0 TFSI Hybrid quattro (CHJA)		Gasol./el éc.	4WD	1984	180	245	09.12-05.16	*
2.0 TDI (CJCB)		Diesel	FWD	1968	100	136	11.10-05.17	*
2.0 TDI (CSUB)		Diesel	FWD	1968	100	136	11.10-05.17	*
2.0 TDI quattro (CAGB)		Diesel	4WD	1968	100	136	08.09-05.17	*
2.0 TDI quattro (CJCB)		Diesel	4WD	1968	100	136	08.09-05.17	*
2.0 TDI quattro (CSUB)		Diesel	4WD	1968	100	136	08.09-05.17	*
2.0 TDI (CJCA)		Diesel	FWD	1968	105	143	11.10-05.13	*
2.0 TDI quattro (CAGA)		Diesel	4WD	1968	105	143	08.09-05.13	*
2.0 TDI quattro (CJCA)		Diesel	4WD	1968	105	143	08.09-05.13	*
2.0 TDI (CJCD)		Diesel	FWD	1968	110	150	05.13-05.17	*
2.0 TDI (CSUA)		Diesel	FWD	1968	110	150	05.13-05.17	*
2.0 TDI quattro (CJCD)		Diesel	4WD	1968	110	150	05.13-05.17	*
2.0 TDI quattro (CSUA)		Diesel	4WD	1968	110	150	05.13-05.17	*
2.0 TDI quattro (CAHB)		Diesel	4WD	1968	120	163	11.08-05.17	*
2.0 TDI quattro (CGLA)		Diesel	4WD	1968	120	163	11.08-05.17	*
2.0 TDI quattro (CGLD)		Diesel	4WD	1968	120	163	11.08-05.17	*
2.0 TDI quattro (CNHC)		Diesel	4WD	1968	120	163	11.08-05.17	*
2.0 TDI quattro (CAHA)		Diesel	4WD	1968	125	170	11.08-09.12	*
2.0 TDI quattro (CGLB)		Diesel	4WD	1968	125	170	11.08-09.12	*
2.0 TDI quattro (CMGA)		Diesel	4WD	1968	125	170	11.08-09.12	*
2.0 TDI quattro (CGLC)		Diesel	4WD	1968	130	177	06.12-05.17	*
2.0 TDI quattro (CMGB)		Diesel	4WD	1968	130	177	06.12-05.17	*
2.0 TDI (CNHA)		Diesel	FWD	1968	140	190	09.15-05.17	*
2.0 TDI quattro (CNHA)		Diesel	4WD	1968	140	190	11.13-05.17	*
3.0 TDI quattro (CCWB)		Diesel	4WD	2967	155	211	11.08-09.12	*
3.0 TDI quattro (CCWA)		Diesel	4WD	2967	176	240	11.08-05.17	*
3.0 TDI quattro (CPNB)		Diesel	4WD	2967	176	240	11.08-05.17	*
3.0 TDI quattro (CDUD)		Diesel	4WD	2967	180	245	06.12-05.17	*
3.0 TDI quattro (CTBC)		Diesel	4WD	2967	184	250	06.12-05.17	*
3.0 TDI quattro (CTBA)		Diesel	4WD	2967	190	258	11.13-05.17	*

AUDI (FAW)

LISTA DE APLICACIONES - BUYERS GUIDE

Q5 B8 (83B) 10.09-				SUV (Luxury Crossover SUV-J Segment)				
35 TSFI quattro	Gasolina	4WD	1984	132	180	04.13-12.15	*	