

LISTA DE APLICACIONES - BUYERS GUIDE

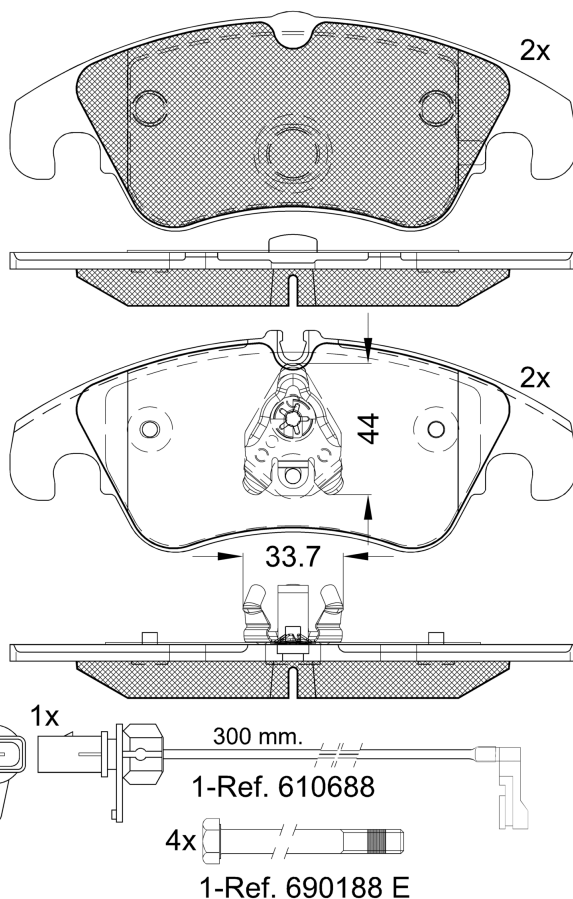
RB1862



Qty: 300

Weight: 2.730

O.E.M.	MAKE
4GD 698 151	AUDI
86 60 000 767	RENAULT
86 60 004 535	RENAULT
8G0 698 151 D	AUDI
8K0 698 151	AUDI
8K0 698 151 B	AUDI
8K0 698 151 D	AUDI
8K0 698 151 E	AUDI
8K0 698 151 G	AUDI
8K0 698 151 H	AUDI
8K0 698 151 J	AUDI
8K0 698 151 K	AUDI
8R0 698 151	AUDI
8R6 698 151	AUDI



RB1862

E 9 90R-01111/2309



Trw

187.9x73x18.4
187.9x73.6x18.4

WVA	FMSI
24264	D1322-8434
24265	
24408	
24409	
24743	

Sin Filas



Trac.	CC	Kw	CV
-------	----	----	----



Front / Rear

AUDI

A4 IV Allroad B8 (8KH) 04.09-06.17	[CAMBIADO]:Break (Compact executive car-D Segment)						
2.0 TFSI quattro (CDNC)	Gasolina	4WD	1984	155	211	04.09-05.16	*
2.0 TFSI quattro (CPMA)	Gasolina	4WD	1984	155	211	04.09-05.16	*
2.0 TFSI quattro (CPMB)	Gasolina	4WD	1984	162	220	05.13-05.16	*
2.0 TFSI quattro (CNCD)	Gasolina	4WD	1984	165	224	05.13-05.16	*
2.0 TDI quattro (CAGB)	Diesel	4WD	1968	100	136	09.09-05.16	*
2.0 TDI quattro (CJCB)	Diesel	4WD	1968	100	136	09.09-05.16	*
2.0 TDI quattro (CSUB)	Diesel	4WD	1968	100	136	09.09-05.16	*
2.0 TDI quattro (CAGA)	Diesel	4WD	1968	105	143	09.09-05.16	*
2.0 TDI quattro (CJCA)	Diesel	4WD	1968	105	143	09.09-05.16	*
2.0 TDI quattro (CJCD)	Diesel	4WD	1968	110	150	05.13-05.16	*
2.0 TDI quattro (CSUA)	Diesel	4WD	1968	110	150	05.13-05.16	*
2.0 TDI quattro (CAHB)	Diesel	4WD	1968	120	163	04.09-05.16	*
2.0 TDI quattro (CGLD)	Diesel	4WD	1968	120	163	04.09-05.16	*
2.0 TDI quattro (CNHC)	Diesel	4WD	1968	120	163	04.09-05.16	*
2.0 TDI quattro (CAHA)	Diesel	4WD	1968	125	170	04.09-05.16	*
2.0 TDI quattro (CGLC)	Diesel	4WD	1968	130	177	11.11-05.16	*
2.0 TDI quattro (CNHA)	Diesel	4WD	1968	140	190	09.13-05.16	*
3.0 TDI quattro (CCWA)	Diesel	4WD	2967	176	240	04.09-01.12	*
3.0 TDI quattro (CDUC)	Diesel	4WD	2967	180	245	01.12-05.16	*
3.0 TDI quattro (CKVB)	Diesel	4WD	2967	180	245	01.12-05.16	*
3.0 TDI quattro (CKVC)	Diesel	4WD	2967	180	245	01.12-05.16	*

LISTA DE APLICACIONES - BUYERS GUIDE

A4 IV B8 (8K2) 08.07-06.17					Sedán (Compact executive car-D Segment)			
1.8 T		Gasolina	FWD	1781	110	150	07.08-05.10	*
1.8 TFSI (CABA)		Gasolina	FWD	1798	88	120	01.08-12.15	*
1.8 TFSI (CDHA)		Gasolina	FWD	1798	88	120	01.08-12.15	*
1.8 TFSI (CABB)		Gasolina	FWD	1798	118	160	11.07-03.12	*
1.8 TFSI (CDHB)		Gasolina	FWD	1798	118	160	11.07-03.12	*
1.8 TFSI quattro (CDHB)		Gasolina	4WD	1798	118	160	09.08-03.12	*
1.8 TFSI (CJEB)		Gasolina	FWD	1798	125	170	11.11-12.15	*
1.8 TFSI quattro (CJEB)		Gasolina	4WD	1798	125	170	11.11-12.15	*
2.0 TFSI (CAEA)		Gasolina	FWD	1984	132	180	06.08-12.15	*
2.0 TFSI (CDNB)		Gasolina	FWD	1984	132	180	06.08-12.15	*
2.0 TFSI (CFKA)		Gasolina	FWD	1984	132	180	06.08-12.15	*
2.0 TFSI quattro (CFKA)		Gasolina	4WD	1984	132	180	11.09-03.12	*
2.0 TFSI (CAEB)		Gasolina	FWD	1984	155	211	06.08-05.13	*
2.0 TFSI (CDNC)		Gasolina	FWD	1984	155	211	06.08-05.13	*
2.0 TFSI quattro (CAEB)		Gasolina	4WD	1984	155	211	06.08-12.15	*
2.0 TFSI quattro (CDNC)		Gasolina	4WD	1984	155	211	06.08-12.15	*
2.0 TFSI quattro (CPMA)		Gasolina	4WD	1984	155	211	06.08-12.15	*
2.0 TFSI (CAED)		Gasolina	FWD	1984	162	220	05.13-12.15	*
2.0 TFSI quattro (CAED)		Gasolina	4WD	1984	162	220	05.13-12.15	*
2.0 TFSI quattro (CPMB)		Gasolina	4WD	1984	162	220	05.13-12.15	*
2.0 TFSI (CNCD)		Gasolina	FWD	1984	165	224	05.13-12.15	*
2.0 TFSI quattro (CNCD)		Gasolina	4WD	1984	165	224	05.13-12.15	*
3.0 TFSI quattro (CMUA)		Gasolina	4WD	2995	200	272	02.12-12.15	*
3.0 TFSI quattro (CRED)		Gasolina	4WD	2995	200	272	02.12-12.15	*
S4 quattro (CAKA)		Gasolina	4WD	2995	245	333	11.08-12.15	*
S4 quattro (CCBA)		Gasolina	4WD	2995	245	333	11.08-12.15	*
S4 quattro (CGWC)		Gasolina	4WD	2995	245	333	11.08-12.15	*
S4 quattro (CGXC)		Gasolina	4WD	2995	245	333	11.08-12.15	*
S4 quattro (CREC)		Gasolina	4WD	2995	245	333	11.08-12.15	*
S4 quattro (CTUB)		Gasolina	4WD	2995	245	333	11.08-12.15	*
3.2 FSI (CALA)		Gasolina	FWD	3197	195	265	09.08-03.12	*
3.2 FSI quattro (CALA)		Gasolina	4WD	3197	195	265	11.07-03.12	*
2.0 TFSI flexible fuel (CFKA)		Gasol./Etanol	FWD	1984	132	180	11.09-12.15	*
2.0 TFSI flexible fuel quattro (CFKA)		Gasol./Etanol	4WD	1984	132	180	11.09-12.15	*
2.0 TDI (CAGC)		Diesel	FWD	1968	88	120	06.08-12.15	*
2.0 TDI (CJCC)		Diesel	FWD	1968	88	120	06.08-12.15	*
2.0 TDI (CAGB)		Diesel	FWD	1968	100	136	11.07-12.15	*
2.0 TDI (CJCB)		Diesel	FWD	1968	100	136	11.07-12.15	*
2.0 TDI (CSUB)		Diesel	FWD	1968	100	136	11.07-12.15	*
2.0 TDI (CAGA)		Diesel	FWD	1968	105	143	11.07-12.15	*
2.0 TDI (CJCA)		Diesel	FWD	1968	105	143	11.07-12.15	*
2.0 TDI (CMEA)		Diesel	FWD	1968	105	143	11.07-12.15	*
2.0 TDI (CMFA)		Diesel	FWD	1968	105	143	11.07-12.15	*
2.0 TDI quattro (CAGA)		Diesel	4WD	1968	105	143	11.08-12.15	*
2.0 TDI quattro (CJCA)		Diesel	4WD	1968	105	143	11.08-12.15	*
2.0 TDI (CJCD)		Diesel	FWD	1968	110	150	05.13-12.15	*
2.0 TDI (CMFB)		Diesel	FWD	1968	110	150	05.13-12.15	*
2.0 TDI (CSUA)		Diesel	FWD	1968	110	150	05.13-12.15	*
2.0 TDI quattro (CJCD)		Diesel	4WD	1968	110	150	05.13-12.15	*

LISTA DE APLICACIONES - BUYERS GUIDE

2.0 TDI quattro (CSUA)		Diesel	4WD	1968	110	150	05.13-12.15	*
2.0 TDI (CAHB)		Diesel	FWD	1968	120	163	08.08-12.15	*
2.0 TDI (CGLD)		Diesel	FWD	1968	120	163	08.08-12.15	*
2.0 TDI (CNHC)		Diesel	FWD	1968	120	163	08.08-12.15	*
2.0 TDI (CAHA)		Diesel	FWD	1968	125	170	01.08-03.12	*
2.0 TDI quattro (CAHA)		Diesel	4WD	1968	125	170	01.08-03.12	*
2.0 TDI (CGLC)		Diesel	FWD	1968	130	177	11.11-12.15	*
2.0 TDI (CMGB)		Diesel	FWD	1968	130	177	11.11-12.15	*
2.0 TDI quattro (CGLC)		Diesel	4WD	1968	130	177	11.11-12.15	*
2.0 TDI (CNHA)		Diesel	FWD	1968	140	190	09.13-12.15	*
2.0 TDI quattro (CNHA)		Diesel	4WD	1968	140	190	09.13-12.15	*
2.7 TDI (CAMB)		Diesel	FWD	2698	120	163	11.07-03.12	*
2.7 TDI (CGKB)		Diesel	FWD	2698	120	163	11.07-03.12	*
2.7 TDI (CAMA)		Diesel	FWD	2698	140	190	11.07-03.12	*
2.7 TDI (CGKA)		Diesel	FWD	2698	140	190	11.07-03.12	*
3.0 TDI (CLAB)		Diesel	FWD	2967	150	204	11.11-12.15	*
3.0 TDI quattro (CCWB)		Diesel	4WD	2967	155	211	06.08-05.10	*
3.0 TDI		Diesel	RWD	2967	171	233	04.09-	*
3.0 TDI quattro (CAPA)		Diesel	4WD	2967	176	240	11.07-03.12	*
3.0 TDI quattro (CCLA)		Diesel	4WD	2967	176	240	11.07-03.12	*
3.0 TDI quattro (CCWA)		Diesel	4WD	2967	176	240	11.07-03.12	*
3.0 TDI quattro (CDUC)		Diesel	4WD	2967	180	245	11.11-12.15	*
3.0 TDI quattro (CKVB)		Diesel	4WD	2967	180	245	11.11-12.15	*
3.0 TDI quattro (CKVC)		Diesel	4WD	2967	180	245	11.11-12.15	*
A4 IV B8 Avant (8K5) 11.07-06.17							[CAMBIADO]:Break (Compact executive car-D Segment)	
1.8 TFSI (CDHA)		Gasolina	FWD	1798	88	120	04.08-12.15	*
1.8 TFSI (CABB)		Gasolina	FWD	1798	118	160	11.07-03.12	*
1.8 TFSI (CDHB)		Gasolina	FWD	1798	118	160	11.07-03.12	*
1.8 TFSI quattro (CDHB)		Gasolina	4WD	1798	118	160	09.08-03.12	*
1.8 TFSI (CJEB)		Gasolina	FWD	1798	125	170	11.11-12.15	*
1.8 TFSI quattro (CJEB)		Gasolina	4WD	1798	125	170	11.11-12.15	*
2.0 TFSI (CDNB)		Gasolina	FWD	1984	132	180	06.08-12.15	*
2.0 TFSI (CFKA)		Gasolina	FWD	1984	132	180	06.08-12.15	*
2.0 TFSI (CAEB)		Gasolina	FWD	1984	155	211	06.08-05.13	*
2.0 TFSI (CDNC)		Gasolina	FWD	1984	155	211	06.08-05.13	*
2.0 TFSI quattro (CAEB)		Gasolina	4WD	1984	155	211	06.08-12.15	*
2.0 TFSI quattro (CDNC)		Gasolina	4WD	1984	155	211	06.08-12.15	*
2.0 TFSI (CNCD)		Gasolina	FWD	1984	165	224	05.13-12.15	*
2.0 TFSI quattro (CNCD)		Gasolina	4WD	1984	165	224	05.13-12.15	*
3.0 TFSI quattro (CMUA)		Gasolina	4WD	2995	200	272	02.12-12.15	*
3.0 TFSI quattro (CRED)		Gasolina	4WD	2995	200	272	02.12-12.15	*
S4 quattro (CAKA)		Gasolina	4WD	2995	245	333	11.08-12.15	*
S4 quattro (CCBA)		Gasolina	4WD	2995	245	333	11.08-12.15	*
S4 quattro (CGWC)		Gasolina	4WD	2995	245	333	11.08-12.15	*
S4 quattro (CGXC)		Gasolina	4WD	2995	245	333	11.08-12.15	*
S4 quattro (CREC)		Gasolina	4WD	2995	245	333	11.08-12.15	*
S4 quattro (CTUB)		Gasolina	4WD	2995	245	333	11.08-12.15	*
3.2 FSI (CALA)		Gasolina	FWD	3197	195	265	09.08-03.12	*
3.2 FSI quattro (CALA)		Gasolina	4WD	3197	195	265	04.08-03.12	*
2.0 TFSI flexible fuel (CFKA)		Gasol./Etanol	FWD	1984	132	180	11.09-12.15	*

LISTA DE APLICACIONES - BUYERS GUIDE

2.0 TFSI flexible fuel quattro (CFKA)		Gasol./Etanol	4WD	1984	132	180	11.09-12.15	*
2.0 TDI (CAGC)		Diesel	FWD	1968	88	120	06.08-12.15	*
2.0 TDI (CJCC)		Diesel	FWD	1968	88	120	06.08-12.15	*
2.0 TDI (CAGB)		Diesel	FWD	1968	100	136	04.08-12.15	*
2.0 TDI (CJCB)		Diesel	FWD	1968	100	136	04.08-12.15	*
2.0 TDI (CSUB)		Diesel	FWD	1968	100	136	04.08-12.15	*
2.0 TDI 16V		Diesel	FWD	1968	103	140	07.08-	*
2.0 TDI (CAGA)		Diesel	FWD	1968	105	143	04.08-12.15	*
2.0 TDI (CJCA)		Diesel	FWD	1968	105	143	04.08-12.15	*
2.0 TDI (CMEA)		Diesel	FWD	1968	105	143	04.08-12.15	*
2.0 TDI (CMFA)		Diesel	FWD	1968	105	143	04.08-12.15	*
2.0 TDI quattro (CAGA)		Diesel	4WD	1968	105	143	04.08-12.15	*
2.0 TDI quattro (CJCA)		Diesel	4WD	1968	105	143	04.08-12.15	*
2.0 TDI (CJCD)		Diesel	FWD	1968	110	150	05.13-12.15	*
2.0 TDI (CMFB)		Diesel	FWD	1968	110	150	05.13-12.15	*
2.0 TDI (CSUA)		Diesel	FWD	1968	110	150	05.13-12.15	*
2.0 TDI quattro (CJCD)		Diesel	4WD	1968	110	150	05.13-12.15	*
2.0 TDI quattro (CSUA)		Diesel	4WD	1968	110	150	05.13-12.15	*
2.0 TDI (CAHB)		Diesel	FWD	1968	120	163	08.08-12.15	*
2.0 TDI (CGLD)		Diesel	FWD	1968	120	163	08.08-12.15	*
2.0 TDI (CNHC)		Diesel	FWD	1968	120	163	08.08-12.15	*
2.0 TDI (CAHA)		Diesel	FWD	1968	125	170	04.08-03.12	*
2.0 TDI quattro (CAHA)		Diesel	4WD	1968	125	170	08.08-03.12	*
2.0 TDI (CGLC)		Diesel	FWD	1968	130	177	11.11-12.15	*
2.0 TDI quattro (CGLC)		Diesel	4WD	1968	130	177	11.11-12.15	*
2.0 TDI (CNHA)		Diesel	FWD	1968	140	190	09.13-12.15	*
2.0 TDI quattro (CNHA)		Diesel	4WD	1968	140	190	09.13-12.15	*
2.7 TDI (CAMB)		Diesel	FWD	2698	120	163	04.08-03.12	*
2.7 TDI (CGKB)		Diesel	FWD	2698	120	163	04.08-03.12	*
2.7 TDI (CAMA)		Diesel	FWD	2698	140	190	04.08-03.12	*
2.7 TDI (CGKA)		Diesel	FWD	2698	140	190	04.08-03.12	*
3.0 TDI (CLAB)		Diesel	FWD	2967	150	204	11.11-12.15	*
3.0 TDI quattro (CCWB)		Diesel	4WD	2967	155	211	06.08-05.10	*
3.0 TDI		Diesel	RWD	2967	171	233	04.09-	*
3.0 TDI quattro (CAPA)		Diesel	4WD	2967	176	240	04.08-03.12	*
3.0 TDI quattro (CCLA)		Diesel	4WD	2967	176	240	04.08-03.12	*
3.0 TDI quattro (CCWA)		Diesel	4WD	2967	176	240	04.08-03.12	*
3.0 TDI quattro (CDUC)		Diesel	4WD	2967	180	245	11.11-12.15	*
3.0 TDI quattro (CKVB)		Diesel	4WD	2967	180	245	11.11-12.15	*
3.0 TDI quattro (CKVC)		Diesel	4WD	2967	180	245	11.11-12.15	*
A4 V Allroad B9 (8WH, 8WJ) 01.16-						[CAMBIADO]:Break (Compact executive car-D Segment)		
2.0 TFSI quattro (CYRC)		Gasolina	4WD	1984	183	249	05.16-10.19	*
2.0 TFSI quattro (CYMC)		Gasolina	4WD	1984	185	252	01.16-	*
2.0 TFSI quattro (CYRB)		Gasolina	4WD	1984	185	252	01.16-	*
2.0 TDI quattro (DEUB)		Diesel	4WD	1968	100	136	11.16-07.18	*
2.0 TDI quattro (DEUA)		Diesel	4WD	1968	110	150	11.16-10.19	*
2.0 TDI quattro (DETB)		Diesel	4WD	1968	120	163	05.16-10.19	*
2.0 TDI quattro (DESA)		Diesel	4WD	1968	140	190	01.16-12.19	*
2.0 TDI quattro (DETA)		Diesel	4WD	1968	140	190	01.16-12.19	*
2.0 TDI quattro (DFVA)		Diesel	4WD	1968	140	190	01.16-12.19	*

LISTA DE APLICACIONES - BUYERS GUIDE

3.0 TDI quattro (CSWB)		Diesel	4WD	2967	160	218	01.16-08.18	*
3.0 TDI quattro (CRTC)		Diesel	4WD	2967	200	272	01.16-08.18	*
A5 (8F7) 02.09-10.17					Cabrio (Compact executive car-D Segment)			
1.8 TFSI (CDHB)		Gasolina	FWD	1798	118	160	09.09-03.12	*
1.8 TFSI (CJEB)		Gasolina	FWD	1798	125	170	09.11-03.16	*
1.8 TFSI (CJEE)		Gasolina	FWD	1798	130	177	05.15-01.17	*
2.0 TFSI (CAEA)		Gasolina	FWD	1984	132	180	03.09-03.12	*
2.0 TFSI (CDNB)		Gasolina	FWD	1984	132	180	03.09-03.12	*
2.0 TFSI (CAEB)		Gasolina	FWD	1984	155	211	03.09-06.14	*
2.0 TFSI (CDNC)		Gasolina	FWD	1984	155	211	03.09-06.14	*
2.0 TFSI quattro (CAEB)		Gasolina	4WD	1984	155	211	03.09-01.17	*
2.0 TFSI quattro (CDNC)		Gasolina	4WD	1984	155	211	03.09-01.17	*
2.0 TFSI quattro (CPMA)		Gasolina	4WD	1984	155	211	03.09-01.17	*
2.0 TFSI (CAED)		Gasolina	FWD	1984	162	220	05.13-12.14	*
2.0 TFSI quattro (CPMB)		Gasolina	4WD	1984	162	220	03.12-01.17	*
2.0 TFSI (CNCD)		Gasolina	FWD	1984	165	224	05.13-05.16	*
2.0 TFSI quattro (CNCD)		Gasolina	4WD	1984	165	224	05.13-05.16	*
2.0 TFSI (CNCE)		Gasolina	FWD	1984	169	230	08.15-01.17	*
2.0 TFSI quattro (CNCE)		Gasolina	4WD	1984	169	230	08.15-01.17	*
3.0 TFSI quattro (CMUA)		Gasolina	4WD	2995	200	272	11.11-01.17	*
3.0 TFSI quattro (CRED)		Gasolina	4WD	2995	200	272	11.11-01.17	*
S5 quattro (CAKA)		Gasolina	4WD	2995	245	333	06.09-01.17	*
S5 quattro (CCBA)		Gasolina	4WD	2995	245	333	06.09-01.17	*
S5 quattro (CGWC)		Gasolina	4WD	2995	245	333	06.09-01.17	*
S5 quattro (CGXC)		Gasolina	4WD	2995	245	333	06.09-01.17	*
S5 quattro (CREC)		Gasolina	4WD	2995	245	333	06.09-01.17	*
S5 quattro (CTDA)		Gasolina	4WD	2995	245	333	06.09-01.17	*
S5 quattro (CTUB)		Gasolina	4WD	2995	245	333	06.09-01.17	*
3.2 FSI (CALA)		Gasolina	FWD	3197	195	265	03.09-03.12	*
3.2 FSI quattro (CALA)		Gasolina	4WD	3197	195	265	03.09-03.12	*
2.0 TDI (CJCA)		Diesel	FWD	1968	105	143	10.11-05.15	*
2.0 TDI (CJCD)		Diesel	FWD	1968	110	150	05.13-01.17	*
2.0 TDI (CSUA)		Diesel	FWD	1968	110	150	05.13-01.17	*
2.0 TDI (CAHB)		Diesel	FWD	1968	120	163	05.09-06.14	*
2.0 TDI (CGLD)		Diesel	FWD	1968	120	163	05.09-06.14	*
2.0 TDI (CAHA)		Diesel	FWD	1968	125	170	05.09-03.12	*
2.0 TDI (CGLC)		Diesel	FWD	1968	130	177	10.11-01.17	*
2.0 TDI quattro (CGLC)		Diesel	4WD	1968	130	177	01.12-05.15	*
2.0 TDI (CNHA)		Diesel	FWD	1968	140	190	09.13-01.17	*
2.0 TDI quattro (CNHA)		Diesel	4WD	1968	140	190	09.13-01.17	*
2.7 TDI (CGKB)		Diesel	FWD	2698	120	163	05.09-03.12	*
2.7 TDI (CGKA)		Diesel	FWD	2698	140	190	03.09-03.12	*
3.0 TDI (CLAB)		Diesel	FWD	2967	150	204	10.11-01.17	*
3.0 TDI quattro (CKVD)		Diesel	4WD	2967	160	218	05.15-01.17	*
3.0 TDI quattro (CCWA)		Diesel	4WD	2967	176	240	03.09-03.12	*
3.0 TDI quattro (CDUC)		Diesel	4WD	2967	180	245	10.11-01.17	*
3.0 TDI quattro (CKVC)		Diesel	4WD	2967	180	245	10.11-01.17	*
A5 (8T3) 06.07-10.17					Coupé (Compact executive car-D Segment)			
1.8 TFSI (CDHB)		Gasolina	FWD	1798	118	160	05.09-09.11	*
1.8 TFSI (CABD)		Gasolina	FWD	1798	125	170	10.07-01.17	*

LISTA DE APLICACIONES - BUYERS GUIDE

1.8 TFSI (CJEB)		Gasolina	FWD	1798	125	170	10.07-01.17	*
1.8 TFSI (CJEE)		Gasolina	FWD	1798	130	177	05.15-01.17	*
2.0 TFSI (CDNB)		Gasolina	FWD	1984	132	180	11.08-03.12	*
2.0 TFSI (CDNC)		Gasolina	FWD	1984	155	211	06.08-11.13	*
2.0 TFSI quattro (CAEB)		Gasolina	4WD	1984	155	211	06.08-01.17	*
2.0 TFSI quattro (CDNC)		Gasolina	4WD	1984	155	211	06.08-01.17	*
2.0 TFSI quattro (CPMA)		Gasolina	4WD	1984	155	211	06.08-01.17	*
2.0 TFSI quattro (CAED)		Gasolina	4WD	1984	162	220	03.12-01.17	*
2.0 TFSI quattro (CPMB)		Gasolina	4WD	1984	162	220	03.12-01.17	*
2.0 TFSI (CNCD)		Gasolina	FWD	1984	165	224	05.13-05.16	*
2.0 TFSI quattro (CNCD)		Gasolina	4WD	1984	165	224	05.13-05.16	*
2.0 TFSI (CNCE)		Gasolina	FWD	1984	169	230	08.15-01.17	*
2.0 TFSI quattro (CNCE)		Gasolina	4WD	1984	169	230	08.15-01.17	*
3.0 TFSI quattro (CHMB)		Gasolina	4WD	2995	200	272	12.11-01.17	*
3.0 TFSI quattro (CMUA)		Gasolina	4WD	2995	200	272	12.11-01.17	*
3.0 TFSI quattro (CRED)		Gasolina	4WD	2995	200	272	12.11-01.17	*
S5 quattro (CAKA)		Gasolina	4WD	2995	245	333	10.11-01.17	*
S5 quattro (CGWC)		Gasolina	4WD	2995	245	333	10.11-01.17	*
S5 quattro (CGXC)		Gasolina	4WD	2995	245	333	10.11-01.17	*
S5 quattro (CREC)		Gasolina	4WD	2995	245	333	10.11-01.17	*
S5 quattro (CTDA)		Gasolina	4WD	2995	245	333	10.11-01.17	*
S5 quattro (CTUB)		Gasolina	4WD	2995	245	333	10.11-01.17	*
3.2 FSI (CALA)		Gasolina	FWD	3197	195	265	06.07-03.12	*
3.2 FSI quattro (CALA)		Gasolina	4WD	3197	195	265	06.07-03.12	*
S5 quattro (CAUA)		Gasolina	4WD	4163	260	354	06.07-03.12	*
2.0 TDI (CAHB)		Diesel	FWD	1968	120	163	08.08-01.17	*
2.0 TDI (CGLD)		Diesel	FWD	1968	120	163	08.08-01.17	*
2.0 TDI (CNHC)		Diesel	FWD	1968	120	163	08.08-01.17	*
2.0 TDI (CAHA)		Diesel	FWD	1968	125	170	08.08-03.12	*
2.0 TDI quattro (CAHA)		Diesel	4WD	1968	125	170	08.08-03.12	*
2.0 TDI (CGLC)		Diesel	FWD	1968	130	177	10.11-01.17	*
2.0 TDI quattro (CGLC)		Diesel	4WD	1968	130	177	12.11-01.17	*
2.0 TDI (CNHA)		Diesel	FWD	1968	140	190	09.13-01.17	*
2.0 TDI quattro (CNHA)		Diesel	4WD	1968	140	190	09.13-01.17	*
2.7 TDI (CAMB)		Diesel	FWD	2698	120	163	09.07-03.12	*
2.7 TDI (CGKB)		Diesel	FWD	2698	120	163	09.07-03.12	*
2.7 TDI (CAMA)		Diesel	FWD	2698	140	190	06.07-03.12	*
2.7 TDI (CGKA)		Diesel	FWD	2698	140	190	06.07-03.12	*
3.0 TDI (CLAB)		Diesel	FWD	2967	150	204	10.11-01.17	*
3.0 TDI quattro (CCWB)		Diesel	4WD	2967	155	211	03.08-05.10	*
3.0 TDI quattro (CKVD)		Diesel	4WD	2967	160	218	05.15-01.17	*
3.0 TDI quattro (CAPA)		Diesel	4WD	2967	176	240	06.07-03.12	*
3.0 TDI quattro (CCWA)		Diesel	4WD	2967	176	240	06.07-03.12	*
3.0 TDI quattro (CDUC)		Diesel	4WD	2967	180	245	10.11-01.17	*
3.0 TDI quattro (CKVB)		Diesel	4WD	2967	180	245	10.11-01.17	*
3.0 TDI quattro (CKVC)		Diesel	4WD	2967	180	245	10.11-01.17	*
A5 II (F57, F5E) 11.16-							Cabrio (Compact executive car-D Segment)	
2.0 TFSI quattro (CYMC)		Gasolina	4WD	1984	185	252	11.16-	*
2.0 TFSI quattro (CYRB)		Gasolina	4WD	1984	185	252	11.16-	*
S5 TFSI quattro (CWGD)		Gasolina	4WD	2995	260	354	03.17-	*
2.0 TDI (DETA)		Diesel	FWD	1968	140	190	11.16-12.19	*

LISTA DE APLICACIONES - BUYERS GUIDE

3.0 TDI quattro (CSWB)	Diesel	4WD	2967	160	218	12.16-08.18	*
A5 II (F53, F5P) 06.16-				Coupé (Compact executive car-D Segment)			
2.0 TFSI (CVKB)	Gasolina	FWD	1984	140	190	09.16-02.20	*
2.0 TFSI (DKYA)	Gasolina	FWD	1984	140	190	09.16-02.20	*
2.0 TFSI quattro (CYRC)	Gasolina	4WD	1984	183	249	06.16-02.20	*
2.0 TFSI (CYRB)	Gasolina	FWD	1984	185	252	11.16-02.20	*
2.0 TFSI quattro (CYMC)	Gasolina	4WD	1984	185	252	06.16-	*
2.0 TFSI quattro (CYRB)	Gasolina	4WD	1984	185	252	06.16-	*
S5 TFSI quattro (CWGD)	Gasolina	4WD	2995	260	354	07.16-	*
2.0 TDI (DESA)	Diesel	FWD	1968	140	190	07.16-02.20	*
2.0 TDI (DETA)	Diesel	FWD	1968	140	190	07.16-02.20	*
2.0 TDI quattro (DESA)	Diesel	4WD	1968	140	190	10.16-12.19	*
2.0 TDI quattro (DETA)	Diesel	4WD	1968	140	190	10.16-12.19	*
3.0 TDI (CSWB)	Diesel	FWD	2967	160	218	11.16-08.18	*
3.0 TDI quattro (CSWB)	Diesel	4WD	2967	160	218	07.16-08.18	*
A5 II Sportback (F5A, F5F) 06.16-				[CAMBIADO]:Fastback (Compact executive car-D Segment)			
2.0 TFSI quattro (CYRC)	Gasolina	4WD	1984	183	249	09.16-02.20	*
2.0 TFSI (CYRB)	Gasolina	FWD	1984	185	252	11.16-02.20	*
2.0 TFSI quattro (CYMC)	Gasolina	4WD	1984	185	252	09.16-	*
2.0 TFSI quattro (CYRB)	Gasolina	4WD	1984	185	252	09.16-	*
S5 TFSI quattro (CWGD)	Gasolina	4WD	2995	260	354	09.16-	*
2.0 TDI (DESA)	Diesel	FWD	1968	140	190	09.16-04.20	*
2.0 TDI (DETA)	Diesel	FWD	1968	140	190	09.16-04.20	*
2.0 TDI quattro (DESA)	Diesel	4WD	1968	140	190	10.16-02.20	*
2.0 TDI quattro (DETA)	Diesel	4WD	1968	140	190	10.16-02.20	*
3.0 TDI quattro (CSWB)	Diesel	4WD	2967	160	218	09.16-08.18	*
A5 Sportback (8TA) 07.07-10.17				[CAMBIADO]:Fastback (Compact executive car-D Segment)			
1.8 TFSI (CJED)	Gasolina	FWD	1798	106	144	09.14-01.17	*
1.8 TFSI (CDHB)	Gasolina	FWD	1798	118	160	11.09-09.11	*
1.8 TFSI (CJEB)	Gasolina	FWD	1798	125	170	08.11-01.17	*
1.8 TFSI (CJEE)	Gasolina	FWD	1798	130	177	05.15-01.17	*
2.0 TFSI (CDNB)	Gasolina	FWD	1984	132	180	09.09-06.14	*
2.0 TFSI (CDNC)	Gasolina	FWD	1984	155	211	09.09-11.13	*
2.0 TFSI quattro (CDNC)	Gasolina	4WD	1984	155	211	09.09-01.17	*
2.0 TFSI (CNCD)	Gasolina	FWD	1984	165	224	05.13-05.16	*
2.0 TFSI quattro (CNCD)	Gasolina	4WD	1984	165	224	05.13-05.16	*
2.0 TFSI (CNCE)	Gasolina	FWD	1984	169	230	08.15-01.17	*
2.0 TFSI quattro (CNCE)	Gasolina	4WD	1984	169	230	08.15-01.17	*
3.0 TFSI quattro (CHMB)	Gasolina	4WD	2995	200	272	12.11-01.17	*
3.0 TFSI quattro (CMUA)	Gasolina	4WD	2995	200	272	12.11-01.17	*
3.0 TFSI quattro (CRED)	Gasolina	4WD	2995	200	272	12.11-01.17	*
S5 quattro (CAKA)	Gasolina	4WD	2995	245	333	01.10-01.17	*
S5 quattro (CGWC)	Gasolina	4WD	2995	245	333	01.10-01.17	*
S5 quattro (CREC)	Gasolina	4WD	2995	245	333	01.10-01.17	*
S5 quattro (CTDA)	Gasolina	4WD	2995	245	333	01.10-01.17	*
3.2 FSI quattro (CALA)	Gasolina	4WD	3197	195	265	09.09-03.12	*
2.0 TDI (CAGB)	Diesel	FWD	1968	100	136	09.09-01.17	*
2.0 TDI (CJCB)	Diesel	FWD	1968	100	136	09.09-01.17	*
2.0 TDI (CSUB)	Diesel	FWD	1968	100	136	09.09-01.17	*
2.0 TDI (CAGA)	Diesel	FWD	1968	105	143	09.09-01.17	*

LISTA DE APLICACIONES - BUYERS GUIDE

2.0 TDI (CJCA)	Diesel	FWD	1968	105	143	09.09-01.17	*	
2.0 TDI (CMEA)	Diesel	FWD	1968	105	143	09.09-01.17	*	
2.0 TDI (CMFA)	Diesel	FWD	1968	105	143	09.09-01.17	*	
2.0 TDI (CJCD)	Diesel	FWD	1968	110	150	05.13-01.17	*	
2.0 TDI (CMFB)	Diesel	FWD	1968	110	150	05.13-01.17	*	
2.0 TDI (CSUA)	Diesel	FWD	1968	110	150	05.13-01.17	*	
2.0 TDI (CAHB)	Diesel	FWD	1968	120	163	09.09-01.17	*	
2.0 TDI (CGLD)	Diesel	FWD	1968	120	163	09.09-01.17	*	
2.0 TDI (CNHC)	Diesel	FWD	1968	120	163	09.09-01.17	*	
2.0 TDI (CAHA)	Diesel	FWD	1968	125	170	09.09-03.12	*	
2.0 TDI quattro (CAHA)	Diesel	4WD	1968	125	170	09.09-03.12	*	
2.0 TDI (CGLC)	Diesel	FWD	1968	130	177	10.11-01.17	*	
2.0 TDI quattro (CGLC)	Diesel	4WD	1968	130	177	12.11-01.17	*	
2.0 TDI (CNHA)	Diesel	FWD	1968	140	190	09.13-01.17	*	
2.0 TDI quattro (CNHA)	Diesel	4WD	1968	140	190	09.13-01.17	*	
2.7 TDI (CGKB)	Diesel	FWD	2698	120	163	09.09-03.12	*	
2.7 TDI (CAMA)	Diesel	FWD	2698	140	190	09.09-03.12	*	
2.7 TDI (CGKA)	Diesel	FWD	2698	140	190	09.09-03.12	*	
3.0 TDI (CLAB)	Diesel	FWD	2967	150	204	10.11-01.17	*	
3.0 TDI quattro (CKVD)	Diesel	4WD	2967	160	218	05.15-01.17	*	
3.0 TDI quattro (CCWA)	Diesel	4WD	2967	176	240	09.09-03.12	*	
3.0 TDI quattro (CDUC)	Diesel	4WD	2967	180	245	10.11-01.17	*	
3.0 TDI quattro (CKVB)	Diesel	4WD	2967	180	245	10.11-01.17	*	
3.0 TDI quattro (CKVC)	Diesel	4WD	2967	180	245	10.11-01.17	*	
A6 IV C7 (4G2, 4GC) 11.10-					Sedán (Executive car-E Segment)			
3.0 TFSI quattro	Gasolina	4WD	2995	250	340	09.16-09.18	*	
Q5 (8RB) 11.08-					SUV (Luxury Crossover SUV-J Segment)			
SQ5 TFSI quattro (CTUD)	Gasolina	4WD	2995	260	354	05.13-05.17	*	
SQ5 TFSI quattro (CTXA)	Gasolina	4WD	2995	260	354	05.13-05.17	*	
SQ5 TFSI	Gasolina	FWD	2995	264	359	03.14-	*	