

LISTA DE APLICACIONES - BUYERS GUIDE

RB1860

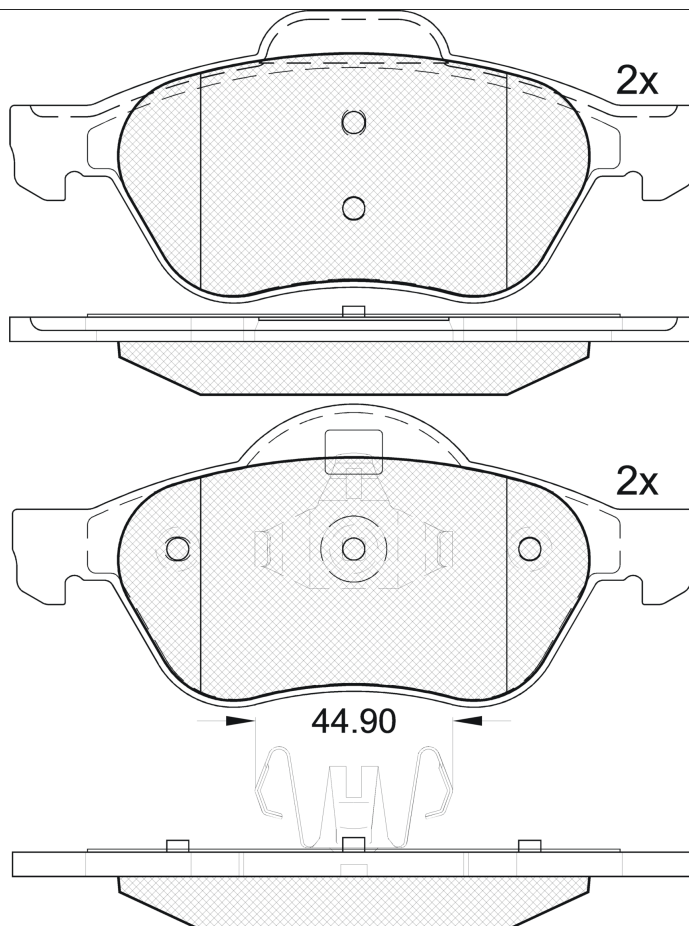


8 424073 135575

Qty: 300

Weight: 1.855

O.E.M.	MAKE
41 06 000 12R	RENAULT
41 06 012 37R	RENAULT
77 01 209 100	RENAULT
77 01 209 670	RENAULT
77 01 210 127	RENAULT
77 11 130 086	RENAULT
86 60 004 701	RENAULT
86 71 016 654	RENAULT



RB1860

E 9 90R-01111/2210



Ate - Teves

155.2x68.9x18.3
156.3x66.5x18.3

WVA	FMSI
23215	D1542-8750
24535	

Sin Filas



Trac.	CC	Kw	CV		
					Front / Rear

RENAULT

						[CAMBIADO]:Fastback (Supermini car-B Segment)					
CLIO II / EURO CLIO (BR0/1, CR0/1) 01.05-											
2.0 16V (BR0C, BR0K, CR0C, CR0K) (M4R 700)		Gasolina	FWD	1997	102	139	09.06-12.14	*			
2.0 16V (BR0C, BR0K, CR0C, CR0K) (M4R 701)		Gasolina	FWD	1997	102	139	09.06-12.14	*			
2.0 16V Sport (F4R 832)		Gasolina	FWD	1998	148	200	09.08-12.14	*			
GRAND SCÉNIC II (JM0/1_) 04.04-						MPV (Compact MPV-M1 Segment)					
1.6 (K4M 788)		Gasolina	FWD	1598	77	105	06.06-11.08	*			
1.6 (K4M 812)		Gasolina	FWD	1598	82	112	06.06-11.08	*			
1.6 Flex (K4M 766)		Gasol./Etanol	FWD	1598	82	112	06.06-06.09	*			
LAGUNA III (BT0/1) 10.07-						[CAMBIADO]:Fastback (Large family car-D Segment)					
1.6 16V (BT04, BT0D, BT0U) (K4M 824)		Gasolina	FWD	1598	81	110	10.07-12.15	*			
1.5 dCi (BT00, BT0A, BT0T, BT1J) (K9K 780)		Diesel	FWD	1461	81	110	10.07-12.15	*			
1.5 dCi (BT00, BT0A, BT0T, BT1J) (K9K 782)		Diesel	FWD	1461	81	110	10.07-12.15	*			
LAGUNA III (DT0/1) 09.08-						Coupé (Large family car-D Segment)					
1.5 dCi (K9K 846)		Diesel	FWD	1461	81	110	03.12-12.15	*			
LAGUNA III Grandtour (KT0/1) 10.07-						[CAMBIADO]:Break (Large family car-D Segment)					
1.6 16V (KT0D) (K4M 824)		Gasolina	FWD	1598	81	110	10.07-12.15	*			
1.5 dCi (KT0A, KT0R, KT02) (K9K 780)		Diesel	FWD	1461	81	110	10.07-12.15	*			
1.5 dCi (KT0A, KT0R, KT02) (K9K 782)		Diesel	FWD	1461	81	110	10.07-12.15	*			
1.5 dCi (KT0A, KT0R, KT02) (K9K 846)		Diesel	FWD	1461	81	110	10.07-12.15	*			
MEGANE II (KM0/1_) 08.03-08.12						[CAMBIADO]:Break (Compact car-C Segment)					
1.4 (K4J 730)		Gasolina	FWD	1390	72	98	08.03-07.09	*			

LISTA DE APLICACIONES - BUYERS GUIDE

1.4 (K4J 740)		Gasolina	FWD	1390	72	98	08.03-07.09	*
1.6 16V (K4M 768)		Gasolina	FWD	1598	75	102	05.05-07.09	*
1.6 16V (K4M 762)		Gasolina	FWD	1598	77	105	05.05-07.09	*
1.6 16V (K4M 762)		Gasolina	FWD	1598	81	110	05.06-10.11	*
1.6 16V (K4M 760)		Gasolina	FWD	1598	82	112	01.06-08.09	*
1.6 16V (K4M 761)		Gasolina	FWD	1598	82	112	01.06-08.09	*
1.6 16V (K4M 812)		Gasolina	FWD	1598	82	112	01.06-08.09	*
1.6 16V (K4M 813)		Gasolina	FWD	1598	82	112	01.06-08.09	*
1.6 (K4M 760)		Gasolina	FWD	1598	83	113	08.03-07.09	*
1.6 (K4M 761)		Gasolina	FWD	1598	83	113	08.03-07.09	*
2.0 (F4R 770)		Gasolina	FWD	1998	99	135	08.03-07.09	*
2.0 (F4R 771)		Gasolina	FWD	1998	99	135	08.03-07.09	*
2.0 (KM0S, KM2N, KM23) (F4R 770)		Gasolina	FWD	1998	102	138	12.06-01.11	*
2.0 (KM0S, KM2N, KM23) (F4R 771)		Gasolina	FWD	1998	102	138	12.06-01.11	*
1.6 LPG 16V (K4M 760)		Gasol./G as (LPG)	FWD	1598	82	112	01.06-08.09	*
1.6 16V Hi-Flex (K4M 856)		Gasol./Et anol	FWD	1598	77	105	02.08-07.09	*
1.6 Flex		Gasol./Et anol	FWD	1598	81	110	12.06-08.12	*
1.5 dCi (KM0F, KM0T, KM2B) (K9K 722)		Diesel	FWD	1461	60	82	08.03-05.06	*
1.5 dCi (KM1F) (K9K 724)		Diesel	FWD	1461	63	86	05.05-07.09	*
1.5 dCi (KM02, KM13) (K9K 728)		Diesel	FWD	1461	74	101	02.04-03.06	*
1.5 dCi (KM02, KM13) (K9K 729)		Diesel	FWD	1461	74	101	02.04-03.06	*
1.5 dCi (KM16) (K9K 734)		Diesel	FWD	1461	76	103	01.07-07.09	*
1.5 dCi (KM16, KM1E) (K9K 732)		Diesel	FWD	1461	78	106	05.05-06.08	*
1.9 dCi (F9Q 808)		Diesel	FWD	1870	68	92	03.04-02.07	*
1.9 dCi (F9Q 804)		Diesel	FWD	1870	81	110	05.05-07.09	*
1.9 dCi (F9Q 818)		Diesel	FWD	1870	81	110	05.05-07.09	*
1.9 dCi (KM14) (F9Q 818)		Diesel	FWD	1870	85	115	05.05-07.09	*
1.9 dCi (KMRG, KM1G, KM0G, KM2C) (F9Q 800)		Diesel	FWD	1870	88	120	08.03-07.09	*
1.9 dCi (KM14) (F9Q 803)		Diesel	FWD	1870	96	131	05.05-07.09	*
1.9 dCi (KM14) (F9Q 804)		Diesel	FWD	1870	96	131	05.05-07.09	*
2.0 dCi (M9R 700)		Diesel	FWD	1995	110	150	09.05-07.09	*
2.0 dCi (M9R 722)		Diesel	FWD	1995	110	150	09.05-07.09	*
[CAMBIADO]:Fastback (Compact car-C Segment)								
MEGANE II (BM0/1_, CM0/1_) 07.01-10.12								
1.4 16V (K4J 732)		Gasolina	FWD	1390	60	82	10.03-02.08	*
1.4 16V (BM0B, CM0B) (K4J 730)		Gasolina	FWD	1390	72	98	11.02-02.08	*
1.4 16V (BM0B, CM0B) (K4J 740)		Gasolina	FWD	1390	72	98	11.02-02.08	*
1.6 (K4M 788)		Gasolina	FWD	1598	77	105	06.05-02.08	*
1.6 16V (K4M 760)		Gasolina	FWD	1598	82	112	01.06-06.08	*
1.6 16V (K4M 812)		Gasolina	FWD	1598	82	112	01.06-06.08	*
1.6 16V (K4M 813)		Gasolina	FWD	1598	82	112	01.06-06.08	*
1.6 16V (BM0C, CM0C) (K4M 760)		Gasolina	FWD	1598	83	113	11.02-02.08	*
2.0 16V (BM0U, CM0U) (F4R 770)		Gasolina	FWD	1998	99	135	11.02-02.08	*
2.0 16V Turbo (F4R 776)		Gasolina	FWD	1998	120	163	05.04-02.08	*
1.6 BiFuel (K4M 788)		Gasol./G as (LPG)	FWD	1598	77	105	06.05-02.08	*
1.6 Flex-Fuel (K4M 788)		Gasol./Et anol	FWD	1598	77	105	01.07-02.08	*
1.5 dCi (BM0F, BM0T, BM2B, CM0F, CM0T) (K9K 722)		Diesel	FWD	1461	60	82	09.02-02.08	*
1.5 dCi (BM1F, CM1F) (K9K 724)		Diesel	FWD	1461	63	86	05.05-02.08	*
1.5 dCi (BM02, BM13, BM2A, CM02, CM13) (K9K 728)		Diesel	FWD	1461	74	101	10.03-02.08	*

LISTA DE APLICACIONES - BUYERS GUIDE

1.5 dCi (BM02, BM13, BM2A, CM02, CM13) (K9K 729)	Diesel	FWD	1461	74	101	10.03-02.08	*
1.5 dCi (BM16, CM16) (K9K 734)	Diesel	FWD	1461	76	103	01.07-03.09	*
1.5 dCi (BM1E, CM1E) (K9K 732)	Diesel	FWD	1461	78	106	05.05-06.08	*
1.9 dCi (F9Q 808)	Diesel	FWD	1870	66	90	11.02-12.05	*
1.9 dCi (F9Q 808)	Diesel	FWD	1870	68	92	03.04-08.06	*
1.9 dCi (F9Q 804)	Diesel	FWD	1870	81	110	05.05-02.08	*
1.9 dCi (F9Q 818)	Diesel	FWD	1870	81	110	05.05-02.08	*
1.9 dCi (F9Q 804)	Diesel	FWD	1870	85	115	11.02-02.08	*
1.9 dCi (F9Q 816)	Diesel	FWD	1870	85	115	11.02-02.08	*
1.9 dCi (F9Q 818)	Diesel	FWD	1870	85	115	11.02-02.08	*
1.9 dCi (BM0G, CM0G) (F9Q 800)	Diesel	FWD	1870	88	120	11.02-02.08	*
1.9 dCi (F9Q 803)	Diesel	FWD	1870	96	131	05.05-12.09	*
1.9 dCi (F9Q 804)	Diesel	FWD	1870	96	131	05.05-12.09	*
1.9 dCi (F9Q 816)	Diesel	FWD	1870	96	131	05.05-12.09	*
1.9 dCi (F9Q 818)	Diesel	FWD	1870	96	131	05.05-12.09	*
2.0 dCi (BM1K, CM1K) (M9R 700)	Diesel	FWD	1995	110	150	09.05-02.08	*
2.0 dCi (BM1K, CM1K) (M9R 722)	Diesel	FWD	1995	110	150	09.05-02.08	*
2.0 dCi (M9R 724)	Diesel	FWD	1995	127	173	01.07-02.08	*
MEGANE II (KM_) 08.03-07.09						[CAMBIADO]:Furgón/Break (Compact car-C Segment)	
1.6 (KM0C) (K4M 780)	Gasolina	FWD	1598	82	111	10.03-01.08	*
1.5 dCi (KM0F) (K9K 722)	Diesel	FWD	1461	60	82	08.03-07.09	*
1.5 dCi (KM1F) (K9K 724)	Diesel	FWD	1461	63	86	05.05-07.09	*
1.5 dCi (KM02) (K9K 728)	Diesel	FWD	1461	74	101	08.03-07.09	*
1.5 dCi (KM1E) (K9K 732)	Diesel	FWD	1461	78	106	08.03-07.09	*
1.9 dCi (KM14) (F9Q E 804)	Diesel	FWD	1870	96	131	02.06-10.06	*
MEGANE II (EM0/1_) 09.03-03.10						Cabrio (Compact car-C Segment)	
1.6 (K4M 788)	Gasolina	FWD	1598	77	105	06.05-03.09	*
1.6 16V (K4M 760)	Gasolina	FWD	1598	82	112	01.06-06.08	*
1.6 16V (K4M 761)	Gasolina	FWD	1598	82	112	01.06-06.08	*
1.6 16V (K4M 812)	Gasolina	FWD	1598	82	112	01.06-06.08	*
1.6 16V (K4M 813)	Gasolina	FWD	1598	82	112	01.06-06.08	*
1.6 (K4M 760)	Gasolina	FWD	1598	83	113	09.03-03.09	*
1.6 (K4M 761)	Gasolina	FWD	1598	83	113	09.03-03.09	*
2.0 (F4R 770)	Gasolina	FWD	1998	99	135	09.03-12.09	*
2.0 (F4R 771)	Gasolina	FWD	1998	99	135	09.03-12.09	*
2.0 (EM0S) (F4R 770)	Gasolina	FWD	1998	102	139	09.03-02.07	*
2.0 (EM0S) (F4R 771)	Gasolina	FWD	1998	102	139	09.03-02.07	*
2.0 16V Turbo (F4R 776)	Gasolina	FWD	1998	120	163	05.04-03.09	*
1.5 dCi (EM16) (K9K 734)	Diesel	FWD	1461	76	103	01.07-06.09	*
1.5 dCi (EM1E) (K9K 732)	Diesel	FWD	1461	78	106	03.06-01.09	*
1.9 dCi (F9Q 804)	Diesel	FWD	1870	81	110	05.05-03.09	*
1.9 dCi (F9Q 816)	Diesel	FWD	1870	81	110	05.05-03.09	*
1.9 dCi (F9Q 818)	Diesel	FWD	1870	81	110	05.05-03.09	*
1.9 dCi (F9Q 804)	Diesel	FWD	1870	85	115	09.03-03.09	*
1.9 dCi (F9Q 816)	Diesel	FWD	1870	85	115	09.03-03.09	*
1.9 dCi (F9Q 818)	Diesel	FWD	1870	85	115	09.03-03.09	*
1.9 dCi (F9Q 800)	Diesel	FWD	1870	88	120	09.03-03.09	*
1.9 dCi (F9Q 803)	Diesel	FWD	1870	96	131	05.05-02.07	*
1.9 dCi (F9Q 804)	Diesel	FWD	1870	96	131	05.05-02.07	*
2.0 dCi (M9R 700)	Diesel	FWD	1995	110	150	09.05-03.09	*

LISTA DE APLICACIONES - BUYERS GUIDE

2.0 dCi (M9R 722)	Diesel	FWD	1995	110	150	09.05-03.09	*
MEGANE II (LM0/1_) 08.03-				Sedán (Compact car-C Segment)			
1.4 (K4J 732)	Gasolina	FWD	1390	60	82	09.03-	*
1.4 (K4J 730)	Gasolina	FWD	1390	72	98	09.03-	*
1.4 (K4J 740)	Gasolina	FWD	1390	72	98	09.03-	*
1.6	Gasolina	FWD	1598	75	102	09.03-	*
1.6 (K4M 762)	Gasolina	FWD	1598	77	105	05.05-	*
1.6 (K4M 760)	Gasolina	FWD	1598	81	110	09.03-11.08	*
1.6 (K4M 761)	Gasolina	FWD	1598	81	110	09.03-11.08	*
1.6 16V (LM1R, LM0C) (K4M 760)	Gasolina	FWD	1598	82	112	01.06-	*
1.6 16V (LM1R, LM0C) (K4M 761)	Gasolina	FWD	1598	82	112	01.06-	*
1.6 16V (LM1R, LM0C) (K4M 812)	Gasolina	FWD	1598	82	112	01.06-	*
1.6 16V (LM1R, LM0C) (K4M 813)	Gasolina	FWD	1598	82	112	01.06-	*
1.6 (K4M 760)	Gasolina	FWD	1598	83	113	09.03-	*
1.6 (K4M 761)	Gasolina	FWD	1598	83	113	09.03-	*
2.0 (F4R 770)	Gasolina	FWD	1998	99	135	09.03-	*
2.0 (F4R 771)	Gasolina	FWD	1998	99	135	09.03-	*
2.0 (F4R 770)	Gasolina	FWD	1998	101	138	04.06-11.10	*
1.5 dCi (LM0F, LM0T, LM2B) (K9K 722)	Diesel	FWD	1461	60	82	08.03-12.10	*
1.5 dCi (LM1F) (K9K 724)	Diesel	FWD	1461	63	86	05.05-12.10	*
1.5 dCi (LM02, LM13, LM2A) (K9K 728)	Diesel	FWD	1461	74	101	02.04-12.10	*
1.5 dCi (LM02, LM13, LM2A) (K9K 729)	Diesel	FWD	1461	74	101	02.04-12.10	*
1.5 dCi (LM16) (K9K 734)	Diesel	FWD	1461	76	103	10.03-12.10	*
1.5 dCi (LM1E) (K9K 732)	Diesel	FWD	1461	78	106	05.05-12.10	*
1.9 dCi (F9Q 808)	Diesel	FWD	1870	66	90	09.03-12.05	*
1.9 dCi (F9Q 808)	Diesel	FWD	1870	68	92	03.04-	*
1.9 dCi (LM14, LM1D) (F9Q 803)	Diesel	FWD	1870	81	110	05.05-	*
1.9 dCi (LM14, LM1D) (F9Q 804)	Diesel	FWD	1870	81	110	05.05-	*
1.9 dCi (LM14, LM1D) (F9Q 816)	Diesel	FWD	1870	81	110	05.05-	*
1.9 dCi (LM14, LM1D) (F9Q 818)	Diesel	FWD	1870	81	110	05.05-	*
1.9 dCi (LM0G, LM1G, LM2C) (F9Q 800)	Diesel	FWD	1870	88	120	09.03-	*
1.9 dCi (F9Q 803)	Diesel	FWD	1870	96	131	05.05-	*
1.9 dCi (F9Q 804)	Diesel	FWD	1870	96	131	05.05-	*
2.0 dCi (M9R 700)	Diesel	FWD	1995	110	150	09.05-	*
2.0 dCi (M9R 722)	Diesel	FWD	1995	110	150	09.05-	*
MEGANE II Hatchback Van (KM0/2_) 08.03-07.09				Furgón/hatchback (Compact car-C Segment)			
1.5 dCi (K9K 722)	Diesel	FWD	1461	60	82	08.03-02.08	*
1.5 dCi (K9K 724)	Diesel	FWD	1461	63	86	04.05-02.08	*
1.5 dCi (K9K 728)	Diesel	FWD	1461	74	101	08.03-02.08	*
1.5 dCi (K9K 734)	Diesel	FWD	1461	76	103	01.07-03.09	*
1.5 dCi (K9K 732)	Diesel	FWD	1461	78	106	05.05-02.08	*
SCÉNIC II (JM0/1_) 06.03-				MPV (Compact MPV-M1 Segment)			
1.4 (JM0B, JM0H, JM1A) (K4J 730)	Gasolina	FWD	1390	72	98	06.03-11.08	*
1.4 (JM0B, JM0H, JM1A) (K4J 740)	Gasolina	FWD	1390	72	98	06.03-11.08	*
1.4 (JM0B, JM0H, JM1A) (K4J 770)	Gasolina	FWD	1390	72	98	06.03-11.08	*
1.6 (K4M 788)	Gasolina	FWD	1598	77	105	06.06-11.08	*
1.6 16V (JM1R, JM1B, JM2Y) (K4M 706)	Gasolina	FWD	1598	82	112	10.05-11.08	*
1.6 16V (JM1R, JM1B, JM2Y) (K4M 766)	Gasolina	FWD	1598	82	112	10.05-11.08	*
1.6 16V (JM1R, JM1B, JM2Y) (K4M 812)	Gasolina	FWD	1598	82	112	10.05-11.08	*
1.6 16V (JM1R, JM1B, JM2Y) (K4M 813)	Gasolina	FWD	1598	82	112	10.05-11.08	*

LISTA DE APLICACIONES - BUYERS GUIDE

1.6 (JM0C, JM0J, JM1B) (K4M 761)	Gasolina	FWD	1598	83	113	06.03-10.06	*
1.6 (JM0C, JM0J, JM1B) (K4M 782)	Gasolina	FWD	1598	83	113	06.03-10.06	*
1.6 BiFuel (K4M 764)	Gasol./Gas (LPG)	FWD	1598	83	113	08.03-05.06	*
1.6 Hi-Flex (K4M 766)	Gasol./Etanol	FWD	1598	81	110	03.05-07.10	*
1.5 dCi (JM0F) (K9K 722)	Diesel	FWD	1461	60	82	06.03-05.06	*
1.5 dCi (JM1F) (K9K 724)	Diesel	FWD	1461	63	86	05.05-11.08	*
1.5 dCi (JM02, JM13) (K9K 728)	Diesel	FWD	1461	74	101	11.03-08.05	*
1.5 dCi (JM02, JM13) (K9K 729)	Diesel	FWD	1461	74	101	11.03-08.05	*
1.5 dCi (JM16) (K9K 728)	Diesel	FWD	1461	76	103	01.07-11.08	*
1.5 dCi (JM16) (K9K 734)	Diesel	FWD	1461	76	103	01.07-11.08	*
1.5 dCi (JM1E, JM16) (K9K 732)	Diesel	FWD	1461	78	106	05.05-11.08	*
1.5 dCi (JM1E, JM16) (K9K 734)	Diesel	FWD	1461	78	106	05.05-11.08	*
TWINGO II (CN0_) 03.07-						[CAMBIADO]:Fastback (City car-A Segment)	
1.6 RS (CN0N, CN0R, CN0S) (K4M 854)	Gasolina	FWD	1598	98	133	05.08-09.14	*
WIND (E4M_) 07.10-						Cabrío (Compact car-C Segment)	
1.2 (E4MF) (D4F 782)	Gasolina	FWD	1149	74	101	07.10-05.11	*
1.2 TCe 100 (E4MF) (D4F 780)	Gasolina	FWD	1149	75	102	02.11-08.13	*
1.6 (E4MB, E4MC) (K4M 854)	Gasolina	FWD	1598	98	133	07.10-08.13	*