

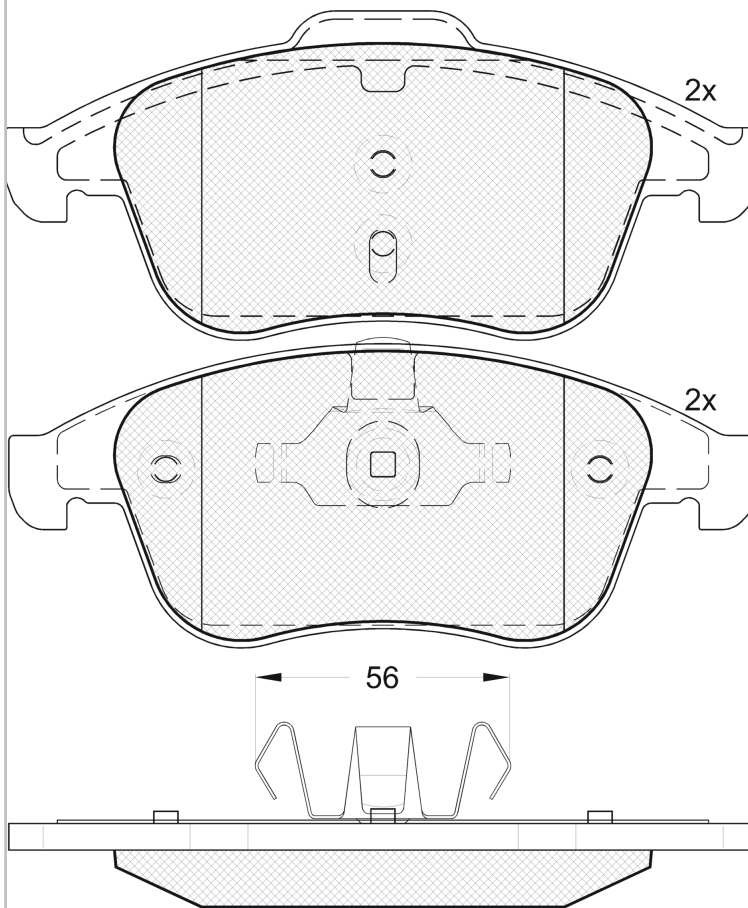
LISTA DE APLICACIONES - BUYERS GUIDE

RB1859



Qty: 300

Weight: 1.936



RB1859

E 9 90R-01111/2468

Ate - Teves

155x63.08x18

156.5x68.28x18

WVA

24709

24870

FMSI

D1756-8984

Sin Filas

O.E.M.	MAKE
41 06 000 32R	RENAULT
41 06 029 33R	RENAULT
41 06 031 52R	RENAULT
44 06 000 11R	RENAULT
44 06 000 32R	RENAULT
86 60 000 766	RENAULT
86 60 004 534	RENAULT



Trac.	CC	Kw	CV
-------	----	----	----



Front / Rear

RENAULT

						[CAMBIADO]:Fastback (Supermini car-B Segment)				
CLIO IV (BH_) 11.12-										
1.6 RS (BHJ4, BHJ6, BHMM) (M5M 400)		Gasolina	FWD	1618	147	200	03.13-08.21	*		
1.6 RS (BHJ4, BHJ6, BHMM) (M5M 401)		Gasolina	FWD	1618	147	200	03.13-08.21	*		
1.6 RS (BHJ4, BHJ6, BHMM) (M5M 450)		Gasolina	FWD	1618	147	200	03.13-08.21	*		
1.6 RS Trophy (BHJ4, BHJ6) (M5M 401)		Gasolina	FWD	1618	162	220	03.15-08.21	*		
GRAND SCÉNIC III (JZ0/1_) 02.09-						MPV (Compact MPV-M1 Segment)				
1.2 TCe (JZ11, JZ28) (H5F 400)		Gasolina	FWD	1197	85	116	04.12-09.16	*		
1.2 TCe (JZ28) (H5F 408)		Gasolina	FWD	1197	96	131	07.14-09.16	*		
1.2 TCe (JZ16) (H5F 404)		Gasolina	FWD	1197	97	132	01.13-09.16	*		
1.4 16V (JZ0F) (H4J 700)		Gasolina	FWD	1397	96	131	02.09-09.16	*		
1.6 16V (JZ0U) (K4M 858)		Gasolina	FWD	1598	81	109	02.09-09.16	*		
2.0 16V (JZ0G) (M4R 711)		Gasolina	FWD	1997	103	140	02.09-09.16	*		
1.6 16V Bifuel (JZ1Y) (K4M 866)		Gasol./Gas (LPG)	FWD	1598	79	107	04.12-09.16	*		
1.6 16V Bifuel (JZ1Y) (K4M 866)		Gasol./Gas (LPG)	FWD	1598	81	110	02.09-09.16	*		
1.6 E85 (JZ03, JZ1Y) (K4M 866)		Gasol./Etanol	FWD	1598	81	110	02.09-09.16	*		
1.5 dCi (JZ0A) (K9K 830)		Diesel	FWD	1461	63	86	04.09-09.16	*		
1.5 dCi (JZ02, JZ0R) (K9K 846)		Diesel	FWD	1461	70	95	11.10-09.16	*		
1.5 dCi (JZ0B, JZ07) (K9K 832)		Diesel	FWD	1461	78	106	02.09-09.16	*		
1.5 dCi (JZ09, JZ0D, JZ10, JZ14, JZ1G, JZ29, JZ2C) (K9K 636)		Diesel	FWD	1461	81	110	04.09-09.16	*		
1.5 dCi (JZ09, JZ0D, JZ10, JZ14, JZ1G, JZ29, JZ2C) (K9K 836)		Diesel	FWD	1461	81	110	04.09-09.16	*		
1.5 dCi (JZ09, JZ0D, JZ10, JZ14, JZ1G, JZ29, JZ2C) (K9K 837)		Diesel	FWD	1461	81	110	04.09-09.16	*		

LISTA DE APLICACIONES - BUYERS GUIDE

1.6 dCi (JZ00, JZ12) (R9M 402)	Diesel	FWD	1598	96	130	04.11-09.16	*
1.6 dCi (JZ00, JZ12) (R9M 404)	Diesel	FWD	1598	96	130	04.11-09.16	*
1.6 dCi (JZ00, JZ12) (R9M 414)	Diesel	FWD	1598	96	130	04.11-09.16	*
1.9 dCi (JZ0J, JZ0N, JZ1K, JZ1S) (F9Q 870)	Diesel	FWD	1870	96	131	02.09-09.16	*
1.9 dCi (JZ0J, JZ0N, JZ1K, JZ1S) (F9Q 872)	Diesel	FWD	1870	96	131	02.09-09.16	*
2.0 dCi (JZ0Y, JZ26) (M9R 615)	Diesel	FWD	1995	110	150	02.09-09.16	*
2.0 dCi (JZ0L) (M9R 610)	Diesel	FWD	1995	118	160	04.09-09.16	*
[CAMBIADO]:Fastback (Large family car-D Segment)							
LAGUNA III (BT0/1) 10.07-							
2.0 16V (BT05, BT0F, BT0W) (M4R 704)	Gasolina	FWD	1998	103	140	10.07-12.12	*
2.0 16V Turbo (F4R 811)	Gasolina	FWD	1998	125	170	10.07-12.15	*
2.0 GT (F4R 800)	Gasolina	FWD	1998	150	204	03.08-12.15	*
3.5 V6 (BT0C, BT0P) (V4Y 713)	Gasolina	FWD	3498	175	238	04.08-12.15	*
2.0 16V Hi-Flex (BT1H, BT1G, BT1K) (M4R 726)	Gasol./Etanol	FWD	1997	103	140	10.07-12.15	*
2.0 dCi (BT07, BT0J, BT14, BT1A, BT1S) (M9R 742)	Diesel	FWD	1995	96	131	10.07-12.15	*
2.0 dCi (BT07, BT0J, BT14, BT1A, BT1S) (M9R 744)	Diesel	FWD	1995	96	131	10.07-12.15	*
2.0 dCi (BT07, BT0J, BT14, BT1A, BT1S) (M9R 802)	Diesel	FWD	1995	96	131	10.07-12.15	*
2.0 dCi (BT07, BT0J, BT14, BT1A, BT1S) (M9R 814)	Diesel	FWD	1995	96	131	10.07-12.15	*
2.0 dCi (BT07, BT0J, BT14, BT1A, BT1S) (M9R 854)	Diesel	FWD	1995	96	131	10.07-12.15	*
2.0 dCi (BT07, BT0J, BT14, BT1A, BT1S) (M9R 858)	Diesel	FWD	1995	96	131	10.07-12.15	*
2.0 dCi (BT01, BT08, BT09, BT0E, BT0K, BT12, BT1C, BT1D,...) (M9R 742)	Diesel	FWD	1995	110	150	10.07-12.15	*
2.0 dCi (BT01, BT08, BT09, BT0E, BT0K, BT12, BT1C, BT1D,...) (M9R 744)	Diesel	FWD	1995	110	150	10.07-12.15	*
2.0 dCi (BT01, BT08, BT09, BT0E, BT0K, BT12, BT1C, BT1D,...) (M9R 746)	Diesel	FWD	1995	110	150	10.07-12.15	*
2.0 dCi (BT01, BT08, BT09, BT0E, BT0K, BT12, BT1C, BT1D,...) (M9R 748)	Diesel	FWD	1995	110	150	10.07-12.15	*
2.0 dCi (BT01, BT08, BT09, BT0E, BT0K, BT12, BT1C, BT1D,...) (M9R 754)	Diesel	FWD	1995	110	150	10.07-12.15	*
2.0 dCi (BT01, BT08, BT09, BT0E, BT0K, BT12, BT1C, BT1D,...) (M9R 802)	Diesel	FWD	1995	110	150	10.07-12.15	*
2.0 dCi (BT01, BT08, BT09, BT0E, BT0K, BT12, BT1C, BT1D,...) (M9R 805)	Diesel	FWD	1995	110	150	10.07-12.15	*
2.0 dCi (BT01, BT08, BT09, BT0E, BT0K, BT12, BT1C, BT1D,...) (M9R 808)	Diesel	FWD	1995	110	150	10.07-12.15	*
2.0 dCi (BT01, BT08, BT09, BT0E, BT0K, BT12, BT1C, BT1D,...) (M9R 814)	Diesel	FWD	1995	110	150	10.07-12.15	*
2.0 dCi (BT01, BT08, BT09, BT0E, BT0K, BT12, BT1C, BT1D,...) (M9R 845)	Diesel	FWD	1995	110	150	10.07-12.15	*
2.0 dCi (BT01, BT08, BT09, BT0E, BT0K, BT12, BT1C, BT1D,...) (M9R 854)	Diesel	FWD	1995	110	150	10.07-12.15	*
2.0 dCi (BT01, BT08, BT09, BT0E, BT0K, BT12, BT1C, BT1D,...) (M9R 858)	Diesel	FWD	1995	110	150	10.07-12.15	*
2.0 dCi (BT0M, BT0N, BT0S, BT19, BT1F) (M9R 800)	Diesel	FWD	1995	127	173	01.08-12.15	*
2.0 dCi (BT0M, BT0N, BT0S, BT19, BT1F) (M9R 806)	Diesel	FWD	1995	127	173	01.08-12.15	*
2.0 dCi (BT0M, BT0N, BT0S, BT19, BT1F) (M9R 809)	Diesel	FWD	1995	127	173	01.08-12.15	*
2.0 dCi (BT0M, BT0N, BT0S, BT19, BT1F) (M9R 815)	Diesel	FWD	1995	127	173	01.08-12.15	*
2.0 dCi (BT0M, BT0N, BT0S, BT19, BT1F) (M9R 854)	Diesel	FWD	1995	127	173	01.08-12.15	*
2.0 dCi (BT0M, BT0N, BT0S, BT19, BT1F) (M9R 857)	Diesel	FWD	1995	127	173	01.08-12.15	*
2.0 dCi (BT0M, BT0N, BT0S, BT19, BT1F) (M9R 858)	Diesel	FWD	1995	127	173	01.08-12.15	*
2.0 dCi GT (BT11, BT1E, BT1N) (M9R 816)	Diesel	FWD	1995	131	178	03.08-12.15	*

LISTA DE APLICACIONES - BUYERS GUIDE

2.0 dCi GT (BT11, BT1E, BT1N) (M9R 820)		Diesel	FWD	1995	131	178	03.08-12.15	*	
2.0 dCi GT (BT11, BT1E, BT1N) (M9R 828)		Diesel	FWD	1995	131	178	03.08-12.15	*	
3.0 dCi (BT03, BT13) (V9X 791)		Diesel	FWD	2998	173	235	09.08-12.15	*	
3.0 dCi (BT03, BT13) (V9X 891)		Diesel	FWD	2998	173	235	09.08-12.15	*	
LAGUNA III (DT0/1) 09.08-							Coupé (Large family car-D Segment)		
2.0 16V Turbo (F4R 811)		Gasolina	FWD	1998	125	170	09.08-12.15	*	
2.0 16V Turbo (F4RT 811)		Gasolina	FWD	1998	125	170	09.08-12.15	*	
2.0 GT (F4R 800)		Gasolina	FWD	1998	150	204	09.08-12.15	*	
3.5 V6 (DT0P) (V4Y 713)		Gasolina	FWD	3498	175	238	09.08-12.15	*	
2.0 dCi (DT01, DT08, DT09, DT0K, DT12, DT1C, DT1D, DT1M,...) (M9R 744)		Diesel	FWD	1995	110	150	09.08-12.15	*	
2.0 dCi (DT01, DT08, DT09, DT0K, DT12, DT1C, DT1D, DT1M,...) (M9R 748)		Diesel	FWD	1995	110	150	09.08-12.15	*	
2.0 dCi (DT01, DT08, DT09, DT0K, DT12, DT1C, DT1D, DT1M,...) (M9R 754)		Diesel	FWD	1995	110	150	09.08-12.15	*	
2.0 dCi (DT01, DT08, DT09, DT0K, DT12, DT1C, DT1D, DT1M,...) (M9R 802)		Diesel	FWD	1995	110	150	09.08-12.15	*	
2.0 dCi (DT01, DT08, DT09, DT0K, DT12, DT1C, DT1D, DT1M,...) (M9R 805)		Diesel	FWD	1995	110	150	09.08-12.15	*	
2.0 dCi (DT01, DT08, DT09, DT0K, DT12, DT1C, DT1D, DT1M,...) (M9R 808)		Diesel	FWD	1995	110	150	09.08-12.15	*	
2.0 dCi (DT01, DT08, DT09, DT0K, DT12, DT1C, DT1D, DT1M,...) (M9R 814)		Diesel	FWD	1995	110	150	09.08-12.15	*	
2.0 dCi (DT01, DT08, DT09, DT0K, DT12, DT1C, DT1D, DT1M,...) (M9R 845)		Diesel	FWD	1995	110	150	09.08-12.15	*	
2.0 dCi (DT01, DT08, DT09, DT0K, DT12, DT1C, DT1D, DT1M,...) (M9R 854)		Diesel	FWD	1995	110	150	09.08-12.15	*	
2.0 dCi (DT01, DT08, DT09, DT0K, DT12, DT1C, DT1D, DT1M,...) (M9R 858)		Diesel	FWD	1995	110	150	09.08-12.15	*	
2.0 dCi (DT0M, DT0N, DT0S, DT19, DT1F) (M9R 800)		Diesel	FWD	1995	127	173	09.08-12.15	*	
2.0 dCi (DT0M, DT0N, DT0S, DT19, DT1F) (M9R 806)		Diesel	FWD	1995	127	173	09.08-12.15	*	
2.0 dCi (DT0M, DT0N, DT0S, DT19, DT1F) (M9R 809)		Diesel	FWD	1995	127	173	09.08-12.15	*	
2.0 dCi (DT0M, DT0N, DT0S, DT19, DT1F) (M9R 815)		Diesel	FWD	1995	127	173	09.08-12.15	*	
2.0 dCi (DT0M, DT0N, DT0S, DT19, DT1F) (M9R 849)		Diesel	FWD	1995	127	173	09.08-12.15	*	
2.0 dCi (DT0M, DT0N, DT0S, DT19, DT1F) (M9R 854)		Diesel	FWD	1995	127	173	09.08-12.15	*	
2.0 dCi (DT0M, DT0N, DT0S, DT19, DT1F) (M9R 857)		Diesel	FWD	1995	127	173	09.08-12.15	*	
2.0 dCi GT (DT11, DT1E, DT1N) (M9R 816)		Diesel	FWD	1995	131	178	09.08-12.15	*	
2.0 dCi GT (DT11, DT1E, DT1N) (M9R 820)		Diesel	FWD	1995	131	178	09.08-12.15	*	
2.0 dCi GT (DT11, DT1E, DT1N) (M9R 828)		Diesel	FWD	1995	131	178	09.08-12.15	*	
3.0 dCi (DT03) (V9X 791)		Diesel	FWD	2998	173	235	09.08-12.15	*	
3.0 dCi (DT03) (V9X 891)		Diesel	FWD	2998	173	235	09.08-12.15	*	
3.0 dCi (V9X 891)		Diesel	FWD	2998	177	241	01.12-12.15	*	
LAGUNA III Grandtour (KT0/1) 10.07-							[CAMBIADO]:Break (Large family car-D Segment)		
2.0 16V (KT0F, KT0W) (M4R 704)		Gasolina	FWD	1998	103	140	10.07-12.15	*	
2.0 16V Turbo (F4R 811)		Gasolina	FWD	1998	125	170	10.07-12.15	*	
2.0 GT (F4R 800)		Gasolina	FWD	1998	150	204	03.08-12.15	*	
3.5 V6 (KT0C, KT0P) (V4Y 713)		Gasolina	FWD	3498	175	238	04.08-12.15	*	
2.0 16V Hi-Flex (KT1H, KT1G, KT1K) (M4R 704)		Gasol./Etanol	FWD	1997	103	140	10.07-12.15	*	
2.0 16V Hi-Flex (KT1H, KT1G, KT1K) (M4R 726)		Gasol./Etanol	FWD	1997	103	140	10.07-12.15	*	
2.0 dCi (KT07, KT0J, KT14, KT1A, KT1S) (M9R 742)		Diesel	FWD	1995	96	131	10.07-12.15	*	
2.0 dCi (KT07, KT0J, KT14, KT1A, KT1S) (M9R 744)		Diesel	FWD	1995	96	131	10.07-12.15	*	

LISTA DE APLICACIONES - BUYERS GUIDE

2.0 dCi (KT07, KT0J, KT14, KT1A, KT1S) (M9R 802)	Diesel	FWD	1995	96	131	10.07-12.15	*
2.0 dCi (KT07, KT0J, KT14, KT1A, KT1S) (M9R 814)	Diesel	FWD	1995	96	131	10.07-12.15	*
2.0 dCi (KT07, KT0J, KT14, KT1A, KT1S) (M9R 854)	Diesel	FWD	1995	96	131	10.07-12.15	*
2.0 dCi (KT07, KT0J, KT14, KT1A, KT1S) (M9R 858)	Diesel	FWD	1995	96	131	10.07-12.15	*
2.0 dCi (KT01, KT08, KT09, KT0K, KT12, KT1D, KT1W) (M9R 742)	Diesel	FWD	1995	110	150	10.07-12.15	*
2.0 dCi (KT01, KT08, KT09, KT0K, KT12, KT1D, KT1W) (M9R 744)	Diesel	FWD	1995	110	150	10.07-12.15	*
2.0 dCi (KT01, KT08, KT09, KT0K, KT12, KT1D, KT1W) (M9R 802)	Diesel	FWD	1995	110	150	10.07-12.15	*
2.0 dCi (KT01, KT08, KT09, KT0K, KT12, KT1D, KT1W) (M9R 805)	Diesel	FWD	1995	110	150	10.07-12.15	*
2.0 dCi (KT01, KT08, KT09, KT0K, KT12, KT1D, KT1W) (M9R 808)	Diesel	FWD	1995	110	150	10.07-12.15	*
2.0 dCi (KT01, KT08, KT09, KT0K, KT12, KT1D, KT1W) (M9R 814)	Diesel	FWD	1995	110	150	10.07-12.15	*
2.0 dCi (KT01, KT08, KT09, KT0K, KT12, KT1D, KT1W) (M9R 845)	Diesel	FWD	1995	110	150	10.07-12.15	*
2.0 dCi (KT01, KT08, KT09, KT0K, KT12, KT1D, KT1W) (M9R 854)	Diesel	FWD	1995	110	150	10.07-12.15	*
2.0 dCi (KT01, KT08, KT09, KT0K, KT12, KT1D, KT1W) (M9R 858)	Diesel	FWD	1995	110	150	10.07-12.15	*
2.0 dCi (KT0M, KT0N, KT0S, KT19, KT1F) (M9R 800)	Diesel	FWD	1995	127	173	01.08-12.15	*
2.0 dCi (KT0M, KT0N, KT0S, KT19, KT1F) (M9R 806)	Diesel	FWD	1995	127	173	01.08-12.15	*
2.0 dCi (KT0M, KT0N, KT0S, KT19, KT1F) (M9R 809)	Diesel	FWD	1995	127	173	01.08-12.15	*
2.0 dCi (KT0M, KT0N, KT0S, KT19, KT1F) (M9R 815)	Diesel	FWD	1995	127	173	01.08-12.15	*
2.0 dCi (KT0M, KT0N, KT0S, KT19, KT1F) (M9R 849)	Diesel	FWD	1995	127	173	01.08-12.15	*
2.0 dCi (KT0M, KT0N, KT0S, KT19, KT1F) (M9R 854)	Diesel	FWD	1995	127	173	01.08-12.15	*
2.0 dCi (KT0M, KT0N, KT0S, KT19, KT1F) (M9R 857)	Diesel	FWD	1995	127	173	01.08-12.15	*
2.0 dCi (KT0M, KT0N, KT0S, KT19, KT1F) (M9R 858)	Diesel	FWD	1995	127	173	01.08-12.15	*
2.0 dCi GT (KT11, KT1E, KT1N) (M9R 816)	Diesel	FWD	1995	131	178	03.08-12.15	*
2.0 dCi GT (KT11, KT1E, KT1N) (M9R 820)	Diesel	FWD	1995	131	178	03.08-12.15	*
2.0 dCi GT (KT11, KT1E, KT1N) (M9R 828)	Diesel	FWD	1995	131	178	03.08-12.15	*
3.0 dCi (KT03, KT13) (V9X 791)	Diesel	FWD	2998	173	235	09.08-12.15	*
3.0 dCi (KT03, KT13) (V9X 891)	Diesel	FWD	2998	173	235	09.08-12.15	*
LATITUDE (L70_) 07.10-				Sedán (Large family car-D Segment)			
1.6 RS (L705)	Gasolina	FWD	1618	132	180	04.14-	*
2.0 dCi 150 (L70H) (M9R 824)	Diesel	FWD	1995	110	150	02.11-	*
2.0 dCi 150 (L70H) (M9R 846)	Diesel	FWD	1995	110	150	02.11-	*
2.0 dCi 175 (L70Y, L734) (M9R 804)	Diesel	FWD	1995	127	173	05.11-	*
2.0 dCi 175 (L70Y, L734) (M9R 817)	Diesel	FWD	1995	127	173	05.11-	*
2.0 dCi 175 (L70Y, L734) (M9R 844)	Diesel	FWD	1995	127	173	05.11-	*
2.0 dCi	Diesel	FWD	1995	130	177	02.11-	*
2.5 dCi	Diesel	RWD	2496	133	181	05.11-	*
3.0 dCi 240 (L70G) (V9X 891)	Diesel	FWD	2998	177	241	02.11-	*
SAFRANE III (A3_, L7_) 01.09-				Sedán (Executive car-E Segment)			
2.3	Gasolina	FWD	2349	176	239	02.09-	*
3.5	Gasolina	FWD	3498	176	239	01.11-	*
SCÉNIC III (JZ0/1_) 12.08-				MPV (Compact MPV-M1 Segment)			
1.2 TCe (H5F 400)	Gasolina	FWD	1197	85	116	04.12-09.16	*

LISTA DE APLICACIONES - BUYERS GUIDE

1.2 TCe (H5F 408)		Gasolina	FWD	1197	96	131	07.14-09.16	*
1.2 TCe (JZ16) (H5F 404)		Gasolina	FWD	1197	97	132	01.13-09.16	*
1.2 TCe (JZ16) (H5F 408)		Gasolina	FWD	1197	97	132	01.13-09.16	*
1.4 16V (JZ0F, JZ1V) (H4J 700)		Gasolina	FWD	1397	96	131	02.09-09.16	*
1.6 16V (JZ0U, JZ1B) (K4M 858)		Gasolina	FWD	1598	81	110	02.09-09.16	*
1.6 16V (JZ0U, JZ1B) (K4M R 858)		Gasolina	FWD	1598	81	110	02.09-09.16	*
2.0 16V (M4R 711)		Gasolina	FWD	1997	101	137	12.08-09.16	*
2.0 16V (JZ0G, JZ0P, JZ1E, JZ1P) (M4R 710)		Gasolina	FWD	1997	103	140	02.09-09.16	*
2.0 16V (JZ0G, JZ0P, JZ1E, JZ1P) (M4R 711)		Gasolina	FWD	1997	103	140	02.09-09.16	*
2.0 16V (JZ0G, JZ0P, JZ1E, JZ1P) (M4R 713)		Gasolina	FWD	1997	103	140	02.09-09.16	*
1.6 16V Bifuel (K4M 866)		Gasol./G as (LPG)	FWD	1598	79	107	04.12-12.13	*
1.6 16V Bifuel (K4M 866)		Gasol./G as (LPG)	FWD	1598	81	110	02.09-09.16	*
1.6 E85 (JZ03, JZ1Y) (K4M 866)		Gasol./Et anol	FWD	1598	81	110	02.09-09.16	*
1.5 dCi (K9K 830)		Diesel	FWD	1461	63	86	04.09-09.16	*
1.5 dCi (JZ02, JZ0R) (K9K 846)		Diesel	FWD	1461	70	95	11.10-09.16	*
1.5 dCi (K9K 832)		Diesel	FWD	1461	78	106	02.09-09.16	*
1.5 dCi (K9K 636)		Diesel	FWD	1461	81	110	04.09-09.16	*
1.5 dCi (K9K 656)		Diesel	FWD	1461	81	110	04.09-09.16	*
1.5 dCi (K9K 657)		Diesel	FWD	1461	81	110	04.09-09.16	*
1.5 dCi (K9K 836)		Diesel	FWD	1461	81	110	04.09-09.16	*
1.5 dCi (K9K 837)		Diesel	FWD	1461	81	110	04.09-09.16	*
1.6 dCi (JZ00, JZ12) (R9M 402)		Diesel	FWD	1598	96	130	04.11-09.16	*
1.6 dCi (JZ00, JZ12) (R9M 404)		Diesel	FWD	1598	96	130	04.11-09.16	*
1.6 dCi (JZ00, JZ12) (R9M 414)		Diesel	FWD	1598	96	130	04.11-09.16	*
1.9 dCi (JZ0J, JZ1J, JZ1K, JZ1S) (F9Q 870)		Diesel	FWD	1870	96	131	02.09-09.16	*
1.9 dCi (JZ0J, JZ1J, JZ1K, JZ1S) (F9Q 872)		Diesel	FWD	1870	96	131	02.09-09.16	*
2.0 dCi (JZ0Y, JZ26) (M9R 615)		Diesel	FWD	1995	110	150	02.09-09.16	*
2.0 dCi (JZ0L) (M9R 610)		Diesel	FWD	1995	118	160	04.09-09.16	*
SCÉNIC III VAN (JZ0/1_) 12.08-							Furgoneta/MPV (Compact MPV-M1 Segment)	
1.6 VVT (JZ0U, JZ1B, JZ1H, JZ1U, JZ24)		Gasolina	FWD	1598	81	110	01.13-09.16	*
1.5 dCi (JZ02)		Diesel	FWD	1461	70	95	01.13-09.16	*
1.5 dCi (JZ0D, JZ1M, JZ09, JZ14, JZ1G, JZ1W, JZ10)		Diesel	FWD	1461	81	110	04.09-09.16	*
1.6 dCi (JZ00, JZ12, JZ2A)		Diesel	FWD	1598	96	131	01.13-09.16	*
1.9 dCi (JZ0J, JZ1J, JZ1K, JZ1S)		Diesel	FWD	1870	96	131	01.13-09.16	*
TALISMAN (L47) 04.12-							Sedán ()	
2.5		Gasolina	FWD	2495	140	190	04.12-	*
3.5		Gasolina	FWD	3498	190	258	04.12-	*
TALISMAN / Samsung SM6 (LP_) 06.15-							Sedán (Large family car-D Segment)	
1.3 TCe 160 (LPNC) (H5H 470)		Gasolina	FWD	1332	117	160	01.19-03.22	*
1.6 TCe 150 (M5M 450)		Gasolina	FWD	1618	110	150	11.15-03.22	*
1.6 TCe 190 (M5M 450)		Gasolina	FWD	1618	140	190	11.15-03.22	*
1.6 TCe 200 (M5M 450)		Gasolina	FWD	1618	147	200	11.15-03.22	*
1.8 TCe 225 (LPM1) (M5P 403)		Gasolina	FWD	1798	165	224	09.18-03.22	*
2.0 (M4R 735)		Gasolina	FWD	1997	103	140	11.15-03.22	*
2.0 (M4R 739)		Gasolina	FWD	1997	103	140	11.15-03.22	*
1.5 dCi 110 (LPA3) (K9K 646)		Diesel	FWD	1461	81	110	11.15-03.22	*
1.5 dCi 110 (LPA3) (K9K 647)		Diesel	FWD	1461	81	110	11.15-03.22	*
1.6 dCi 130 (R9M 409)		Diesel	FWD	1598	96	130	11.15-03.22	*

LISTA DE APLICACIONES - BUYERS GUIDE

1.6 dCi 160 (R9M 452)		Diesel	FWD	1598	118	160	06.15-03.22	*	
1.6 dCi 160 (R9M 453)		Diesel	FWD	1598	118	160	06.15-03.22	*	
2.0 Blue dCi 160 (LPAM) (M9R 650)		Diesel	FWD	1997	118	160	01.19-03.22	*	
2.0 Blue dCi 200 (LPAL) (M9R 650)		Diesel	FWD	1997	147	200	01.19-03.22	*	
TALISMAN Grandtour / Samsung SM6 (KP_) 03.16-							[CAMBIADO]:Break (Large family car-D Segment)		
1.3 TCe 160 (KPNC) (H5H 470)		Gasolina	FWD	1332	117	160	01.19-03.22	*	
1.6 TCe 150 (M5M 450)		Gasolina	FWD	1618	110	150	03.16-03.22	*	
1.6 TCe 200 (M5M 450)		Gasolina	FWD	1618	147	200	03.16-03.22	*	
1.8 TCe 225 (KPM1) (M5P 403)		Gasolina	FWD	1798	165	224	09.18-03.22	*	
1.5 dCi 110 (K9K 646)		Diesel	FWD	1461	81	110	03.16-03.22	*	
1.5 dCi 110 (K9K 647)		Diesel	FWD	1461	81	110	03.16-03.22	*	
1.5 dCi 110 (K9K 648)		Diesel	FWD	1461	81	110	03.16-03.22	*	
1.5 dCi 110 (K9K 649)		Diesel	FWD	1461	81	110	03.16-03.22	*	
1.6 dCi 130 (R9M 409)		Diesel	FWD	1598	96	130	03.16-03.22	*	
1.6 dCi 160 (R9M 452)		Diesel	FWD	1598	118	160	03.16-03.22	*	
1.6 dCi 160 (R9M 453)		Diesel	FWD	1598	118	160	03.16-03.22	*	
2.0 Blue dCi 160 (KPAM) (M9R 650)		Diesel	FWD	1997	118	160	01.19-03.22	*	
2.0 Blue dCi 200 (KPAL) (M9R 650)		Diesel	FWD	1997	147	200	01.19-03.22	*	
RENAULT SAMSUNG									
QM5 12.06-							Closed SUV (Compact SUV-J Segment)		
2.0 dCi		Diesel	RWD	1995	127	173	09.07-	*	
SAMSUNG									
QM5 12.06-							SUV (Compact SUV-J Segment)		
2.5		Gasolina	FWD	2488	126	171	12.06-	*	
2.5		Gasolina	FWD	2488	126	171	12.06-	*	
2.0 dCi		Diesel	FWD	1995	110	150	12.06-	*	
2.0 dCi		Diesel	RWD	1995	110	150	12.06-	*	
2.0 dCi (M9R 760)		Diesel	FWD	1995	127	173	12.06-	*	
2.0 dCi		Diesel	RWD	1995	127	173	12.06-	*	