

# LISTA DE APLICACIONES - BUYERS GUIDE

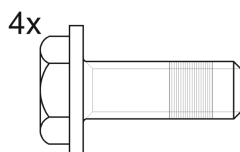
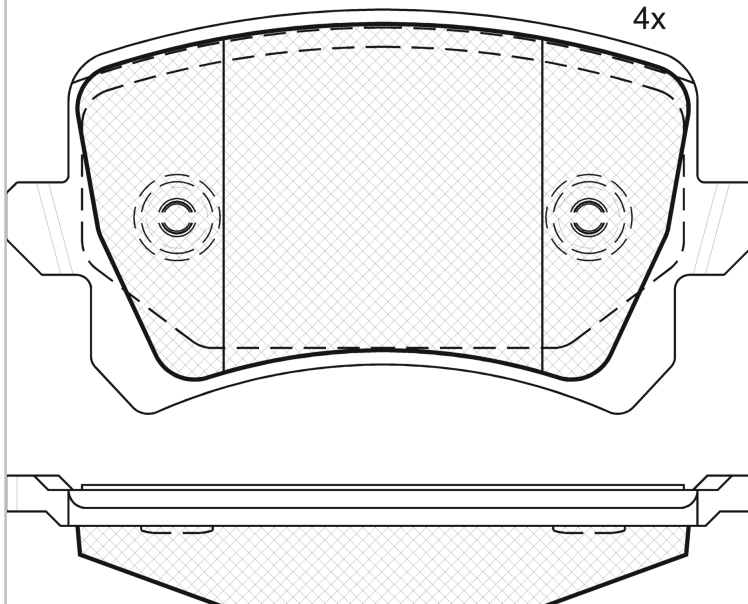
## RB1857



Qty: 300

Weight: 1.105

O.E.M.	MAKE
1K0 698 451 L	VW
3AA 698 451	VW
3AA 698 451 A	VW
3AA698451B	SEAT
3C0 698 451	VW
3C0 698 451 A	VW
3C0 698 451 C	VW
3C0 698 451 E	VW
3C0 698 451 F	VW
5N0 698 451	VW
5ND 698 451	VW (SVW)
86 60 000 765	RENAULT
86 60 004 432	RENAULT
JZW 698 451 E	VW
JZW 698 451 G	VW



1-Ref. 690064

## RB1857

**E 9** 90R-01111/2207



Trw

105.3x56.47x17

VVA	FMSI
22192	D1348-8213
22268	
24483	

Sin Filas



Trac.	CC	Kw	CV
-------	----	----	----



Front / Rear

### AUDI

					[CAMBIADO]:Break (Executive car-E Segment)				
<b>A6 III C6 Avant (4F5) 11.04-08.11</b>									
2.0 TFSI (BPJ)		Gasolina	FWD	1984	125	170	06.05-08.11	*	
2.8 FSI (CCDA)		Gasolina	FWD	2773	140	190	10.08-08.11	*	
2.8 FSI quattro (CCDA)		Gasolina	4WD	2773	140	190	10.08-08.11	*	
2.8 FSI (CCEA)		Gasolina	FWD	2773	162	220	10.08-08.11	*	
2.8 FSI quattro (CCEA)		Gasolina	4WD	2773	162	220	10.08-08.11	*	
3.0 TFSI quattro (CAJA)		Gasolina	4WD	2995	213	290	10.08-08.11	*	
3.0 TFSI quattro (CCAA)		Gasolina	4WD	2995	220	299	10.08-08.11	*	
4.2 FSI quattro (BVJ)		Gasolina	4WD	4163	257	350	06.06-08.11	*	
2.0 TDI (BNA)		Diesel	FWD	1968	100	136	06.05-08.11	*	
2.0 TDI (BRF)		Diesel	FWD	1968	100	136	06.05-08.11	*	
2.0 TDI (CAGB)		Diesel	FWD	1968	100	136	06.05-08.11	*	
2.0 TDI (CAHB)		Diesel	FWD	1968	120	163	04.09-08.11	*	
2.0 TDI (CAHA)		Diesel	FWD	1968	125	170	10.08-08.11	*	
2.7 TDI (BSG)		Diesel	FWD	2698	120	163	03.05-08.11	*	
2.7 TDI (CANB)		Diesel	FWD	2698	120	163	03.05-08.11	*	
2.7 TDI quattro (BSG)		Diesel	4WD	2698	120	163	06.05-08.11	*	
2.7 TDI quattro (CAND)		Diesel	4WD	2698	120	163	06.05-08.11	*	
2.7 TDI (CANA)		Diesel	FWD	2698	140	190	10.08-08.11	*	
2.7 TDI quattro (CANC)		Diesel	4WD	2698	140	190	10.08-08.11	*	
3.0 TDI quattro (BNG)		Diesel	4WD	2967	155	211	03.05-08.11	*	
3.0 TDI quattro (CDYB)		Diesel	4WD	2967	155	211	03.05-08.11	*	
3.0 TDI quattro (CDYA)		Diesel	4WD	2967	176	240	10.08-08.11	*	
3.0 TDI quattro (CDYC)		Diesel	4WD	2967	176	240	10.08-08.11	*	

# LISTA DE APLICACIONES - BUYERS GUIDE

<b>A6 III C6 (4F2) 04.04-08.11</b>					<b>Sedán (Executive car-E Segment)</b>			
2.0 TFSI (BPJ)	Gasolina	FWD	1984	125	170	06.05-03.11	*	
2.0 TFSI (BYK)	Gasolina	FWD	1984	125	170	06.05-03.11	*	
2.8 FSI (CCDA)	Gasolina	FWD	2773	140	190	10.08-03.11	*	
2.8 FSI quattro (CCDA)	Gasolina	4WD	2773	140	190	10.08-03.11	*	
2.8 FSI (CCEA)	Gasolina	FWD	2773	162	220	10.08-03.11	*	
2.8 FSI quattro (CCEA)	Gasolina	4WD	2773	162	220	10.08-03.11	*	
3.0 TFSI quattro (CAJA)	Gasolina	4WD	2995	213	290	10.08-03.11	*	
3.0 TFSI quattro (CCAA)	Gasolina	4WD	2995	220	299	10.08-03.11	*	
3.2 FSI (CALA)	Gasolina	FWD	3197	195	265	05.09-03.11	*	
4.2 FSI quattro (BVJ)	Gasolina	4WD	4163	257	350	06.06-03.11	*	
2.0 TDI (BNA)	Diesel	FWD	1968	100	136	07.04-03.11	*	
2.0 TDI (BRF)	Diesel	FWD	1968	100	136	07.04-03.11	*	
2.0 TDI (CAGB)	Diesel	FWD	1968	100	136	07.04-03.11	*	
2.0 TDI (CAHB)	Diesel	FWD	1968	120	163	04.09-03.11	*	
2.0 TDI (CAHA)	Diesel	FWD	1968	125	170	11.08-03.11	*	
2.7 TDI (BSG)	Diesel	FWD	2698	120	163	11.04-03.11	*	
2.7 TDI (CANB)	Diesel	FWD	2698	120	163	11.04-03.11	*	
2.7 TDI quattro (BSG)	Diesel	4WD	2698	120	163	06.05-03.11	*	
2.7 TDI quattro (CAND)	Diesel	4WD	2698	120	163	06.05-03.11	*	
2.7 TDI (CANA)	Diesel	FWD	2698	140	190	10.08-03.11	*	
2.7 TDI quattro (CANC)	Diesel	4WD	2698	140	190	10.08-03.11	*	
3.0 TDI quattro (BNG)	Diesel	4WD	2967	155	211	05.04-03.11	*	
3.0 TDI quattro (CDYB)	Diesel	4WD	2967	155	211	05.04-03.11	*	
3.0 TDI quattro (CDYA)	Diesel	4WD	2967	176	240	10.08-03.11	*	
3.0 TDI quattro (CDYC)	Diesel	4WD	2967	176	240	10.08-03.11	*	
<b>A6 IV Allroad C7 (4GH, 4GJ) 01.12-</b>					<b>[CAMBIADO]:Break (Executive car-E Segment)</b>			
3.0 TFSI quattro (CGWD)	Gasolina	4WD	2995	228	310	01.12-12.14	*	
3.0 TDI quattro (CLAA)	Diesel	4WD	2967	150	204	01.12-12.14	*	
3.0 TDI quattro (CDUD)	Diesel	4WD	2967	180	245	01.12-06.16	*	
3.0 TDI quattro (CKVC)	Diesel	4WD	2967	180	245	01.12-06.16	*	
3.0 TDI quattro (CGQB)	Diesel	4WD	2967	230	313	01.12-12.14	*	
<b>A6 IV C7 (4G2, 4GC) 11.10-</b>					<b>Sedán (Executive car-E Segment)</b>			
3.0	Gasolina	FWD	2995	213	290	11.11-	*	
3.0	Gasolina	FWD	2995	213	290	11.11-	*	
3.0 TFSI quattro (CCAA)	Gasolina	4WD	2995	220	300	11.10-05.12	*	
3.0 TFSI quattro (CGWB)	Gasolina	4WD	2995	220	300	11.10-05.12	*	
3.0 TFSI quattro (CGWD)	Gasolina	4WD	2995	228	310	03.11-09.18	*	
3.0 TFSI quattro (CGXB)	Gasolina	4WD	2995	228	310	03.11-09.18	*	
3.0 TFSI quattro (CTUA)	Gasolina	4WD	2995	228	310	03.11-09.18	*	
S6 quattro (CEUC)	Gasolina	4WD	3993	309	420	02.12-09.18	*	
3.0 TDI (CLAB)	Diesel	FWD	2967	150	204	11.10-09.18	*	
3.0 TDI quattro (CLAA)	Diesel	4WD	2967	150	204	03.11-09.18	*	
3.0 TDI quattro (CDUC)	Diesel	4WD	2967	180	245	03.11-09.18	*	
3.0 TDI quattro (CDUD)	Diesel	4WD	2967	180	245	03.11-09.18	*	
3.0 TDI quattro (CKVB)	Diesel	4WD	2967	180	245	03.11-09.18	*	
3.0 TDI quattro (CKVC)	Diesel	4WD	2967	180	245	03.11-09.18	*	
3.0 TDI quattro (CGQB)	Diesel	4WD	2967	230	313	11.11-09.18	*	

# LISTA DE APLICACIONES - BUYERS GUIDE

<b>A6 IV C7 Avant (4G5, 4GD) 05.11-</b>					<b>[CAMBIADO]:Break (Executive car-E Segment)</b>			
3.0 TFSI quattro (CGWB)	Gasolina	4WD	2995	220	300	05.11-05.12	*	
3.0 TFSI quattro (CGWD)	Gasolina	4WD	2995	228	310	11.11-09.18	*	
3.0 TDI (CLAB)	Diesel	FWD	2967	150	204	05.11-09.18	*	
3.0 TDI quattro (CLAA)	Diesel	4WD	2967	150	204	05.11-09.18	*	
3.0 TDI quattro (CDUC)	Diesel	4WD	2967	180	245	05.11-09.18	*	
3.0 TDI quattro (CDUD)	Diesel	4WD	2967	180	245	05.11-09.18	*	
3.0 TDI quattro (CKVB)	Diesel	4WD	2967	180	245	05.11-09.18	*	
3.0 TDI quattro (CKVC)	Diesel	4WD	2967	180	245	05.11-09.18	*	
3.0 TDI quattro (CGQB)	Diesel	4WD	2967	230	313	11.11-09.18	*	
<b>Q3 (8UB, 8UG) 06.11-</b>					<b>SUV (Compact Crossover CUV-C Segment)</b>			
1.4 TFSI (CZDB)	Gasolina	FWD	1395	92	125	07.16-10.18	*	
1.4 TSI (CHPB)	Gasolina	FWD	1395	110	150	10.13-10.18	*	
1.4 TSI (CZDA)	Gasolina	FWD	1395	110	150	10.13-10.18	*	
1.4 TSI (CZEA)	Gasolina	FWD	1395	110	150	10.13-10.18	*	
2.0 TFSI quattro (CCZC)	Gasolina	4WD	1984	125	170	06.11-04.15	*	
2.0 TFSI (CULB)	Gasolina	FWD	1984	132	180	05.15-10.18	*	
2.0 TFSI quattro (CULB)	Gasolina	4WD	1984	132	180	11.14-10.18	*	
2.0 TFSI quattro (CPSA)	Gasolina	4WD	1984	155	211	06.11-04.15	*	
2.0 TFSI quattro (CULC)	Gasolina	4WD	1984	162	220	11.14-10.18	*	
RS 2.5 quattro (CTSA)	Gasolina	4WD	2480	228	310	10.13-10.18	*	
RS 2.5 quattro (CZGA)	Gasolina	4WD	2480	250	340	05.13-10.18	*	
RS performance 2.5 quattro (CZGB)	Gasolina	4WD	2480	270	367	01.15-10.18	*	
3.2 TFSi	Gasolina	FWD	3195	125	170	11.14-	*	
3.2 TFSi	Gasolina	FWD	3195	155	211	11.14-	*	
1.4 TFSi Flex (CWLA)	Gasol./Etanol	FWD	1395	110	150	02.16-10.18	*	
1.4 TFSi Flex (CZDA)	Gasol./Etanol	FWD	1395	110	150	02.16-10.18	*	
2.0 TDI (CUVD)	Diesel	FWD	1968	88	120	03.15-10.18	*	
2.0 TDI (DFTC)	Diesel	FWD	1968	88	120	03.15-10.18	*	
2.0 TDI (CFFA)	Diesel	FWD	1968	100	136	09.11-10.18	*	
2.0 TDI (CUVB)	Diesel	FWD	1968	100	136	09.11-10.18	*	
2.0 TDI (DFTB)	Diesel	FWD	1968	100	136	09.11-10.18	*	
2.0 TDI (CFFB)	Diesel	FWD	1968	103	140	09.11-10.18	*	
2.0 TDI (CLJA)	Diesel	FWD	1968	103	140	09.11-10.18	*	
2.0 TDI quattro (CFFB)	Diesel	4WD	1968	103	140	01.12-10.18	*	
2.0 TDI (CUVC)	Diesel	FWD	1968	110	150	11.14-10.18	*	
2.0 TDI (DBBA)	Diesel	FWD	1968	110	150	11.14-10.18	*	
2.0 TDI (DFTA)	Diesel	FWD	1968	110	150	11.14-10.18	*	
2.0 TDI quattro (CUVC)	Diesel	4WD	1968	110	150	11.14-10.18	*	
2.0 TDI quattro (DFTA)	Diesel	4WD	1968	110	150	11.14-10.18	*	
2.0 TDI quattro (CFGD)	Diesel	4WD	1968	120	163	06.11-04.15	*	
2.0 TDI (CFGC)	Diesel	FWD	1968	130	177	06.11-04.15	*	
2.0 TDI quattro (CFGC)	Diesel	4WD	1968	130	177	06.11-10.18	*	
2.0 TDI quattro (CLLB)	Diesel	4WD	1968	130	177	06.11-10.18	*	
2.0 TDI (CUWA)	Diesel	FWD	1968	135	184	05.15-10.18	*	
2.0 TDI (DFUA)	Diesel	FWD	1968	135	184	05.15-10.18	*	
2.0 TDI quattro (CUWA)	Diesel	4WD	1968	135	184	11.14-10.18	*	
2.0 TDI quattro (CYLA)	Diesel	4WD	1968	135	184	11.14-10.18	*	
2.0 TDI quattro (DFUA)	Diesel	4WD	1968	135	184	11.14-10.18	*	

# LISTA DE APLICACIONES - BUYERS GUIDE

2.0 TDI		Diesel	RWD	1995	130	177	11.14-	*
3.2 TDi		Diesel	RWD	3195	103	140	11.14-	*
<b>AUDI (FAW)</b>								
<b>Q3 (84B, 84G) 04.13-</b>					<b>SUV (Compact Crossover CUV-C Segment)</b>			
35 TFSI		Gasolina	FWD	1984	125	170	04.13-12.16	*
35 TFSI quattro		Gasolina	4WD	1984	125	170	04.13-12.16	*
40 TFSI quattro		Gasolina	4WD	1984	147	200	04.13-12.16	*
<b>BORGWARD</b>								
<b>BX5 03.17-</b>					<b>SUV (Compact Crossover CUV-C Segment)</b>			
20TGDİ (BWE414A)		Gasolina	FWD	1395	110	150	08.17-12.21	*
25TGDİ (BWE418A)		Gasolina	FWD	1797	140	190	03.17-12.21	*
25TGDİ AWD (BWE418A)		Gasolina	4WD	1797	140	190	03.17-12.21	*
<b>BX6 05.18-</b>					<b>SUV (Compact Crossover CUV-C Segment)</b>			
25TGDİ AWD (BWE420B)		Gasolina	4WD	1981	165	224	05.18-	*
<b>BX7 04.16-</b>					<b>SUV (Luxury Crossover SUV-J Segment)</b>			
28TGDİ (BWE420B)		Gasolina	FWD	1981	165	224	04.16-12.21	*
28TGDİ AWD (BWE420B)		Gasolina	4WD	1981	165	224	04.16-12.21	*
<b>BXi7 05.18-</b>					<b>SUV (Luxury Crossover SUV-J Segment)</b>			
EV (TZ180XS)		Eléctrico			178	242	05.18-	*
<b>SEAT</b>								
<b>ALHAMBRA II (711) 06.10-</b>					<b>Furgoneta/MPV (Large MPV-M1 Segment)</b>			
TSi		Gasolina	FWD	1395	110	150	05.15-12.22	*
<b>ALHAMBRA II (710, 711) 06.10-</b>					<b>MPV (Large MPV-M1 Segment)</b>			
1.4 TSI (CAVA)		Gasolina	FWD	1390	110	150	06.10-04.15	*
1.4 TSI (CNWB)		Gasolina	FWD	1390	110	150	06.10-04.15	*
1.4 TSI (CTHA)		Gasolina	FWD	1390	110	150	06.10-04.15	*
1.4 TSI (CZDA)		Gasolina	FWD	1395	110	150	05.15-12.22	*
1.4 TSI (DJKA)		Gasolina	FWD	1395	110	150	05.15-12.22	*
1.8 TSI (CDAA)		Gasolina	FWD	1798	118	160	11.12-04.15	*
2.0 TSI (CCZA)		Gasolina	FWD	1984	147	200	11.10-05.12	*
2.0 TDI (CFFE)		Diesel	FWD	1968	85	115	05.11-12.22	*
2.0 TDI (CUVA)		Diesel	FWD	1968	85	115	05.11-12.22	*
2.0 TDI (DFLD)		Diesel	FWD	1968	85	115	05.11-12.22	*
2.0 TDI (DLTC)		Diesel	FWD	1968	85	115	05.11-12.22	*
2.0 TDI (CFFA)		Diesel	FWD	1968	100	136	06.10-05.11	*
2.0 TDI (CFFB)		Diesel	FWD	1968	103	140	06.10-04.15	*
2.0 TDI 4Drive (CFFB)		Diesel	4WD	1968	103	140	05.11-04.15	*
2.0 TDI (CFGB)		Diesel	FWD	1968	125	170	06.10-02.13	*
2.0 TDI (CFGC)		Diesel	FWD	1968	130	177	11.12-12.22	*
2.0 TDI (DLUB)		Diesel	FWD	1968	130	177	11.12-12.22	*
<b>SKODA</b>								
<b>OCTAVIA III (5E3, NL3, NR3) 11.12-</b>					<b>[CAMBIADO]:Fastback (Compact car-C Segment)</b>			
1.0 TSI (CHZD)		Gasolina	FWD	999	85	115	05.16-10.20	*
1.0 TSI (DKRA)		Gasolina	FWD	999	85	115	05.16-10.20	*
1.0 TSI (DKRF)		Gasolina	FWD	999	85	115	05.16-10.20	*
1.2 TSI (CJZB)		Gasolina	FWD	1197	63	86	11.12-02.17	*

# LISTA DE APLICACIONES - BUYERS GUIDE

1.2 TSI (CYVA)		Gasolina	FWD	1197	63	86	11.12-02.17	*
1.2 TSI (CJZA)		Gasolina	FWD	1197	77	105	11.12-02.17	*
1.2 TSI (CYVB)		Gasolina	FWD	1197	81	110	05.15-02.17	*
1.4 TSI (CHPA)		Gasolina	FWD	1395	103	140	11.12-02.17	*
1.4 TSI (CHPB)		Gasolina	FWD	1395	110	150	08.14-10.20	*
1.4 TSI (CZDA)		Gasolina	FWD	1395	110	150	08.14-10.20	*
1.6 (CWVA)		Gasolina	FWD	1598	81	110	01.14-10.20	*
1.8 TSI (CJSA)		Gasolina	FWD	1798	132	180	11.12-10.20	*
1.8 TSI 4x4 (CJSB)		Gasolina	4WD	1798	132	180	05.14-10.20	*
2.0 TSI RS (CHHB)		Gasolina	FWD	1984	162	220	05.13-02.17	*
2.0 TSI RS (CHHA)		Gasolina	FWD	1984	169	230	05.15-10.20	*
1.4 TSI G-TEC (CPWA)		Gasol./Gas (CNG)	FWD	1395	81	110	11.13-02.17	*
1.6 TDI (CLHB)		Diesel	FWD	1598	66	90	11.12-10.20	*
1.6 TDI (CRKA)		Diesel	FWD	1598	66	90	11.12-10.20	*
1.6 TDI (CXXA)		Diesel	FWD	1598	66	90	11.12-10.20	*
1.6 TDI (DDYB)		Diesel	FWD	1598	66	90	11.12-10.20	*
1.6 TDI (CLHA)		Diesel	FWD	1598	77	105	11.12-05.15	*
1.6 TDI 4x4 (CLHA)		Diesel	4WD	1598	77	105	05.13-05.15	*
1.6 TDI (CRKB)		Diesel	FWD	1598	81	110	05.13-02.17	*
1.6 TDI (CXXB)		Diesel	FWD	1598	81	110	05.13-02.17	*
1.6 TDI (DBKA)		Diesel	FWD	1598	81	110	05.13-02.17	*
1.6 TDI 4x4 (CRKB)		Diesel	4WD	1598	81	110	05.15-02.17	*
1.6 TDI 4x4 (CXXB)		Diesel	4WD	1598	81	110	05.15-02.17	*
2.0 TDI (CKFB)		Diesel	FWD	1968	105	143	11.12-02.17	*
2.0 TDI (CRVC)		Diesel	FWD	1968	105	143	11.12-02.17	*
2.0 TDI (CKFC)		Diesel	FWD	1968	110	150	11.12-10.20	*
2.0 TDI (CRMB)		Diesel	FWD	1968	110	150	11.12-10.20	*
2.0 TDI (CYKA)		Diesel	FWD	1968	110	150	11.12-10.20	*
2.0 TDI (DCYA)		Diesel	FWD	1968	110	150	11.12-10.20	*
2.0 TDI (DFFA)		Diesel	FWD	1968	110	150	11.12-10.20	*
2.0 TDI 4x4 (CKFC)		Diesel	4WD	1968	110	150	05.13-10.20	*
2.0 TDI 4x4 (CRMB)		Diesel	4WD	1968	110	150	05.13-10.20	*
2.0 TDI 4x4 (DCYA)		Diesel	4WD	1968	110	150	05.13-10.20	*
2.0 TDI 4x4 (DFFA)		Diesel	4WD	1968	110	150	05.13-10.20	*
2.0 TDI / TDI RS 4x4 (CUNA)		Diesel	4WD	1968	135	184	05.13-10.20	*
2.0 TDI / TDI RS 4x4 (CUPA)		Diesel	4WD	1968	135	184	05.13-10.20	*
2.0 TDI / TDI RS 4x4 (DJGA)		Diesel	4WD	1968	135	184	05.13-10.20	*
2.0 TDI RS (CUNA)		Diesel	FWD	1968	135	184	05.13-10.20	*
2.0 TDI RS (CUPA)		Diesel	FWD	1968	135	184	05.13-10.20	*
2.0 TDI RS (DJGA)		Diesel	FWD	1968	135	184	05.13-10.20	*
<b>OCTAVIA III Combi (5E5, 5E6) 11.12-</b>							<b>[CAMBIADO]:Break (Compact car-C Segment)</b>	
1.0 TSI (CHZD)		Gasolina	FWD	999	85	115	05.16-10.20	*
1.0 TSI (DKRA)		Gasolina	FWD	999	85	115	05.16-10.20	*
1.0 TSI (DKRF)		Gasolina	FWD	999	85	115	05.16-10.20	*
1.2 TSI (CJZB)		Gasolina	FWD	1197	63	86	11.12-02.17	*
1.2 TSI (CYVA)		Gasolina	FWD	1197	63	86	11.12-02.17	*
1.2 TSI (CJZA)		Gasolina	FWD	1197	77	105	11.12-02.17	*
1.2 TSI (CYVB)		Gasolina	FWD	1197	81	110	05.15-02.17	*
1.4 TSI (CHPA)		Gasolina	FWD	1395	103	140	11.12-02.17	*
1.4 TSI (CHPB)		Gasolina	FWD	1395	110	150	08.14-10.20	*

# LISTA DE APLICACIONES - BUYERS GUIDE

1.4 TSI (CZDA)		Gasolina	FWD	1395	110	150	08.14-10.20	*	
1.6 SRE (CWVA)		Gasolina	FWD	1598	81	110	01.14-02.17	*	
1.8 TSI (CJSA)		Gasolina	FWD	1798	132	180	11.12-10.20	*	
1.8 TSI (CJSB)		Gasolina	FWD	1798	132	180	11.12-10.20	*	
1.8 TSI 4x4 (CJSB)		Gasolina	4WD	1798	132	180	11.12-02.17	*	
2.0 TSI RS (CHHB)		Gasolina	FWD	1984	162	220	11.12-02.17	*	
2.0 TSI RS (CHHA)		Gasolina	FWD	1984	169	230	05.15-10.20	*	
1.4 TSI G-TEC (CPWA)		Gasol./Gas (CNG)	FWD	1395	81	110	11.12-02.17	*	
1.6 TDI (CLHB)		Diesel	FWD	1598	66	90	11.12-10.20	*	
1.6 TDI (CRKA)		Diesel	FWD	1598	66	90	11.12-10.20	*	
1.6 TDI (CXXA)		Diesel	FWD	1598	66	90	11.12-10.20	*	
1.6 TDI (DDYB)		Diesel	FWD	1598	66	90	11.12-10.20	*	
1.6 TDI (CLHA)		Diesel	FWD	1598	77	105	11.12-05.15	*	
1.6 TDI 4x4 (CLHA)		Diesel	4WD	1598	77	105	11.12-05.15	*	
1.6 TDI (CRKB)		Diesel	FWD	1598	81	110	05.13-02.17	*	
1.6 TDI (CXXB)		Diesel	FWD	1598	81	110	05.13-02.17	*	
1.6 TDI (DBKA)		Diesel	FWD	1598	81	110	05.13-02.17	*	
1.6 TDI 4x4 (CRKB)		Diesel	4WD	1598	81	110	05.15-02.17	*	
1.6 TDI 4x4 (CXXB)		Diesel	4WD	1598	81	110	05.15-02.17	*	
1.6 TDI 4x4 (DBKA)		Diesel	4WD	1598	81	110	05.15-02.17	*	
2.0 TDI (CKFB)		Diesel	FWD	1968	105	143	11.12-02.17	*	
2.0 TDI (CRVC)		Diesel	FWD	1968	105	143	11.12-02.17	*	
2.0 TDI (CKFC)		Diesel	FWD	1968	110	150	11.12-10.20	*	
2.0 TDI (CRMB)		Diesel	FWD	1968	110	150	11.12-10.20	*	
2.0 TDI (CYKA)		Diesel	FWD	1968	110	150	11.12-10.20	*	
2.0 TDI (DCYA)		Diesel	FWD	1968	110	150	11.12-10.20	*	
2.0 TDI (DFFA)		Diesel	FWD	1968	110	150	11.12-10.20	*	
2.0 TDI 4x4 (CKFC)		Diesel	4WD	1968	110	150	11.12-10.20	*	
2.0 TDI 4x4 (CRMB)		Diesel	4WD	1968	110	150	11.12-10.20	*	
2.0 TDI 4x4 (DCYA)		Diesel	4WD	1968	110	150	11.12-10.20	*	
2.0 TDI 4x4 (DFFA)		Diesel	4WD	1968	110	150	11.12-10.20	*	
2.0 TDI / TDI RS 4x4 (CUNA)		Diesel	4WD	1968	135	184	05.13-10.20	*	
2.0 TDI / TDI RS 4x4 (CUPA)		Diesel	4WD	1968	135	184	05.13-10.20	*	
2.0 TDI / TDI RS 4x4 (DJGA)		Diesel	4WD	1968	135	184	05.13-10.20	*	
2.0 TDI RS (CUNA)		Diesel	FWD	1968	135	184	05.13-10.20	*	
2.0 TDI RS (CUPA)		Diesel	FWD	1968	135	184	05.13-10.20	*	
2.0 TDI RS (DJGA)		Diesel	FWD	1968	135	184	05.13-10.20	*	
<b>VW</b>									
<b>CC B7 (358) 11.11-10.17</b>						<b>Coupé (Large family car-D Segment)</b>			
1.4 TSI (CTHD)		Gasolina	FWD	1390	118	160	11.11-12.16	*	
1.4 TSI (CZDA)		Gasolina	FWD	1395	110	150	05.15-12.16	*	
1.8 TSI (CDAB)		Gasolina	FWD	1798	112	152	11.11-12.16	*	
1.8 TSI (CDAA)		Gasolina	FWD	1798	118	160	11.11-12.16	*	
2.0 TFSI (CBFA)		Gasolina	FWD	1984	147	200	11.11-12.16	*	
2.0 TFSI (CCTA)		Gasolina	FWD	1984	147	200	11.11-12.16	*	
2.0 TSI (CCZB)		Gasolina	FWD	1984	155	210	11.11-12.16	*	
3.6 FSI		Gasolina	FWD	3597	206	280	11.11-	*	
3.6 FSI		Gasolina	FWD	3597	206	280	11.11-	*	
3.6 FSI 4motion (BWS)		Gasolina	4WD	3597	220	300	11.11-12.16	*	

# LISTA DE APLICACIONES - BUYERS GUIDE

1.4 TSI MultiFuel (CKMA)		Gasol./Etanol	FWD	1390	118	160	11.11-12.16	*	
2.0 TDI (CFFA)		Diesel	FWD	1968	100	136	11.11-12.16	*	
2.0 TDI (CFFB)		Diesel	FWD	1968	103	140	11.11-12.16	*	
2.0 TDI 4motion (CFFB)		Diesel	4WD	1968	103	140	11.11-12.16	*	
2.0 TDI (CUVC)		Diesel	FWD	1968	110	150	05.15-12.16	*	
2.0 TDI (CFGB)		Diesel	FWD	1968	125	170	11.11-12.16	*	
2.0 TDI (CLLA)		Diesel	FWD	1968	125	170	11.11-12.16	*	
2.0 TDI 4motion (CFGB)		Diesel	4WD	1968	125	170	11.11-01.13	*	
2.0 TDI (CFGC)		Diesel	FWD	1968	130	177	12.12-12.16	*	
2.0 TDI 4motion (CFGC)		Diesel	4WD	1968	130	177	12.12-12.16	*	
2.0 TDI (CUWA)		Diesel	FWD	1968	135	184	05.15-12.16	*	
<b>PASSAT B6 (3C2) 03.05-12.13</b>					<b>Sedán (Large family car-D Segment)</b>				
1.4 TSI (CAXA)		Gasolina	FWD	1390	90	122	05.07-07.10	*	
1.6 (BSE)		Gasolina	FWD	1595	75	102	05.05-07.10	*	
1.6 (BSF)		Gasolina	FWD	1595	75	102	05.05-07.10	*	
1.6 FSI (BLF)		Gasolina	FWD	1598	85	115	03.05-06.08	*	
1.8 TSI (CDAB)		Gasolina	FWD	1798	112	152	11.09-07.10	*	
1.8 TSI (CGYA)		Gasolina	FWD	1798	112	152	11.09-07.10	*	
1.8 TSI (BZB)		Gasolina	FWD	1798	118	160	05.07-07.10	*	
1.8 TSI (CDAA)		Gasolina	FWD	1798	118	160	05.07-07.10	*	
2.0 FSI (BLR)		Gasolina	FWD	1984	110	150	03.05-07.10	*	
2.0 FSI (BLY)		Gasolina	FWD	1984	110	150	03.05-07.10	*	
2.0 FSI (BVY)		Gasolina	FWD	1984	110	150	03.05-07.10	*	
2.0 FSI (BVZ)		Gasolina	FWD	1984	110	150	03.05-07.10	*	
2.0 FSI 4motion (BLX)		Gasolina	4WD	1984	110	150	09.05-07.10	*	
2.0 FSI 4motion (BLY)		Gasolina	4WD	1984	110	150	09.05-07.10	*	
2.0 FSI 4motion (BVX)		Gasolina	4WD	1984	110	150	09.05-07.10	*	
2.0 FSI (CCTB)		Gasolina	FWD	1984	125	170	08.07-07.10	*	
2.0 TFSI (AXX)		Gasolina	FWD	1984	147	200	07.05-07.10	*	
2.0 TFSI (BPY)		Gasolina	FWD	1984	147	200	07.05-07.10	*	
2.0 TFSI (BWA)		Gasolina	FWD	1984	147	200	07.05-07.10	*	
2.0 TFSI (CAWB)		Gasolina	FWD	1984	147	200	07.05-07.10	*	
2.0 TFSI (CBFA)		Gasolina	FWD	1984	147	200	07.05-07.10	*	
2.0 TFSI (CCTA)		Gasolina	FWD	1984	147	200	07.05-07.10	*	
2.0 TFSI (CCZA)		Gasolina	FWD	1984	147	200	07.05-07.10	*	
3.2 FSI 4motion (AXZ)		Gasolina	4WD	3168	184	250	11.05-07.10	*	
3.6 FSI		Gasolina	FWD	3597	206	280	09.05-	*	
3.6 R36 4motion (BWS)		Gasolina	4WD	3597	220	300	04.07-07.10	*	
1.4 TSI EcoFuel (CDGA)		Gasol./Gas (CNG)	FWD	1390	110	150	01.09-07.10	*	
1.6 TDI (CAYC)		Diesel	FWD	1598	77	105	08.09-07.10	*	
1.9 TDI (BKC)		Diesel	FWD	1896	77	105	03.05-07.10	*	
1.9 TDI (BLS)		Diesel	FWD	1896	77	105	03.05-07.10	*	
1.9 TDI (BXE)		Diesel	FWD	1896	77	105	03.05-07.10	*	
2.0 TDI (CBDC)		Diesel	FWD	1968	81	110	11.08-07.10	*	
2.0 TDI (BWV)		Diesel	FWD	1968	88	120	11.05-05.07	*	
2.0 TDI (BVE)		Diesel	FWD	1968	90	122	08.05-07.06	*	
2.0 TDI (BMA)		Diesel	FWD	1968	100	136	03.05-11.10	*	
2.0 TDI (CBAA)		Diesel	FWD	1968	100	136	03.05-11.10	*	
2.0 TDI (BMP)		Diesel	FWD	1968	103	140	03.05-05.09	*	
2.0 TDI 16V (BKP)		Diesel	FWD	1968	103	140	03.05-07.10	*	

# LISTA DE APLICACIONES - BUYERS GUIDE

2.0 TDI 16V (CBAB)		Diesel	FWD	1968	103	140	03.05-07.10	*
2.0 TDI 16V 4motion (BKP)		Diesel	4WD	1968	103	140	03.05-08.10	*
2.0 TDI 16V 4motion (CBAB)		Diesel	4WD	1968	103	140	03.05-08.10	*
2.0 TDI 4motion (BMP)		Diesel	4WD	1968	103	140	03.05-05.09	*
2.0 BlueTDI (CBAC)		Diesel	FWD	1968	105	143	01.09-11.10	*
2.0 TDI (BUZ)		Diesel	FWD	1968	120	163	08.05-05.09	*
2.0 TDI (BMR)		Diesel	FWD	1968	125	170	08.05-07.10	*
2.0 TDI (CBBB)		Diesel	FWD	1968	125	170	08.05-07.10	*
2.0 TDI 4motion (CBBB)		Diesel	4WD	1968	125	170	05.09-07.10	*
<b>PASSAT B6 CC (357) 02.08-12.13</b>				<b>Coupé (Large family car-D Segment)</b>				
1.8 TSI (CDAB)		Gasolina	FWD	1798	112	152	11.08-05.10	*
1.8 TSI (CGYA)		Gasolina	FWD	1798	112	152	11.08-05.10	*
1.8 TSI (BZB)		Gasolina	FWD	1798	118	160	06.08-01.12	*
1.8 TSI (CDAA)		Gasolina	FWD	1798	118	160	06.08-01.12	*
2.0 TFSI (CAWB)		Gasolina	FWD	1984	147	200	06.08-01.12	*
2.0 TFSI (CBFA)		Gasolina	FWD	1984	147	200	06.08-01.12	*
2.0 TFSI (CCTA)		Gasolina	FWD	1984	147	200	06.08-01.12	*
2.0 TFSI (CCZA)		Gasolina	FWD	1984	147	200	06.08-01.12	*
2.0 TSI (CCZB)		Gasolina	FWD	1984	155	211	11.10-01.12	*
3.6 FSI 4motion (BLV)		Gasolina	4WD	3580	206	280	06.08-01.12	*
3.6 FSI 4motion (CNNA)		Gasolina	4WD	3580	206	280	06.08-01.12	*
3.6 FSI		Gasolina	FWD	3597	206	280	06.08-	*
3.6 FSI 4motion (BWS)		Gasolina	4WD	3597	220	300	02.08-12.11	*
1.4 TSI MultiFuel (CKMA)		Gasol./Etanol	FWD	1390	118	160	01.11-01.12	*
2.0 TDI (CBAA)		Diesel	FWD	1968	100	136	06.08-05.11	*
2.0 TDI (CFFA)		Diesel	FWD	1968	100	136	06.08-05.11	*
2.0 TDI (CBAB)		Diesel	FWD	1968	103	140	06.08-01.12	*
2.0 TDI (CFFB)		Diesel	FWD	1968	103	140	06.08-01.12	*
2.0 TDI 4motion (CBAB)		Diesel	4WD	1968	103	140	08.09-01.12	*
2.0 TDI 4motion (CFFB)		Diesel	4WD	1968	103	140	08.09-01.12	*
2.0 BlueTDI (CBAC)		Diesel	FWD	1968	105	143	05.09-11.10	*
2.0 TDI (CBBA)		Diesel	FWD	1968	120	163	02.08-05.09	*
2.0 TDI (CBBB)		Diesel	FWD	1968	125	170	06.08-01.12	*
2.0 TDI (CFGB)		Diesel	FWD	1968	125	170	06.08-01.12	*
2.0 TDI (CLLA)		Diesel	FWD	1968	125	170	06.08-01.12	*
2.0 TDI 4motion (CBBB)		Diesel	4WD	1968	125	170	11.09-01.12	*
2.0 TDI 4motion (CFGB)		Diesel	4WD	1968	125	170	11.09-01.12	*
<b>PASSAT B6 Variant (3C5) 08.05-11.11</b>				<b>[CAMBIADO]:Break (Large family car-D Segment)</b>				
1.4 TSI (CAXA)		Gasolina	FWD	1390	90	122	05.07-11.10	*
1.6 (BSE)		Gasolina	FWD	1595	75	102	08.05-11.10	*
1.6 (BSF)		Gasolina	FWD	1595	75	102	08.05-11.10	*
1.6 FSI (BLF)		Gasolina	FWD	1598	85	115	08.05-06.08	*
1.8 TSI (CDAB)		Gasolina	FWD	1798	112	152	11.09-11.10	*
1.8 TSI (CGYA)		Gasolina	FWD	1798	112	152	11.09-11.10	*
1.8 TSI (BZB)		Gasolina	FWD	1798	118	160	05.07-10.11	*
1.8 TSI (CDAA)		Gasolina	FWD	1798	118	160	05.07-10.11	*
2.0 FSI (BLR)		Gasolina	FWD	1984	110	150	08.05-11.10	*
2.0 FSI (BLY)		Gasolina	FWD	1984	110	150	08.05-11.10	*
2.0 FSI (BVY)		Gasolina	FWD	1984	110	150	08.05-11.10	*
2.0 FSI (BVZ)		Gasolina	FWD	1984	110	150	08.05-11.10	*

# LISTA DE APLICACIONES - BUYERS GUIDE

2.0 FSI 4motion (BLX)		Gasolina	4WD	1984	110	150	09.05-11.10	*
2.0 FSI 4motion (BLY)		Gasolina	4WD	1984	110	150	09.05-11.10	*
2.0 FSI 4motion (BVX)		Gasolina	4WD	1984	110	150	09.05-11.10	*
2.0 FSI		Gasolina	FWD	1984	125	170	12.07-11.10	*
2.0 TFSI (AXX)		Gasolina	FWD	1984	147	200	08.05-11.10	*
2.0 TFSI (BPY)		Gasolina	FWD	1984	147	200	08.05-11.10	*
2.0 TFSI (BWA)		Gasolina	FWD	1984	147	200	08.05-11.10	*
2.0 TFSI (CAWB)		Gasolina	FWD	1984	147	200	08.05-11.10	*
2.0 TFSI (CBFA)		Gasolina	FWD	1984	147	200	08.05-11.10	*
2.0 TFSI (CCTA)		Gasolina	FWD	1984	147	200	08.05-11.10	*
2.0 TFSI (CCZA)		Gasolina	FWD	1984	147	200	08.05-11.10	*
3.2 FSI 4motion (AXZ)		Gasolina	4WD	3168	184	250	11.05-11.10	*
3.6 FSI		Gasolina	FWD	3597	206	280	09.05-	*
3.6 FSI		Gasolina	FWD	3597	206	280	09.05-	*
3.6 R36 4motion (BWS)		Gasolina	4WD	3597	220	300	04.07-11.10	*
1.4 TSI EcoFuel (CDGA)		Gasol./Gas (CNG)	FWD	1390	110	150	01.09-11.10	*
1.6 TDI (CAYC)		Diesel	FWD	1598	77	105	08.09-11.10	*
1.9 TDI (BKC)		Diesel	FWD	1896	77	105	08.05-11.10	*
1.9 TDI (BLS)		Diesel	FWD	1896	77	105	08.05-11.10	*
1.9 TDI (BXE)		Diesel	FWD	1896	77	105	08.05-11.10	*
2.0 TDI (CBDC)		Diesel	FWD	1968	81	110	11.08-11.10	*
2.0 TDI (BWV)		Diesel	FWD	1968	88	120	11.05-05.07	*
2.0 TDI (BVE)		Diesel	FWD	1968	90	122	08.05-02.06	*
2.0 TDI (BMA)		Diesel	FWD	1968	100	136	08.05-11.10	*
2.0 TDI (CBAA)		Diesel	FWD	1968	100	136	08.05-11.10	*
2.0 TDI (BMP)		Diesel	FWD	1968	103	140	08.05-05.09	*
2.0 TDI 16V (BKP)		Diesel	FWD	1968	103	140	08.05-11.10	*
2.0 TDI 16V (CBAB)		Diesel	FWD	1968	103	140	08.05-11.10	*
2.0 TDI 16V 4motion (BKP)		Diesel	4WD	1968	103	140	08.05-11.10	*
2.0 TDI 16V 4motion (CBAB)		Diesel	4WD	1968	103	140	08.05-11.10	*
2.0 TDI 4motion (BMP)		Diesel	4WD	1968	103	140	08.05-05.09	*
2.0 BlueTDI (CBAC)		Diesel	FWD	1968	105	143	01.09-11.10	*
2.0 TDI (BUZ)		Diesel	FWD	1968	120	163	08.05-05.09	*
2.0 TDI (BMR)		Diesel	FWD	1968	125	170	08.05-11.10	*
2.0 TDI (CBBB)		Diesel	FWD	1968	125	170	08.05-11.10	*
2.0 TDI 4motion (CBBB)		Diesel	4WD	1968	125	170	05.09-11.10	*
<b>PASSAT B7 (365) 08.10-12.14</b>							<b>[CAMBIADO]:Furgón/Break (Large family car-D Segment)</b>	
1.4 TSI (CAXA)		Gasolina	FWD	1390	90	122	08.10-12.14	*
1.8 TSI		Gasolina	FWD	1798	112	152	08.10-12.14	*
1.8 TSI (CDAA)		Gasolina	FWD	1798	118	160	08.10-12.14	*
2.0 TSI		Gasolina	FWD	1984	155	211	11.10-12.14	*
3.6 FSI 4motion (BWS)		Gasolina	4WD	3597	220	299	01.11-12.14	*
1.6 TDI (CAYC)		Diesel	FWD	1598	77	105	08.10-12.14	*
2.0 TDI		Diesel	FWD	1968	100	136	08.10-12.14	*
2.0 TDI (CFFB)		Diesel	FWD	1968	103	140	08.10-12.14	*
2.0 TDI (CFGB)		Diesel	FWD	1968	125	170	08.10-12.14	*
2.0 TDI (CLLA)		Diesel	FWD	1968	125	170	08.10-12.14	*
2.0 TDI		Diesel	FWD	1968	130	177	08.10-12.14	*

# LISTA DE APLICACIONES - BUYERS GUIDE

<b>PASSAT B7 (362) 08.10-04.16</b>					<b>Sedán (Large family car-D Segment)</b>			
1.4 TSI (CAXA)		Gasolina	FWD	1390	90	122	08.10-12.14	*
1.4 TSI (CTHD)		Gasolina	FWD	1390	118	160	11.12-12.14	*
1.8 TSI (CDAB)		Gasolina	FWD	1798	112	152	02.11-12.14	*
1.8 TSI (CDAA)		Gasolina	FWD	1798	118	160	08.10-12.14	*
2.0 TSI (CCZB)		Gasolina	FWD	1984	155	210	11.10-12.14	*
3.6 FSI		Gasolina	FWD	3597	206	280	01.12-	*
3.6 FSI 4motion (BWS)		Gasolina	4WD	3597	220	300	01.11-12.14	*
1.4 TSI EcoFuel (CDGA)		Gasol./Gas (CNG)	FWD	1390	110	150	08.10-12.14	*
1.4 TSI MultiFuel (CKMA)		Gasol./Etanol	FWD	1390	118	160	11.10-12.14	*
1.6 TDI (CAYC)		Diesel	FWD	1598	77	105	08.10-12.14	*
2.0 TDI (CFFA)		Diesel	FWD	1968	100	136	08.10-12.14	*
2.0 TDI (CFFB)		Diesel	FWD	1968	103	140	08.10-12.14	*
2.0 TDI (CFFB)		Diesel	FWD	1968	103	140	04.11-06.15	*
2.0 TDI (CKRA)		Diesel	FWD	1968	103	140	04.11-06.15	*
2.0 TDI 4motion (CFFB)		Diesel	4WD	1968	103	140	08.10-12.14	*
2.0 TDI (CFGB)		Diesel	FWD	1968	125	170	08.10-12.14	*
2.0 TDI (CLLA)		Diesel	FWD	1968	125	170	08.10-12.14	*
2.0 TDI 4motion (CFGB)		Diesel	4WD	1968	125	170	08.10-01.13	*
2.0 TDI (CFGC)		Diesel	FWD	1968	130	177	12.12-12.14	*
2.0 TDI 4motion (CFGC)		Diesel	4WD	1968	130	177	01.13-12.14	*
<b>PASSAT B7 ALLTRACK (365) 01.12-12.14</b>					<b>[CAMBIADO]:Break (Large family car-D Segment)</b>			
1.8 TSI (CDAB)		Gasolina	FWD	1798	112	152	01.12-12.14	*
1.8 TSI (CDAA)		Gasolina	FWD	1798	118	160	01.12-12.14	*
2.0 TSI 4motion (CCZB)		Gasolina	4WD	1984	155	210	01.12-12.14	*
2.0 TDI (CFFB)		Diesel	FWD	1968	103	140	01.12-12.14	*
2.0 TDI 4motion (CFFB)		Diesel	4WD	1968	103	140	01.12-12.14	*
2.0 TDI 4motion (CFGB)		Diesel	4WD	1968	125	170	01.12-12.14	*
2.0 TDI 4motion (CFGC)		Diesel	4WD	1968	130	177	01.13-12.14	*
<b>PASSAT B7 Variant (365) 08.10-12.15</b>					<b>[CAMBIADO]:Break (Large family car-D Segment)</b>			
1.4 TSI (CAXA)		Gasolina	FWD	1390	90	122	08.10-12.14	*
1.4 TSI (CTHD)		Gasolina	FWD	1390	118	160	11.12-12.14	*
1.8 TSI (CDAB)		Gasolina	FWD	1798	112	152	02.11-12.14	*
1.8 TSI (CDAA)		Gasolina	FWD	1798	118	160	08.10-12.14	*
2.0 TSI (CCZB)		Gasolina	FWD	1984	155	210	11.10-12.15	*
3.6 FSI 4motion (BWS)		Gasolina	4WD	3597	220	300	01.11-12.14	*
1.4 TSI EcoFuel (CDGA)		Gasol./Gas (CNG)	FWD	1390	110	150	08.10-12.14	*
1.4 TSI MultiFuel (CKMA)		Gasol./Etanol	FWD	1390	118	160	11.10-12.14	*
1.6 TDI (CAYC)		Diesel	FWD	1598	77	105	08.10-12.14	*
2.0 TDI (CFFA)		Diesel	FWD	1968	100	136	08.10-12.14	*
2.0 TDI (CFFB)		Diesel	FWD	1968	103	140	08.10-12.14	*
2.0 TDI 4motion (CFFB)		Diesel	4WD	1968	103	140	08.10-12.14	*
2.0 TDI (CFGB)		Diesel	FWD	1968	125	170	08.10-12.14	*
2.0 TDI (CLLA)		Diesel	FWD	1968	125	170	08.10-12.14	*
2.0 TDI 4motion (CFGB)		Diesel	4WD	1968	125	170	08.10-01.13	*
2.0 TDI (CFGC)		Diesel	FWD	1968	130	177	12.12-12.14	*
2.0 TDI 4motion (CFGC)		Diesel	4WD	1968	130	177	01.13-12.14	*

# LISTA DE APLICACIONES - BUYERS GUIDE

<b>PASSAT B8 (3G2, CB2) 08.14-</b>					<b>Sedán (Large family car-D Segment)</b>			
1.4 TSI (CZCA)		Gasolina	FWD	1395	92	125	11.14-11.18	*
1.4 TSI (CZDA)		Gasolina	FWD	1395	110	150	11.14-03.24	*
1.4 TSI (CZEA)		Gasolina	FWD	1395	110	150	11.14-03.24	*
1.4 TSI 4motion (CZEA)		Gasolina	4WD	1395	110	150	02.15-11.18	*
1.8 TSI (CJSA)		Gasolina	FWD	1798	132	180	02.15-07.19	*
1.8 TSI (CJSC)		Gasolina	FWD	1798	132	180	02.15-07.19	*
2.0 TSI (CHHB)		Gasolina	FWD	1984	162	220	02.15-03.24	*
2.0 TSI (CXDA)		Gasolina	FWD	1984	162	220	02.15-03.24	*
2.0 TSI 4motion (CJXA)		Gasolina	4WD	1984	206	280	05.15-03.24	*
1.6 TDI (DCXA)		Diesel	FWD	1598	88	120	08.14-11.20	*
1.6 TDI (DCZA)		Diesel	FWD	1598	88	120	08.14-11.20	*
2.0 TDI (CRLB)		Diesel	FWD	1968	110	150	11.14-03.24	*
2.0 TDI (DBGA)		Diesel	FWD	1968	110	150	11.14-03.24	*
2.0 TDI (DFGA)		Diesel	FWD	1968	110	150	11.14-03.24	*
2.0 TDI (DSRA)		Diesel	FWD	1968	110	150	11.14-03.24	*
2.0 TDI (DSRB)		Diesel	FWD	1968	110	150	11.14-03.24	*
2.0 TDI 4motion (CRLB)		Diesel	4WD	1968	110	150	08.14-03.24	*
2.0 TDI 4motion (DFEA)		Diesel	4WD	1968	110	150	08.14-03.24	*
2.0 TDI 4motion (DFGA)		Diesel	4WD	1968	110	150	08.14-03.24	*
2.0 TDI (CUPA)		Diesel	FWD	1968	135	184	07.15-05.16	*
2.0 TDI (DDAA)		Diesel	FWD	1968	140	190	11.14-03.24	*
2.0 TDI (DFCA)		Diesel	FWD	1968	140	190	11.14-03.24	*
2.0 TDI (DFHA)		Diesel	FWD	1968	140	190	11.14-03.24	*
2.0 TDI 4motion (DDAA)		Diesel	4WD	1968	140	190	11.14-03.24	*
2.0 TDI 4motion (DFCA)		Diesel	4WD	1968	140	190	11.14-03.24	*
2.0 TDI 4motion (DFHA)		Diesel	4WD	1968	140	190	11.14-03.24	*
2.0 TDI 4motion (CUAA)		Diesel	4WD	1968	176	240	08.14-11.20	*
<b>PASSAT B8 ALLTRACK Variant (3G5, CB5) 05.15-</b>					<b>[CAMBIADO]:Break (Large family car-D Segment)</b>			
2.0 TSI 4motion (CHHB)		Gasolina	4WD	1984	162	220	07.15-03.24	*
2.0 TDI 4motion (CRLB)		Diesel	4WD	1968	110	150	05.15-11.17	*
2.0 TDI 4motion (DFEA)		Diesel	4WD	1968	110	150	05.15-11.17	*
2.0 TDI 4motion (CUPA)		Diesel	4WD	1968	135	184	07.15-05.16	*
2.0 TDI 4motion (DDAA)		Diesel	4WD	1968	140	190	05.15-03.24	*
2.0 TDI 4motion (DFCA)		Diesel	4WD	1968	140	190	05.15-03.24	*
2.0 TDI 4motion (DFHA)		Diesel	4WD	1968	140	190	05.15-03.24	*
2.0 TDI 4motion (CUAA)		Diesel	4WD	1968	176	240	05.15-11.20	*
<b>PASSAT B8 Variant (3G5, CB5) 08.14-</b>					<b>[CAMBIADO]:Break (Large family car-D Segment)</b>			
1.4 TSI (CZCA)		Gasolina	FWD	1395	92	125	11.14-11.18	*
1.4 TSI (CZDA)		Gasolina	FWD	1395	110	150	11.14-03.24	*
1.4 TSI (CZEA)		Gasolina	FWD	1395	110	150	11.14-03.24	*
1.4 TSI 4motion (CZEA)		Gasolina	4WD	1395	110	150	02.15-11.18	*
1.8 TSI (CJSA)		Gasolina	FWD	1798	132	180	02.15-07.19	*
1.8 TSI (CJSC)		Gasolina	FWD	1798	132	180	02.15-07.19	*
2.0 TSI (CHHB)		Gasolina	FWD	1984	162	220	08.14-03.24	*
2.0 TSI (CXDA)		Gasolina	FWD	1984	162	220	08.14-03.24	*
2.0 TSI 4motion (CJXA)		Gasolina	4WD	1984	206	280	05.15-03.24	*
1.6 TDI (DCXA)		Diesel	FWD	1598	88	120	08.14-11.20	*
1.6 TDI (DCZA)		Diesel	FWD	1598	88	120	08.14-11.20	*
2.0 TDI (CRLB)		Diesel	FWD	1968	110	150	11.14-03.24	*

# LISTA DE APLICACIONES - BUYERS GUIDE

2.0 TDI (DBGA)		Diesel	FWD	1968	110	150	11.14-03.24	*
2.0 TDI (DFGA)		Diesel	FWD	1968	110	150	11.14-03.24	*
2.0 TDI (DSRA)		Diesel	FWD	1968	110	150	11.14-03.24	*
2.0 TDI (DSRB)		Diesel	FWD	1968	110	150	11.14-03.24	*
2.0 TDI 4motion (CRLB)		Diesel	4WD	1968	110	150	08.14-03.24	*
2.0 TDI 4motion (DFEA)		Diesel	4WD	1968	110	150	08.14-03.24	*
2.0 TDI 4motion (DFGA)		Diesel	4WD	1968	110	150	08.14-03.24	*
2.0 TDI (CUPA)		Diesel	FWD	1968	135	184	07.15-05.16	*
2.0 TDI (DDAA)		Diesel	FWD	1968	140	190	11.14-03.24	*
2.0 TDI (DFCA)		Diesel	FWD	1968	140	190	11.14-03.24	*
2.0 TDI (DFHA)		Diesel	FWD	1968	140	190	11.14-03.24	*
2.0 TDI 4motion (DDAA)		Diesel	4WD	1968	140	190	11.14-03.24	*
2.0 TDI 4motion (DFCA)		Diesel	4WD	1968	140	190	11.14-03.24	*
2.0 TDI 4motion (DFHA)		Diesel	4WD	1968	140	190	11.14-03.24	*
2.0 TDI 4motion (CUAA)		Diesel	4WD	1968	176	240	08.14-11.20	*
<b>SHARAN II (7N1, 7N2) 05.10-</b>					<b>Furgoneta/MPV (Large MPV-M1 Segment)</b>			
1.4 TSI		Gasolina	FWD	1390	110	150	05.10-11.15	*
2.0 TSI		Gasolina	FWD	1984	147	200	12.10-11.15	*
2.0 TDI		Diesel	FWD	1968	85	116	05.11-11.15	*
2.0 TDI		Diesel	FWD	1968	100	136	05.10-05.11	*
2.0 TDI		Diesel	FWD	1968	103	140	05.10-11.15	*
2.0 TDI		Diesel	FWD	1968	125	170	08.10-01.13	*
<b>SHARAN II (7N1, 7N2) 05.10-</b>					<b>MPV (Large MPV-M1 Segment)</b>			
1.4 TSI (CAVA)		Gasolina	FWD	1390	110	150	05.10-11.15	*
1.4 TSI (CNWB)		Gasolina	FWD	1390	110	150	05.10-11.15	*
1.4 TSI (CTHA)		Gasolina	FWD	1390	110	150	05.10-11.15	*
1.4 TSI (CZDA)		Gasolina	FWD	1395	110	150	05.15-11.22	*
1.4 TSI (DJKA)		Gasolina	FWD	1395	110	150	05.15-11.22	*
2.0 TFSI (CCZA)		Gasolina	FWD	1984	147	200	12.10-11.15	*
2.0 TSI (DEDA)		Gasolina	FWD	1984	162	220	05.15-12.20	*
2.0 TDI (CFFE)		Diesel	FWD	1968	85	115	05.11-07.19	*
2.0 TDI (CUVA)		Diesel	FWD	1968	85	115	05.11-07.19	*
2.0 TDI (DFLD)		Diesel	FWD	1968	85	115	05.11-07.19	*
2.0 TDI (DLTC)		Diesel	FWD	1968	85	115	05.11-07.19	*
2.0 TDI		Diesel	RWD	1968	100	136	05.11-05.12	*
2.0 TDI (CFFA)		Diesel	FWD	1968	100	136	05.10-11.15	*
2.0 TDI (CFFB)		Diesel	FWD	1968	103	140	05.10-11.15	*
2.0 TDI 4motion (CFFB)		Diesel	4WD	1968	103	140	05.11-11.15	*
2.0 TDI (CUVC)		Diesel	FWD	1968	110	150	05.15-10.20	*
2.0 TDI (DFLA)		Diesel	FWD	1968	110	150	05.15-10.20	*
2.0 TDI (DLTA)		Diesel	FWD	1968	110	150	05.15-10.20	*
2.0 TDI 4motion (CUVC)		Diesel	4WD	1968	110	150	05.15-07.19	*
2.0 TDI 4motion (DFLA)		Diesel	4WD	1968	110	150	05.15-07.19	*
2.0 TDI 4motion (DLTA)		Diesel	4WD	1968	110	150	05.15-07.19	*
2.0 TDI (CFGB)		Diesel	FWD	1968	125	170	05.10-01.13	*
2.0 TDI (CFGC)		Diesel	FWD	1968	130	177	01.13-06.22	*
2.0 TDI (DLUB)		Diesel	FWD	1968	130	177	01.13-06.22	*
2.0 TDI (CUWA)		Diesel	FWD	1968	135	184	05.15-07.18	*
2.0 TDI (DFMA)		Diesel	FWD	1968	135	184	05.15-07.18	*
2.0 TDI 4motion (DFMA)		Diesel	4WD	1968	135	184	05.16-07.18	*

# LISTA DE APLICACIONES - BUYERS GUIDE

<b>TIGUAN (5N_) 09.07-07.18</b>					<b>Furgoneta/SUV (Compact SUV-J Segment)</b>			
1.4 TSI (5N1)		Gasolina	FWD	1390	90	122	08.10-05.11	*
1.4 TSI (5N1)		Gasolina	FWD	1390	110	150	05.08-05.10	*
1.4 TSI (5N2)		Gasolina	FWD	1390	118	160	09.12-07.18	*
1.4 TSI 4motion (5N2)		Gasolina	4WD	1390	118	160	09.12-07.18	*
2.0 TSI 4motion (5N1)		Gasolina	4WD	1984	125	170	11.09-05.11	*
2.0 TSI 4motion (5N1)		Gasolina	4WD	1984	147	200	11.09-05.11	*
2.0 TSI 4motion (5N2)		Gasolina	4WD	1984	155	211	05.11-07.18	*
2.0 TDI (5N1)		Diesel	FWD	1968	81	110	05.10-07.11	*
2.0 TDI (5N1, 5N2)		Diesel	FWD	1968	103	140	11.09-07.18	*
2.0 TDI 4motion (5N1, 5N2)		Diesel	4WD	1968	103	140	11.07-07.18	*
2.0 TDI 4motion (5N1, 5N2)		Diesel	4WD	1968	125	170	05.10-05.13	*
2.0 TDI 4motion (5N2)		Diesel	4WD	1968	130	177	11.12-07.18	*
<b>TIGUAN (5N_) 09.07-</b>					<b>SUV (Compact SUV-J Segment)</b>			
1.4 TSI (CAXA)		Gasolina	FWD	1390	90	122	08.10-07.18	*
1.4 TSI (CAVA)		Gasolina	FWD	1390	110	150	05.08-07.18	*
1.4 TSI (CTHA)		Gasolina	FWD	1390	110	150	05.08-07.18	*
1.4 TSI 4motion (BWK)		Gasolina	4WD	1390	110	150	09.07-07.18	*
1.4 TSI 4motion (CAVA)		Gasolina	4WD	1390	110	150	09.07-07.18	*
1.4 TSI 4motion (CTHA)		Gasolina	4WD	1390	110	150	09.07-07.18	*
1.4 TSI (CAVD)		Gasolina	FWD	1390	118	160	05.11-07.18	*
1.4 TSI (CTHD)		Gasolina	FWD	1390	118	160	05.11-07.18	*
1.4 TSI 4motion (CAVD)		Gasolina	4WD	1390	118	160	05.11-07.18	*
1.4 TSI 4motion (CTHD)		Gasolina	4WD	1390	118	160	05.11-07.18	*
1.4 TSI (CZDB)		Gasolina	FWD	1395	92	125	05.15-07.18	*
1.4 TSI (CZDA)		Gasolina	FWD	1395	110	150	05.15-07.18	*
2.0 TFSI		Gasolina	FWD	1984	125	170	05.08-	*
2.0 TFSI 4motion (CAWA)		Gasolina	4WD	1984	125	170	09.07-07.18	*
2.0 TFSI 4motion (CCTB)		Gasolina	4WD	1984	125	170	09.07-07.18	*
2.0 TFSI 4motion (CCZC)		Gasolina	4WD	1984	125	170	09.07-07.18	*
2.0 TSI 4motion (CCZD)		Gasolina	4WD	1984	132	180	05.11-07.18	*
2.0 TFSI (CAWB)		Gasolina	FWD	1984	147	200	11.07-07.18	*
2.0 TFSI (CCTA)		Gasolina	FWD	1984	147	200	11.07-07.18	*
2.0 TFSI (CCZA)		Gasolina	FWD	1984	147	200	11.07-07.18	*
2.0 TFSI 4motion (CAWB)		Gasolina	4WD	1984	147	200	09.07-07.18	*
2.0 TFSI 4motion (CCTA)		Gasolina	4WD	1984	147	200	09.07-07.18	*
2.0 TFSI 4motion (CCZA)		Gasolina	4WD	1984	147	200	09.07-07.18	*
2.0 TSI 4motion (CCZB)		Gasolina	4WD	1984	155	211	05.11-07.18	*
2.0 TDI (CFFD)		Diesel	FWD	1968	81	110	05.10-07.18	*
2.0 TDI (CUVE)		Diesel	FWD	1968	81	110	05.10-07.18	*
2.0 TDI 4motion (CBAA)		Diesel	4WD	1968	100	136	11.07-07.18	*
2.0 TDI 4motion (CFFA)		Diesel	4WD	1968	100	136	11.07-07.18	*
2.0 TDI (CBAB)		Diesel	FWD	1968	103	140	03.08-07.18	*
2.0 TDI (CFFB)		Diesel	FWD	1968	103	140	03.08-07.18	*
2.0 TDI 4motion (CBAB)		Diesel	4WD	1968	103	140	09.07-07.18	*
2.0 TDI 4motion (CFFB)		Diesel	4WD	1968	103	140	09.07-07.18	*
2.0 TDI 4motion (CLJA)		Diesel	4WD	1968	103	140	09.07-07.18	*
2.0 TDI (CUVC)		Diesel	FWD	1968	110	150	05.15-07.18	*
2.0 TDI 4motion (CUVC)		Diesel	4WD	1968	110	150	05.15-07.18	*
2.0 TDI 4motion (CBBA)		Diesel	4WD	1968	120	163	02.08-08.09	*

# LISTA DE APLICACIONES - BUYERS GUIDE

2.0 TDI 4motion (CBBB)		Diesel	4WD	1968	125	170	09.07-07.18	*
2.0 TDI 4motion (CFGB)		Diesel	4WD	1968	125	170	09.07-07.18	*
2.0 TDI 4motion (CFGC)		Diesel	4WD	1968	130	177	11.12-07.18	*
2.0 TDI 4motion (CUWA)		Diesel	4WD	1968	135	184	05.15-07.18	*
<b>TIGUAN II (AD1) 07.15-</b>								<b>Furgoneta/SUV ()</b>
TDI 4motion		Diesel	4WD	1968	140	190	01.16-07.20	*
<b>TIGUAN II (AD1, AX1) 01.16-</b>								<b>SUV (Compact SUV-J Segment)</b>
1.4 TSI (CZCA)		Gasolina	FWD	1395	92	125	01.16-03.22	*
1.4 TSI (CZDA)		Gasolina	FWD	1395	110	150	05.16-04.24	*
1.4 TSI (CZEA)		Gasolina	FWD	1395	110	150	05.16-04.24	*
1.4 TSI (DJVA)		Gasolina	FWD	1395	110	150	05.16-04.24	*
1.4 TSI 4motion (CZDA)		Gasolina	4WD	1395	110	150	05.16-07.18	*
1.4 TSI 4motion (CZEA)		Gasolina	4WD	1395	110	150	05.16-07.18	*
2.0 TSI 4motion (CZPA)		Gasolina	4WD	1984	132	180	01.16-04.24	*
2.0 TSI 4motion (CHHB)		Gasolina	4WD	1984	162	220	06.16-04.24	*
1.6 TDI (DGDB)		Diesel	FWD	1598	85	115	05.16-06.20	*
2.0 TDI (CYKC)		Diesel	FWD	1968	81	110	08.16-07.20	*
2.0 TDI (DFGC)		Diesel	FWD	1968	85	115	05.16-07.19	*
2.0 TDI 4motion		Diesel	4WD	1968	105	143	06.16-07.20	*
2.0 TDI (DFGA)		Diesel	FWD	1968	110	150	01.16-04.24	*
2.0 TDI (DTSA)		Diesel	FWD	1968	110	150	01.16-04.24	*
2.0 TDI (DTSB)		Diesel	FWD	1968	110	150	01.16-04.24	*
2.0 TDI 4motion (DBGC)		Diesel	4WD	1968	110	150	01.16-04.24	*
2.0 TDI 4motion (DFGA)		Diesel	4WD	1968	110	150	01.16-04.24	*
2.0 TDI 4motion (DTSA)		Diesel	4WD	1968	110	150	01.16-04.24	*
2.0 TDI 4motion (DTSB)		Diesel	4WD	1968	110	150	01.16-04.24	*
2.0 TDI 4motion (CRGB)		Diesel	4WD	1968	130	177	08.16-07.20	*
2.0 TDI 4motion (DFHA)		Diesel	4WD	1968	140	190	04.16-07.20	*
2.0 TDI 4motion (CUAA)		Diesel	4WD	1968	176	240	05.16-07.20	*
<b>VW (SVW)</b>								
<b>TIGUAN (591, 592) 03.10-</b>								<b>Closed SUV (Compact SUV-J Segment)</b>
1.4 TSI		Gasolina	FWD	1390	96	131	07.12-	*
<b>TIGUAN (591, 592) 03.10-</b>								<b>SUV (Compact SUV-J Segment)</b>
300 TSI		Gasolina	FWD	1798	118	160	03.10-12.19	*
300 TSI 4motion		Gasolina	4WD	1798	118	160	03.10-12.17	*
330 TSI 4motion		Gasolina	4WD	1984	147	200	03.10-12.17	*