

LISTA DE APLICACIONES - BUYERS GUIDE

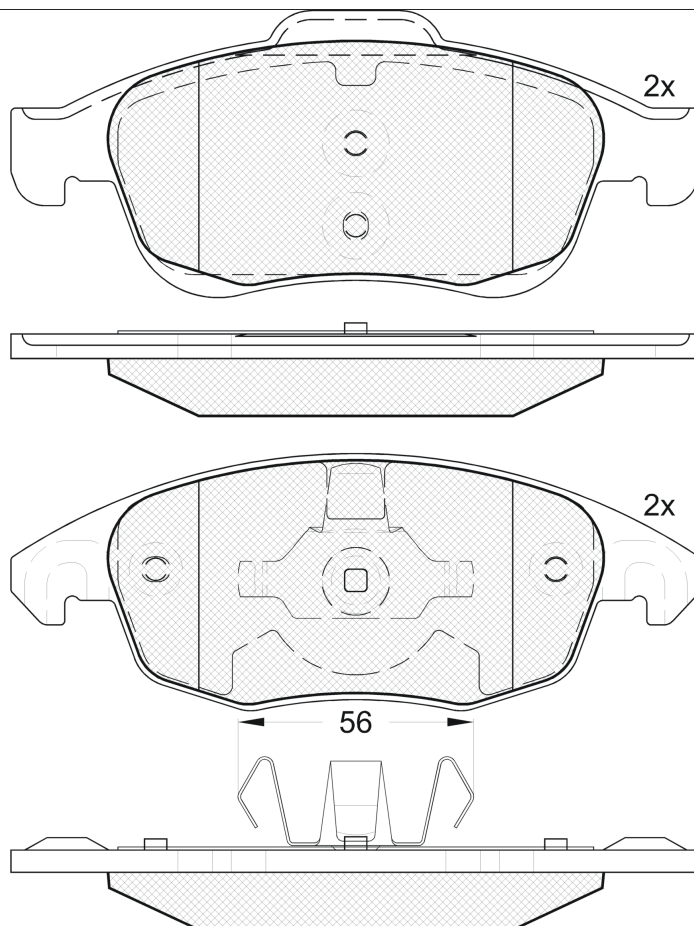
RB1852



Qty: 300

Weight: 1.738

O.E.M.	MAKE
16 118 385 80	DS
16 172 729 80	CITROËN
16 238 162 80	PEUGEOT
16 478 624 80	CITROËN
4253.61	CITROËN
4254.12	PEUGEOT
4254.13	CITROËN
4254.25	PEUGEOT
4254.C0	CITROËN
86 60 004 741	RENAULT
86 71 016 718	RENAULT
E172295	PEUGEOT



RB1852

E 9 90R-01111/1676



Ate - Teves

155.2x57.89x19.1

155.2x64.57x19.1

WVA	FMSI
24538	D1717-8942
24539	D2095-9330

Sin Filas



Trac.	CC	Kw	CV
-------	----	----	----



Front / Rear

CITROËN

BERLINGO II (B9) 04.08-

Caja/Chasis (LCVs-N1 Segment)

Modelo	Trac.	CC	Kw	CV	Año	Opciones
1.6 HDi 90 (9HF (DV6DTE))	Diesel	FWD	1560	66	90	07.10-12.18 *
1.6 HDi 90 16V (9HX (DV6ATED4))	Diesel	FWD	1560	66	90	04.08-12.18 *
1.6 HDi 92 (9HJ (DV6DTE))	Diesel	FWD	1560	68	92	07.10-12.17 *
1.6 BlueHdi 100 (BHY (DV6FD))	Diesel	FWD	1560	73	99	12.14-04.21 *

BERLINGO II (B9) 04.08-

Furgoneta/MPV (LCVs-N1 Segment)

Modelo	Trac.	CC	Kw	CV	Año	Opciones
PureTech 110 (HNZ (EB2DT))	Gasolina	FWD	1199	81	110	01.18-12.18 *
1.6 (NFR (TU5JP4B))	Gasolina	FWD	1587	66	90	04.08-12.18 *
1.6 (NFU (TU5JP4))	Gasolina	FWD	1587	80	109	04.08-12.18 *
1.6 VTi 95 (5FK (EP6CB))	Gasolina	FWD	1598	72	98	07.10-12.18 *
1.6 VTI 120 (5FS (EP6C))	Gasolina	FWD	1598	88	120	11.09-12.18 *
Electric (Y4F1)	Eléctrico	FWD		35	48	01.13- *
Electric (Y4F1)	Eléctrico	FWD		49	67	01.13-12.18 *
1.6 HDi / BlueHdi 75 (9HN (DV6ETED))	Diesel	FWD	1560	55	75	07.10-04.20 *
1.6 HDi / BlueHdi 75 (BHW (DV6FE))	Diesel	FWD	1560	55	75	07.10-04.20 *
1.6 HDi 75 (9HT (DV6BTED4))	Diesel	FWD	1560	55	75	04.08-12.18 *
1.6 HDi 75 (9HT (DV6BUTED4))	Diesel	FWD	1560	55	75	04.08-12.18 *
1.6 HDi 75 4x4 (9HN (DV6ETED))	Diesel	4WD	1560	55	75	02.12-12.18 *
1.6 HDi 90 (9HE (DV6DBM))	Diesel	FWD	1560	66	90	07.10-12.17 *
1.6 HDi 90 (9HF (DV6DTE))	Diesel	FWD	1560	66	90	07.10-12.17 *
1.6 HDi 90 16V (9HS (DV6TED4BU))	Diesel	FWD	1560	66	90	04.08-12.18 *
1.6 HDi 90 16V (9HX (DV6AUTED4))	Diesel	FWD	1560	66	90	04.08-12.18 *
1.6 HDi 90 4x4 (9HF (DV6DTE))	Diesel	4WD	1560	66	90	02.12-12.14 *
1.6 HDi 90 (9HJ (DV6DTE))	Diesel	FWD	1560	68	92	07.10-12.18 *

LISTA DE APLICACIONES - BUYERS GUIDE

1.6 HDi 90 (9HP (DV6DTE))		Diesel	FWD	1560	68	92	07.10-12.18	*
1.6 BlueHDi 100 (BHY (DV6FD))		Diesel	FWD	1560	73	99	12.14-04.21	*
1.6 BlueHDi 100 4x4 (BHY (DV6FD))		Diesel	4WD	1560	73	99	12.14-12.18	*
1.6 HDi 110 (9HZ (DV6TED4))		Diesel	FWD	1560	80	109	04.08-12.18	*
1.6 HDi 110 (9HL (DV6C))		Diesel	FWD	1560	82	112	07.10-12.18	*
1.6 HDi 110 (9HR (DV6C))		Diesel	FWD	1560	82	112	07.10-12.18	*
1.6 HDi 115 (9HL (DV6C))		Diesel	FWD	1560	84	114	07.10-12.18	*
1.6 HDi 115 4x4		Diesel	4WD	1560	84	114	02.12-12.18	*
1.6 BlueHDi 120 (BHZ (DV6FC))		Diesel	FWD	1560	88	120	12.14-08.18	*
BERLINGO II MULTISPACE (B9) 04.08-				MPV (Large MPV-M1 Segment)				
1.2 PureTech 110 (HNZ (EB2DT))		Gasolina	FWD	1199	81	110	03.16-12.18	*
1.4		Gasolina	FWD	1360	55	75	03.09-	*
1.6 (NFR (TU5JP4B))		Gasolina	FWD	1587	66	90	04.08-12.18	*
1.6 (NFU (TU5JP4))		Gasolina	FWD	1587	80	109	04.08-12.18	*
1.6 (NFU (TU5JP4))		Gasolina	FWD	1587	81	110	11.08-12.18	*
1.6 VTi 95 (5FK (EP6CB))		Gasolina	FWD	1598	72	98	07.10-12.18	*
1.6 VTI 120 (5FS (EP6C))		Gasolina	FWD	1598	88	120	11.09-12.18	*
Electric (Y4F1)		Eléctrico	FWD		49	67	09.17-12.18	*
1.6 HDi 75 / BlueHDi 75 (9HN (DV6ETED))		Diesel	FWD	1560	55	75	04.08-04.20	*
1.6 HDi 75 / BlueHDi 75 (BHW (DV6FE))		Diesel	FWD	1560	55	75	04.08-04.20	*
1.6 HDi 75 16V (9HT (DV6BTED4))		Diesel	FWD	1560	55	75	04.08-12.18	*
1.6 HDi 90 (9HV (DV6TED4B))		Diesel	FWD	1560	66	90	04.08-12.18	*
1.6 HDi 90 (9HX (DV6ATED4))		Diesel	FWD	1560	66	90	04.08-12.18	*
1.6 HDi 90 4x4 (9HF (DV6DTE))		Diesel	4WD	1560	66	90	02.12-12.14	*
1.6 HDi 90 (9HJ (DV6DTE))		Diesel	FWD	1560	68	92	07.10-12.18	*
1.6 HDi 90 (9HP (DV6DTE))		Diesel	FWD	1560	68	92	07.10-12.18	*
1.6 BlueHDi 100 (BHY (DV6FD))		Diesel	FWD	1560	73	99	12.14-04.21	*
1.6 HDi 110 (9HZ (DV6TED4))		Diesel	FWD	1560	80	109	04.08-12.18	*
1.6 HDi 110 (9HL (DV6C))		Diesel	FWD	1560	82	112	07.10-12.18	*
1.6 HDi 110 (9HR (DV6C))		Diesel	FWD	1560	82	112	07.10-12.18	*
1.6 HDi 115 (9HR (DV6C))		Diesel	FWD	1560	84	114	07.10-12.18	*
1.6 HDi 115 4x4 (9HR (DV6C))		Diesel	4WD	1560	84	114	02.12-12.18	*
1.6 BlueHDi 120 (BHZ (DV6FC))		Diesel	FWD	1560	88	120	12.14-08.18	*
BERLINGO III (K9) 06.18-				Furgoneta/MPV (LCVs-N1 Segment)				
PureTech 110 (HNP (EB2ADT))		Gasolina	FWD	1199	81	110	06.18-	*
BERLINGO / BERLINGO FIRST (M_) 07.96-12.11				Furgoneta/MPV (LCVs-N1 Segment)				
Electric		Eléctrico	FWD		42	57	01.10-12.10	*
BERLINGO / BERLINGO FIRST (MF_, GJK_, GFK_) 07.96-12.11				MPV (Large MPV-M1 Segment)				
1.6 HDi 90 (MF9HX) (9HX (DV6ATED4))		Diesel	FWD	1560	66	90	07.05-05.08	*
C4 II (NC_) 02.09-				[CAMBIADO]:Fastback (Compact car-C Segment)				
1.2 THP 130 (NCHNYM, NCHNYT) (HNY (EB2DTS))		Gasolina	FWD	1199	96	130	04.14-12.17	*
1.6 (NCNFU0)		Gasolina	FWD	1587	81	110	01.10-	*
1.6 Flex		Gasolina	FWD	1587	81	110	11.09-	*
1.6 Flex		Gasolina	FWD	1587	83	113	11.09-	*
1.6 VTi 120 (NC5FS0, NC5FS9) (5FS (EP6C))		Gasolina	FWD	1598	88	120	11.09-12.16	*
1.6 VTi 120 LPG (NC5FS0) (5FS (EP6C))		Gasol./Gas (LPG)	FWD	1598	88	120	09.11-	*
1.6 HDi 90 (9HJ (DV6DTE))		Diesel	FWD	1560	68	92	11.09-	*
1.6 HDi 90 (9HP (DV6DTE))		Diesel	FWD	1560	68	92	11.09-	*

LISTA DE APLICACIONES - BUYERS GUIDE

1.6 HDi 110 (9HR (DV6C))		Diesel	FWD	1560	82	112	11.09-	*
1.6 HDi 115 (9HD (DV6C))		Diesel	FWD	1560	84	114	07.12-	*
1.6 BlueHDi 115 (BHX (DV6FC))		Diesel	FWD	1560	85	115	01.13-05.15	*
1.6 BlueHDi 120 (BHZ (DV6FC))		Diesel	FWD	1560	88	120	02.15-05.18	*
C4 II (NC_) 11.09-					Furgón/hatchback (Compact car-C Segment)			
1.6 HDi (9HP (DV6DTE))		Diesel	FWD	1560	68	92	06.10-	*
1.6 HDi (9HR (DV6C))		Diesel	FWD	1560	82	111	11.09-	*
1.6 BlueHDi (BHZ (DV6FC))		Diesel	FWD	1560	88	120	02.15-	*
C4 II (NC_) 01.13-					Sedán (Compact car-C Segment)			
1.6 (NFP (EC5))		Gasolina	FWD	1587	85	116	01.13-	*
1.6 (5FS (EP6C))		Gasolina	FWD	1598	88	120	01.13-	*
1.6 Flex		Gasolina	FWD	1598	127	173	12.14-	*
2.0 16V		Gasolina	FWD	1997	105	143	09.13-	*
C4 II PICASSO (DD_) 01.13-					Furgoneta/MPV (Compact MPV-M1 Segment)			
e-HDi (DD9HC8, DD9HCT)		Diesel	FWD	1560	85	116	02.13-	*
C4 III (BA_, BB_, BC_) 10.20-					[CAMBIADO]:Fastback (Compact car-C Segment)			
1.2 PureTech 130 (BAHNSA, BAHNSB)		Gasolina	FWD	1199	96	131	10.20-	*
C4 Grand Picasso (UA_) 10.06-					MPV (Large MPV-M1 Segment)			
1.6 VTI 120 (5FW (EP6))		Gasolina	FWD	1598	88	120	07.08-08.13	*
1.8 i 16V (6FY (EW7A))		Gasolina	FWD	1749	92	125	10.06-12.10	*
1.8 i 16V Flex (6FY (EW7A))		Gasol./Etanol	FWD	1749	86	117	06.09-01.13	*
1.6 HDi 110		Gasol./eléc.	FWD	1560	82	112	09.10-	*
1.6 HDi (9HY (DV6TED4))		Diesel	FWD	1560	80	109	10.06-06.11	*
1.6 HDi (9HZ (DV6TED4))		Diesel	FWD	1560	80	109	10.06-06.11	*
1.6 HDi 110 (9HR (DV6C))		Diesel	FWD	1560	82	112	09.10-08.13	*
1.8 i 16V CNG		CNG	FWD	1749	86	117	03.09-12.11	*
C4 Picasso (UD_) 10.06-12.15					MPV (Compact MPV-M1 Segment)			
1.6 VTI 120 (5FW (EP6))		Gasolina	FWD	1598	88	120	07.08-08.13	*
1.8 i 16V (6FY (EW7A))		Gasolina	FWD	1749	92	125	02.07-12.11	*
1.8 Bifuel (6FY (EW7A))		Gasol./Etanol	FWD	1749	92	125	01.09-10.12	*
1.6 HDi 110		Gasol./eléc.	FWD	1560	82	112	09.10-	*
1.6 HDi (9HY (DV6TED4))		Diesel	FWD	1560	80	109	02.07-08.13	*
1.6 HDi (9HZ (DV6TED4))		Diesel	FWD	1560	80	109	02.07-08.13	*
1.6 HDi 110 (9HR (DV6C))		Diesel	FWD	1560	82	112	09.10-08.13	*
DS4 (NX_) 03.11-07.15					[CAMBIADO]:Fastback (Compact car-C Segment)			
1.2 THP 130 (HNY (EB2DTS))		Gasolina	FWD	1199	96	130	07.14-07.15	*
1.6 VTI 120 (5FS (EP6C))		Gasolina	FWD	1598	88	120	04.11-07.15	*
1.6 HDi 110		Diesel/eléc.	FWD	1560	81	110	04.11-07.15	*
1.6 HDi 90 (9HP (DV6DTE))		Diesel	FWD	1560	68	92	05.11-07.15	*
1.6 HDi 110 (9HR (DV6C))		Diesel	FWD	1560	82	112	04.11-07.15	*
1.6 HDi 115 (9HD (DV6C))		Diesel	FWD	1560	84	114	08.12-07.15	*
1.6 BlueHDi 115 (BHX (DV6FC))		Diesel	FWD	1560	85	115	07.14-07.15	*
1.6 BlueHDi 120 (BHZ (DV6FC))		Diesel	FWD	1560	88	120	07.14-07.15	*
DS5 09.11-12.16					[CAMBIADO]:Fastback (Compact executive car-D Segment)			
1.6 HDi 115 (9HD (DV6C))		Diesel	FWD	1560	84	114	06.12-07.15	*

LISTA DE APLICACIONES - BUYERS GUIDE

1.6 HDi (BHX (DV6FC))	Diesel	FWD	1560	85	115	11.13-07.15	*
DS							
DS 4 / DS 4 CROSSBACK (NX_) 07.15-				[CAMBIADO]:Fastback (Compact car-C Segment)			
1.2 THP 130 (NXHNYM) (HNY (EB2DTS))	Gasolina	FWD	1199	96	130	07.15-12.18	*
1.6 BlueHDi 100 (BHY (DV6FD))	Diesel	FWD	1560	73	99	04.16-12.18	*
1.6 BlueHDi 115 (BHX (DV6FC))	Diesel	FWD	1560	85	116	07.15-12.18	*
1.6 BlueHDi 120 (BHZ (DV6FC))	Diesel	FWD	1560	88	120	07.15-12.18	*
2.0 BlueHDi 150 (AHR (DW10FD))	Diesel	FWD	1997	110	150	07.15-12.18	*
DS 5 (KF_) 01.15-12.18				[CAMBIADO]:Fastback (Compact executive car-D Segment)			
1.6 BlueHDi 115 (BHX (DV6C))	Diesel	FWD	1560	85	116	06.15-12.18	*
PEUGEOT							
5008 (OU_) 06.09-03.17				Furgoneta/MPV (Compact MPV-M1 Segment)			
HDi (OU9HR8)	Diesel	FWD	1560	82	111	08.10-03.17	*
HDi / e-HDi (OU9HD8, OU9HDA)	Diesel	FWD	1560	84	114	03.13-03.17	*
5008 (OU_, OE_) 06.09-				MPV (Compact MPV-M1 Segment)			
1.6 16V (5FS (EP6C))	Gasolina	FWD	1598	88	120	09.09-03.17	*
1.6 16V (5FW (EP6))	Gasolina	FWD	1598	88	120	09.09-03.17	*
1.6 16V (EP6)	Gasolina	FWD	1598	88	120	09.09-03.17	*
1.6 HDi (9HZ (DV6TED4))	Diesel	FWD	1560	80	110	09.09-03.17	*
1.6 HDi (9HR (DV6C))	Diesel	FWD	1560	82	112	08.10-03.17	*
1.6 HDi (9HD (DV6C))	Diesel	FWD	1560	84	114	03.13-03.17	*
PARTNER II 01.09-				Caja/Chasis (LCVs-N1 Segment)			
1.6 HDi (9HT (DV6BTED4))	Diesel	FWD	1560	55	75	01.09-	*
1.6 HDi (9HF (DV6DTED))	Diesel	FWD	1560	66	90	03.13-	*
1.6 HDi 16V (9HS (DV6TED4BU))	Diesel	FWD	1560	66	90	01.09-	*
1.6 HDi 16V (9HX (DV6ATED4))	Diesel	FWD	1560	66	90	01.09-	*
1.6 BlueHDi 100 (BHY (DV6FD))	Diesel	FWD	1560	73	100	04.15-	*
PARTNER II / GRAND RAID / RANCH 04.08-				Furgoneta/MPV (LCVs-N1 Segment)			
1.2 THP (HNZ (EB2DT))	Gasolina	FWD	1199	81	110	02.16-	*
1.4 i	Gasolina	FWD	1395	55	75	04.08-	*
1.6 (NFR (TU5JP4B))	Gasolina	FWD	1587	66	90	04.08-	*
1.6 (NFU (TU5JP4))	Gasolina	FWD	1587	80	109	04.08-	*
1.6 Flex	Gasolina	FWD	1587	81	110	09.08-	*
1.6 Flex	Gasolina	FWD	1587	83	113	07.10-	*
1.6 (5FK (EP6CB))	Gasolina	FWD	1598	72	98	11.10-	*
1.6 (5FS (EP6C))	Gasolina	FWD	1598	88	120	04.10-	*
Électrique	Eléctrico	FWD		49	67	06.13-	*
1.6 HDi (9HT (DV6BTED4))	Diesel	FWD	1560	55	75	04.08-	*
1.6 HDi (9HT (DV6BUTED4))	Diesel	FWD	1560	55	75	04.08-	*
1.6 HDi (9HW (DV6BTED4))	Diesel	FWD	1560	55	75	04.08-	*
1.6 HDi / BlueHDi 75 (9HK (DV6ETEDM))	Diesel	FWD	1560	55	75	07.11-	*
1.6 HDi / BlueHDi 75 (9HN (DV6ETED))	Diesel	FWD	1560	55	75	07.11-	*
1.6 HDi / BlueHDi 75 (BHW (DV6FE))	Diesel	FWD	1560	55	75	07.11-	*
1.6 HDi (9HF (DV6DTED))	Diesel	FWD	1560	66	90	12.11-	*
1.6 HDi 16V (9HS (DV6TED4BU))	Diesel	FWD	1560	66	90	04.08-	*
1.6 HDi 16V (9HX (DV6AUTED4))	Diesel	FWD	1560	66	90	04.08-	*
1.6 HDi 16V 4x4 (9HS (DV6TED4BU))	Diesel	4WD	1560	66	90	09.09-	*
1.6 HDi 16V 4x4 (9HX (DV6ATED4))	Diesel	4WD	1560	66	90	09.09-	*

LISTA DE APLICACIONES - BUYERS GUIDE

1.6 HDi 16V 4x4 (9HX (DV6AUTED4))	Diesel	4WD	1560	66	90	09.09-	*
1.6 HDi	Diesel	FWD	1560	67	91	09.09-	*
1.6 HDi 16V (9HX (DV6ATED4))	Diesel	FWD	1560	68	92	04.10-	*
1.6 HDi 90 (9HJ (DV6DTEDE))	Diesel	FWD	1560	68	92	04.10-	*
1.6 HDi 90 (9HP (DV6DTEDE))	Diesel	FWD	1560	68	92	04.10-	*
1.6 BlueHdi 100 (BHY (DV6FD))	Diesel	FWD	1560	73	100	04.15-	*
1.6 HDi (9HZ (DV6TED4))	Diesel	FWD	1560	80	109	04.08-	*
1.6 HDi	Diesel	FWD	1560	82	112	08.10-	*
1.6 HDi (9HL (DV6C))	Diesel	FWD	1560	82	111	08.10-	*
1.6 HDi (9HL (DV6C))	Diesel	FWD	1560	84	114	03.13-	*
1.6 BlueHdi 120 (BHZ (DV6FC))	Diesel	FWD	1560	88	120	04.15-	*
PARTNER II ORIGIN (G_) 07.08-12.15				Furgoneta/MPV (LCVs-N1 Segment)			
1.4 (KFW (TU3JP))	Gasolina	FWD	1360	55	75	08.08-12.15	*
1.6 (NFU (TU5JP4))	Gasolina	FWD	1587	81	110	09.11-12.15	*
Electric (MD200175)	Eléctrico	FWD		42	57	01.11-12.12	*
1.6 HDi 75 (9HW (DV6BTED4))	Diesel	FWD	1560	55	75	08.08-12.15	*
1.6 HDi 90 (9HX (DV6ATED4))	Diesel	FWD	1560	66	90	08.08-12.15	*
PARTNER II ORIGIN (G_) 07.08-12.13				MPV (Compact MPV-M1 Segment)			
1.4 (KFW (TU3JP))	Gasolina	FWD	1360	55	75	07.08-12.13	*
1.6 16V (NFU (TU5JP4))	Gasolina	FWD	1587	81	110	09.11-12.13	*
1.6 HDi 75 (9HW (DV6BTED4))	Diesel	FWD	1560	55	75	08.08-12.13	*
PARTNER II Tepee / GRAND RAID / RANCH 04.08-				MPV (Compact MPV-M1 Segment)			
1.2 THP (HNV (EB2DTM))	Gasolina	FWD	1199	81	110	02.16-	*
1.2 THP (HNZ (EB2DT))	Gasolina	FWD	1199	81	110	02.16-	*
1.6 VTi (NFR (TU5JP4B))	Gasolina	FWD	1587	66	90	04.08-	*
1.6	Gasolina	FWD	1587	78	106	04.08-	*
1.6 VTi (NFU (TU5JP4))	Gasolina	FWD	1587	80	109	04.08-	*
1.6 Flex	Gasolina	FWD	1587	81	110	09.08-	*
1.6 VTi (NFU (TU5JP4))	Gasolina	FWD	1587	81	110	09.08-	*
1.6 VTi (5FK (EP6CB))	Gasolina	FWD	1598	72	98	08.10-	*
1.6	Gasolina	FWD	1598	81	110	09.08-	*
1.6 VTi (5FS (EP6C))	Gasolina	FWD	1598	88	120	09.09-04.16	*
Électrique (Y4F1)	Eléctrico	FWD		49	67	06.13-	*
1.6 HDi	Diesel	FWD	1560	55	75	04.08-	*
1.6 HDi / BlueHdi 75 (9HK (DV6ETEDM))	Diesel	FWD	1560	55	75	06.08-12.18	*
1.6 HDi / BlueHdi 75 (9HN (DV6ETED))	Diesel	FWD	1560	55	75	06.08-12.18	*
1.6 HDi / BlueHdi 75 (BHW (DV6FE))	Diesel	FWD	1560	55	75	06.08-12.18	*
1.6 HDi 75 (16V) (9HT (DV6BTED4))	Diesel	FWD	1560	55	75	06.08-	*
1.6 HDi (9HF (DV6DTEDE))	Diesel	FWD	1560	66	90	03.13-	*
1.6 HDi 16V (9HV (DV6TED4B))	Diesel	FWD	1560	66	90	04.08-	*
1.6 HDi 16V (9HV (DV6TED4BU))	Diesel	FWD	1560	66	90	04.08-	*
1.6 HDi 16V	Diesel	FWD	1560	68	92	04.10-	*
1.6 HDi 90 (9HJ (DV6DTEDE))	Diesel	FWD	1560	68	92	04.10-	*
1.6 HDi 90 (9HP (DV6DTEDE))	Diesel	FWD	1560	68	92	04.10-	*
1.6 HDi 90 4x4	Diesel	4WD	1560	68	92	07.12-	*
1.6 BlueHdi 100 (BHY (DV6FD))	Diesel	FWD	1560	73	100	12.14-	*
1.6 BlueHdi 100 4x4 (BHY (DV6FD))	Diesel	4WD	1560	73	100	04.15-	*
1.6 HDi (9HZ (DV6TED4))	Diesel	FWD	1560	80	109	04.08-	*
1.6 HDi (9HL (DV6C))	Diesel	FWD	1560	82	112	08.10-	*
1.6 HDi (9HL (DV6C))	Diesel	FWD	1560	84	114	03.13-	*

LISTA DE APLICACIONES - BUYERS GUIDE

1.6 BlueHdi 120 (BHZ (DV6FC))	Diesel	FWD	1560	88	120	12.14-	*
RENAULT							
CLIO III (SB_, SR_) 06.05-				Furgón/hatchback (LCVs-N1 Segment)			
1.5 dCi	Diesel	FWD	1461	55	75	08.10-12.14	*