

LISTA DE APLICACIONES - BUYERS GUIDE

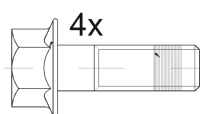
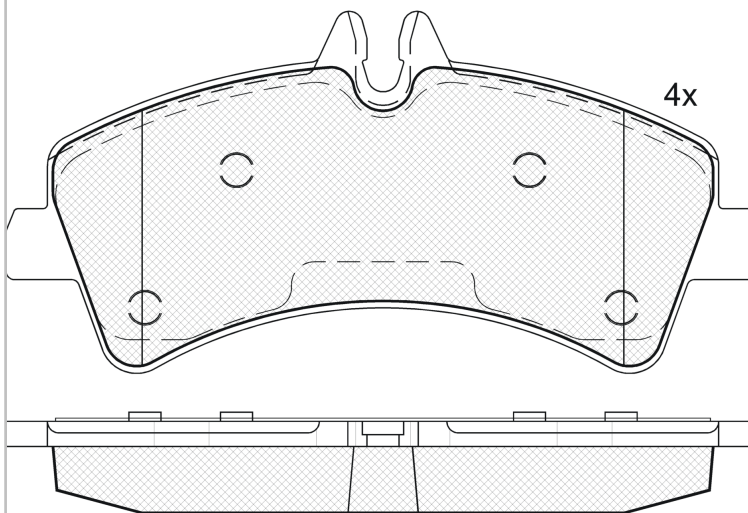
RB1849



Qty: 300

Weight: 2.555

O.E.M.	MAKE
004 420 81 20	MERCEDES-BENZ
005 420 74 20	MERCEDES-BENZ
006 420 22 20	MERCEDES-BENZ
006 420 45 20	MERCEDES-BENZ
04862603AA	DODGE
2E0 698 451 A	VW
2E0 698 451 B	VW
2E0 698 451 G	VW
542 074 20 28	MERCEDES-BENZ



2-Ref. 690174 E

RB1849

E 9 90R-01111/2444



Bosch

164.9x79.08x20.7

WVA	FMSI
29217	D1318-8432

Sin Filas



Trac.	CC	Kw	CV		
					Front / Rear

DODGE

SPRINTER (U.S.A.) 01.03-				[CAMBIADO]:Furgón (LCVs-N1 Segment)			
5.7 3500	Gasolina	FWD	5695	243	330	01.03-	*

FREIGHTLINER

SPRINTER 3500 09.06-				[CAMBIADO]:Furgón (LCVs-N1 Segment)			
2.1 CDI	Diesel	RWD	2143	120	163	09.13-	*

MERCEDES-BENZ

SPRINTER II 3-Ton. (B906) 06.06-				Caja/Chasis (LCVs-N1 Segment)			
213 CDI (906.111, 906.113, 906.211, 906.213) (OM 651.955)	Diesel	RWD	2143	95	129	03.09-12.16	*
213 CDI (906.111, 906.113, 906.211, 906.213) (OM 651.957)	Diesel	RWD	2143	95	129	03.09-12.16	*
SPRINTER II 3.5-Ton. (B906) 06.06-				[CAMBIADO]:Furgón (LCVs-N1 Segment)			
313 CDI (906.631, 906.633, 906.635, 906.637) (OM 651.940)	Diesel	RWD	2143	95	129	05.09-12.16	*
313 CDI (906.631, 906.633, 906.635, 906.637) (OM 651.955)	Diesel	RWD	2143	95	129	05.09-12.16	*
316 CDI (906.631, 906.633, 906.635, 906.637) (OM 651.955)	Diesel	RWD	2143	120	163	03.09-12.18	*
316 CDI (906.631, 906.633, 906.635, 906.637) (OM 651.957)	Diesel	RWD	2143	120	163	03.09-12.18	*
319 CDI / BlueTEC (906.631, 906.633, 906.635, 906.637) (OM 642.896)	Diesel	RWD	2987	140	190	03.09-12.18	*
319 CDI / BlueTEC (906.631, 906.633, 906.635, 906.637) (OM 642.898)	Diesel	RWD	2987	140	190	03.09-12.18	*
319 CDI / BlueTEC (906.631, 906.633, 906.635, 906.637) (OM 642.986)	Diesel	RWD	2987	140	190	03.09-12.18	*
319 CDI / BlueTEC (906.631, 906.633, 906.635, 906.637) (OM 642.992)	Diesel	RWD	2987	140	190	03.09-12.18	*

LISTA DE APLICACIONES - BUYERS GUIDE

SPRINTER II 3.5-Ton. (B906) 06.06-					Caja/Chasis (LCVs-N1 Segment)			
319 CDI / BlueTEC (906.131, 906.133, 906.135, 906.231,... (OM 642.896)	Diesel	RWD	2987	140	190	03.09-12.18	*	
319 CDI / BlueTEC (906.131, 906.133, 906.135, 906.231,... (OM 642.898)	Diesel	RWD	2987	140	190	03.09-12.18	*	
319 CDI / BlueTEC (906.131, 906.133, 906.135, 906.231,... (OM 642.992)	Diesel	RWD	2987	140	190	03.09-12.18	*	
SPRINTER II 4,6-Ton. (B906) 06.06-					[CAMBIADO]:Furgón (LCVs-N1 Segment)			
424 (906.655, 906.657, 906.653) (M 272.979)	Gasolina	RWD	3498	190	258	06.06-12.16	*	
411 CDI (906.653, 906.655, 906.657)	Diesel	RWD	2143	84	114	04.16-12.18	*	
413 CDI (906.653, 906.655, 906.657) (OM 651.955)	Diesel	RWD	2143	95	129	06.06-12.16	*	
413 CDI (906.653, 906.655, 906.657) (OM 651.956)	Diesel	RWD	2143	95	129	06.06-12.16	*	
414 CDI (906.653, 906.655, 906.657) (OM 651.955)	Diesel	RWD	2143	105	143	05.16-12.18	*	
414 CDI 4x4 (906.653, 906.655, 906.657) (OM 651.955)	Diesel	4WD	2143	105	143	05.16-12.18	*	
416 CDI (906.653, 906.655, 906.657, 906.633, 906.635,... (OM 651.955)	Diesel	RWD	2143	120	163	03.09-12.18	*	
416 CDI (906.653, 906.655, 906.657, 906.633, 906.635,... (OM 651.957)	Diesel	RWD	2143	120	163	03.09-12.18	*	
416 CDI 4x4 (906.655, 906.657) (OM 651.955)	Diesel	4WD	2143	120	163	11.13-12.18	*	
416 CDI 4x4 (906.655, 906.657) (OM 651.957)	Diesel	4WD	2143	120	163	11.13-12.18	*	
411 CDI (906.653, 906.655, 906.657) (OM 646.985)	Diesel	RWD	2148	80	109	06.09-12.18	*	
413 CDI (906.653, 906.655, 906.657)	Diesel	RWD	2148	95	129	06.06-05.16	*	
415 CDI (906.653, 906.655, 906.657) (OM 646.986)	Diesel	RWD	2148	110	150	06.09-12.09	*	
415 CDI (906.653, 906.655, 906.657) (OM 646.989)	Diesel	RWD	2148	110	150	06.09-12.09	*	
415 CDI (906.653, 906.655, 906.657) (OM 646.990)	Diesel	RWD	2148	110	150	06.09-12.09	*	
418 CDI (906.653, 906.655, 906.657) (OM 642.896)	Diesel	RWD	2987	135	184	06.09-05.16	*	
418 CDI (906.653, 906.655, 906.657) (OM 642.986)	Diesel	RWD	2987	135	184	06.09-05.16	*	
418 CDI (906.653, 906.655, 906.657) (OM 642.992)	Diesel	RWD	2987	135	184	06.09-05.16	*	
419 CDI (906.653, 906.655, 906.657) (OM 642.896)	Diesel	RWD	2987	140	190	03.09-12.18	*	
419 CDI (906.653, 906.655, 906.657) (OM 642.992)	Diesel	RWD	2987	140	190	03.09-12.18	*	
SPRINTER II 4,6-Ton. (B906) 06.06-					Caja/Chasis (LCVs-N1 Segment)			
424 (906.153, 906.155, 906.253, 906.255) (M 272.979)	Gasolina	RWD	3498	190	258	06.06-12.16	*	
411 CDI (906.153, 906.155, 906.253, 906.255) (OM 651.955)	Diesel	RWD	2143	84	114	04.16-12.18	*	
413 CDI (906.153, 906.155, 906.253, 906.255) (OM 651.955)	Diesel	RWD	2143	95	129	06.06-12.16	*	
414 CDI (906.153, 906.155, 906.253, 906.255)	Diesel	RWD	2143	105	143	05.16-12.18	*	
416 CDI (906.153, 906.155, 906.253, 906.255) (OM 651.955)	Diesel	RWD	2143	120	163	03.09-12.18	*	
416 CDI (906.153, 906.155, 906.253, 906.255) (OM 651.957)	Diesel	RWD	2143	120	163	03.09-12.18	*	
411 CDI (906.153, 906.155, 906.253, 906.255) (OM 646.985)	Diesel	RWD	2148	80	109	06.09-12.18	*	
413 CDI (906.153, 906.155, 906.253, 906.255)	Diesel	RWD	2148	95	129	06.06-05.16	*	
415 CDI (906.153, 906.155, 906.253, 906.255) (OM 646.986)	Diesel	RWD	2148	110	150	06.06-12.09	*	
415 CDI (906.153, 906.155, 906.253, 906.255) (OM 646.989)	Diesel	RWD	2148	110	150	06.06-12.09	*	
415 CDI (906.153, 906.155, 906.253, 906.255) (OM 646.990)	Diesel	RWD	2148	110	150	06.06-12.09	*	
418 CDI (906.153, 906.155, 906.253, 906.255) (OM 642.896)	Diesel	RWD	2987	135	184	06.06-12.09	*	
418 CDI (906.153, 906.155, 906.253, 906.255) (OM 642.986)	Diesel	RWD	2987	135	184	06.06-12.09	*	
418 CDI (906.153, 906.155, 906.253, 906.255) (OM 642.992)	Diesel	RWD	2987	135	184	06.06-12.09	*	
418 CDI (906.153, 906.155, 906.253, 906.255) (OM 642.993)	Diesel	RWD	2987	135	184	06.06-12.09	*	

LISTA DE APLICACIONES - BUYERS GUIDE

419 CDI (906.153, 906.155, 906.253, 906.255) (OM 642.896)	Diesel	RWD	2987	140	190	03.09-12.18	*
419 CDI (906.153, 906.155, 906.253, 906.255) (OM 642.898)	Diesel	RWD	2987	140	190	03.09-12.18	*
419 CDI (906.153, 906.155, 906.253, 906.255) (OM 642.986)	Diesel	RWD	2987	140	190	03.09-12.18	*
419 CDI (906.153, 906.155, 906.253, 906.255) (OM 642.992)	Diesel	RWD	2987	140	190	03.09-12.18	*
SPRINTER II 5-Ton. (B906) 06.06-				[CAMBIADO]:Furgón (LCVs-N1 Segment)			
516 (906.655) (M 271.951)	Gasolina	RWD	1796	115	156	03.09-12.18	*
524 (906.653, 906.655, 906.657) (M 272.979)	Gasolina	RWD	3498	190	258	06.06-12.16	*
516 NGT (906.655)	Gasol./Gas (CNG)	RWD	1796	115	156	03.09-12.18	*
510 CDI (906.653, 906.655, 906.657) (OM 651.955)	Diesel	RWD	2143	70	95	03.09-12.16	*
511 CDI (906.653, 906.655, 906.657) (OM 651.955)	Diesel	RWD	2143	84	114	05.16-12.18	*
513 CDI (906.653, 906.655, 906.657) (OM 651.955)	Diesel	RWD	2143	95	129	06.06-12.16	*
513 CDI (906.653, 906.655, 906.657) (OM 651.957)	Diesel	RWD	2143	95	129	06.06-12.16	*
513 CDI 4x4 (906.653, 906.655, 906.657) (OM 651.955)	Diesel	4WD	2143	95	129	03.09-12.16	*
513 CDI 4x4 (906.653, 906.655, 906.657) (OM 651.957)	Diesel	4WD	2143	95	129	03.09-12.16	*
514 CDI (906.653, 906.655, 906.657) (OM 651.955)	Diesel	RWD	2143	105	143	05.16-12.18	*
514 CDI 4x4 (906.653, 906.655, 906.657) (OM 651.955)	Diesel	4WD	2143	105	143	05.16-12.18	*
516 CDI (906.653, 906.655, 906.657) (OM 651.955)	Diesel	RWD	2143	120	163	03.09-12.18	*
516 CDI (906.653, 906.655, 906.657) (OM 651.957)	Diesel	RWD	2143	120	163	03.09-12.18	*
516 CDI 4x4 (906.653, 906.655, 906.657) (OM 651.955)	Diesel	4WD	2143	120	163	03.09-12.18	*
516 CDI 4x4 (906.653, 906.655, 906.657) (OM 651.957)	Diesel	4WD	2143	120	163	03.09-12.18	*
509 CDI (906.653, 906.655, 906.657) (OM 646.984)	Diesel	RWD	2148	65	88	06.06-12.09	*
511 CDI (906.653, 906.655, 906.657) (OM 646.985)	Diesel	RWD	2148	80	109	06.06-12.09	*
511 CDI 4x4 (906.653, 906.655, 906.657) (OM 646.985)	Diesel	4WD	2148	80	109	06.06-12.09	*
513 CDI (906.653, 906.655, 906.657) (OM 646.986)	Diesel	RWD	2148	95	129	03.09-05.16	*
515 CDI (906.653, 906.655, 906.657) (OM 646.986)	Diesel	RWD	2148	110	150	06.06-12.09	*
515 CDI (906.653, 906.655, 906.657) (OM 646.989)	Diesel	RWD	2148	110	150	06.06-12.09	*
515 CDI (906.653, 906.655, 906.657) (OM 646.990)	Diesel	RWD	2148	110	150	06.06-12.09	*
515 CDI 4x4 (906.653, 906.655, 906.657) (OM 646.986)	Diesel	4WD	2148	110	150	06.06-12.09	*
515 CDI 4x4 (906.653, 906.655, 906.657) (OM 646.989)	Diesel	4WD	2148	110	150	06.06-12.09	*
515 CDI 4x4 (906.653, 906.655, 906.657) (OM 646.990)	Diesel	4WD	2148	110	150	06.06-12.09	*
518 CDI (906.653, 906.655, 906.657) (OM 642.896)	Diesel	RWD	2987	135	184	06.06-12.09	*
518 CDI (906.653, 906.655, 906.657) (OM 642.986)	Diesel	RWD	2987	135	184	06.06-12.09	*
518 CDI (906.653, 906.655, 906.657) (OM 642.992)	Diesel	RWD	2987	135	184	06.06-12.09	*
518 CDI (906.653, 906.655, 906.657) (OM 642.993)	Diesel	RWD	2987	135	184	06.06-12.09	*
518 CDI 4x4 (906.653, 906.655, 906.657) (OM 642.896)	Diesel	4WD	2987	135	184	06.06-12.16	*
518 CDI 4x4 (906.653, 906.655, 906.657) (OM 642.986)	Diesel	4WD	2987	135	184	06.06-12.16	*
518 CDI 4x4 (906.653, 906.655, 906.657) (OM 642.992)	Diesel	4WD	2987	135	184	06.06-12.16	*
518 CDI 4x4 (906.653, 906.655, 906.657) (OM 642.993)	Diesel	4WD	2987	135	184	06.06-12.16	*
519 CDI / BlueTEC (906.653, 906.655, 906.657) (OM 642.896)	Diesel	RWD	2987	140	190	03.09-12.18	*
519 CDI / BlueTEC (906.653, 906.655, 906.657) (OM 642.898)	Diesel	RWD	2987	140	190	03.09-12.18	*
519 CDI / BlueTEC (906.653, 906.655, 906.657) (OM 642.986)	Diesel	RWD	2987	140	190	03.09-12.18	*

LISTA DE APLICACIONES - BUYERS GUIDE

519 CDI / BlueTEC (906.653, 906.655, 906.657) (OM 642.992)	Diesel	RWD	2987	140	190	03.09-12.18	*
519 CDI / BlueTEC 4x4 (906.653, 906.655, 906.657) (OM 642.896)	Diesel	4WD	2987	140	190	03.09-12.18	*
519 CDI / BlueTEC 4x4 (906.653, 906.655, 906.657) (OM 642.898)	Diesel	4WD	2987	140	190	03.09-12.18	*
519 CDI / BlueTEC 4x4 (906.653, 906.655, 906.657) (OM 642.986)	Diesel	4WD	2987	140	190	03.09-12.18	*
519 CDI / BlueTEC 4x4 (906.653, 906.655, 906.657) (OM 642.992)	Diesel	4WD	2987	140	190	03.09-12.18	*
SPRINTER II 5-Ton. (B906) 06.06-				Bus (Minibus-M2-Segment)			
513 CDI (906.655, 906.657) (OM 651.955)	Diesel	RWD	2143	95	129	03.09-12.16	*
516 CDI (906.655, 906.657) (OM 651.955)	Diesel	RWD	2143	120	163	03.09-12.18	*
519 CDI (906.655, 906.657) (OM 642.896)	Diesel	RWD	2987	140	190	03.09-12.18	*
SPRINTER II 5-Ton. (B906) 06.06-				Caja/Chasis (LCVs-N1 Segment)			
516 (906.153, 906.155, 906.253, 906.255) (M 271.951)	Gasolina	RWD	1796	115	156	09.08-12.18	*
516 NGT	Gasolina	FWD	1796	115	156	09.08-	*
524 (906.153, 906.155, 906.253, 906.255) (M 272.979)	Gasolina	RWD	3498	190	258	06.06-12.16	*
516 NGT (906.153, 906.155, 906.253, 906.255) (M 271.951)	Gasol./Gas (CNG)	RWD	1796	115	156	09.08-12.18	*
510 CDI (906.153, 906.155, 906.253, 906.255) (OM 651.955)	Diesel	RWD	2143	70	95	03.09-12.16	*
511 CDI (906.153, 906.155, 906.253, 906.255) (OM 651.955)	Diesel	RWD	2143	84	114	05.16-12.18	*
513 CDI (906.155, 906.253, 906.255, 906.153) (OM 651.955)	Diesel	RWD	2143	95	129	06.06-12.16	*
513 CDI (906.155, 906.253, 906.255, 906.153) (OM 651.957)	Diesel	RWD	2143	95	129	06.06-12.16	*
513 CDI 4x4 (906.155, 906.253, 906.255, 906.153) (OM 651.955)	Diesel	4WD	2143	95	129	05.11-12.16	*
513 CDI 4x4 (906.155, 906.253, 906.255, 906.153) (OM 651.957)	Diesel	4WD	2143	95	129	05.11-12.16	*
514 CDI (906.153, 906.155, 906.253, 906.255) (OM 651.955)	Diesel	RWD	2143	105	143	05.16-12.18	*
514 CDI 4x4 (906.153, 906.155, 906.253, 906.255) (OM 651.955)	Diesel	4WD	2143	105	143	05.16-12.18	*
516 CDI (906.153, 906.155, 906.253, 906.255) (OM 651.955)	Diesel	RWD	2143	120	163	03.09-12.18	*
516 CDI (906.153, 906.155, 906.253, 906.255) (OM 651.957)	Diesel	RWD	2143	120	163	03.09-12.18	*
516 CDI 4x4 (906.153, 906.155, 906.255, 906.253) (OM 651.955)	Diesel	4WD	2143	120	163	03.09-12.18	*
516 CDI 4x4 (906.153, 906.155, 906.255, 906.253) (OM 651.957)	Diesel	4WD	2143	120	163	03.09-12.18	*
509 CDI (906.153, 906.155, 906.253, 906.255) (OM 646.984)	Diesel	RWD	2148	65	88	06.06-12.09	*
511 CDI (906.153, 906.155, 906.253, 906.255) (OM 646.985)	Diesel	RWD	2148	80	109	06.06-12.09	*
511 CDI 4x4 (906.155, 906.253, 906.255) (OM 646.985)	Diesel	4WD	2148	80	109	06.06-12.09	*
513 CDI (906.155, 906.253, 906.255, 906.153) (OM 646.986)	Diesel	RWD	2148	95	129	03.09-05.16	*
515 CDI (906.153, 906.155, 906.253, 906.255) (OM 646.986)	Diesel	RWD	2148	110	150	06.06-12.19	*
515 CDI (906.153, 906.155, 906.253, 906.255) (OM 646.989)	Diesel	RWD	2148	110	150	06.06-12.19	*
515 CDI (906.153, 906.155, 906.253, 906.255) (OM 646.990)	Diesel	RWD	2148	110	150	06.06-12.19	*
515 CDI 4x4 (906.153, 906.155, 906.253, 906.255) (OM 646.986)	Diesel	4WD	2148	110	150	06.06-12.09	*
515 CDI 4x4 (906.153, 906.155, 906.253, 906.255) (OM 646.989)	Diesel	4WD	2148	110	150	06.06-12.09	*
515 CDI 4x4 (906.153, 906.155, 906.253, 906.255) (OM 646.990)	Diesel	4WD	2148	110	150	06.06-12.09	*

LISTA DE APLICACIONES - BUYERS GUIDE

518 CDI (906.153, 906.155, 906.253, 906.255) (OM 642.896)	Diesel	RWD	2987	135	184	06.06-12.09	*
518 CDI (906.153, 906.155, 906.253, 906.255) (OM 642.986)	Diesel	RWD	2987	135	184	06.06-12.09	*
518 CDI (906.153, 906.155, 906.253, 906.255) (OM 642.992)	Diesel	RWD	2987	135	184	06.06-12.09	*
518 CDI (906.153, 906.155, 906.253, 906.255) (OM 642.993)	Diesel	RWD	2987	135	184	06.06-12.09	*
518 CDI 4x4 (906.153, 906.155, 906.253, 906.255) (OM 642.896)	Diesel	4WD	2987	135	184	06.06-12.09	*
518 CDI 4x4 (906.153, 906.155, 906.253, 906.255) (OM 642.986)	Diesel	4WD	2987	135	184	06.06-12.09	*
518 CDI 4x4 (906.153, 906.155, 906.253, 906.255) (OM 642.992)	Diesel	4WD	2987	135	184	06.06-12.09	*
518 CDI 4x4 (906.153, 906.155, 906.253, 906.255) (OM 642.993)	Diesel	4WD	2987	135	184	06.06-12.09	*
519 CDI / BlueTEC (906.153, 906.155, 906.253, 906.255) (OM 642.896)	Diesel	RWD	2987	140	190	03.09-12.18	*
519 CDI / BlueTEC (906.153, 906.155, 906.253, 906.255) (OM 642.898)	Diesel	RWD	2987	140	190	03.09-12.18	*
519 CDI / BlueTEC (906.153, 906.155, 906.253, 906.255) (OM 642.986)	Diesel	RWD	2987	140	190	03.09-12.18	*
519 CDI / BlueTEC (906.153, 906.155, 906.253, 906.255) (OM 642.992)	Diesel	RWD	2987	140	190	03.09-12.18	*
519 CDI / BlueTEC 4x4 (906.653, 906.655, 906.657) (OM 642.896)	Diesel	4WD	2987	140	190	03.09-12.18	*
519 CDI / BlueTEC 4x4 (906.653, 906.655, 906.657) (OM 642.898)	Diesel	4WD	2987	140	190	03.09-12.18	*
519 CDI / BlueTEC 4x4 (906.653, 906.655, 906.657) (OM 642.986)	Diesel	4WD	2987	140	190	03.09-12.18	*
519 CDI / BlueTEC 4x4 (906.653, 906.655, 906.657) (OM 642.992)	Diesel	4WD	2987	140	190	03.09-12.18	*
VW							
CRAFTER 30-35 (2E_) 04.06-12.16				Bus (Minibus-M2-Segment)			
2.0 TDI (CKTB)	Diesel	RWD	1968	80	109	05.11-12.16	*
2.0 TDI (CSLA)	Diesel	RWD	1968	80	109	05.11-12.16	*
2.0 TDI (CSLB)	Diesel	RWD	1968	84	114	11.13-12.16	*
2.0 TDI (CKTC)	Diesel	RWD	1968	100	136	05.11-12.16	*
2.0 TDI (CKUC)	Diesel	RWD	1968	105	142	10.11-12.16	*
2.0 TDI (CKUB)	Diesel	RWD	1968	120	163	07.11-12.16	*
2.0 TDI (CSNA)	Diesel	RWD	1968	120	163	07.11-12.16	*
2.0 TDI 4motion (CKUB)	Diesel	4WD	1968	120	163	11.11-12.16	*
2.0 TDI 4motion (CSNA)	Diesel	4WD	1968	120	163	11.11-12.16	*
2.5 TDI (BJJ)	Diesel	RWD	2461	65	88	04.06-07.11	*
2.5 TDI (CEBA)	Diesel	RWD	2461	65	88	04.06-07.11	*
2.5 TDI (BJK)	Diesel	RWD	2461	80	109	04.06-05.13	*
2.5 TDI (CEBB)	Diesel	RWD	2461	80	109	04.06-05.13	*
2.5 TDI (BJL)	Diesel	RWD	2461	100	136	04.06-05.13	*
2.5 TDI (CECA)	Diesel	RWD	2461	100	136	04.06-05.13	*
2.5 TDI (BJM)	Diesel	RWD	2461	120	163	04.06-07.11	*
2.5 TDI (CECB)	Diesel	RWD	2461	120	163	04.06-07.11	*
CRAFTER 30-50 (2E_) 04.06-12.16				[CAMBIADO]:Furgón (LCVs-N1 Segment)			
2.0 TDI (CKTB)	Diesel	RWD	1968	80	109	05.11-12.16	*
2.0 TDI (CSLA)	Diesel	RWD	1968	80	109	05.11-12.16	*
2.0 TDI (CSLB)	Diesel	RWD	1968	84	114	11.13-12.16	*
2.0 TDI (CKTC)	Diesel	RWD	1968	100	136	05.11-12.16	*
2.0 TDI (CKUC)	Diesel	RWD	1968	105	142	10.11-12.16	*
2.0 TDI (CKUB)	Diesel	RWD	1968	120	163	07.11-12.16	*
2.0 TDI (CSNA)	Diesel	RWD	1968	120	163	07.11-12.16	*

LISTA DE APLICACIONES - BUYERS GUIDE

2.0 TDI 4motion (CKUB)	Diesel	4WD	1968	120	163	07.11-12.16	*
2.0 TDI 4motion (CSNA)	Diesel	4WD	1968	120	163	07.11-12.16	*
2.5 TDI (BJJ)	Diesel	RWD	2461	65	88	04.06-07.11	*
2.5 TDI (CEBA)	Diesel	RWD	2461	65	88	04.06-07.11	*
2.5 TDI (BJK)	Diesel	RWD	2461	80	109	04.06-05.13	*
2.5 TDI (CEBB)	Diesel	RWD	2461	80	109	04.06-05.13	*
2.5 TDI (BJL)	Diesel	RWD	2461	100	136	04.06-05.13	*
2.5 TDI (CECA)	Diesel	RWD	2461	100	136	04.06-05.13	*
2.5 TDI (BJM)	Diesel	RWD	2461	120	163	04.06-07.11	*
2.5 TDI (CECB)	Diesel	RWD	2461	120	163	04.06-07.11	*
CRAFTER 30-50 (2F_) 04.06-12.16				Caja/Chasis (LCVs-N1 Segment)			
2.0 TDI (CKTB)	Diesel	RWD	1968	80	109	05.11-12.16	*
2.0 TDI (CSLA)	Diesel	RWD	1968	80	109	05.11-12.16	*
2.0 TDI (CSLB)	Diesel	RWD	1968	84	114	11.13-12.16	*
2.0 TDI (CKTC)	Diesel	RWD	1968	100	136	05.11-12.16	*
2.0 TDI (CKUC)	Diesel	RWD	1968	105	142	10.11-12.16	*
2.0 TDI (CKUB)	Diesel	RWD	1968	120	163	07.11-12.16	*
2.0 TDI (CSNA)	Diesel	RWD	1968	120	163	07.11-12.16	*
2.0 TDI 4motion (CKUB)	Diesel	4WD	1968	120	163	11.11-12.16	*
2.0 TDI 4motion (CSNA)	Diesel	4WD	1968	120	163	11.11-12.16	*
2.5 TDI (BJJ)	Diesel	RWD	2461	65	88	04.06-07.11	*
2.5 TDI (CEBA)	Diesel	RWD	2461	65	88	04.06-07.11	*
2.5 TDI (BJK)	Diesel	RWD	2461	80	109	04.06-05.13	*
2.5 TDI (CEBB)	Diesel	RWD	2461	80	109	04.06-05.13	*
2.5 TDI (BJL)	Diesel	RWD	2461	100	136	04.06-05.13	*
2.5 TDI (CECA)	Diesel	RWD	2461	100	136	04.06-05.13	*
2.5 TDI (BJM)	Diesel	RWD	2461	120	163	04.06-07.11	*
2.5 TDI (CECB)	Diesel	RWD	2461	120	163	04.06-07.11	*