


# LISTA DE APLICACIONES - BUYERS GUIDE

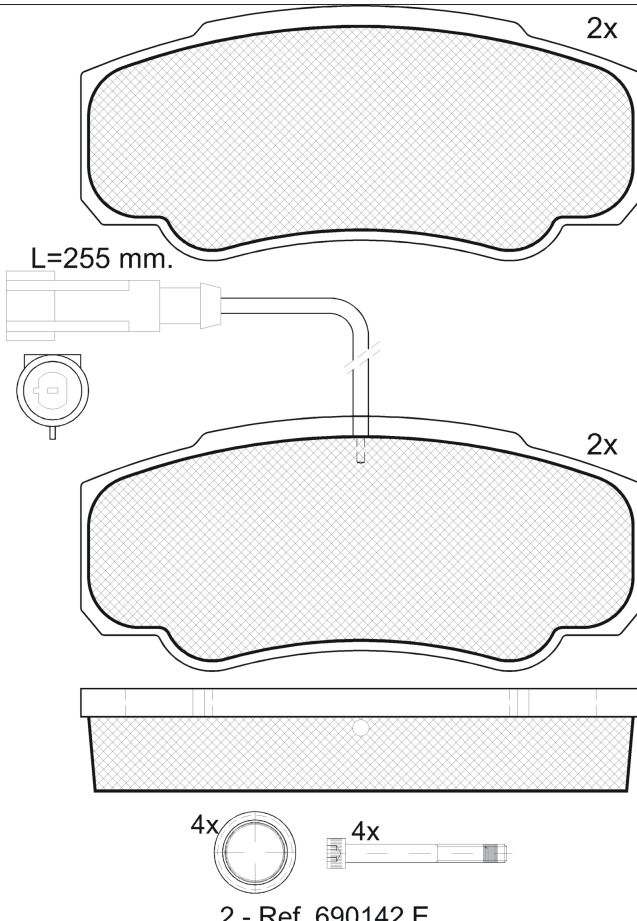
## RB1847



8 424073 135391

Qty: 944      Weight: 1.485

O.E.M.	MAKE
5001 868 608	RENAULT TRUCKS
D4060-MA000	NISSAN




L=255 mm.

2 - Ref. 690142 E

## RB1847

E 9 **90R-01110/959**



Brembo

109.6x49.9x20

WVA	FMSI
23860	D1582-8794
23921	
24589	

Sin Filas



Trac.	CC	Kw	CV						
						Front / Rear			

CITROËN								
<b>XSARA (N2) 10.97-03.10</b>						[CAMBIADO]:Break (Compact car-C Segment)		
1.9 TD (DHY (XUD9TE/Y))	Diesel	FWD	1905	66	90	10.97-09.00	*	
DADI								
<b>CITY COURSER 09.01-08.04</b>						Closed SUV (Compact SUV-J Segment)		
2.2	Gasolina	FWD	2237	76	103	09.01-08.04	*	
2.8 TD A las 4 ruedas	Diesel	RWD	2771	74	101	09.01-08.04	*	
<b>CITY COURSER II 09.04-</b>						Closed SUV (Compact SUV-J Segment)		
2.2	Gasolina	FWD	2237	76	103	09.04-	*	
2.4 A las 4 ruedas	Gasolina	FWD	2351	97	132	09.04-12.12	*	
FORD ASIA & OCEANIA								
<b>FESTIVA (BA_2, BJ_2) 11.90-09.04</b>						Sedán (Supermini car-B Segment)		
1.3 GLX	Gasolina	FWD	1324	55	75	05.94-08.98	*	
1.6	Gasolina	FWD	1598	72	98	09.98-09.04	*	
HONDA								
<b>CITY IV / FIT ARIA (GE4) 11.02-03.09</b>						Sedán (Supermini car-B Segment)		
1.3 SES (L13A1)	Gasolina	FWD	1339	63	86	05.03-07.08	*	
1.3 SES (L13A8)	Gasolina	FWD	1339	63	86	05.03-07.08	*	
1.5 FF (L15A1)	Gasolina	FWD	1497	70	95	09.04-09.05	*	
LIFAN								
<b>FENGSHUN / FOISON / VAN 04.10-</b>						MPV (Compact MPV-M1 Segment)		
1.3	Gasolina	FWD	1299	68	93	04.10-	*	

# LISTA DE APLICACIONES - BUYERS GUIDE

NISSAN								
<b>CABSTAR 09.06-12.12</b>					<b>Caja/Chasis</b>			
28.11		Diesel		2488	81	110	10.06-	*
35.13 (YD25DDTI)		Diesel		2488	96	130	09.06-12.12	*
35.13 (YD25ETI)		Diesel		2488	96	130	09.06-12.12	*
35.15 (ZD30H HD-5)		Diesel		2953	101	137	10.06-	*
<b>CABSTAR (F23, H41, H42) 07.92-09.11</b>					<b>Caja/Chasis (LCVs-N1 Segment)</b>			
2.5 dCi		Diesel	RWD	2488	96	131	10.06-09.11	*
<b>CABSTAR E (F24M, F24W) 09.06-12.13</b>					<b>Caja/Chasis (LCVs-N1 Segment)</b>			
28.11 DCI, 32.11 DCI, 35.11 DCI 2.5 (F24M) (YD25DDTI)		Diesel	RWD	2488	81	110	09.06-12.13	*
34.110 DCI 2.5 (F24M) (YD25DDTI)		Diesel	RWD	2488	82	111	01.07-04.12	*
28.12 DCI, 32.12 DCI, 34.12 DCI, 35.12 DCI 2.5 (F24M) (YD25DDTI)		Diesel	RWD	2488	90	122	09.06-12.13	*
35.13 DCI, 45.13 DCI 2.5 (F24M) (YD25DDTI)		Diesel	RWD	2488	96	131	09.06-12.12	*
35.14 DCI, 45.14 DCI 2.5 (F24M) (YD25DDTI)		Diesel	RWD	2488	100	136	09.06-12.13	*
35.14 DCI, 45.14 DCI 2.5 (F24M) (YD25K3LD-5MI)		Diesel	RWD	2488	100	136	09.06-12.13	*
35.14 DCI 3.0 (F24M) (ZD30DDTI)		Diesel	RWD	2953	101	137	09.06-12.13	*
35.15 DCI, 45.15 DCI 3.0 (F24M) (ZD30)		Diesel	RWD	2953	110	150	09.06-12.13	*
35.15 DCI, 45.15 DCI 3.0 (F24M) (ZD30DDTI)		Diesel	RWD	2953	110	150	09.06-12.13	*
35.15 DCI, 45.15 DCI 3.0 (F24M) (ZD30H HD-5)		Diesel	RWD	2953	110	150	09.06-12.13	*
<b>NT400 CABSTAR (F24F) 01.14-</b>					<b>Caja/Chasis</b>			
28.12 (YD25K3LD-5LO)		Diesel		2488	90	122	01.14-	*
32.12 (YD25K3LD-5LO)		Diesel		2488	90	122	01.14-	*
35.12 (YD25K3LD-5LO)		Diesel		2488	90	122	01.14-	*
35.14, 35.15 (YD25K3LD-5LO)		Diesel		2488	100	136	01.14-	*
45.15 (YD25K3LD-5LO)		Diesel		2488	107	145	01.14-	*
<b>NT400 CABSTAR (F24M) 08.09-</b>					<b>Caja/Chasis (LCVs-N1 Segment)</b>			
28.12, 32.12, 35.12 (F91AN, F24M) (YD25K3LD-5LO)		Diesel	RWD	2488	90	122	01.14-	*
35.14, 45.14 (YD25K3LD-5MI)		Diesel	RWD	2488	100	136	01.14-	*
35.15, 45.15 (YD25K3LD-5HO)		Diesel	RWD	2488	107	146	01.14-	*
35.13 (ZD30DDTI)		Diesel	RWD	2953	96	130	09.16-	*
35.15, 45.15 (ZD30DDTI)		Diesel	RWD	2953	110	150	09.16-	*
<b>NT400 CABSTAR (F24F) 01.14-</b>					<b>Camión volquete</b>			
35.12 (YD25K3LD-5LO)		Diesel		2488	90	122	01.14-	*
35.14 (YD25K3LD-5LO)		Diesel		2488	100	136	01.14-	*
<b>NT400 CABSTAR (F24M) 09.16-</b>					<b>Volquete (Volquete-N2 Segment)</b>			
35.13		Diesel	RWD	2953	96	130	09.16-	*
35.15, 45.15		Diesel	RWD	2953	110	150	09.16-	*
RENAULT TRUCKS								
<b>Maxity 03.07-</b>					<b>Caja/Chasis</b>			
110.28 (DXI 2,5)		Diesel		2488	81	110	03.07-	*
110.28 (YD25DDTI)		Diesel		2488	81	110	03.07-	*
110.32 (DXI 2,5)		Diesel		2488	81	110	03.07-	*
110.32 (YD25DDTI)		Diesel		2488	81	110	03.07-	*
110.35 (DXI 2,5)		Diesel		2488	81	110	03.07-	*
110.35 (YD25DDTI)		Diesel		2488	81	110	03.07-	*
120.35 (DXI 2,5)		Diesel		2488	88	120	03.10-	*
120.35 (YD25DDTI)		Diesel		2488	88	120	03.10-	*

# LISTA DE APLICACIONES - BUYERS GUIDE

130.35 (DXI 2,5)		Diesel		2488	96	130	03.07-	*	
130.35 (YD25DDTI)		Diesel		2488	96	130	03.07-	*	
140.35 (DXI 2,5)		Diesel		2488	103	140	03.10-	*	
140.35 (YD25DDTI)		Diesel		2488	103	140	03.10-	*	
150.35 (DXI 2,5)		Diesel		2488	110	150	03.10-	*	
150.35 (YD25DDTI)		Diesel		2488	110	150	03.10-	*	
130.35 (DTI 3)		Diesel		2953	96	130	07.16-	*	
130.35 (DXI 3)		Diesel		2953	96	130	07.16-	*	
130.35 (ZD30DTI)		Diesel		2953	96	130	07.16-	*	
150.35 (DXI 3)		Diesel		2953	110	150	03.07-	*	
150.35 (ZD30DTI)		Diesel		2953	110	150	03.07-	*	
<b>Maxity 03.07-</b>					<b>Camión volquete</b>				
110.28 (DXI 2,5)		Diesel		2488	81	110	03.07-	*	
110.28 (YD25DDTI)		Diesel		2488	81	110	03.07-	*	
110.32 (DXI 2,5)		Diesel		2488	81	110	03.07-	*	
110.32 (YD25DDTI)		Diesel		2488	81	110	03.07-	*	
110.35 (DXI 2,5)		Diesel		2488	81	110	03.07-	*	
110.35 (YD25DDTI)		Diesel		2488	81	110	03.07-	*	
120.35 (DXI 2,5)		Diesel		2488	88	120	03.10-	*	
120.35 (YD25DDTI)		Diesel		2488	88	120	03.10-	*	
130.35 (DXI 2,5)		Diesel		2488	96	130	03.07-	*	
130.35 (YD25DDTI)		Diesel		2488	96	130	03.07-	*	
140.35 (DXI 2,5)		Diesel		2488	103	140	03.10-	*	
140.35 (YD25DDTI)		Diesel		2488	103	140	03.10-	*	
150.35 (DXI 2,5)		Diesel		2488	110	150	03.10-	*	
150.35 (YD25DDTI)		Diesel		2488	110	150	03.10-	*	
130.35 (DTI 3)		Diesel		2953	96	130	07.16-	*	
130.35 (DXI 3)		Diesel		2953	96	130	07.16-	*	
130.35 (ZD30DTI)		Diesel		2953	96	130	07.16-	*	
150.35 (DXI 3)		Diesel		2953	110	150	03.07-	*	
150.35 (ZD30DTI)		Diesel		2953	110	150	03.07-	*	
<b>TOYOTA</b>									
<b>4RUNNER IV (_N21_) 08.02-12.09</b>					<b>SUV (Executive SUV-J Segment)</b>				
4.0		Gasolina	FWD	3956	176	239	09.05-07.09	*	
<b>AVENSIS (_T22_) 09.97-02.03</b>					<b>[CAMBIADO]:Break (Large family car-D Segment)</b>				
1.6 i (AT220_, AT220R) (4A-FE)		Gasolina	FWD	1587	74	101	09.97-10.00	*	
<b>AVENSIS (_T22_) 09.97-02.03</b>					<b>[CAMBIADO]:Fastback (Large family car-D Segment)</b>				
1.6 i (AT220_, AT220R) (4A-FE)		Gasolina	FWD	1587	74	101	09.97-10.00	*	
1.6 i (AT220_, AT220R) (4A-FE)		Gasolina	FWD	1587	81	110	09.97-10.00	*	
1.8 i (AT221_, AT221R) (7A-FE)		Gasolina	FWD	1762	81	110	09.97-10.00	*	
2.0 i (ST220_, ST220R) (3S-FE)		Gasolina	FWD	1998	94	128	09.97-10.00	*	
<b>AVENSIS (_T22_) 09.97-02.03</b>					<b>Sedán (Large family car-D Segment)</b>				
1.6 i (AT220_, AT220R) (4A-FE)		Gasolina	FWD	1587	74	101	09.97-10.00	*	
1.6 i (AT220_, AT220R) (4A-FE)		Gasolina	FWD	1587	81	110	10.97-06.00	*	
2.0 i (ST220_, ST220R) (3S-FE)		Gasolina	FWD	1998	94	128	09.97-10.00	*	