

LISTA DE APLICACIONES - BUYERS GUIDE

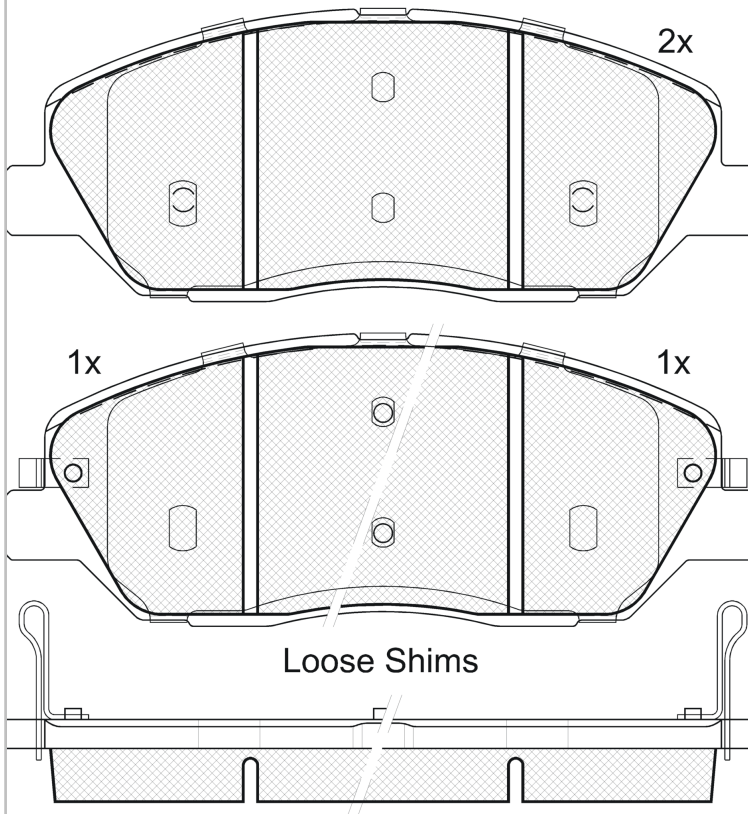
RB1828



Qty: 300

Weight: 2.185

O.E.M.	MAKE
48130-341A0	SSANGYONG
48130-36B00	SSANGYONG
48130-36B10	SSANGYONG
58101-0WA00	HYUNDAI
58101-2BA00	HYUNDAI
58101-2BA10	HYUNDAI
58101-2JA10	KIA
58101-2JA11	KIA
58101-2JA50	KIA
58101-2PA00	HYUNDAI
58101-2PA70	KIA
58101-2WA01	HYUNDAI
58101-2WA70	HYUNDAI
58101-2WA90	HYUNDAI
58101-3MA00	HYUNDAI
58101-3MA01	HYUNDAI
58101-3MA20	HYUNDAI
58101-4DA60	KIA
58101-4DU00	KIA
S58101-2BA10	HYUNDAI
S58101-2PA70	HYUNDAI



RB1828

E 9 90R-01111/2242



Mando

156.8x60.7x17.6

WVA	FMSI
24351	D1202-8322
24352	D1202-8400
24568	D1384-8400
24569	

Sin Filas



Trac.	CC	Kw	CV
-------	----	----	----



Front / Rear

HYUNDAI

ENTOURAGE (U.S.A.) 09.06-12.08

MPV (Large MPV-M1 Segment)

3.8	Gasolina	FWD	3778	187	254	09.06-12.08	*
3.8 GLS,SE,Limited	Gasolina	FWD	3795	178	242	09.06-	*

GENESIS (BH) 01.08-

Coupé (Luxury car-F Segment)

2.0 T (G4KF)	Gasolina	RWD	1998	157	214	01.08-12.12	*
3.8 V6 (G6DA)	Gasolina	RWD	3778	223	303	01.08-02.14	*
3.8	Gasolina	RWD	3778	226	307	05.10-	*

GENESIS (BH) 01.08-12.15

Sedán (Luxury car-F Segment)

3.3 24V (G6DB)	Gasolina	RWD	3342	171	233	06.08-12.14	*
3.3	Gasolina	RWD	3342	193	262	01.09-02.14	*
3.3 24V (G6DH)	Gasolina	RWD	3342	221	300	01.08-12.14	*
3.6 V6	Gasolina	FWD	3595	168	228	01.08-	*
3.8 V6 (G6DA)	Gasolina	RWD	3778	213	290	01.08-12.14	*
4.6 V8	Gasolina	FWD	4595	206	280	01.08-	*

GRAND SANTA FÉ 01.13-

SUV (Executive SUV-J Segment)

3.0 GDi A las 4 ruedas	Gasolina	4WD	2999	183	249	07.13-11.18	*
3.3 (G6DF)	Gasolina	4WD	3342	183	249	01.14-11.18	*
3.3 A las 4 ruedas (G6DF)	Gasolina	4WD	3342	199	271	02.14-11.18	*
2.2 CRDi A las 4 ruedas (D4HB)	Diesel	4WD	2199	145	197	06.13-11.18	*
2.2 CRDi A las 4 ruedas (D4HB)	Diesel	4WD	2199	147	200	09.13-11.18	*

SANTA FE (SM) 11.00-03.06

SUV (Executive SUV-J Segment)

2.7	Gasolina	FWD	2656	139	189	10.05-03.06	*
2.2 CRDi	Diesel	RWD	2188	110	150	10.05-03.06	*

LISTA DE APLICACIONES - BUYERS GUIDE

SANTA FE II (U.S.A.) 09.07-12.12					Closed SUV (Executive SUV-J Segment)			
3.3		Gasolina	FWD	3342	180	245	09.07-12.09	*
3.3		Gasolina	FWD	3342	180	245	09.07-	*
SANTA FE II (CM) 10.05-03.15					Furgoneta/SUV (Executive SUV-J Segment)			
CRDi 4x4		Diesel	4WD	2188	110	150	11.05-12.11	*
CRDi		Diesel	FWD	2188	114	155	09.06-12.11	*
CRDi 4x4		Diesel	4WD	2188	114	155	09.06-12.11	*
CRDi		Diesel	FWD	2199	145	197	01.09-05.13	*
CRDi 4x4		Diesel	4WD	2199	145	197	01.09-05.13	*
SANTA FE II (CM) 01.05-03.15					SUV (Executive SUV-J Segment)			
2.4 (G4KE)		Gasolina	FWD	2359	128	174	11.10-12.12	*
2.4 4x4 (G4KE)		Gasolina	4WD	2359	128	174	07.10-12.12	*
2.7 (G6EA)		Gasolina	FWD	2656	125	170	03.06-12.12	*
2.7 4x4 (G6EA)		Gasolina	4WD	2656	125	170	03.06-12.12	*
2.7 V6 GLS (G6EA)		Gasolina	FWD	2656	139	189	03.06-12.09	*
2.7 V6 GLS 4x4 (G6EA)		Gasolina	4WD	2656	139	189	03.06-12.09	*
2.7 4x4 (G6EA)		Gasolina	4WD	2656	147	200	01.07-12.12	*
3.3 Dynamic 4x4		Gasolina	4WD	3342	173	235	03.06-12.12	*
3.3		Gasolina	FWD	3342	180	245	07.07-01.09	*
3.5 4x4 (G6DC)		Gasolina	4WD	3470	203	276	08.11-12.12	*
3.5 4x4 (G6DC)		Gasolina	4WD	3470	204	277	08.11-12.12	*
2.0 CRDi (D4HA)		Diesel	FWD	1995	110	150	12.10-12.12	*
2.0 CRDi 4x4 (D4HA)		Diesel	4WD	1995	110	150	12.10-12.12	*
2.2 CRDi (D4EB)		Diesel	FWD	2188	102	139	03.06-12.12	*
2.2 CRDi 4x4 (D4EB)		Diesel	4WD	2188	102	139	03.06-12.12	*
2.2 CRDi		Diesel	RWD	2188	110	150	10.05-03.06	*
2.2 CRDi GLS (D4EB)		Diesel	FWD	2188	110	150	03.06-12.09	*
2.2 CRDi GLS 4x4 (D4EB)		Diesel	4WD	2188	110	150	03.06-12.09	*
2.2 CRDi (D4EB)		Diesel	FWD	2188	114	155	03.06-12.09	*
2.2 CRDi 4x4 (D4EB)		Diesel	4WD	2188	114	155	03.06-12.09	*
2.2 CRDi (D4HB)		Diesel	FWD	2199	145	197	01.09-12.12	*
2.2 CRDi 4x4 (D4HB)		Diesel	4WD	2199	145	197	01.09-12.12	*
2.2 CRDi (D4HB)		Diesel	FWD	2199	147	200	01.09-12.10	*
2.2 CRDi 4x4 (D4HB)		Diesel	4WD	2199	147	200	01.09-12.12	*
SANTA FE III (DM) 09.12-					Furgoneta/SUV (Executive SUV-J Segment)			
CRDi 4x4		Diesel	4WD	2199	145	197	05.15-10.18	*
SANTA FE III (DM, DMA) 09.12-					SUV (Executive SUV-J Segment)			
2.0 GDI (G4KH)		Gasolina	FWD	1998	177	241	06.15-12.18	*
2.4 CCVT (G4KE)		Gasolina	FWD	2359	126	171	06.15-12.18	*
2.4 CCVT AWD (G4KE)		Gasolina	4WD	2359	126	171	06.15-10.18	*
2.4 CCVT (G4KE)		Gasolina	FWD	2359	129	175	09.12-12.18	*
2.4 CCVT AWD (G4KE)		Gasolina	4WD	2359	129	175	09.12-12.18	*
2.4 GDI (G4KJ)		Gasolina	FWD	2359	138	188	05.15-08.18	*
2.4 GDI 4WD (G4KJ)		Gasolina	4WD	2359	138	188	05.15-08.18	*
2.4 (G4KJ)		Gasolina	FWD	2359	141	192	09.12-10.15	*
2.4 4WD (G4KJ)		Gasolina	4WD	2359	141	192	09.12-10.15	*
2.0 CRDi (D4HA)		Diesel	FWD	1995	110	150	09.12-08.18	*
2.0 CRDi 4WD (D4HA)		Diesel	4WD	1995	110	150	09.12-08.18	*
2.0 CRDi (D4HA)		Diesel	FWD	1995	136	185	05.15-08.18	*

LISTA DE APLICACIONES - BUYERS GUIDE

2.0 CRDi 4WD (D4HA)		Diesel	4WD	1995	136	185	09.12-08.18	*	
2.2 CRDi (D4HB)		Diesel	FWD	2199	145	197	09.12-12.18	*	
2.2 CRDi 4WD (D4HB)		Diesel	4WD	2199	145	197	09.12-12.18	*	
2.2 CRDi (D4HB)		Diesel	FWD	2199	147	200	10.15-08.18	*	
2.2 CRDi 4WD (D4HB)		Diesel	4WD	2199	147	200	10.15-08.18	*	
SANTA FE IV (TM, TMA) 02.18-					SUV (Executive SUV-J Segment)				
3.5 MPI AWD (G6DC)		Gasolina	4WD	3470	183	249	07.19-07.20	*	
3.5 MPI AWD (G6DC)		Gasolina	4WD	3470	206	280	07.18-	*	
HYUNDAI (BEIJING)									
SANTA FE (DM) 12.12-					SUV (Executive SUV-J Segment)				
2.0		Gasolina	FWD	1998	180	245	12.12-	*	
2.0 4WD		Gasolina	4WD	1998	180	245	12.12-	*	
2.4		Gasolina	FWD	2359	139	189	12.12-	*	
2.4 4WD		Gasolina	4WD	2359	139	189	12.12-	*	
HYUNDAI (HUATAI)									
SANTA FE 10.06-					Closed SUV (Executive SUV-J Segment)				
1.8		Gasolina	FWD	1796	110	148	10.06-	*	
2.0		Gasolina	FWD	1997	93	126	11.10-	*	
2.7		Gasolina	FWD	2656	128	172	10.06-	*	
2.0 D		Diesel	RWD	1991	93	125	10.06-	*	
INOKOM									
SANTA FE (CM) 09.06-					SUV (Executive SUV-J Segment)				
2.7 (G6EA)		Gasolina	FWD	2656	138	188	09.06-12.12	*	
2.7 AWD (G6EA)		Gasolina	4WD	2656	138	188	09.06-12.12	*	
2.2 CRDi (D4EB)		Diesel	FWD	2188	110	150	09.06-12.12	*	
2.2 CRDi AWD (D4EB)		Diesel	4WD	2188	110	150	09.06-12.12	*	
KG MOBILITY									
(XAE, O100, Q260) 11.23-					Pick-up ()				
2.2 e-XDi		Diesel	RWD	2157	149	203	11.23-	*	
2.2 e-XDi 4WD		Diesel	4WD	2157	149	203	11.23-	*	
(POE) 11.23-					SUV ()				
2.2 e-XDi 4WD		Diesel	4WD	2157	149	203	11.23-	*	
KIA									
BORREGO/MOHAVE (HM) 11.07-					SUV (Compact SUV-J Segment)				
3.8 4WD		Gasolina	4WD	3778	201	274	12.14-	*	
3.8		Gasolina	RWD	3778	202	275	06.08-12.13	*	
3.8 4WD (G6DA)		Gasolina	4WD	3778	202	275	06.08-	*	
4.6 4WD (G8BA)		Gasolina	4WD	4627	250	340	06.08-	*	
3.0 CRDi 4WD (D6EA)		Diesel	4WD	2959	184	250	11.07-	*	
3.0 CRDi 4WD (D6EB)		Diesel	4WD	2959	184	250	11.07-	*	
3.0 CRDi 4WD (D6EA)		Diesel	4WD	2959	188	256	01.08-	*	
3.0 CRDi 4WD (D6EB)		Diesel	4WD	2959	188	256	01.08-	*	
3.0 CRDi		Diesel	RWD	2959	191	260	01.11-	*	
CEE'D (ED) 12.06-12.12					[CAMBIADO]:Fastback (Compact car-C Segment)				
3.8 LX,EX		Gasolina	FWD	3795	179	244	12.06-	*	
3.8 LX,EX		Gasolina	FWD	3795	179	244	12.06-	*	
3.8 LX,EX		Gasolina	FWD	3795	179	244	12.06-	*	

LISTA DE APLICACIONES - BUYERS GUIDE

SORENTO II (XM) 06.09-12.15					Furgoneta/SUV (Compact SUV-J Segment)			
CVVT		Gasolina	FWD	2359	128	174	06.09-12.15	*
CVVT 4WD		Gasolina	4WD	2359	128	174	06.09-12.15	*
CRDi		Diesel	FWD	2199	145	197	11.09-12.15	*
CRDi 4WD		Diesel	4WD	2199	145	197	11.09-12.15	*
SORENTO II (XM) 09.09-					SUV (Compact SUV-J Segment)			
2.4 CVVT (G4KE)		Gasolina	FWD	2359	128	174	11.09-12.15	*
2.4 CVVT 4WD (G4KE)		Gasolina	4WD	2359	128	174	11.09-12.15	*
2.4 CVVT		Gasolina	FWD	2359	141	192	10.12-12.15	*
2.4 CVVT 4WD		Gasolina	4WD	2359	141	192	10.12-12.15	*
2.4 GDI (G4KJ)		Gasolina	FWD	2359	141	192	10.12-12.15	*
2.4 GDI 4WD (G4KJ)		Gasolina	4WD	2359	141	192	10.12-12.15	*
2.4 GDI		Gasolina	FWD	2359	142	193	09.13-	*
3.3 GDI		Gasolina	FWD	3342	216	294	09.13-	*
3.5		Gasolina	FWD	3470	203	276	11.09-12.15	*
3.5 4WD (G6DC)		Gasolina	4WD	3470	203	276	11.09-12.15	*
3.5 4WD (G6DC)		Gasolina	4WD	3470	204	278	05.13-12.15	*
3.5		Gasolina	FWD	3470	206	280	09.10-12.13	*
3.5 4WD		Gasolina	4WD	3470	206	280	01.11-12.15	*
3.5		Gasolina	FWD	3470	207	282	11.09-	*
2.4 LPG (G4KE)		Gasol./Gas (LPG)	FWD	2359	126	171	04.10-12.15	*
2.4 LPG 4WD (G4KE)		Gasol./Gas (LPG)	4WD	2359	126	171	04.10-12.15	*
2.0 CRDi (D4HA)		Diesel	FWD	1995	110	150	11.10-12.15	*
2.0 CRDi 4WD (D4HA)		Diesel	4WD	1995	110	150	11.10-12.15	*
2.2 CRDi (D4HB)		Diesel	FWD	2199	145	197	11.09-12.15	*
2.2 CRDi 4WD (D4HB)		Diesel	4WD	2199	145	197	11.09-12.15	*
2.2 CRDi (D4HB)		Diesel	FWD	2199	147	200	11.09-12.15	*
2.2 CRDi 4WD (D4HB)		Diesel	4WD	2199	147	200	11.09-12.15	*
SSANGYONG								
ACTYON 08.12-					SUV (Compact SUV-J Segment)			
2.0 (G20)		Gasolina	FWD	1998	110	150	08.12-	*
2.0 4x4 (G20)		Gasolina	4WD	1998	110	150	08.12-	*
2.0 Xdi (D20DTF)		Diesel	FWD	1998	110	150	08.12-	*
2.0 Xdi 4x4 (D20DTF)		Diesel	4WD	1998	110	150	08.12-	*
2.0 TD		Diesel	RWD	1998	114	155	03.14-	*
2.0 Xdi (D20DTR)		Diesel	FWD	1998	129	175	08.12-	*
2.0 Xdi 4x4 (D20DTF)		Diesel	4WD	1998	129	175	03.13-	*
KORANDO III 07.10-					Furgoneta/SUV (Executive SUV-J Segment)			
2.0 e-XGi		Gasolina	FWD	1998	110	150	07.15-	*
2.0 e-XGi 4WD		Gasolina	4WD	1998	110	150	07.15-	*
2.0 e-XDi		Diesel	FWD	1998	129	175	11.10-	*
2.0 e-XDi 4WD		Diesel	4WD	1998	129	175	11.10-	*
2.2 e-XDi		Diesel	FWD	2157	131	178	07.15-	*
2.2 e-XDi 4WD		Diesel	4WD	2157	131	178	07.15-	*
KORANDO III (CK) 07.10-					SUV (Executive SUV-J Segment)			
2.0 e-XGi (G20D)		Gasolina	FWD	1998	108	147	02.12-	*
2.0 e-XGi 4WD (G20D)		Gasolina	4WD	1998	108	147	02.12-	*
2.0 (G20)		Gasolina	FWD	1998	110	150	02.12-	*

LISTA DE APLICACIONES - BUYERS GUIDE

2.0 4WD (G20)		Gasolina	4WD	1998	110	150	02.12-	*	
2.0 LPG (G20D)		Gasol./Gas (LPG)	FWD	1998	108	147	02.12-	*	
2.0 LPG AWD (G20D)		Gasol./Gas (LPG)	4WD	1998	108	147	02.12-	*	
2.0 GPL (G20)		Gasol./Gas (LPG)	FWD	1998	110	150	05.15-	*	
2.0 GPL 4WD (G20)		Gasol./Gas (LPG)	4WD	1998	110	150	09.15-	*	
2.0 e-XDi (D20DT)		Diesel	FWD	1998	110	150	02.12-	*	
2.0 e-XDi (D20DTF)		Diesel	FWD	1998	110	150	02.12-	*	
2.0 e-XDi 4WD (D20DT)		Diesel	4WD	1998	110	150	02.12-	*	
2.0 e-XDi 4WD (D20DTF)		Diesel	4WD	1998	110	150	02.12-	*	
2.0 e-XDi (D20DTF)		Diesel	FWD	1998	129	175	11.10-	*	
2.0 e-XDi 4WD (D20DTF)		Diesel	4WD	1998	129	175	11.10-	*	
2.2 Xdi		Diesel	FWD	2157	131	178	07.15-	*	
2.2 Xdi 4WD		Diesel	4WD	2157	131	178	07.15-	*	
2.2 Xdi		Diesel	RWD	2157	133	181	11.10-	*	
MUSSO II (QK) 01.18-					Pick-up (Executive SUV-J Segment)				
2.2 e-XDi (D22DTR)		Diesel	RWD	2157	133	181	01.18-	*	
2.2 e-XDi 4WD (D22DTR)		Diesel	4WD	2157	133	181	01.18-	*	
2.2 e-XDi		Diesel	RWD	2157	149	203	04.22-	*	
2.2 e-XDi 4WD		Diesel	4WD	2157	149	203	04.22-	*	
MUSSO GRAND 01.19-					Pick-up (Executive SUV-J Segment)				
2.2 e-XDi (D22DTR)		Diesel	RWD	2157	133	181	01.19-	*	
2.2 e-XDi 4WD (D22DTR)		Diesel	4WD	2157	133	181	01.19-	*	
REXTON II (Y400) 07.17-					Furgoneta/SUV (Executive SUV-J Segment)				
e-XDi		Diesel	RWD	2157	133	181	07.17-	*	
e-XDi 4WD		Diesel	4WD	2157	133	181	07.17-	*	
REXTON II (Y400, Y450) 07.17-					SUV (Executive SUV-J Segment)				
2.0 (POX) (G20DTR)		Gasolina	RWD	1998	165	224	07.18-	*	
2.0 A las 4 ruedas (POX) (G20DTR)		Gasolina	4WD	1998	165	224	07.18-	*	
2.2 Xdi (POE) (D22DTR)		Diesel	RWD	2157	133	181	07.17-	*	
2.2 Xdi A las 4 ruedas (POE) (D22DTR)		Diesel	4WD	2157	133	181	07.17-	*	
2.2 Xdi		Diesel	RWD	2157	149	203	07.21-	*	
2.2 Xdi A las 4 ruedas		Diesel	4WD	2157	149	203	07.21-	*	