

LISTA DE APLICACIONES - BUYERS GUIDE

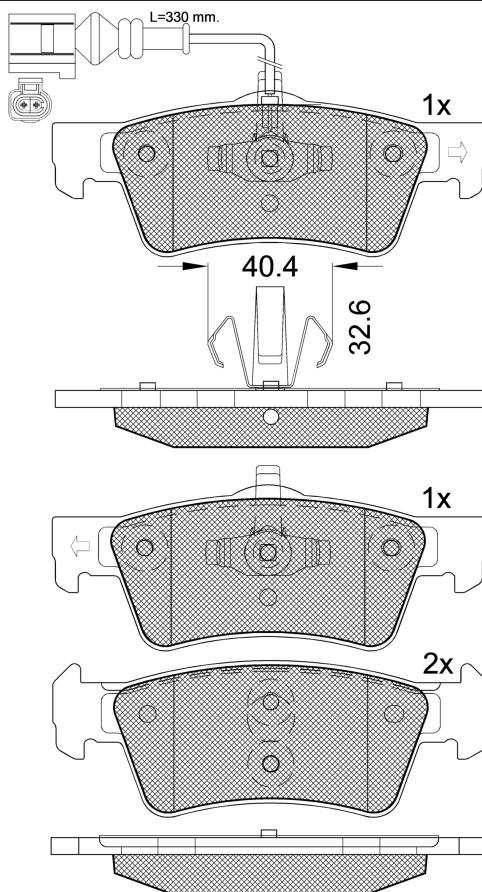
RB1816



Qty: 300

Weight: 1.520

O.E.M.	MAKE
7H8 698 451	VW
86 60 000 736	RENAULT
86 60 004 423	RENAULT



RB1816

E 9 90R-01111/2299



Ate - Teves

140.7x53.96x19.1

141.5x50.94x19.1

WVA

23209

23315

24367

24368

24645

Sin Filas



Trac.	CC	Kw	CV
-------	----	----	----



Front / Rear

VW

CALIFORNIA T5 (7EC, 7EF, 7EG, 7HF, 7HC) 04.03-04.16

Bus (LCVs-N1 Segment)

Engine	Fuel	Trac.	CC	Kw	CV	Period	Notes
1.9 TDI	Diesel	FWD	1896	63	85	05.07-11.09	*
1.9 TDI	Diesel	FWD	1896	75	102	05.07-11.09	*
1.9 TDI	Diesel	FWD	1896	77	105	05.07-11.09	*
2.5 TDI	Diesel	FWD	2461	96	130	05.07-11.09	*
2.5 TDI 4motion	Diesel	4WD	2461	96	130	05.07-11.09	*
2.5 TDI	Diesel	FWD	2461	120	163	05.07-11.09	*
2.5 TDI	Diesel	FWD	2461	128	174	05.07-11.09	*
2.5 TDI 4motion	Diesel	4WD	2461	128	174	05.07-11.09	*

MULTIVAN V (7HM, 7HN, 7HF, 7EF, 7EM, 7EN) 04.03-03.16

Bus (Minibus-M2-Segment)

Engine	Fuel	Trac.	CC	Kw	CV	Period	Notes
2.0 (AXA)	Gasolina	FWD	1984	85	115	11.03-08.15	*
2.0 TSI (CJKA)	Gasolina	FWD	1984	150	204	05.11-08.15	*
2.0 TSI 4motion (CJKA)	Gasolina	4WD	1984	150	204	07.11-08.15	*
3.2	Gasolina	FWD	3189	170	231	11.03-06.06	*
VR6 3.2 (BDL)	Gasolina	FWD	3189	170	231	02.04-06.04	*
VR6 3.2 (BKK)	Gasolina	FWD	3189	173	235	02.04-12.09	*
VR6 3.2 (CFLA)	Gasolina	FWD	3189	173	235	02.04-12.09	*
VR6 3.2 4motion (BKK)	Gasolina	4WD	3189	173	235	07.04-12.09	*
VR6 3.2 4motion (CFLA)	Gasolina	4WD	3189	173	235	07.04-12.09	*
1.9 TDI (BRR)	Diesel	FWD	1896	62	84	01.06-11.09	*
1.9 TDI (AXC)	Diesel	FWD	1896	63	85	04.03-11.09	*
1.9 TDI (BRS)	Diesel	FWD	1896	75	102	01.06-11.09	*
1.9 TDI (AXB)	Diesel	FWD	1896	77	105	04.03-11.09	*
2.0 TDI (CAAA)	Diesel	FWD	1968	62	84	09.09-08.15	*

LISTA DE APLICACIONES - BUYERS GUIDE

2.0 TDI (CAAB)		Diesel	FWD	1968	75	102	09.09-08.15	*
2.0 TDI (CAAD)		Diesel	FWD	1968	84	114	05.11-08.15	*
2.0 TDI (CAAE)		Diesel	FWD	1968	100	136	05.10-08.15	*
2.0 TDI (CCHB)		Diesel	FWD	1968	100	136	05.10-08.15	*
2.0 TDI 4motion (CAAE)		Diesel	4WD	1968	100	136	05.10-08.15	*
2.0 TDI 4motion (CCHB)		Diesel	4WD	1968	100	136	05.10-08.15	*
2.0 TDI (CAAC)		Diesel	FWD	1968	103	140	09.09-08.15	*
2.0 TDI (CCHA)		Diesel	FWD	1968	103	140	09.09-08.15	*
2.0 TDI 4motion (CAAC)		Diesel	4WD	1968	103	140	09.09-08.15	*
2.0 TDI 4motion (CCHA)		Diesel	4WD	1968	103	140	09.09-08.15	*
2.0 BiTDI (CFCA)		Diesel	FWD	1968	132	180	09.09-08.15	*
2.0 BiTDI 4motion (CFCA)		Diesel	4WD	1968	132	180	09.09-08.15	*
2.5 TDI (AXD)		Diesel	FWD	2461	96	130	04.03-11.09	*
2.5 TDI (BNZ)		Diesel	FWD	2461	96	130	04.03-11.09	*
2.5 TDI 4motion (AXD)		Diesel	4WD	2461	96	130	07.04-11.09	*
2.5 TDI 4motion (BNZ)		Diesel	4WD	2461	96	130	07.04-11.09	*
2.5 TDI (BLJ)		Diesel	FWD	2461	120	163	11.03-11.09	*
2.5 TDI (AXE)		Diesel	FWD	2461	128	174	04.03-11.09	*
2.5 TDI (BPC)		Diesel	FWD	2461	128	174	04.03-11.09	*
2.5 TDI 4motion (AXE)		Diesel	4WD	2461	128	174	07.04-11.09	*
2.5 TDI 4motion (BPC)		Diesel	4WD	2461	128	174	07.04-11.09	*
TRANSPORTER T5 (7JD, 7JE, 7JL, 7JY, 7JZ, 7FD, 7FE, 7FL, 7FY, 7FZ) 04.03-03.16							Caja/Chasis (LCVs-N1 Segment)	
2.0 (AXA)		Gasolina	FWD	1984	85	115	11.03-05.13	*
2.0 TSI (CJKB)		Gasolina	FWD	1984	110	150	07.12-08.15	*
VR6 3.2 (BDL)		Gasolina	FWD	3189	170	231	02.04-11.09	*
VR6 3.2 4motion (BDL)		Gasolina	4WD	3189	170	231	11.03-11.09	*
VR6 3.2 (BKK)		Gasolina	FWD	3189	173	235	08.03-11.09	*
VR6 3.2 4motion		Gasolina	4WD	3189	173	235	11.03-11.09	*
2.0 CNG (AXA)		Gasol./Gas (CNG)	FWD	1984	85	115	11.03-05.11	*
1.9 TDI (BRR)		Diesel	FWD	1896	62	84	01.06-11.09	*
1.9 TDI (AXC)		Diesel	FWD	1896	63	85	04.03-11.09	*
1.9 TDI (BRS)		Diesel	FWD	1896	75	102	01.06-11.09	*
1.9 TDI (AXB)		Diesel	FWD	1896	77	105	04.03-11.09	*
2.0 TDI (CAAA)		Diesel	FWD	1968	62	84	09.09-08.15	*
2.0 TDI (CAAB)		Diesel	FWD	1968	75	102	09.09-08.15	*
2.0 TDI (CAAD)		Diesel	FWD	1968	84	114	05.11-08.15	*
2.0 TDI (CAAE)		Diesel	FWD	1968	100	136	05.10-08.15	*
2.0 TDI 4motion (CAAE)		Diesel	4WD	1968	100	136	05.10-08.15	*
2.0 TDI 4motion (CCHB)		Diesel	4WD	1968	100	136	05.10-08.15	*
2.0 TDI (CAAC)		Diesel	FWD	1968	103	140	09.09-08.15	*
2.0 TDI (CCHA)		Diesel	FWD	1968	103	140	09.09-08.15	*
2.0 TDI 4motion (CAAC)		Diesel	4WD	1968	103	140	09.09-08.15	*
2.0 TDI 4motion (CCHA)		Diesel	4WD	1968	103	140	09.09-08.15	*
2.0 BiTDI (CFCA)		Diesel	FWD	1968	132	180	09.09-08.15	*
2.0 BiTDI 4motion (CFCA)		Diesel	4WD	1968	132	180	09.09-08.15	*
2.5 TDI (AXD)		Diesel	FWD	2461	96	130	04.03-11.09	*
2.5 TDI (BNZ)		Diesel	FWD	2461	96	130	04.03-11.09	*
2.5 TDI 4motion (AXD)		Diesel	4WD	2461	96	130	07.04-11.09	*
2.5 TDI 4motion (BNZ)		Diesel	4WD	2461	96	130	07.04-11.09	*
2.5 TDI (AXE)		Diesel	FWD	2461	128	174	04.03-11.09	*

LISTA DE APLICACIONES - BUYERS GUIDE

2.5 TDI (BPC)		Diesel	FWD	2461	128	174	04.03-11.09	*	
2.5 TDI 4motion (AXE)		Diesel	4WD	2461	128	174	04.04-11.09	*	
2.5 TDI 4motion (BPC)		Diesel	4WD	2461	128	174	04.04-11.09	*	
TRANSPORTER T5 / EUROVAN / KOMBI-CARAVALLE (7HB, 7HJ, 7EB, 7EJ) 04.03-03.16							Bus (Minibus-M2-Segment)		
2.0 (AXA)		Gasolina	FWD	1984	85	115	11.03-08.15	*	
2.0 TSI (CJKB)		Gasolina	FWD	1984	110	150	07.12-08.15	*	
2.0 TSI (CJKA)		Gasolina	FWD	1984	150	204	05.11-08.15	*	
2.0 TSI 4motion (CJKA)		Gasolina	4WD	1984	150	204	07.11-08.15	*	
3.2		Gasolina	FWD	3189	170	231	11.03-06.06	*	
VR6 3.2 (BDL)		Gasolina	FWD	3189	170	231	02.04-06.04	*	
VR6 3.2 4motion (BDL)		Gasolina	4WD	3189	170	231	11.03-11.09	*	
3.2 V6 4motion (BKK)		Gasolina	4WD	3189	173	235	11.03-12.09	*	
3.2 V6 4motion (CFLA)		Gasolina	4WD	3189	173	235	11.03-12.09	*	
VR6 3.2 (BKK)		Gasolina	FWD	3189	173	235	02.04-11.09	*	
VR6 3.2 (CFLA)		Gasolina	FWD	3189	173	235	02.04-11.09	*	
2.0 CNG (AXA)		Gasol./Gas (CNG)	FWD	1984	85	115	01.06-08.15	*	
1.9 TDI (BRR)		Diesel	FWD	1896	62	84	01.06-11.09	*	
1.9 TDI (AXC)		Diesel	FWD	1896	63	85	04.03-11.09	*	
1.9 TDI (BRS)		Diesel	FWD	1896	75	102	01.06-11.09	*	
1.9 TDI (AXB)		Diesel	FWD	1896	77	105	04.03-11.09	*	
2.0 TDI (CAAA)		Diesel	FWD	1968	62	84	09.09-08.15	*	
2.0 TDI (CAAB)		Diesel	FWD	1968	75	102	09.09-08.15	*	
2.0 TDI (CAAE)		Diesel	FWD	1968	100	136	05.10-08.15	*	
2.0 TDI (CCHB)		Diesel	FWD	1968	100	136	05.10-08.15	*	
2.0 TDI 4motion (CAAE)		Diesel	4WD	1968	100	136	05.10-08.15	*	
2.0 TDI 4motion (CCHB)		Diesel	4WD	1968	100	136	05.10-08.15	*	
2.0 TDI (CAAC)		Diesel	FWD	1968	103	140	09.09-08.15	*	
2.0 TDI (CCHA)		Diesel	FWD	1968	103	140	09.09-08.15	*	
2.0 TDI 4motion (CAAC)		Diesel	4WD	1968	103	140	09.09-08.15	*	
2.0 TDI 4motion (CCHA)		Diesel	4WD	1968	103	140	09.09-08.15	*	
2.0 BiTDI (CFCA)		Diesel	FWD	1968	132	180	09.09-08.15	*	
2.0 BITDI 4motion (CFCA)		Diesel	4WD	1968	132	180	09.09-08.15	*	
2.5 TDI (AXD)		Diesel	FWD	2461	96	130	04.03-11.09	*	
2.5 TDI (AXE)		Diesel	FWD	2461	96	130	04.03-11.09	*	
2.5 TDI (BNZ)		Diesel	FWD	2461	96	130	04.03-11.09	*	
2.5 TDI 4motion (AXD)		Diesel	4WD	2461	96	130	07.04-11.09	*	
2.5 TDI 4motion (BNZ)		Diesel	4WD	2461	96	130	07.04-11.09	*	
2.5 TDI (BLJ)		Diesel	FWD	2461	120	163	11.03-11.09	*	
2.5 TDI (AXE)		Diesel	FWD	2461	128	174	04.03-11.09	*	
2.5 TDI (BPC)		Diesel	FWD	2461	128	174	04.03-11.09	*	
2.5 TDI 4motion (AXE)		Diesel	4WD	2461	128	174	07.04-11.09	*	
2.5 TDI 4motion (BPC)		Diesel	4WD	2461	128	174	07.04-11.09	*	
TRANSPORTER T5 / KOMBI (7HA, 7HH, 7EA, 7EH) 04.03-08.15							[CAMBIADO]:Furgón (LCVs-N1 Segment)		
2.0 (AXA)		Gasolina	FWD	1984	85	115	11.03-08.15	*	
2.0 TSI (CJKB)		Gasolina	FWD	1984	110	150	07.12-08.15	*	
2.0 TSI (CJKA)		Gasolina	FWD	1984	150	204	05.11-08.15	*	
2.0 TSI 4motion (CJKA)		Gasolina	4WD	1984	150	204	07.11-08.15	*	
3.2		Gasolina	FWD	3189	170	231	11.03-06.06	*	
VR6 3.2 (BDL)		Gasolina	FWD	3189	170	231	04.03-06.05	*	

LISTA DE APLICACIONES - BUYERS GUIDE

VR6 3.2 4motion	Gasolina	4WD	3189	170	231	04.03-06.05	*
VR6 3.2 (BKK)	Gasolina	FWD	3189	173	235	02.04-11.09	*
VR6 3.2 (CFLA)	Gasolina	FWD	3189	173	235	02.04-11.09	*
VR6 3.2 4motion (BKK)	Gasolina	4WD	3189	173	235	11.03-11.09	*
VR6 3.2 4motion (CFLA)	Gasolina	4WD	3189	173	235	11.03-11.09	*
2.0 BiFuel (AXA)	Gasol./Gas (CNG)	FWD	1984	85	115	06.07-08.15	*
1.9 TDI (BRR)	Diesel	FWD	1896	62	84	01.06-11.09	*
1.9 TDI (AXC)	Diesel	FWD	1896	63	85	04.03-11.09	*
1.9 TDI (BRS)	Diesel	FWD	1896	75	102	01.06-11.09	*
1.9 TDI (AXB)	Diesel	FWD	1896	77	105	04.03-11.09	*
2.0 TDI (CAAA)	Diesel	FWD	1968	62	84	09.09-08.15	*
2.0 TDI (CAAB)	Diesel	FWD	1968	75	102	09.09-08.15	*
2.0 TDI (CAAD)	Diesel	FWD	1968	84	114	05.11-08.15	*
2.0 TDI (CAAE)	Diesel	FWD	1968	100	136	05.10-08.15	*
2.0 TDI (CCHB)	Diesel	FWD	1968	100	136	05.10-08.15	*
2.0 TDI 4motion (CAAE)	Diesel	4WD	1968	100	136	05.10-08.15	*
2.0 TDI 4motion (CCHB)	Diesel	4WD	1968	100	136	05.10-08.15	*
2.0 TDI (CAAC)	Diesel	FWD	1968	103	140	09.09-08.15	*
2.0 TDI (CCHA)	Diesel	FWD	1968	103	140	09.09-08.15	*
2.0 TDI 4motion (CAAC)	Diesel	4WD	1968	103	140	09.09-08.15	*
2.0 TDI 4motion (CCHA)	Diesel	4WD	1968	103	140	09.09-08.15	*
2.0 BiTDI (CFCA)	Diesel	FWD	1968	132	180	09.09-08.15	*
2.0 BiTDI 4motion (CFCA)	Diesel	4WD	1968	132	180	09.09-08.15	*
2.5 TDI (AXD)	Diesel	FWD	2461	96	130	04.03-11.09	*
2.5 TDI (BNZ)	Diesel	FWD	2461	96	130	04.03-11.09	*
2.5 TDI 4motion (AXD)	Diesel	4WD	2461	96	130	07.04-11.09	*
2.5 TDI 4motion (BNZ)	Diesel	4WD	2461	96	130	07.04-11.09	*
2.5 TDI (AXE)	Diesel	FWD	2461	128	174	04.03-11.09	*
2.5 TDI (BPC)	Diesel	FWD	2461	128	174	04.03-11.09	*
2.5 TDI 4motion (AXE)	Diesel	4WD	2461	128	174	07.04-11.09	*
2.5 TDI 4motion (BPC)	Diesel	4WD	2461	128	174	07.04-11.09	*