

# LISTA DE APLICACIONES - BUYERS GUIDE

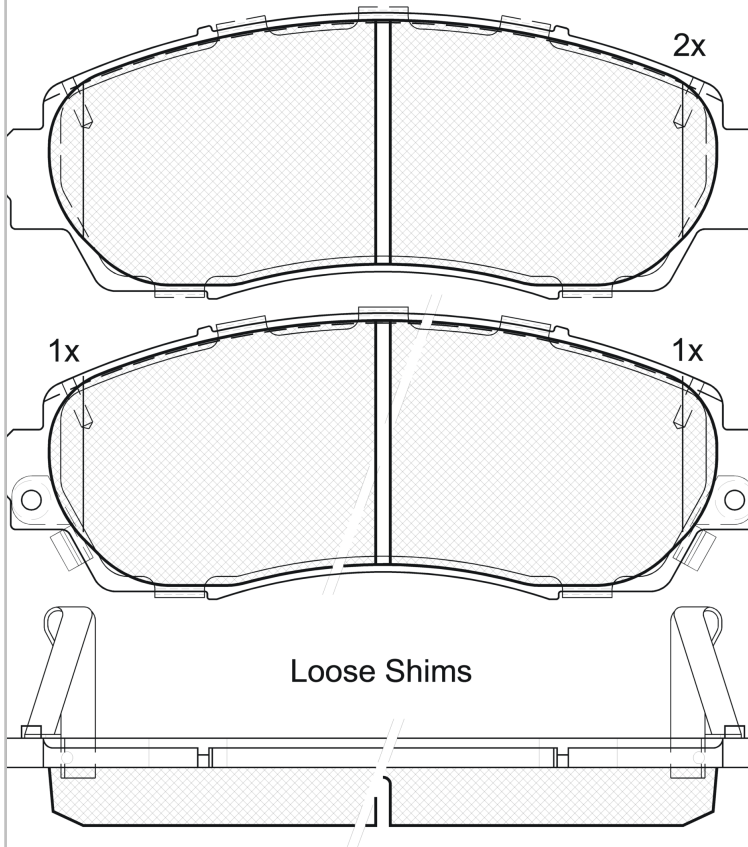
## RB1811



Qty: 300

Weight: 2.150

O.E.M.	MAKE
26296-AL03A	SUBARU
45022-SHJ-405	ACURA
45022-SHJ-415	HONDA
45022-SHJ-A00	HONDA
45022-SHJ-A50	ACURA
45022-SHJ-A50M	HONDA
45022-STK-A00	HONDA
45022-T0A-A00	HONDA
45022-T0A-A01	HONDA
45022-T1G-G00	HONDA
45022-T1G-G01	HONDA
45022-TGV-A00	ACURA
45022-TJB-A01	HONDA
45022-TJB-A03	ACURA
45022-TK8-A00	HONDA
45022-TK8-A01	HONDA
45022-TLA-A50	HONDA
45022-TNY-T00	HONDA
45022-TP6-A00	HONDA
45022-TP6-A61	HONDA
45022-TP6-A62	HONDA



## RB1811



90R-01111/1311



Sumitomo

154.7x58.7x18.5

WVA	FMSI
24342	D1089-7994
25351	D1521-7994
25352	D1521-9176

Sin Filas



Trac.	CC	Kw	CV
-------	----	----	----



Front / Rear

### ACURA

RDX 04.06-12.12						SUV (Luxury Crossover SUV-J Segment)		
2.3 Turbo A las 4 ruedas	Gasolina	FWD	2298	176	239	04.06-12.12	*	
2.3 Turbo (K23A1)	Gasolina	FWD	2300	179	243	04.06-12.12	*	
2.3 Turbo A las 4 ruedas (K23A1)	Gasolina	4WD	2300	179	243	04.06-12.12	*	

### CHANGAN

CS75 II PLUS 09.19-						SUV (Executive SUV-J Segment)		
1.5 (JL476ZQCF)	Gasolina	FWD	1499	131	178	09.19-	*	
2.0 280T (JL486ZQ4)	Gasolina	FWD	1998	171	233	09.19-	*	

### HAVAL

F5 09.18-						SUV ()		
1.5 GDiT (GW4B15,GW4B15A)	Gasolina	FWD	1499	124	169	11.18-	*	
F7 11.18-						SUV ()		
2.0 (GW4C20)	Gasolina	FWD	1967	145	197	11.18-	*	
2.0 Alas 4 ruedas (GW4C20)	Gasolina	4WD	1967	145	197	11.18-	*	
2.0 Alas 4 ruedas (GW4C20B)	Gasolina	4WD	1967	165	224	06.19-	*	

### HONDA

CROSSTOUR 09.09-						[CAMBIADO]:Fastback (Luxury Crossover SUV-J Segment)		
2.4 (K24Y2)	Gasolina	FWD	2354	143	194	09.12-	*	
3.5 4WD (J35Z2)	Gasolina	4WD	3471	202	275	01.12-	*	
3.5 (J35Z2)	Gasolina	FWD	3471	204	277	09.13-	*	
3.5 4WD (J35Y1)	Gasolina	4WD	3471	207	282	09.12-	*	

# LISTA DE APLICACIONES - BUYERS GUIDE

<b>CR-V III (RE_) 06.06-</b>					<b>SUV (Compact SUV-J Segment)</b>			
2.0 i-VTEC 16V 4WD	Gasolina	FWD	1995	110	150	06.06-	*	
2.2 i-CTDi 16V 4WD	Diesel	RWD	2195	103	140	06.06-	*	
<b>CR-V IV (RM_) 01.12-</b>					<b>SUV (Compact SUV-J Segment)</b>			
2.4 i-VTEC (RM1)	Gasolina	FWD	2354	125	170	01.12-	*	
2.4 i-VTEC 4WD (RM4)	Gasolina	4WD	2354	125	170	01.12-	*	
2.4	Gasolina	FWD	2354	132	180	09.13-	*	
2.4 AWD (RM4, RE7) (K24Z6)	Gasolina	4WD	2354	132	180	01.12-12.16	*	
2.4 4WD (K24A1)	Gasolina	4WD	2354	136	185	01.12-12.17	*	
2.4 i-VTEC (K24W9)	Gasolina	FWD	2354	136	185	01.15-12.16	*	
2.4 (RM3, RM1) (K24Z7)	Gasolina	FWD	2354	138	188	01.12-12.16	*	
2.4 4WD (K24Z7)	Gasolina	4WD	2354	138	188	09.12-12.16	*	
2.4 (RM3)	Gasolina	FWD	2354	140	190	09.12-	*	
2.4 AWD (RM4) (K24Z9)	Gasolina	4WD	2354	140	190	01.12-12.18	*	
2.4	Gasolina	FWD	2356	129	175	09.12-	*	
2.4 4WD	Gasolina	4WD	2356	129	175	09.12-	*	
2.4 AWD (K24W)	Gasolina	4WD	2356	136	185	01.15-	*	
2.4 AWD (K24W)	Gasolina	4WD	2356	138	188	09.15-12.18	*	
2.4 i-VTEC Flexfuel (RM1)	Gasol./Etanol	FWD	2354	125	170	01.13-	*	
2.4 i-VTEC Flexfuel 4WD (RM4)	Gasol./Etanol	4WD	2354	125	170	01.13-	*	
1.6 i-DTEC 4WD (RE6) (N16A4)	Diesel	4WD	1597	118	160	02.15-08.18	*	
2.2 i-DTEC 4WD (RE6)	Diesel	4WD	2199	110	150	11.12-05.15	*	
2.2 i-DTEC AWD (RE6) (N22B4)	Diesel	4WD	2199	110	150	10.12-	*	
<b>CR-V V (RW_, RT_) 12.16-</b>					<b>SUV (Compact SUV-J Segment)</b>			
2.0 e-CVT Hybrid AWD (RT6)	Gasol./eléc.	4WD	1993	158	215	02.19-08.23	*	
<b>LAGREAT II 11.01-</b>					<b>MPV (Large MPV-M1 Segment)</b>			
3.5 EXi Vtec (J35A8)	Gasolina	FWD	3471	182	248	09.05-	*	
<b>ODYSSEY II (RL1, RA6, RA_) 09.98-</b>					<b>MPV (Large MPV-M1 Segment)</b>			
2.4 (RA6)	Gasolina	FWD	2354	140	190	10.05-	*	
3.5 (J35A4)	Gasolina	FWD	3471	171	233	07.02-08.04	*	
3.5 (J35A8)	Gasolina	FWD	3471	182	247	09.05-	*	
3.5	Gasolina	FWD	3471	188	256	09.04-09.05	*	
<b>ODYSSEY IV (RL5) 08.10-</b>					<b>MPV (Large MPV-M1 Segment)</b>			
3.5 (J35Z8)	Gasolina	FWD	3471	185	252	08.10-	*	
<b>ODYSSEY V (RC1, RC2, RC4) 12.13-</b>					<b>MPV (Large MPV-M1 Segment)</b>			
2.4 i-VTEC (RC1) (K24W7)	Gasolina	FWD	2356	129	175	12.13-	*	
2.4 i-VTEC 4WD (RC2) (K24W)	Gasolina	4WD	2356	129	175	12.13-	*	
2.4 i-VTEC (RC1)	Gasolina	FWD	2356	136	185	12.13-	*	
2.4 i-VTEC (RC1)	Gasolina	FWD	2356	140	190	12.13-	*	
2.4 i-VTEC 4WD (RC2)	Gasolina	4WD	2356	140	190	12.13-	*	
2.4 i-VTEC Flexfuel (RC1)	Gasol./Etanol	FWD	2356	129	175	12.13-	*	
2.0 Hybrid (RC4, RC5)	Gasol./eléc.	FWD	1993	107	145	02.16-	*	
<b>ODYSSEY III (RL3, RL4, RB) 09.04-12.10</b>					<b>MPV (Large MPV-M1 Segment)</b>			
2.4 (RB3, RB1)	Gasolina	FWD	2354	147	200	09.04-08.08	*	
3.5 (J35A7)	Gasolina	FWD	3471	182	248	09.04-12.10	*	
3.5 EXi Vtec (RL3) (J35A5)	Gasolina	FWD	3471	188	256	09.04-12.10	*	

# LISTA DE APLICACIONES - BUYERS GUIDE

<b>ZR-V 04.23-</b>				<b>SUV (Compact Crossover SUV-C Segment)</b>			
e:HEV (RZ4)	Gasol./el éc.	FWD	1993	135	184	04.23-	*
<b>HONDA (DONGFENG)</b>							
<b>CR-V IV (RM_) 02.12-</b>				<b>Closed SUV (Compact SUV-J Segment)</b>			
2.4	Gasolina	FWD	2354	140	190	02.12-	*
<b>SUBARU</b>							
<b>LEGACY VI (BN) 01.15-</b>				<b>Sedán (Executive car-E Segment)</b>			
2.0 DIT	Gasolina	FWD	1998	177	240	11.15-	*
2.5 i AWD (BN9) (FB25)	Gasolina	4WD	2498	129	175	01.15-	*