

LISTA DE APLICACIONES - BUYERS GUIDE

RB1810

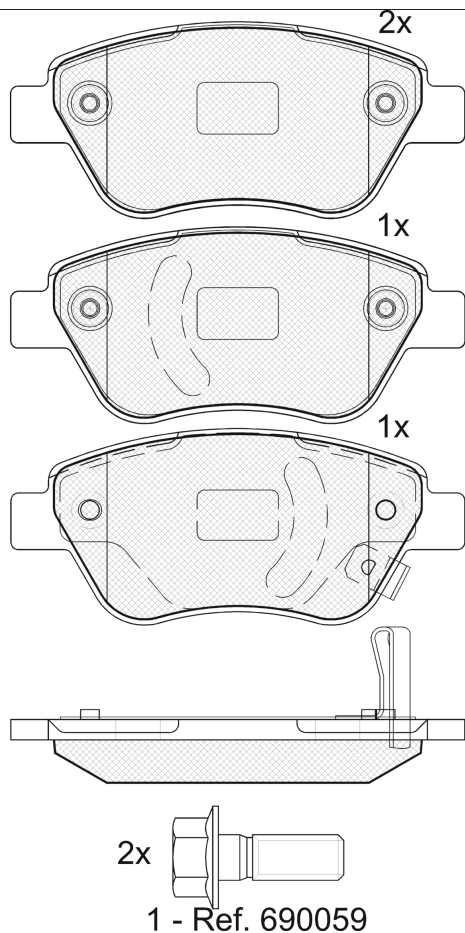


8 424073 134851

Qty: 300

Weight: 1.370

O.E.M.	MAKE
16 05 153	OPEL
16 05 226	OPEL
16 05 258	OPEL
16 05 353	OPEL
16 05 357	OPEL
16 05 359	OPEL
16 05 388	OPEL
1680880580	VAUXHALL
86 6 0004 794	RENAULT
86 71 019 124	RENAULT
93 167 073	OPEL
93 169 174	VAUXHALL
93 169 254	VAUXHALL
93 189 815	VAUXHALL
93 191 697	OPEL
93 191 698	VAUXHALL
95 521 571	OPEL



RB1810

90R-01111/849



Bosch

122.9x53.2x17.8

WVA	FMSI
22298	D1967-9192
22299	
22300	
23705	
23707	

Sin Filas



	Trac.	CC	Kw	CV			Front / Rear
--	-------	----	----	----	--	--	--------------

FIAT

DOBLO (223_) 11.00-	Furgoneta/MPV (LCVs-N1 Segment)						
1.9 JTD (223ZXE1A) (182 B9.000)	Diesel	FWD	1910	74	100	10.01-	*
1.9 JTD (223 A7.000)	Diesel	FWD	1910	77	105	07.03-	*
1.9 JTD (223 B1.000)	Diesel	FWD	1910	77	105	07.03-	*

GERMAN E CARS

CETOS 09.11-	[CAMBIADO]:Fastback ()						
Elektro	Eléctrico	FWD		60	82	09.11-	*

OPEL

ADAM (M13) 10.12-	[CAMBIADO]:Fastback (City car-A Segment)						
1.0 (B 10 XFL)	Gasolina	FWD	999	66	90	07.14-11.18	*
1.0 (D 10 XFL)	Gasolina	FWD	999	66	90	07.14-11.18	*
1.0 (B 10 XFT)	Gasolina	FWD	999	85	115	07.14-11.18	*
1.0 (D 10 XFT)	Gasolina	FWD	999	85	115	07.14-11.18	*
1.2 (A 12 XEL)	Gasolina	FWD	1229	51	69	10.12-05.19	*
1.2 (B 12 XEL)	Gasolina	FWD	1229	51	69	10.12-05.19	*
1.2 (D 12 XEL)	Gasolina	FWD	1229	51	69	10.12-05.19	*
1.4 (A 14 XEL)	Gasolina	FWD	1398	64	87	10.12-05.19	*
1.4 (B 14 XEL)	Gasolina	FWD	1398	64	87	10.12-05.19	*
1.4 (D 14 XEL)	Gasolina	FWD	1398	64	87	10.12-05.19	*
1.4 (A 14 XER)	Gasolina	FWD	1398	74	101	10.12-05.19	*
1.4 (B 14 XER)	Gasolina	FWD	1398	74	101	10.12-05.19	*
1.4 (D 14 XER)	Gasolina	FWD	1398	74	101	10.12-05.19	*

LISTA DE APLICACIONES - BUYERS GUIDE

1.4 LPG (A 14 XEL)		Gasol./Gas (LPG)	FWD	1398	64	87	07.13-11.18	*	
1.4 LPG (B 14 XEL)		Gasol./Gas (LPG)	FWD	1398	64	87	07.13-11.18	*	
1.4 LPG (D 14 XEL)		Gasol./Gas (LPG)	FWD	1398	64	87	07.13-11.18	*	
							[CAMBIADO]:Fastback (Supermini car-B Segment)		
CORSA D (S07) 07.06-									
1.0 (L08, L68) (Z 10 XEP)		Gasolina	FWD	998	44	60	07.06-12.10	*	
1.0 (L08, L68) (A 10 XEP)		Gasolina	FWD	998	48	65	12.09-08.14	*	
1.2 (L08, L68) (A 12 XEL)		Gasolina	FWD	1229	51	69	12.09-08.14	*	
1.2 (L08, L68) (Z 12 XEP)		Gasolina	FWD	1229	59	80	07.06-08.14	*	
1.2 (L08, L68) (A 12 XER)		Gasolina	FWD	1229	63	86	12.09-08.14	*	
1.4 (L08, L68) (Z 14 XEP)		Gasolina	FWD	1364	66	90	07.06-08.14	*	
1.4 (L08, L68) (A 14 XEL)		Gasolina	FWD	1398	64	87	09.09-08.14	*	
1.4 (L08, L68) (A 14 XER)		Gasolina	FWD	1398	74	100	12.09-08.14	*	
1.2 LPG (L08, L68) (Z 12 XEP)		Gasol./Gas (LPG)	FWD	1229	55	75	09.09-12.11	*	
1.2 LPG (L08, L68) (Z 12 XEP)		Gasol./Gas (LPG)	FWD	1229	59	80	08.06-08.14	*	
1.2 LPG (L08, L68) (A 12 XER)		Gasol./Gas (LPG)	FWD	1229	61	83	06.11-08.14	*	
1.2 LPG (L08, L68) (A 12 XER)		Gasol./Gas (LPG)	FWD	1229	63	86	06.11-08.14	*	
1.4 LPG (L08, L68) (Z 14 XEP)		Gasol./Gas (LPG)	FWD	1364	66	90	08.06-12.11	*	
1.4 LPG (L08, L68) (A 14 XEL)		Gasol./Gas (LPG)	FWD	1398	64	87	09.09-08.14	*	
1.3 CDTI (L08, L68) (A 13 DTC)		Diesel	FWD	1248	55	75	07.06-08.14	*	
1.3 CDTI (L08, L68) (Z 13 DTJ)		Diesel	FWD	1248	55	75	07.06-08.14	*	
1.3 CDTI (L08, L68) (Z 13 DTH)		Diesel	FWD	1248	66	90	07.06-06.11	*	
1.3 CDTI (L08, L68) (A 13 DTE)		Diesel	FWD	1248	70	95	06.09-08.14	*	
1.3 CDTI (L08, L68) (A 13 DTR)		Diesel	FWD	1248	70	95	06.09-08.14	*	
1.3 CDTI (L08, L68) (Z 13 DTE)		Diesel	FWD	1248	70	95	06.09-08.14	*	
							Furgón/hatchback (LCVs-N1 Segment)		
CORSA D (S07) 07.06-									
1.0 (L08) (A 10 XEP)		Gasolina	FWD	998	44	60	08.06-08.14	*	
1.0 (L08) (A 10 XEP)		Gasolina	FWD	998	48	65	01.10-08.14	*	
1.2 (L08) (A 12 XEL)		Gasolina	FWD	1229	51	69	01.10-08.14	*	
1.2 (L08) (Z 12 XEP)		Gasolina	FWD	1229	59	80	08.06-08.14	*	
1.2 (L08) (A 12 XER)		Gasolina	FWD	1229	63	86	06.10-08.14	*	
1.4 (L08) (A 14 XER)		Gasolina	FWD	1398	74	101	07.12-08.14	*	
1.3 CDTI (L08) (A 13 DTC)		Diesel	FWD	1248	55	75	07.06-08.14	*	
1.3 CDTI (L08) (Z 13 DTJ)		Diesel	FWD	1248	55	75	07.06-08.14	*	
1.3 CDTI (L08) (A 13 DTE)		Diesel	FWD	1248	70	95	11.09-08.14	*	
1.3 CDTI (L08) (A 13 DTR)		Diesel	FWD	1248	70	95	11.09-08.14	*	
1.3 CDTI (L08) (Z 13 DTE)		Diesel	FWD	1248	70	95	11.09-08.14	*	
VAUXHALL									
							[CAMBIADO]:Fastback (City car-A Segment)		
ADAM (M13) 10.12-									
1.0 (B 10 XFT)		Gasolina	FWD	999	85	116	07.14-11.18	*	
1.0 (D 10 XFT)		Gasolina	FWD	999	85	116	07.14-11.18	*	
1.2 (A 12 XEL)		Gasolina	FWD	1229	51	69	10.12-04.19	*	
1.2 (B 12 XEL)		Gasolina	FWD	1229	51	69	10.12-04.19	*	
1.4 (A 14 XEL)		Gasolina	FWD	1398	64	87	10.12-02.19	*	
1.4 (B 14 XEL)		Gasolina	FWD	1398	64	87	10.12-02.19	*	
1.4 (A 14 XER)		Gasolina	FWD	1398	74	101	10.12-02.19	*	

LISTA DE APLICACIONES - BUYERS GUIDE

1.4 (B 14 XER)	Gasolina	FWD	1398	74	101	10.12-02.19	*
CORSA Mk III (D) (S07) 07.06-08.14				[CAMBIADO]:Fastback (Supermini car-B Segment)			
1.0 (L08) (Z 10 XEP)	Gasolina	FWD	998	44	60	08.06-08.14	*
1.0 i 12V (L08) (A 10 XEP)	Gasolina	FWD	998	48	65	01.10-08.14	*
1.2 (L08) (A 12 XEL)	Gasolina	FWD	1229	51	69	06.10-08.14	*
1.2 (L08) (Z 12 XEP)	Gasolina	FWD	1229	59	80	08.06-08.14	*
1.2 i 16V (L08) (A 12 XER)	Gasolina	FWD	1229	63	86	12.09-08.14	*
1.4 (L08) (Z 14 XEP)	Gasolina	FWD	1364	66	90	08.06-08.14	*
1.4 (L08) (A 14 XER)	Gasolina	FWD	1398	74	101	01.10-08.14	*
1.2 LPG (L08) (Z 12 XEP)	Gasol./Gas (LPG)	FWD	1229	59	80	09.09-08.14	*
1.2 LPG	Gasol./Gas (LPG)	FWD	1229	61	83	06.11-08.14	*
1.2 LPG (L08) (A 12 XER)	Gasol./Gas (LPG)	FWD	1229	63	86	08.11-08.14	*
1.4 LPG (L08) (Z 14 XEP)	Gasol./Gas (LPG)	FWD	1364	66	90	07.06-08.14	*
1.4 LPG	Gasol./Gas (LPG)	FWD	1398	64	87	09.09-08.14	*
1.3 CDTI (L08) (A 13 DTC)	Diesel	FWD	1248	55	75	08.06-08.14	*
1.3 CDTI (L08) (Z 13 DTJ)	Diesel	FWD	1248	55	75	08.06-08.14	*
1.3 CDTI (L08) (Z 13 DTH)	Diesel	FWD	1248	66	90	08.06-08.14	*
1.3 CDTI (L08) (A 13 DTE)	Diesel	FWD	1248	70	95	07.10-08.14	*
1.3 CDTI (L08) (A 13 DTR)	Diesel	FWD	1248	70	95	07.10-08.14	*
1.3 CDTI (L08) (Z 13 DTE)	Diesel	FWD	1248	70	95	07.10-08.14	*
CORSAVAN Mk III (D) (S07) 07.06-				Furgón/hatchback (LCVs-N1 Segment)			
1.2 (A 12 XEL)	Gasolina	FWD	1229	51	69	01.10-	*
1.2 (Z 12 XEP)	Gasolina	FWD	1229	59	80	07.09-	*
1.3 CDTi (A 13 DTC)	Diesel	FWD	1248	55	75	07.06-	*
1.3 CDTi (Z 13 DTJ)	Diesel	FWD	1248	55	75	07.06-	*
1.3 CDTi (Z 13 DTH)	Diesel	FWD	1248	66	90	07.06-	*
1.3 CDTi (A 13 DTE)	Diesel	FWD	1248	70	95	07.06-	*
1.3 CDTi (A 13 DTR)	Diesel	FWD	1248	70	95	07.06-	*
1.3 CDTi (Z 13 DTE)	Diesel	FWD	1248	70	95	07.06-	*