


# LISTA DE APLICACIONES - BUYERS GUIDE

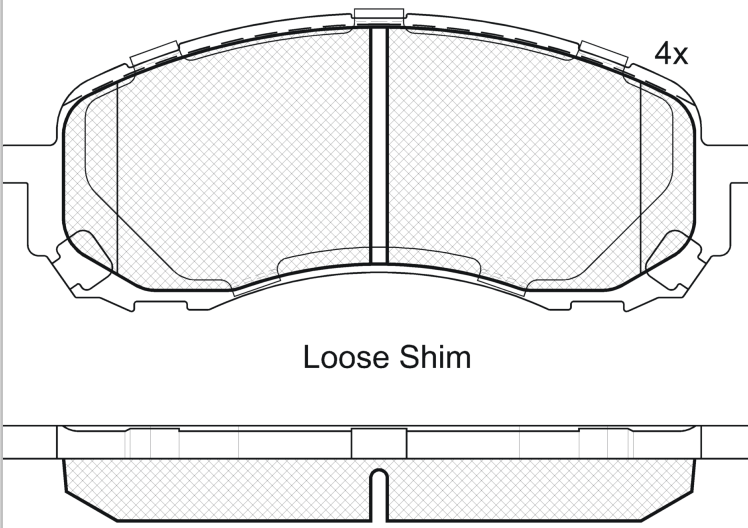
## RB1800



8 424073 134738

Qty: 300      Weight: 1.540

O.E.M.	MAKE
26296-AE190	SUBARU
26296-AE200	SUBARU
26296-FG000	SUBARU




Loose Shim

2x

1 - Ref. 610267 E

## RB1800

E 9 90R-01111/2419





Akebono

137.1x54.05x17.9

WVA	FMSI
24372	D1999-9229

Sin Filas



Trac.	CC	Kw	CV					
						Front / Rear		

### SUBARU

#### FORESTER III (SH\_) 12.07-

						SUV (Compact SUV-J Segment)			
2.0 AWD (SH5) (EJ204)		Gasolina	4WD	1994	110	150	01.08-09.13	*	
2.0 AWD (SHJ) (FB20)		Gasolina	4WD	1995	110	150	01.10-	*	

#### IMPREZA II (GG) 10.00-

						[CAMBIADO]:Break (Compact car-C Segment)			
1.5		Gasolina	FWD	1498	74	101	06.01-08.05	*	
1.5 AWD (GG3) (EL15)		Gasolina	4WD	1498	77	105	05.06-03.07	*	
1.6 (EJ161)		Gasolina	FWD	1597	70	95	10.00-09.06	*	
1.6 AWD (EJ161)		Gasolina	4WD	1597	70	95	12.00-09.06	*	

#### IMPREZA II (GD) 09.99-

						Sedán (Compact car-C Segment)			
1.5 (GD2) (EL15)		Gasolina	FWD	1498	74	101	06.01-09.05	*	
1.5 (GD2) (EL154)		Gasolina	FWD	1498	74	101	06.01-09.05	*	
1.5 AWD (GD3) (EL15)		Gasolina	4WD	1498	77	105	05.06-03.07	*	
1.5 (GDC) (EL15)		Gasolina	FWD	1498	81	110	10.05-03.07	*	
1.5 AWD (GDD) (EL15)		Gasolina	4WD	1498	81	110	10.05-03.07	*	
1.6 (EJ16)		Gasolina	FWD	1597	70	95	06.01-09.06	*	
1.6 (EJ161)		Gasolina	FWD	1597	70	95	06.01-09.06	*	
1.6 AWD (GD5) (EJ161)		Gasolina	4WD	1597	70	95	12.00-06.09	*	

#### IMPREZA III (GR, GH, G3) 03.07-

						[CAMBIADO]:Fastback (Compact car-C Segment)			
1.5 F (GH2) (EL15)		Gasolina	FWD	1498	79	107	09.07-03.12	*	

#### IMPREZA III (GE, GV) 01.07-

						Sedán (Compact car-C Segment)			
1.5 (GE2) (EL15)		Gasolina	FWD	1498	79	107	02.08-	*	

# LISTA DE APLICACIONES - BUYERS GUIDE

<b>LEGACY IV / LIBERTY (BP) 09.03-12.09</b>					<b>[CAMBIADO]:Break (Executive car-E Segment)</b>			
2.5 i AWD (BP9) (EJ25)	Gasolina	4WD	2457	127	173	01.08-12.09	*	
<b>LEGACY V / LIBERTY (BR) 06.08-12.14</b>					<b>[CAMBIADO]:Break (Executive car-E Segment)</b>			
2.0 i AWD (EJ204)	Gasolina	4WD	1994	110	150	09.09-12.14	*	
2.0 i AWD (BRJ) (FB20)	Gasolina	4WD	1995	110	150	06.12-12.14	*	
2.5 i AWD (BR9) (EJ253)	Gasolina	4WD	2457	123	167	09.09-12.14	*	
2.0 D AWD (BRD) (EE20Z)	Diesel	4WD	1998	110	150	09.09-12.14	*	
<b>LEGACY V / LIBERTY (BM) 05.09-</b>					<b>Sedán (Executive car-E Segment)</b>			
2.5 i AWD (BM9) (EJ253)	Gasolina	4WD	2457	123	167	09.09-12.14	*	
<b>OUTBACK III (BP) 09.03-06.10</b>					<b>[CAMBIADO]:Break (Executive car-E Segment)</b>			
2.5 AWD (BP9) (EJ251)	Gasolina	4WD	2457	127	173	09.08-09.09	*	
2.5	Gasolina	FWD	2457	186	253	01.05-12.09	*	
<b>OUTBACK IV (BR) 06.09-</b>					<b>[CAMBIADO]:Break (Executive car-E Segment)</b>			
2.5 i AWD (BR9) (EJ253)	Gasolina	4WD	2457	123	167	09.09-	*	
2.5 i AWD (EJ25)	Gasolina	4WD	2457	125	170	05.09-12.14	*	
2.5 i	Gasolina	FWD	2457	127	173	01.12-	*	
2.5 i AWD (BRM) (FB25B)	Gasolina	4WD	2498	127	173	01.13-	*	
2.0 D AWD	Diesel	4WD	1998	108	147	01.13-	*	