

LISTA DE APLICACIONES - BUYERS GUIDE

RB1780

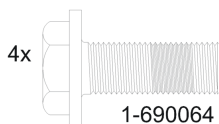
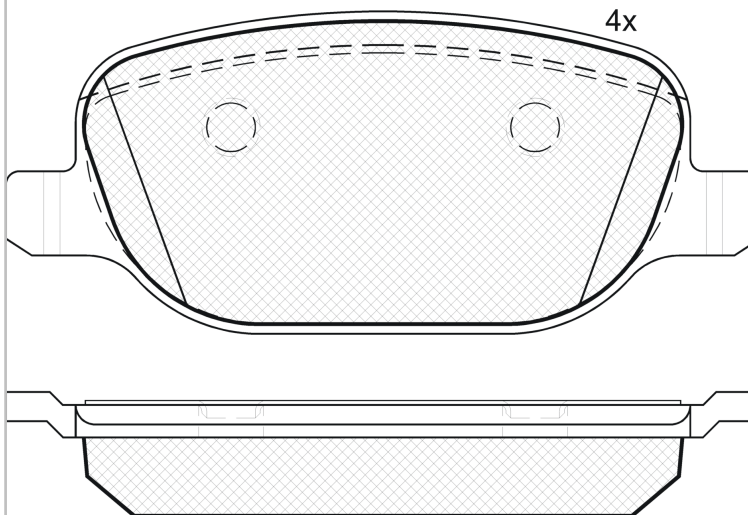


8 424073 134523

Qty: 944

Weight: 1.235

O.E.M.	MAKE
7 177 222 3	ALFA ROMEO
7 736 227 3	ALFA ROMEO
7 736 357 9	ALFA ROMEO
7 736 358 0	ALFA ROMEO
7 736 381 8	ALFA ROMEO
7 736 381 9	ALFA ROMEO
7 736 427 3	ALFA ROMEO
7 736 556 0	LANCIA
9 949 203	LANCIA



RB1780

E 9 90R-01110/605



Lucas - Girling

116.65x49.9x17.8

WVA

23760

23811

Sin Filas



Trac.	CC	Kw	CV
-------	----	----	----



Front / Rear

ALFA ROMEO

							Sedán (Compact executive car-D Segment)				
159 (939_) 06.05-12.12											
1.8 Tbi (939.AXN1B) (939 B1.000)			Gasolina	FWD	1742	147	200	05.09-12.12		*	
1.8 MPI (939AXL1A) (939 A4.000)			Gasolina	FWD	1796	103	140	06.05-11.11		*	
1.9 JTS (939AXA1B) (939 A6.000)			Gasolina	FWD	1859	118	160	09.05-11.11		*	
2.2 JTS (939AXB1B, 939AXB11) (939 A5.000)			Gasolina	FWD	2198	136	185	09.05-11.11		*	
3.2 JTS (939AXG2B) (939 A.000)			Gasolina	FWD	3195	191	260	01.08-11.11		*	
3.2 JTS Q4 (939AXH1B, 939AXG22) (939 A.000)			Gasolina	4WD	3195	191	260	12.05-11.11		*	
1.9 JTDM 8V (939AXE1B, 939BXE1B, 939BXH1B) (937 A7.000)			Diesel	FWD	1910	85	115	09.05-11.11		*	
1.9 JTDM 8V (939AXE1B, 939BXE1B, 939BXH1B) (939 A7.000)			Diesel	FWD	1910	85	115	09.05-11.11		*	
1.9 JTDM 8V (939AXE1B) (939 A1.000)			Diesel	FWD	1910	88	120	09.05-11.11		*	
1.9 JTDM 16V (939AXF1B, 939AXC1B) (937 A8.000)			Diesel	FWD	1910	100	136	09.05-11.11		*	
1.9 JTDM 16V (939AXF1B, 939AXC1B) (939 A8.000)			Diesel	FWD	1910	100	136	09.05-11.11		*	
1.9 JTDM 16V (939AXC1B, 939AXC12) (939 A2.000)			Diesel	FWD	1910	110	150	09.05-11.11		*	
2.0 JTDM (939AXR1B) (939 B4.000)			Diesel	FWD	1956	100	136	06.10-11.11		*	
2.0 JTDM (939AXQ1B) (844 A2.000)			Diesel	FWD	1956	120	163	05.09-11.11		*	
2.0 JTDM (939AXP1B) (939 B3.000)			Diesel	FWD	1956	125	170	05.09-11.11		*	
2.4 JTDM (939AXD12, 939AXD1B) (939 A3.000)			Diesel	FWD	2387	147	200	09.05-11.11		*	
2.4 JTDM (939AXD) (939 A9.000)			Diesel	FWD	2387	154	210	07.07-11.11		*	
2.4 JTDM Q4 (939AXMB2) (939 A9.000)			Diesel	4WD	2387	154	210	05.07-11.11		*	
159 Sport Wagon (939_) 06.05-12.12							[CAMBIADO]:Break (Compact executive car-D Segment)				
1.8 Tbi (939BXN1B) (939 B1.000)			Gasolina	FWD	1742	147	200	07.09-11.11		*	

LISTA DE APLICACIONES - BUYERS GUIDE

1.8 MPI (939BXL1A) (939 A4.000)		Gasolina	FWD	1796	103	140	06.05-11.11	*	
1.9 JTS (939BXA1B) (939 A6.000)		Gasolina	FWD	1859	118	160	03.06-11.11	*	
2.2 JTS (939BXB1B, 939BXB11) (939 A5.000)		Gasolina	FWD	2198	136	185	03.06-11.11	*	
3.2 JTS (939BXH1B) (939 A.000)		Gasolina	FWD	3195	191	260	02.08-11.11	*	
3.2 JTS Q4 (939BXG2B, 939BXG22) (939 A.000)		Gasolina	4WD	3195	191	260	03.06-11.11	*	
1.9 JTDM 8V (939AXH1B, 939BXH1B) (937 A7.000)		Diesel	FWD	1910	85	115	03.06-11.11	*	
1.9 JTDM 8V (939BXE1B) (939 A1.000)		Diesel	FWD	1910	88	120	03.06-11.11	*	
1.9 JTDM 16V (939BXC1B) (937 A8.000)		Diesel	FWD	1910	100	136	03.06-11.11	*	
1.9 JTDM 16V (939BXC1B, 939BXC12) (939 A2.000)		Diesel	FWD	1910	110	150	03.06-11.11	*	
2.0 JTDM (939BXR1B) (939 B4.000)		Diesel	FWD	1956	100	136	06.10-11.11	*	
2.0 JTDM (939BXQ1B) (844 A2.000)		Diesel	FWD	1956	120	163	05.09-11.11	*	
2.0 JTDM (939BXP1B) (939 B3.000)		Diesel	FWD	1956	125	170	07.09-11.11	*	
2.4 JTDM (939BXD1B, 939BXD12) (939 A3.000)		Diesel	FWD	2387	147	200	03.06-11.11	*	
2.4 JTDM (939.BXM1B) (939 A9.000)		Diesel	FWD	2387	154	210	05.07-12.12	*	
2.4 JTDM Q4 (939BXM2B) (939 A9.000)		Diesel	4WD	2387	154	210	05.07-11.11	*	
BRERA (939_) 01.06-05.11					[CAMBIADO]:Fastback (Sports car-S Segment)				
1.8 TBi (939DXN1B) (939 B1.000)		Gasolina	FWD	1742	147	200	05.09-06.10	*	
2.2 JTS (939.DXB11) (939 A5.000)		Gasolina	FWD	2198	136	185	01.06-05.11	*	
3.2 JTS (939DXG2B, 939DXG1B) (939 A.000)		Gasolina	FWD	3195	191	260	03.08-06.10	*	
3.2 JTS Q4 (939.DXG22) (939 A.000)		Gasolina	4WD	3195	191	260	01.06-05.11	*	
2.0 JTDM (939DXQ1B) (844 A2.000)		Diesel	FWD	1956	120	163	03.08-06.10	*	
2.0 JTDM (939DXP1B) (939 B3.000)		Diesel	FWD	1956	125	170	05.09-06.10	*	
2.4 JTDM 20V (939DXD1B, 939DXM1B) (939 A3.000)		Diesel	FWD	2387	147	200	01.06-03.11	*	
2.4 JTDM 20V (939DXD1B, 939DXM1B) (939 A9.000)		Diesel	FWD	2387	154	210	05.07-03.11	*	
SPIDER V (939_) 03.06-03.11					Cabrió (Sports car-S Segment)				
1.8 TBi (939DXN1B) (939 B1.000)		Gasolina	FWD	1742	147	200	05.09-03.11	*	
2.2 JTS (939EXB1B, 939EXB11) (939 A5.000)		Gasolina	FWD	2198	136	185	03.06-03.11	*	
3.2 JTS (939EXG2B) (939 A.000)		Gasolina	FWD	3195	191	260	03.08-03.11	*	
3.2 JTS Q4 (939EXG2B, 939EXG22) (939 A.000)		Gasolina	4WD	3195	191	260	03.06-03.11	*	
2.0 JTDM (939DXQ1B) (844 A2.000)		Diesel	FWD	1956	120	163	04.09-03.11	*	
2.0 JTDM (939DXP1B, 939EXP1B) (939 B3.000)		Diesel	FWD	1956	125	170	05.09-06.10	*	
2.4 JTDM (939EXD1B, 939EXD12) (939 A3.000)		Diesel	FWD	2387	147	200	03.06-03.11	*	
2.4 JTDM (939DXM1B, 939EXM1B) (939 A3.000)		Diesel	FWD	2387	154	210	03.08-03.11	*	
LANCIA									
DELTA III (844_) 08.08-08.14					[CAMBIADO]:Fastback (Compact car-C Segment)				
1.8 (844.AXH12) (939 B1.000)		Gasolina	FWD	1742	147	200	01.09-08.14	*	
THESIS (841_) 07.02-07.09					Sedán (Executive car-E Segment)				
2.0 Turbo (841AXA1B03) (841 E.000)		Gasolina	FWD	1998	136	185	07.02-07.09	*	
2.4 (841AXB1B00) (841 D.000)		Gasolina	FWD	2446	125	170	07.02-07.09	*	
3.0 V6 (841AXC1101) (841 A.000)		Gasolina	FWD	2959	158	215	07.02-07.09	*	
3.2 V6 (841.AXF110) (841 L.000)		Gasolina	FWD	3179	169	230	05.03-07.09	*	
2.4 JTD (841AXD1B02) (841 C.000)		Diesel	FWD	2387	110	150	07.02-07.09	*	
2.4 JTD (841.AXE1B0, 841.AXH110) (841 M.000)		Diesel	FWD	2387	120	163	09.03-07.09	*	
2.4 JTD (841.AXE1B0, 841.AXH110) (841 N.000)		Diesel	FWD	2387	120	163	09.03-07.09	*	
2.4 JTD (841.AXE1B0, 841.AXH110) (841 G.000)		Diesel	FWD	2387	129	175	05.03-07.09	*	
2.4 D Multijet (841.AXN111, 841.AXH110) (841 P.000)		Diesel	FWD	2387	136	185	04.06-07.09	*	