

LISTA DE APLICACIONES - BUYERS GUIDE

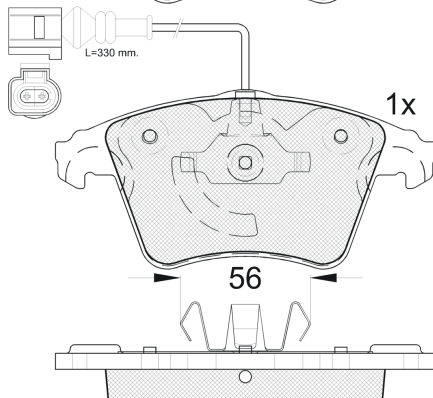
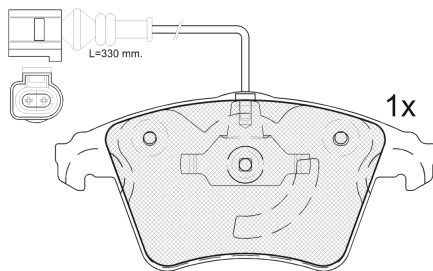
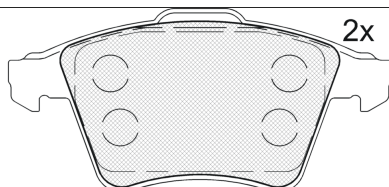
RB1777



Qty: 300

Weight: 2.396

| O.E.M. | MAKE |
|---------------|------|
| 7L6 698 151 B | VW |



RB1777

E 9 90R-01111/2254



Ate - Teves

| |
|------------------|
| 155.1x73.3x19.8 |
| 156.3x74.95x19.8 |

| WVA |
|-------|
| 23467 |
| 23747 |
| 23749 |
| 23835 |

Sin Filas



| Trac. | CC | Kw | CV |
|-------|----|----|----|
|-------|----|----|----|



Front / Rear

VW

| TOUAREG (7LA, 7L6, 7L7) 10.02-12.13 | | | | | | | SUV (Luxury Crossover SUV-J Segment) | | |
|-------------------------------------|--|----------|-----|------|-----|-----|--------------------------------------|---|--|
| 3.2 V6 (AZZ) | | Gasolina | 4WD | 3189 | 162 | 220 | 10.02-11.06 | * | |
| 3.2 V6 (BAA) | | Gasolina | 4WD | 3189 | 162 | 220 | 10.02-11.06 | * | |
| 3.2 V6 (BKJ) | | Gasolina | 4WD | 3189 | 162 | 220 | 10.02-11.06 | * | |
| 3.2 V6 (BMV) | | Gasolina | 4WD | 3189 | 162 | 220 | 10.02-11.06 | * | |
| 3.2 V6 (BMX) | | Gasolina | 4WD | 3189 | 162 | 220 | 10.02-11.06 | * | |
| 3.2 V6 (BRJ) | | Gasolina | 4WD | 3189 | 162 | 220 | 10.02-11.06 | * | |
| 3.2 V6 (BMV) | | Gasolina | 4WD | 3189 | 177 | 241 | 11.04-11.06 | * | |
| 3.6 V6 FSI (BHK) | | Gasolina | 4WD | 3597 | 206 | 280 | 10.05-05.10 | * | |
| 3.6 V6 FSI (BHL) | | Gasolina | 4WD | 3597 | 206 | 280 | 10.05-05.10 | * | |
| 4.2 V8 FSI (BAR) | | Gasolina | 4WD | 4163 | 257 | 350 | 06.06-05.10 | * | |
| 4.2 V8 (AXQ) | | Gasolina | 4WD | 4172 | 228 | 310 | 12.02-11.06 | * | |
| 6.0 W12 (BJN) | | Gasolina | 4WD | 5998 | 331 | 450 | 08.04-05.10 | * | |
| 6.0 W12 (CFRA) | | Gasolina | 4WD | 5998 | 331 | 450 | 08.04-05.10 | * | |
| 2.5 R5 TDI (BLK) | | Diesel | 4WD | 2461 | 120 | 163 | 08.03-05.10 | * | |
| 2.5 R5 TDI (BPD) | | Diesel | 4WD | 2461 | 120 | 163 | 08.03-05.10 | * | |
| 2.5 R5 TDI (BAC) | | Diesel | 4WD | 2461 | 128 | 174 | 01.03-05.10 | * | |
| 2.5 R5 TDI (BPE) | | Diesel | 4WD | 2461 | 128 | 174 | 01.03-05.10 | * | |
| 3.0 TDI (BUN) | | Diesel | 4WD | 2967 | 155 | 211 | 04.06-05.10 | * | |
| 3.0 TDI (CASB) | | Diesel | 4WD | 2967 | 155 | 211 | 04.06-05.10 | * | |
| 3.0 V6 TDI (BKS) | | Diesel | 4WD | 2967 | 165 | 225 | 11.04-05.10 | * | |
| 3.0 V6 TDI (CATA) | | Diesel | 4WD | 2967 | 165 | 225 | 11.04-05.10 | * | |
| 3.0 V6 TDI (CASA) | | Diesel | 4WD | 2967 | 176 | 240 | 11.07-05.10 | * | |
| 3.0 V6 TDI (CASC) | | Diesel | 4WD | 2967 | 176 | 240 | 11.07-05.10 | * | |

LISTA DE APLICACIONES - BUYERS GUIDE

| | | | | | | | | |
|--------------------|--|--------|-----|------|-----|-----|-------------|---|
| 5.0 V10 TDI (AYH) | | Diesel | 4WD | 4921 | 230 | 313 | 10.02-05.10 | * |
| 5.0 V10 TDI (BKW) | | Diesel | 4WD | 4921 | 230 | 313 | 10.02-05.10 | * |
| 5.0 V10 TDI (BLE) | | Diesel | 4WD | 4921 | 230 | 313 | 10.02-05.10 | * |
| 5.0 V10 TDI (BWF) | | Diesel | 4WD | 4921 | 230 | 313 | 10.02-05.10 | * |
| 5.0 R50 TDI (CBWA) | | Diesel | 4WD | 4921 | 257 | 350 | 08.07-05.10 | * |