

LISTA DE APLICACIONES - BUYERS GUIDE

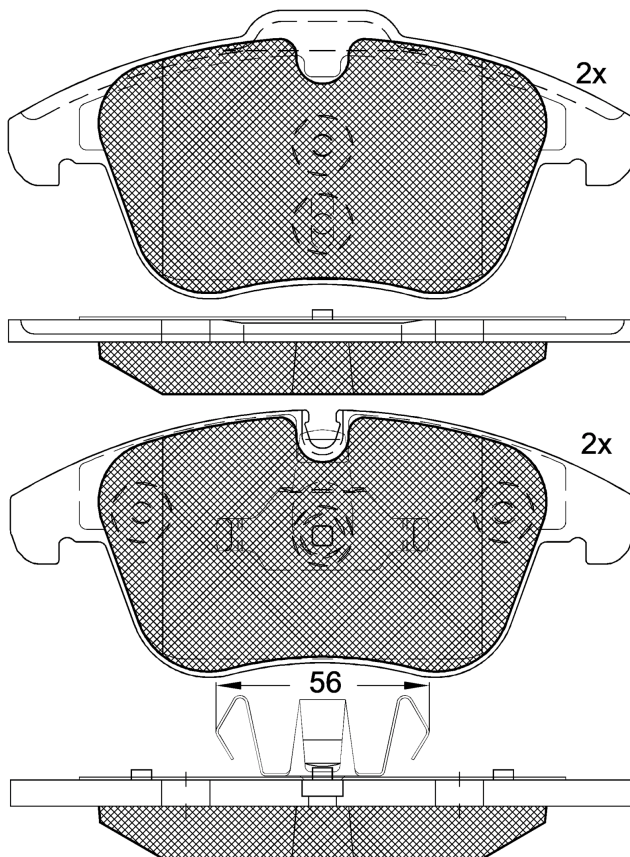
**RB1775-203**



Qty: 300

Weight: 2.160

O.E.M.	MAKE
C2D 48652	JAGUAR
T4N13433	JAGUAR
T4N37210	JAGUAR
T4N9759	JAGUAR



**RB1775-203**

E 9 90R-02A0111/2296



Ate - Teves

155.2x66x20.2
156.4x71.75x20.2

WVA	FMSI
22272	D1869-8421
24124	

Sin Filas



Trac.	CC	Kw	CV
-------	----	----	----



Front / Rear

**JAGUAR**

XE (X760) 03.15-						Sedán (Compact car-C Segment)			
2.0 (PT204)	Gasolina	RWD	1997	147	200	02.17-			*
2.0 (PT204)	Gasolina	RWD	1997	184	250	02.17-			*
2.0 AWD (PT204)	Gasolina	4WD	1997	184	250	02.17-			*
2.0 (204PT)	Gasolina	RWD	1999	147	200	03.15-			*
2.0	Gasolina	RWD	1999	147	200	03.15-			*
2.0 (204PT)	Gasolina	RWD	1999	177	241	03.15-			*
3.0S (306PS)	Gasolina	RWD	2995	250	340	03.15-			*
2.0 D (204DTD)	Diesel	RWD	1999	120	163	03.15-			*
2.0 D (204DTD)	Diesel	RWD	1999	132	180	03.15-			*
2.0 D AWD (204DTD)	Diesel	4WD	1999	132	180	10.15-			*
2.0 D AWD (204DTA)	Diesel	4WD	1999	177	241	02.17-			*
XF (X250) 03.08-04.15						Sedán (Luxury car-F Segment)			
2.0 (204PT)	Gasolina	RWD	1999	177	241	06.12-04.15			*
4.2 (SV82G)	Gasolina	RWD	4196	219	298	03.08-04.15			*
XF II SPORTBRAKE (X250) 09.12-12.15						[CAMBIADO]:Break (Luxury car-F Segment)			
2.0 T (204PT)	Gasolina	RWD	1999	177	240	08.13-12.15			*