

LISTA DE APLICACIONES - BUYERS GUIDE

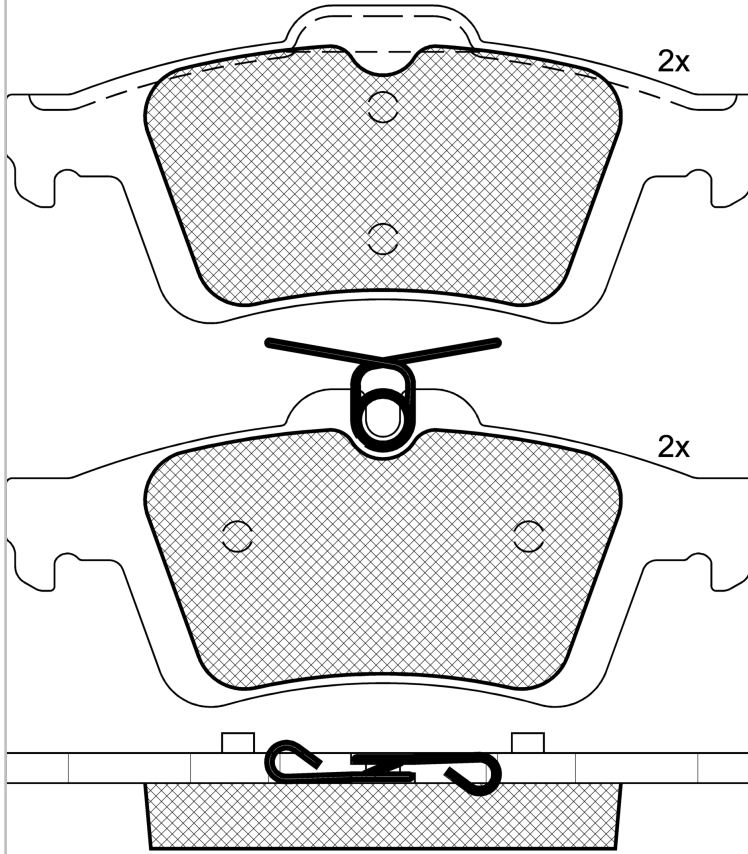
RB1744-396



Qty: 944

Weight: 940

O.E.M.	MAKE
1 360 306	FORD
3 073 661 0	VOLVO



RB1744-396



E 9 90R-01110/1384

Ate - Teves

123.1x51.9x15.7

WVA
25212
25213

Sin Filas



Trac.	CC	Kw	CV
-------	----	----	----



Front / Rear

FORD

C-MAX (DM2) 02.07-09.10

MPV (Compact MPV-M1 Segment)

1.6 (HWDA)	Gasolina	FWD	1596	74	100	02.07-09.10	*
1.6 (HWDB)	Gasolina	FWD	1596	74	100	02.07-09.10	*
1.6 (SHDA)	Gasolina	FWD	1596	74	100	02.07-09.10	*
1.6 (SHDB)	Gasolina	FWD	1596	74	100	02.07-09.10	*
1.6 (SHDC)	Gasolina	FWD	1596	74	100	02.07-09.10	*
1.6 (HXDA)	Gasolina	FWD	1596	85	116	04.07-09.10	*
1.6 (HXDB)	Gasolina	FWD	1596	85	116	04.07-09.10	*
1.6 (SIDA)	Gasolina	FWD	1596	85	116	04.07-09.10	*
1.8 (QQDC)	Gasolina	FWD	1798	90	122	02.07-09.10	*
1.8 (QQDA)	Gasolina	FWD	1798	92	125	02.07-09.10	*
1.8 (QQDB)	Gasolina	FWD	1798	92	125	02.07-09.10	*
2.0 (AODA)	Gasolina	FWD	1999	107	145	02.07-09.10	*
2.0 (AODB)	Gasolina	FWD	1999	107	145	02.07-09.10	*
2.0 (AODE)	Gasolina	FWD	1999	107	145	02.07-09.10	*
2.0 (SYDA)	Gasolina	FWD	1999	107	145	02.07-09.10	*
2.0 LPG (SYDA)	Gasol./Gas (LPG)	FWD	1999	107	145	06.08-09.10	*
2.0 CNG (SYDA)	Gasol./Gas (CNG)	FWD	1999	107	145	04.09-09.10	*
1.8 Flexifuel (Q7DA)	Gasol./Etanol	FWD	1798	92	125	02.07-09.10	*
1.6 TDCi (GPDA)	Diesel	FWD	1560	66	90	02.07-09.10	*
1.6 TDCi (HHDA)	Diesel	FWD	1560	66	90	02.07-09.10	*
1.6 TDCi (HHDB)	Diesel	FWD	1560	66	90	02.07-09.10	*

LISTA DE APLICACIONES - BUYERS GUIDE

1.6 TDCi (G8DC)		Diesel	FWD	1560	74	101	02.07-09.10	*
1.6 TDCi (MTDA)		Diesel	FWD	1560	74	101	02.07-09.10	*
1.6 TDCi (G8DA)		Diesel	FWD	1560	80	109	02.07-09.10	*
1.6 TDCi (G8DB)		Diesel	FWD	1560	80	109	02.07-09.10	*
1.6 TDCi (G8DD)		Diesel	FWD	1560	80	109	02.07-09.10	*
1.8 TDCi (KKDA)		Diesel	FWD	1753	85	115	02.07-09.10	*
1.8 TDCi (KKDB)		Diesel	FWD	1753	85	115	02.07-09.10	*
2.0 TDCi (IXDA)		Diesel	FWD	1997	81	110	02.08-09.10	*
2.0 TDCi (G6DC)		Diesel	FWD	1997	98	133	02.07-09.10	*
2.0 TDCi (G6DE)		Diesel	FWD	1997	98	133	02.07-09.10	*
2.0 TDCi (G6DF)		Diesel	FWD	1997	98	133	02.07-09.10	*
2.0 TDCi (G6DA)		Diesel	FWD	1997	100	136	02.07-09.10	*
2.0 TDCi (G6DB)		Diesel	FWD	1997	100	136	02.07-09.10	*
2.0 TDCi (G6DD)		Diesel	FWD	1997	100	136	02.07-09.10	*
2.0 TDCi (G6DG)		Diesel	FWD	1997	100	136	02.07-09.10	*
C-MAX II 10.10-							Furgoneta/MPV (LCVs-N1 Segment)	
1.0 EcoBoost (M2DA)		Gasolina	FWD	998	74	100	10.12-06.19	*
1.0 EcoBoost (M2DC)		Gasolina	FWD	998	74	100	10.12-06.19	*
1.0 EcoBoost (B7DA)		Gasolina	FWD	998	92	125	10.12-06.19	*
1.0 EcoBoost (M1DA)		Gasolina	FWD	998	92	125	10.12-06.19	*
1.0 EcoBoost (M1DD)		Gasolina	FWD	998	92	125	10.12-06.19	*
1.5 EcoBoost (M8DB)		Gasolina	FWD	1498	110	150	03.15-06.19	*
1.5 EcoBoost (M9DB)		Gasolina	FWD	1498	134	182	03.15-06.19	*
1.6 EcoBoost (JQDA)		Gasolina	FWD	1596	110	150	12.10-06.19	*
1.6 EcoBoost (JQDB)		Gasolina	FWD	1596	110	150	12.10-06.19	*
1.5 TDCi ECOnetic (AEDA)		Diesel	FWD	1499	77	105	03.15-06.19	*
1.5 TDCi (XWDA)		Diesel	FWD	1499	88	120	03.15-06.19	*
1.5 TDCi (XWDB)		Diesel	FWD	1499	88	120	03.15-06.19	*
1.5 TDCi (XWDC)		Diesel	FWD	1499	88	120	03.15-06.19	*
1.5 TDCi (XWDD)		Diesel	FWD	1499	88	120	03.15-06.19	*
1.5 TDCi (XWDE)		Diesel	FWD	1499	88	120	03.15-06.19	*
1.6 TDCi (T3DA)		Diesel	FWD	1560	70	95	12.10-06.19	*
1.6 TDCi (T3DB)		Diesel	FWD	1560	70	95	12.10-06.19	*
1.6 TDCi (T1DA)		Diesel	FWD	1560	85	115	12.10-06.19	*
1.6 TDCi (T1DB)		Diesel	FWD	1560	85	115	12.10-06.19	*
2.0 TDCi (TYDA)		Diesel	FWD	1997	85	115	02.11-06.19	*
2.0 TDCi (UFDB)		Diesel	FWD	1997	103	140	02.11-06.19	*
2.0 TDCi (T7DB)		Diesel	FWD	1997	110	150	03.15-06.19	*
2.0 TDCi (T7DC)		Diesel	FWD	1997	110	150	03.15-06.19	*
2.0 TDCi (TXDB)		Diesel	FWD	1997	120	163	12.10-06.19	*
2.0 TDCi (T8DE)		Diesel	FWD	1997	125	170	03.15-06.19	*
C-MAX II (DXA/CB7, DXA/CEU) 04.10-							MPV (Compact MPV-M1 Segment)	
1.0 EcoBoost (M2DA)		Gasolina	FWD	998	74	100	10.12-06.19	*
1.0 EcoBoost (M2DC)		Gasolina	FWD	998	74	100	10.12-06.19	*
1.0 EcoBoost (B7DA)		Gasolina	FWD	998	92	125	10.12-06.19	*
1.0 EcoBoost (M1DA)		Gasolina	FWD	998	92	125	10.12-06.19	*
1.0 EcoBoost (M1DD)		Gasolina	FWD	998	92	125	10.12-06.19	*
1.5 EcoBoost (M8DB)		Gasolina	FWD	1498	110	150	03.15-06.19	*
1.5 EcoBoost (M9DB)		Gasolina	FWD	1498	134	182	03.15-06.19	*
1.6 Ti (XTDA)		Gasolina	FWD	1596	63	85	12.10-06.19	*
1.6 Ti (XTDB)		Gasolina	FWD	1596	63	85	12.10-06.19	*

LISTA DE APLICACIONES - BUYERS GUIDE

1.6 Ti (IQDA)		Gasolina	FWD	1596	77	105	12.10-06.19	*
1.6 Ti (IQDB)		Gasolina	FWD	1596	77	105	12.10-06.19	*
1.6 Ti (MUDA)		Gasolina	FWD	1596	88	120	02.12-06.19	*
1.6 Ti (MUDD)		Gasolina	FWD	1596	88	120	02.12-06.19	*
1.6 Ti (PNDA)		Gasolina	FWD	1596	92	125	12.10-06.19	*
1.6 Ti (PNDD)		Gasolina	FWD	1596	92	125	12.10-06.19	*
1.6 EcoBoost (JQDA)		Gasolina	FWD	1596	110	150	12.10-06.19	*
1.6 EcoBoost (JQDB)		Gasolina	FWD	1596	110	150	12.10-06.19	*
1.6 EcoBoost (JTDA)		Gasolina	FWD	1596	134	182	12.10-06.19	*
1.6 EcoBoost (JTDB)		Gasolina	FWD	1596	134	182	12.10-06.19	*
1.6 LPG (MUDA)		Gasol./Gas (LPG)	FWD	1596	86	117	02.12-06.19	*
1.6 LPG (MUDD)		Gasol./Gas (LPG)	FWD	1596	86	117	02.12-06.19	*
1.6 LPG (MUDA)		Gasol./Gas (LPG)	FWD	1596	88	120	02.12-06.19	*
1.6 LPG (MUDD)		Gasol./Gas (LPG)	FWD	1596	88	120	02.12-06.19	*
1.6 CNG (MUDA)		Gasol./Gas (CNG)	FWD	1596	86	117	01.13-12.14	*
1.6 Flexifuel (MUDA)		Gasol./Etanol	FWD	1596	88	120	02.11-06.19	*
1.6 Flexifuel (MUDD)		Gasol./Etanol	FWD	1596	88	120	02.11-06.19	*
2.0 Energi (UADA)		Gasol./eléc.	FWD	1999	103	140	01.15-06.19	*
2.0 Energi (UADA)		Gasol./eléc.	FWD	1999	136	185	01.15-06.19	*
1.5 TDCi (XXDA)		Diesel	FWD	1499	70	95	03.15-06.19	*
1.5 TDCi (XXDC)		Diesel	FWD	1499	70	95	03.15-06.19	*
1.5 TDCi (XXDD)		Diesel	FWD	1499	70	95	03.15-06.19	*
1.5 TDCi ECOnetic (AEDA)		Diesel	FWD	1499	77	105	03.15-06.19	*
1.5 TDCi (XWDA)		Diesel	FWD	1499	88	120	03.15-06.19	*
1.5 TDCi (XWDB)		Diesel	FWD	1499	88	120	03.15-06.19	*
1.5 TDCi (XWDC)		Diesel	FWD	1499	88	120	03.15-06.19	*
1.5 TDCi (XWDD)		Diesel	FWD	1499	88	120	03.15-06.19	*
1.5 TDCi (XWDE)		Diesel	FWD	1499	88	120	03.15-06.19	*
1.6 TDCi (T3DA)		Diesel	FWD	1560	70	95	12.10-06.19	*
1.6 TDCi (T3DB)		Diesel	FWD	1560	70	95	12.10-06.19	*
1.6 TDCi (T1DA)		Diesel	FWD	1560	85	115	12.10-06.19	*
1.6 TDCi (T1DB)		Diesel	FWD	1560	85	115	12.10-06.19	*
2.0 TDCi (TYDA)		Diesel	FWD	1997	85	115	02.11-06.19	*
2.0 TDCi (UKDB)		Diesel	FWD	1997	100	136	02.11-06.19	*
2.0 TDCi (UFDB)		Diesel	FWD	1997	103	140	04.10-06.19	*
2.0 TDCi (T7DB)		Diesel	FWD	1997	110	150	03.15-06.19	*
2.0 TDCi (T7DC)		Diesel	FWD	1997	110	150	03.15-06.19	*
2.0 TDCi (T7DD)		Diesel	FWD	1997	110	150	03.15-06.19	*
2.0 TDCi (TXDB)		Diesel	FWD	1997	120	163	12.10-06.19	*
2.0 TDCi (T8DE)		Diesel	FWD	1997	125	170	03.15-06.19	*
FOCUS II (DA_, HCP, DP) 07.04-09.13							[CAMBIADO]:Fastback (Compact car-C Segment)	
1.4 (ASDA)		Gasolina	FWD	1388	59	80	07.04-09.12	*
1.4 (ASDB)		Gasolina	FWD	1388	59	80	07.04-09.12	*
1.6 (HWDA)		Gasolina	FWD	1596	74	100	07.04-09.12	*
1.6 (HWDB)		Gasolina	FWD	1596	74	100	07.04-09.12	*
1.6 (SHDA)		Gasolina	FWD	1596	74	100	07.04-09.12	*

LISTA DE APLICACIONES - BUYERS GUIDE

1.6 (SHDB)		Gasolina	FWD	1596	74	100	07.04-09.12	*
1.6 (SHDC)		Gasolina	FWD	1596	74	100	07.04-09.12	*
1.6 Ti (HXDA)		Gasolina	FWD	1596	85	115	07.04-09.12	*
1.6 Ti (HXDB)		Gasolina	FWD	1596	85	115	07.04-09.12	*
1.6 Ti (SIDA)		Gasolina	FWD	1596	85	115	07.04-09.12	*
1.8 (Q7DA)		Gasolina	FWD	1798	92	125	03.06-09.12	*
1.8 (QQDA)		Gasolina	FWD	1798	92	125	03.06-09.12	*
1.8 (QQDB)		Gasolina	FWD	1798	92	125	03.06-09.12	*
2.0 (AODA)		Gasolina	FWD	1999	107	145	07.04-09.12	*
2.0 (AODB)		Gasolina	FWD	1999	107	145	07.04-09.12	*
2.0 (AODE)		Gasolina	FWD	1999	107	145	07.04-09.12	*
2.5 ST (HYDA)		Gasolina	FWD	2522	166	225	10.05-09.12	*
1.6 LPG (SIDA)		Gasol./Gas (LPG)	FWD	1596	85	115	10.09-07.11	*
2.0 LPG (SYDA)		Gasol./Gas (LPG)	FWD	1999	107	145	06.08-07.11	*
2.0 CNG (SYDA)		Gasol./Gas (CNG)	FWD	1999	107	145	04.09-07.11	*
1.8 Flexifuel (Q7DA)		Gasol./Etanol	FWD	1798	92	125	01.06-09.12	*
1.8 Flexifuel (QQDA)		Gasol./Etanol	FWD	1798	92	125	01.06-09.12	*
1.8 Flexifuel (QQDB)		Gasol./Etanol	FWD	1798	92	125	01.06-09.12	*
1.8 Flexifuel (QQDD)		Gasol./Etanol	FWD	1798	96	131	12.05-01.08	*
1.6 TDCi (GPDA)		Diesel	FWD	1560	66	90	01.05-09.12	*
1.6 TDCi (GPDB)		Diesel	FWD	1560	66	90	01.05-09.12	*
1.6 TDCi (GPDC)		Diesel	FWD	1560	66	90	01.05-09.12	*
1.6 TDCi (HHDA)		Diesel	FWD	1560	66	90	01.05-09.12	*
1.6 TDCi (HHDB)		Diesel	FWD	1560	66	90	01.05-09.12	*
1.6 TDCi (G8DA)		Diesel	FWD	1560	80	109	07.04-09.12	*
1.6 TDCi (G8DB)		Diesel	FWD	1560	80	109	07.04-09.12	*
1.6 TDCi (G8DD)		Diesel	FWD	1560	80	109	07.04-09.12	*
1.6 TDCi (G8DE)		Diesel	FWD	1560	80	109	07.04-09.12	*
1.6 TDCi (G8DF)		Diesel	FWD	1560	80	109	07.04-09.12	*
1.8 TDCi (KKDA)		Diesel	FWD	1753	85	115	01.05-09.12	*
2.0 TDCi (IXDA)		Diesel	FWD	1997	81	110	02.08-07.11	*
2.0 TDCi (G6DA)		Diesel	FWD	1997	100	136	07.04-09.12	*
2.0 TDCi (G6DB)		Diesel	FWD	1997	100	136	07.04-09.12	*
2.0 TDCi (G6DD)		Diesel	FWD	1997	100	136	07.04-09.12	*
2.0 TDCi (G6DG)		Diesel	FWD	1997	100	136	07.04-09.12	*
FOCUS II 10.06-09.10						Cabrio (Compact car-C Segment)		
1.6 (HWDA)		Gasolina	FWD	1596	74	100	10.06-09.10	*
1.6 (HWDB)		Gasolina	FWD	1596	74	100	10.06-09.10	*
1.6 (SHDA)		Gasolina	FWD	1596	74	100	10.06-09.10	*
1.6 (SHDB)		Gasolina	FWD	1596	74	100	10.06-09.10	*
1.6 (SHDC)		Gasolina	FWD	1596	74	100	10.06-09.10	*
2.0 (AODA)		Gasolina	FWD	1999	107	145	10.06-09.10	*
2.0 (AODB)		Gasolina	FWD	1999	107	145	10.06-09.10	*
2.0 (AODE)		Gasolina	FWD	1999	107	145	10.06-09.10	*
2.0 (SYDA)		Gasolina	FWD	1999	107	145	10.06-09.10	*
2.0 TDCi (G6DA)		Diesel	FWD	1997	100	136	10.06-09.10	*
2.0 TDCi (G6DB)		Diesel	FWD	1997	100	136	10.06-09.10	*

LISTA DE APLICACIONES - BUYERS GUIDE

2.0 TDCi (G6DD)		Diesel	FWD	1997	100	136	10.06-09.10	*	
2.0 TDCi (G6DG)		Diesel	FWD	1997	100	136	10.06-09.10	*	
FOCUS II (DB_, FCH, DH) 04.05-					Sedán (Compact car-C Segment)				
1.4 (ASDA)		Gasolina	FWD	1388	59	80	04.05-09.12	*	
1.4 (ASDB)		Gasolina	FWD	1388	59	80	04.05-09.12	*	
1.6 (HWDA)		Gasolina	FWD	1596	74	100	04.05-09.12	*	
1.6 (HWDB)		Gasolina	FWD	1596	74	100	04.05-09.12	*	
1.6 (SHDA)		Gasolina	FWD	1596	74	100	04.05-09.12	*	
1.6 (SHDB)		Gasolina	FWD	1596	74	100	04.05-09.12	*	
1.6 (SHDC)		Gasolina	FWD	1596	74	100	04.05-09.12	*	
1.6 Ti (HXDA)		Gasolina	FWD	1596	85	115	04.05-09.12	*	
1.6 Ti (HXDB)		Gasolina	FWD	1596	85	115	04.05-09.12	*	
1.6 Ti (SIDA)		Gasolina	FWD	1596	85	115	04.05-09.12	*	
1.8 (Q7DA)		Gasolina	FWD	1798	92	125	03.06-09.12	*	
1.8 (QQDA)		Gasolina	FWD	1798	92	125	03.06-09.12	*	
1.8 (QQDB)		Gasolina	FWD	1798	92	125	03.06-09.12	*	
2.0 (AODA)		Gasolina	FWD	1999	107	145	04.05-07.11	*	
2.0 (AODB)		Gasolina	FWD	1999	107	145	04.05-07.11	*	
2.0 (AODE)		Gasolina	FWD	1999	107	145	04.05-07.11	*	
2.0 (SYDA)		Gasolina	FWD	1999	107	145	04.05-07.11	*	
1.8 Flexifuel (Q7DA)		Gasol./Etanol	FWD	1798	92	125	06.06-07.11	*	
1.8 Flexifuel (QQDA)		Gasol./Etanol	FWD	1798	92	125	06.06-07.11	*	
1.8 Flexifuel (QQDB)		Gasol./Etanol	FWD	1798	92	125	06.06-07.11	*	
1.8 Flexifuel		Gasol./Etanol	FWD	1798	96	131	12.05-01.08	*	
1.6 TDCi (GPDA)		Diesel	FWD	1560	66	90	04.05-09.12	*	
1.6 TDCi (GPDB)		Diesel	FWD	1560	66	90	04.05-09.12	*	
1.6 TDCi (GPDC)		Diesel	FWD	1560	66	90	04.05-09.12	*	
1.6 TDCi (HHDA)		Diesel	FWD	1560	66	90	04.05-09.12	*	
1.6 TDCi (HHDB)		Diesel	FWD	1560	66	90	04.05-09.12	*	
1.6 TDCi (G8DA)		Diesel	FWD	1560	80	109	04.05-09.12	*	
1.6 TDCi (G8DB)		Diesel	FWD	1560	80	109	04.05-09.12	*	
1.6 TDCi (G8DD)		Diesel	FWD	1560	80	109	04.05-09.12	*	
1.6 TDCi (G8DE)		Diesel	FWD	1560	80	109	04.05-09.12	*	
1.6 TDCi (G8DF)		Diesel	FWD	1560	80	109	04.05-09.12	*	
1.8 TDCi (KKDA)		Diesel	FWD	1753	85	115	04.05-09.12	*	
2.0 TDCi (IXDA)		Diesel	FWD	1997	81	110	02.08-07.11	*	
2.0 TDCi (G6DA)		Diesel	FWD	1997	100	136	04.05-09.12	*	
2.0 TDCi (G6DB)		Diesel	FWD	1997	100	136	04.05-09.12	*	
2.0 TDCi (G6DD)		Diesel	FWD	1997	100	136	04.05-09.12	*	
2.0 TDCi (G6DG)		Diesel	FWD	1997	100	136	04.05-09.12	*	
FOCUS II Turnier (DA_, FFS, DS) 07.04-09.12					[CAMBIADO]:Break (Compact car-C Segment)				
1.4 (ASDA)		Gasolina	FWD	1388	59	80	07.04-09.12	*	
1.4 (ASDB)		Gasolina	FWD	1388	59	80	07.04-09.12	*	
1.6 (HWDA)		Gasolina	FWD	1596	74	100	07.04-07.11	*	
1.6 (HWDB)		Gasolina	FWD	1596	74	100	07.04-07.11	*	
1.6 (SHDA)		Gasolina	FWD	1596	74	100	07.04-07.11	*	
1.6 (SHDB)		Gasolina	FWD	1596	74	100	07.04-07.11	*	
1.6 (SHDC)		Gasolina	FWD	1596	74	100	07.04-07.11	*	
1.6 Ti (HXDA)		Gasolina	FWD	1596	85	115	07.04-09.12	*	

LISTA DE APLICACIONES - BUYERS GUIDE

1.6 Ti (HXDB)		Gasolina	FWD	1596	85	115	07.04-09.12	*
1.6 Ti (SIDA)		Gasolina	FWD	1596	85	115	07.04-09.12	*
1.8 (Q7DA)		Gasolina	FWD	1798	92	125	03.06-09.12	*
1.8 (QQDA)		Gasolina	FWD	1798	92	125	03.06-09.12	*
1.8 (QQDB)		Gasolina	FWD	1798	92	125	03.06-09.12	*
1.8 Flexifuel		Gasolina	FWD	1798	97	132	12.05-01.08	*
2.0 (AODA)		Gasolina	FWD	1999	107	145	07.04-09.12	*
2.0 (AODB)		Gasolina	FWD	1999	107	145	07.04-09.12	*
2.0 (AODE)		Gasolina	FWD	1999	107	145	07.04-09.12	*
2.0 (SYDA)		Gasolina	FWD	1999	107	145	07.04-09.12	*
1.6 LPG (SIDA)		Gasol./Gas (LPG)	FWD	1596	85	115	10.09-09.12	*
2.0 LPG (SYDA)		Gasol./Gas (LPG)	FWD	1999	107	145	06.08-07.11	*
1.8 Flexifuel (Q7DA)		Gasol./Etanol	FWD	1798	92	125	01.06-09.12	*
1.8 Flexifuel (QQDA)		Gasol./Etanol	FWD	1798	92	125	01.06-09.12	*
1.8 Flexifuel (QQDB)		Gasol./Etanol	FWD	1798	92	125	01.06-09.12	*
1.6 TDCi (GPDA)		Diesel	FWD	1560	66	90	07.04-09.12	*
1.6 TDCi (GPDB)		Diesel	FWD	1560	66	90	07.04-09.12	*
1.6 TDCi (GPDC)		Diesel	FWD	1560	66	90	07.04-09.12	*
1.6 TDCi (HHDA)		Diesel	FWD	1560	66	90	07.04-09.12	*
1.6 TDCi (HHDB)		Diesel	FWD	1560	66	90	07.04-09.12	*
1.6 TDCi (G8DA)		Diesel	FWD	1560	80	109	07.04-09.12	*
1.6 TDCi (G8DB)		Diesel	FWD	1560	80	109	07.04-09.12	*
1.6 TDCi (G8DD)		Diesel	FWD	1560	80	109	07.04-09.12	*
1.6 TDCi (G8DE)		Diesel	FWD	1560	80	109	07.04-09.12	*
1.6 TDCi (G8DF)		Diesel	FWD	1560	80	109	07.04-09.12	*
1.8 TDCi (KKDA)		Diesel	FWD	1753	85	115	07.04-09.12	*
2.0 TDCi (IXDA)		Diesel	FWD	1997	81	110	02.08-07.11	*
2.0 TDCi (G6DA)		Diesel	FWD	1997	100	136	07.04-09.12	*
2.0 TDCi (G6DB)		Diesel	FWD	1997	100	136	07.04-09.12	*
2.0 TDCi (G6DD)		Diesel	FWD	1997	100	136	07.04-09.12	*
2.0 TDCi (G6DG)		Diesel	FWD	1997	100	136	07.04-09.12	*
FOCUS III (C346) 07.10-							[CAMBIADO]:Fastback (Compact car-C Segment)	
1.0 EcoBoost (M2DA)		Gasolina	FWD	998	74	100	02.12-12.17	*
1.0 EcoBoost (M2DB)		Gasolina	FWD	998	74	100	02.12-12.17	*
1.0 EcoBoost (M2DC)		Gasolina	FWD	998	74	100	02.12-12.17	*
1.0 EcoBoost (SFDA)		Gasolina	FWD	998	74	100	02.12-12.17	*
1.0 EcoBoost (SFDB)		Gasolina	FWD	998	74	100	02.12-12.17	*
1.0 EcoBoost (M1DA)		Gasolina	FWD	998	92	125	02.12-12.17	*
1.0 EcoBoost (M1DC)		Gasolina	FWD	998	92	125	02.12-12.17	*
1.0 EcoBoost (M1DD)		Gasolina	FWD	998	92	125	02.12-12.17	*
1.0 EcoBoost (M1DH)		Gasolina	FWD	998	103	140	10.17-02.20	*
1.5 EcoBoost (M8DA)		Gasolina	FWD	1498	110	150	09.14-12.17	*
1.5 EcoBoost (M8DB)		Gasolina	FWD	1498	110	150	09.14-12.17	*
1.5 EcoBoost (M9DA)		Gasolina	FWD	1498	134	182	09.14-12.17	*
1.5 EcoBoost (M9DB)		Gasolina	FWD	1498	134	182	09.14-12.17	*
1.6 Ti (XTDA)		Gasolina	FWD	1596	63	85	08.11-12.17	*
1.6 Ti (XTDB)		Gasolina	FWD	1596	63	85	08.11-12.17	*
1.6 Ti (IQDA)		Gasolina	FWD	1596	77	105	07.10-02.20	*
1.6 Ti (IQDB)		Gasolina	FWD	1596	77	105	07.10-02.20	*

LISTA DE APLICACIONES - BUYERS GUIDE

1.6 Ti (IQDC)		Gasolina	FWD	1596	77	105	07.10-02.20	*
1.6 Ti (MUDA)		Gasolina	FWD	1596	88	120	02.12-12.17	*
1.6 Ti (MUDD)		Gasolina	FWD	1596	88	120	02.12-12.17	*
1.6 Ti (PNDA)		Gasolina	FWD	1596	92	125	07.10-12.17	*
1.6 Ti (PNDD)		Gasolina	FWD	1596	92	125	07.10-12.17	*
1.6 EcoBoost (JQDA)		Gasolina	FWD	1596	110	150	07.10-06.14	*
1.6 EcoBoost (JQDB)		Gasolina	FWD	1596	110	150	07.10-06.14	*
1.6 EcoBoost (YUDA)		Gasolina	FWD	1596	110	150	07.10-06.14	*
1.6 EcoBoost (JTDA)		Gasolina	FWD	1596	134	182	07.10-06.14	*
1.6 EcoBoost (JTDB)		Gasolina	FWD	1596	134	182	07.10-06.14	*
2.0 ST		Gasolina	FWD	1997	186	253	09.13-	*
2.0 (XQDA)		Gasolina	FWD	1999	110	150	10.13-12.17	*
2.0 Ti-GDi (MGDA)		Gasolina	FWD	1999	125	170	08.11-02.20	*
2.0 ST (R9DA)		Gasolina	FWD	1999	184	250	07.12-12.17	*
2.0 ST (R9DB)		Gasolina	FWD	1999	184	250	07.12-12.17	*
2.0 ST (R9DC)		Gasolina	FWD	1999	184	250	07.12-12.17	*
2.0 ST (R9DD)		Gasolina	FWD	1999	184	250	07.12-12.17	*
1.6 LPG (MUDA)		Gasol./G as (LPG)	FWD	1596	86	117	02.12-02.20	*
1.6 LPG (MUDD)		Gasol./G as (LPG)	FWD	1596	88	120	02.12-02.20	*
1.6 LPG (MUDD)		Gasol./G as (LPG)	FWD	1596	88	120	02.12-02.20	*
1.6 Flexifuel (MUDA)		Gasol./Et anol	FWD	1596	88	120	07.10-02.20	*
1.6 Flexifuel (MUDD)		Gasol./Et anol	FWD	1596	88	120	07.10-02.20	*
1.6 Flexifuel (YUDA)		Gasol./Et anol	FWD	1596	110	150	07.13-02.20	*
Electric (KDDA)		Eléctrico	FWD		107	145	07.13-12.17	*
1.5 TDCi (XXDA)		Diesel	FWD	1499	70	95	09.14-04.18	*
1.5 TDCi (XXDC)		Diesel	FWD	1499	70	95	09.14-04.18	*
1.5 TDCi (XXDD)		Diesel	FWD	1499	70	95	09.14-04.18	*
1.5 TDCi ECOnetic (AEDA)		Diesel	FWD	1499	77	105	09.14-12.17	*
1.5 TDCi ECOnetic (XXDB)		Diesel	FWD	1499	77	105	09.14-12.17	*
1.5 TDCi (XWDA)		Diesel	FWD	1499	88	120	09.14-04.18	*
1.5 TDCi (XWDB)		Diesel	FWD	1499	88	120	09.14-04.18	*
1.5 TDCi (XWDC)		Diesel	FWD	1499	88	120	09.14-04.18	*
1.5 TDCi (XWDD)		Diesel	FWD	1499	88	120	09.14-04.18	*
1.5 TDCi (XWDE)		Diesel	FWD	1499	88	120	09.14-04.18	*
1.6 TDCi (T3DA)		Diesel	FWD	1560	70	95	07.10-12.17	*
1.6 TDCi (T3DB)		Diesel	FWD	1560	70	95	07.10-12.17	*
1.6 TDCi ECOnetic (NGDA)		Diesel	FWD	1560	77	105	05.12-07.15	*
1.6 TDCi ECOnetic (NGDB)		Diesel	FWD	1560	77	105	05.12-07.15	*
1.6 TDCi (T1DA)		Diesel	FWD	1560	85	115	07.10-12.17	*
1.6 TDCi (T1DB)		Diesel	FWD	1560	85	115	07.10-12.17	*
2.0 TDCi (TYDA)		Diesel	FWD	1997	85	115	07.10-06.14	*
2.0 TDCi (UKDB)		Diesel	FWD	1997	100	136	07.10-06.14	*
2.0 TDCi (UFDB)		Diesel	FWD	1997	103	140	07.10-06.14	*
2.0 TDCi (T7DA)		Diesel	FWD	1997	110	150	11.14-12.17	*
2.0 TDCi (T7DB)		Diesel	FWD	1997	110	150	11.14-12.17	*
2.0 TDCi (TXDB)		Diesel	FWD	1997	120	163	07.10-06.14	*
2.0 TDCi ST (T8DA)		Diesel	FWD	1997	136	185	11.14-12.17	*

LISTA DE APLICACIONES - BUYERS GUIDE

					[CAMBIADO]:Furgón/Break (Compact car-C Segment)					
FOCUS III 02.12-										
1.0 EcoBoost (M2DA)		Gasolina	FWD	998	74	100	02.12-02.20		*	
1.0 EcoBoost (M2DB)		Gasolina	FWD	998	74	100	02.12-02.20		*	
1.0 EcoBoost (M2DC)		Gasolina	FWD	998	74	100	02.12-02.20		*	
1.0 EcoBoost (SFDA)		Gasolina	FWD	998	74	100	02.12-02.20		*	
1.0 EcoBoost (SFDB)		Gasolina	FWD	998	74	100	02.12-02.20		*	
1.0 EcoBoost (M1DA)		Gasolina	FWD	998	92	125	02.12-02.20		*	
1.0 EcoBoost (M1DC)		Gasolina	FWD	998	92	125	02.12-02.20		*	
1.0 EcoBoost (M1DD)		Gasolina	FWD	998	92	125	02.12-02.20		*	
1.5 EcoBoost (M8DA)		Gasolina	FWD	1498	110	150	09.14-02.20		*	
1.5 EcoBoost (M8DB)		Gasolina	FWD	1498	110	150	09.14-02.20		*	
1.5 EcoBoost (M8DD)		Gasolina	FWD	1498	110	150	09.14-02.20		*	
1.5 EcoBoost (M8DE)		Gasolina	FWD	1498	110	150	09.14-02.20		*	
1.5 EcoBoost (M9DA)		Gasolina	FWD	1498	134	182	09.14-02.20		*	
1.5 EcoBoost (M9DB)		Gasolina	FWD	1498	134	182	09.14-02.20		*	
1.5 TDCi (XXDA)		Diesel	FWD	1499	70	95	09.14-02.20		*	
1.5 TDCi (XXDC)		Diesel	FWD	1499	70	95	09.14-02.20		*	
1.5 TDCi ECOnetic (XXDB)		Diesel	FWD	1499	77	105	09.14-02.20		*	
1.5 TDCi (XWDA)		Diesel	FWD	1499	88	120	09.14-02.20		*	
1.5 TDCi (XWDB)		Diesel	FWD	1499	88	120	09.14-02.20		*	
1.5 TDCi (XWDC)		Diesel	FWD	1499	88	120	09.14-02.20		*	
1.5 TDCi (XWDD)		Diesel	FWD	1499	88	120	09.14-02.20		*	
2.0 TDCi (T7DA)		Diesel	FWD	1997	110	150	11.14-02.20		*	
2.0 TDCi (T7DB)		Diesel	FWD	1997	110	150	11.14-02.20		*	
					Furgón/hatchback (Compact car-C Segment)					
FOCUS III (C346) 01.11-										
1.0 EcoBoost (M2DA)		Gasolina	FWD	998	74	100	02.12-12.17		*	
1.0 EcoBoost (M2DB)		Gasolina	FWD	998	74	100	02.12-12.17		*	
1.0 EcoBoost (M2DC)		Gasolina	FWD	998	74	100	02.12-12.17		*	
1.0 EcoBoost (SFDA)		Gasolina	FWD	998	74	100	02.12-12.17		*	
1.0 EcoBoost (SFDB)		Gasolina	FWD	998	74	100	02.12-12.17		*	
1.0 EcoBoost (M1DA)		Gasolina	FWD	998	92	125	02.12-12.17		*	
1.0 EcoBoost (M1DC)		Gasolina	FWD	998	92	125	02.12-12.17		*	
1.0 EcoBoost (M1DD)		Gasolina	FWD	998	92	125	02.12-12.17		*	
1.5 EcoBoost (M8DA)		Gasolina	FWD	1498	110	150	09.14-12.17		*	
1.5 EcoBoost (M8DB)		Gasolina	FWD	1498	110	150	09.14-12.17		*	
1.5 EcoBoost (M9DA)		Gasolina	FWD	1498	134	182	09.14-12.17		*	
1.5 EcoBoost (M9DB)		Gasolina	FWD	1498	134	182	09.14-12.17		*	
1.6 Ti (IQDA)		Gasolina	FWD	1596	77	105	01.11-02.20		*	
1.6 Ti (IQDB)		Gasolina	FWD	1596	77	105	01.11-02.20		*	
1.6 EcoBoost (JQDA)		Gasolina	FWD	1596	110	150	11.11-06.14		*	
1.6 EcoBoost (JQDB)		Gasolina	FWD	1596	110	150	11.11-06.14		*	
1.6 EcoBoost (YUDA)		Gasolina	FWD	1596	110	150	11.11-06.14		*	
1.6 EcoBoost (JTDA)		Gasolina	FWD	1596	134	182	11.11-06.14		*	
1.6 EcoBoost (JTDB)		Gasolina	FWD	1596	134	182	11.11-06.14		*	
1.5 TDCi (XXDA)		Diesel	FWD	1499	70	95	09.14-12.17		*	
1.5 TDCi (XXDC)		Diesel	FWD	1499	70	95	09.14-12.17		*	
1.5 TDCi (XXDD)		Diesel	FWD	1499	70	95	09.14-12.17		*	
1.5 TDCi ECOnetic (AEDA)		Diesel	FWD	1499	77	105	09.14-12.17		*	
1.5 TDCi ECOnetic (XXDB)		Diesel	FWD	1499	77	105	09.14-12.17		*	
1.5 TDCi (XWDA)		Diesel	FWD	1499	88	120	09.14-12.17		*	

LISTA DE APLICACIONES - BUYERS GUIDE

1.5 TDCi (XWDB)		Diesel	FWD	1499	88	120	09.14-12.17	*	
1.5 TDCi (XWDC)		Diesel	FWD	1499	88	120	09.14-12.17	*	
1.5 TDCi (XWDD)		Diesel	FWD	1499	88	120	09.14-12.17	*	
1.5 TDCi (XWDE)		Diesel	FWD	1499	88	120	09.14-12.17	*	
1.6 TDCi (T3DA)		Diesel	FWD	1560	70	95	01.11-12.17	*	
1.6 TDCi (T3DB)		Diesel	FWD	1560	70	95	01.11-12.17	*	
1.6 TDCi (T1DA)		Diesel	FWD	1560	85	115	02.12-12.17	*	
1.6 TDCi (T1DB)		Diesel	FWD	1560	85	115	02.12-12.17	*	
2.0 TDCi (TYDA)		Diesel	FWD	1997	85	115	01.11-06.14	*	
2.0 TDCi (UFDB)		Diesel	FWD	1997	103	140	01.11-06.14	*	
2.0 TDCi (T7DA)		Diesel	FWD	1997	110	150	11.14-12.17	*	
2.0 TDCi (T7DB)		Diesel	FWD	1997	110	150	11.14-12.17	*	
2.0 TDCi (TXDB)		Diesel	FWD	1997	120	163	01.11-06.14	*	
FOCUS III (C346) 07.10-							Sedán (Compact car-C Segment)		
1.0 EcoBoost (M2DA)		Gasolina	FWD	998	74	100	02.12-02.20	*	
1.0 EcoBoost (M2DB)		Gasolina	FWD	998	74	100	02.12-02.20	*	
1.0 EcoBoost (M2DC)		Gasolina	FWD	998	74	100	02.12-02.20	*	
1.0 EcoBoost (SFDA)		Gasolina	FWD	998	74	100	02.12-02.20	*	
1.0 EcoBoost (SFDB)		Gasolina	FWD	998	74	100	02.12-02.20	*	
1.0 EcoBoost (M1DA)		Gasolina	FWD	998	92	125	02.12-02.20	*	
1.0 EcoBoost (M1DC)		Gasolina	FWD	998	92	125	02.12-02.20	*	
1.0 EcoBoost (M1DD)		Gasolina	FWD	998	92	125	02.12-02.20	*	
1.0 EcoBoost (M1DH)		Gasolina	FWD	998	103	140	10.17-02.20	*	
1.5 EcoBoost (M8DA)		Gasolina	FWD	1498	110	150	11.14-02.20	*	
1.5 EcoBoost (M8DB)		Gasolina	FWD	1498	110	150	11.14-02.20	*	
1.5 EcoBoost (M9DA)		Gasolina	FWD	1498	134	182	11.14-02.20	*	
1.5 EcoBoost (M9DB)		Gasolina	FWD	1498	134	182	11.14-02.20	*	
1.6 Ti (XTDA)		Gasolina	FWD	1596	63	85	08.11-02.20	*	
1.6 Ti (XTDB)		Gasolina	FWD	1596	63	85	08.11-02.20	*	
1.6 Ti (IQDA)		Gasolina	FWD	1596	77	105	07.10-02.20	*	
1.6 Ti (IQDB)		Gasolina	FWD	1596	77	105	07.10-02.20	*	
1.6 Ti (IQDC)		Gasolina	FWD	1596	77	105	07.10-02.20	*	
1.6 Ti (PNDA)		Gasolina	FWD	1596	92	125	07.10-02.20	*	
1.6 Ti (PNDD)		Gasolina	FWD	1596	92	125	07.10-02.20	*	
1.6 Flex		Gasolina	FWD	1596	99	135	01.14-	*	
1.6 EcoBoost (JQDA)		Gasolina	FWD	1596	110	150	07.10-06.14	*	
1.6 EcoBoost (JQDB)		Gasolina	FWD	1596	110	150	07.10-06.14	*	
1.6 EcoBoost (YUDA)		Gasolina	FWD	1596	110	150	07.10-06.14	*	
1.6 EcoBoost (JTDA)		Gasolina	FWD	1596	134	182	07.10-06.14	*	
1.6 EcoBoost (JTDB)		Gasolina	FWD	1596	134	182	07.10-06.14	*	
2.0 (XQDA)		Gasolina	FWD	1999	110	150	10.13-02.20	*	
2.0		Gasolina	FWD	1999	119	162	08.11-02.20	*	
2.0 Flex		Gasolina	FWD	1999	119	162	09.12-	*	
2.0 GDI (MGDA)		Gasolina	FWD	1999	125	170	08.11-02.20	*	
1.6 Flexifuel (MUDA)		Gasol./Etanol	FWD	1596	88	120	07.10-02.20	*	
1.6 Flexifuel (MUDD)		Gasol./Etanol	FWD	1596	88	120	07.10-02.20	*	
1.6 Flexifuel (YUDA)		Gasol./Etanol	FWD	1596	110	150	07.13-02.20	*	
1.5 TDCi (XXDA)		Diesel	FWD	1499	70	95	11.14-02.20	*	
1.5 TDCi (XXDC)		Diesel	FWD	1499	70	95	11.14-02.20	*	
1.5 TDCi (XXDD)		Diesel	FWD	1499	70	95	11.14-02.20	*	

LISTA DE APLICACIONES - BUYERS GUIDE

1.5 TDCi EConetic (AEDA)		Diesel	FWD	1499	77	105	11.14-02.20	*
1.5 TDCi EConetic (XXDB)		Diesel	FWD	1499	77	105	11.14-02.20	*
1.5 TDCi (XWDA)		Diesel	FWD	1499	88	120	11.14-02.20	*
1.5 TDCi (XWDB)		Diesel	FWD	1499	88	120	11.14-02.20	*
1.5 TDCi (XWDC)		Diesel	FWD	1499	88	120	11.14-02.20	*
1.5 TDCi (XWDD)		Diesel	FWD	1499	88	120	11.14-02.20	*
1.5 TDCi (XWDE)		Diesel	FWD	1499	88	120	11.14-02.20	*
1.6 TDCi (T3DA)		Diesel	FWD	1560	70	95	07.10-02.20	*
1.6 TDCi (T3DB)		Diesel	FWD	1560	70	95	07.10-02.20	*
1.6 TDCi (NGDA)		Diesel	FWD	1560	77	105	05.12-07.15	*
1.6 TDCi (NGDB)		Diesel	FWD	1560	77	105	05.12-07.15	*
1.6 TDCi (T1DA)		Diesel	FWD	1560	85	115	07.10-02.20	*
1.6 TDCi (T1DB)		Diesel	FWD	1560	85	115	07.10-02.20	*
2.0 TDCi (TYDA)		Diesel	FWD	1997	85	115	07.10-06.14	*
2.0 TDCi (UKDB)		Diesel	FWD	1997	100	136	07.10-06.14	*
2.0 TDCi (UFDB)		Diesel	FWD	1997	103	140	07.10-06.14	*
2.0 TDCi (T7DA)		Diesel	FWD	1997	110	150	11.14-02.20	*
2.0 TDCi (T7DB)		Diesel	FWD	1997	110	150	11.14-02.20	*
2.0 TDCi (TXDB)		Diesel	FWD	1997	120	163	07.10-06.14	*
FOCUS III Turnier (C346) 07.10-							[CAMBIADO]:Break (Compact car-C Segment)	
1.0 EcoBoost (M2DA)		Gasolina	FWD	998	74	100	02.12-02.20	*
1.0 EcoBoost (M2DB)		Gasolina	FWD	998	74	100	02.12-02.20	*
1.0 EcoBoost (M2DC)		Gasolina	FWD	998	74	100	02.12-02.20	*
1.0 EcoBoost (SFDA)		Gasolina	FWD	998	74	100	02.12-02.20	*
1.0 EcoBoost (SFDB)		Gasolina	FWD	998	74	100	02.12-02.20	*
1.0 EcoBoost (M1DA)		Gasolina	FWD	998	92	125	02.12-02.20	*
1.0 EcoBoost (M1DC)		Gasolina	FWD	998	92	125	02.12-02.20	*
1.0 EcoBoost (M1DD)		Gasolina	FWD	998	92	125	02.12-02.20	*
1.0 EcoBoost (M1DH)		Gasolina	FWD	998	103	140	10.17-02.20	*
1.5 EcoBoost (M8DA)		Gasolina	FWD	1498	110	150	09.14-02.20	*
1.5 EcoBoost (M8DB)		Gasolina	FWD	1498	110	150	09.14-02.20	*
1.5 EcoBoost (M9DA)		Gasolina	FWD	1498	134	182	09.14-02.20	*
1.5 EcoBoost (M9DB)		Gasolina	FWD	1498	134	182	09.14-02.20	*
1.6 Ti (XTDA)		Gasolina	FWD	1596	63	85	08.11-02.20	*
1.6 Ti (XTDB)		Gasolina	FWD	1596	63	85	08.11-02.20	*
1.6 Ti (IQDB)		Gasolina	FWD	1596	77	105	07.10-02.20	*
1.6 Ti (MUDA)		Gasolina	FWD	1596	88	120	02.12-02.20	*
1.6 Ti (MUDD)		Gasolina	FWD	1596	88	120	02.12-02.20	*
1.6 Ti (PNDA)		Gasolina	FWD	1596	92	125	07.10-02.20	*
1.6 Ti (PNDD)		Gasolina	FWD	1596	92	125	07.10-02.20	*
1.6 EcoBoost (JQDA)		Gasolina	FWD	1596	110	150	07.10-06.14	*
1.6 EcoBoost (JQDB)		Gasolina	FWD	1596	110	150	07.10-06.14	*
1.6 EcoBoost (YUDA)		Gasolina	FWD	1596	110	150	07.10-06.14	*
1.6 EcoBoost (JTDA)		Gasolina	FWD	1596	134	182	07.10-06.14	*
1.6 EcoBoost (JTDB)		Gasolina	FWD	1596	134	182	07.10-06.14	*
2.0 (XQDA)		Gasolina	FWD	1999	110	150	10.13-02.20	*
2.0 Ti-GDi (MGDA)		Gasolina	FWD	1999	125	170	07.10-02.20	*
2.0 ST (R9DA)		Gasolina	FWD	1999	184	250	07.12-02.20	*
2.0 ST (R9DB)		Gasolina	FWD	1999	184	250	07.12-02.20	*
2.0 ST (R9DC)		Gasolina	FWD	1999	184	250	07.12-02.20	*
2.0 ST (R9DD)		Gasolina	FWD	1999	184	250	07.12-02.20	*

LISTA DE APLICACIONES - BUYERS GUIDE

1.6 LPG (MUDA)		Gasol./Gas (LPG)	FWD	1596	86	117	02.12-02.20	*
1.6 LPG (MUDA)		Gasol./Gas (LPG)	FWD	1596	88	120	02.12-02.20	*
1.6 LPG (MUDD)		Gasol./Gas (LPG)	FWD	1596	88	120	02.12-02.20	*
1.6 Flexifuel (MUDA)		Gasol./Etanol	FWD	1596	88	120	07.10-02.20	*
1.6 Flexifuel (MUDD)		Gasol./Etanol	FWD	1596	88	120	07.10-02.20	*
1.6 Flexifuel (YUDA)		Gasol./Etanol	FWD	1596	110	150	07.13-02.20	*
1.5 TDCi (XXDA)		Diesel	FWD	1499	70	95	09.14-02.20	*
1.5 TDCi (XXDC)		Diesel	FWD	1499	70	95	09.14-02.20	*
1.5 TDCi ECOnetic (XXDB)		Diesel	FWD	1499	77	105	09.14-02.20	*
1.5 TDCi (XWDA)		Diesel	FWD	1499	88	120	09.14-02.20	*
1.5 TDCi (XWDB)		Diesel	FWD	1499	88	120	09.14-02.20	*
1.5 TDCi (XWDC)		Diesel	FWD	1499	88	120	09.14-02.20	*
1.5 TDCi (XWDD)		Diesel	FWD	1499	88	120	09.14-02.20	*
1.5 TDCi (XWDE)		Diesel	FWD	1499	88	120	09.14-02.20	*
1.6 TDCi (T3DA)		Diesel	FWD	1560	70	95	07.10-02.20	*
1.6 TDCi (T3DB)		Diesel	FWD	1560	70	95	07.10-02.20	*
1.6 TDCi ECOnetic (NGDA)		Diesel	FWD	1560	77	105	05.12-07.15	*
1.6 TDCi ECOnetic (NGDB)		Diesel	FWD	1560	77	105	05.12-07.15	*
1.6 TDCi (T1DA)		Diesel	FWD	1560	85	115	07.10-02.20	*
1.6 TDCi (T1DB)		Diesel	FWD	1560	85	115	07.10-02.20	*
2.0 TDCi (TYDA)		Diesel	FWD	1997	85	115	07.10-06.14	*
2.0 TDCi (UKDB)		Diesel	FWD	1997	100	136	07.10-06.14	*
2.0 TDCi (UFDB)		Diesel	FWD	1997	103	140	07.10-06.14	*
2.0 TDCi (T7DA)		Diesel	FWD	1997	110	150	11.14-02.20	*
2.0 TDCi (T7DB)		Diesel	FWD	1997	110	150	11.14-02.20	*
2.0 TDCi (TXDB)		Diesel	FWD	1997	120	163	07.10-06.14	*
2.0 TDCi ST (T8DA)		Diesel	FWD	1997	136	185	11.14-02.20	*
FOCUS C-MAX (DM2) 10.03-03.07							MPV (Compact MPV-M1 Segment)	
1.6 (HWDA)		Gasolina	FWD	1596	74	100	10.03-03.07	*
1.6 (HWDB)		Gasolina	FWD	1596	74	100	10.03-03.07	*
1.6 (SHDA)		Gasolina	FWD	1596	74	100	10.03-03.07	*
1.6 (SHDB)		Gasolina	FWD	1596	74	100	10.03-03.07	*
1.6 (SHDC)		Gasolina	FWD	1596	74	100	10.03-03.07	*
1.6 Ti (HXDA)		Gasolina	FWD	1596	85	115	08.04-03.07	*
1.6 Ti (SIDA)		Gasolina	FWD	1596	85	115	08.04-03.07	*
1.8 (CSDA)		Gasolina	FWD	1798	88	120	10.03-03.07	*
1.8 (CSDB)		Gasolina	FWD	1798	88	120	10.03-03.07	*
1.8 (QQDC)		Gasolina	FWD	1798	90	122	09.05-03.07	*
1.8 (Q7DA)		Gasolina	FWD	1798	92	125	04.04-03.07	*
1.8 (QQDA)		Gasolina	FWD	1798	92	125	04.04-03.07	*
1.8 (QQDB)		Gasolina	FWD	1798	92	125	04.04-03.07	*
2.0 (AODA)		Gasolina	FWD	1999	107	145	03.04-03.07	*
2.0 (AODB)		Gasolina	FWD	1999	107	145	03.04-03.07	*
2.0 (AODE)		Gasolina	FWD	1999	107	145	03.04-03.07	*
2.0 (SYDA)		Gasolina	FWD	1999	107	145	03.04-03.07	*
1.8 Flexifuel (Q7DA)		Gasol./Etanol	FWD	1798	92	125	01.06-03.07	*
1.6 TDCi (HHDA)		Diesel	FWD	1560	66	90	02.05-03.07	*
1.6 TDCi (HHDB)		Diesel	FWD	1560	66	90	02.05-03.07	*

LISTA DE APLICACIONES - BUYERS GUIDE

1.6 TDCi (G8DA)		Diesel	FWD	1560	80	109	10.03-03.07	*
1.6 TDCi (G8DB)		Diesel	FWD	1560	80	109	10.03-03.07	*
1.6 TDCi (G8DD)		Diesel	FWD	1560	80	109	10.03-03.07	*
1.6 TDCi (G8DE)		Diesel	FWD	1560	80	109	10.03-03.07	*
1.6 TDCi (G8DF)		Diesel	FWD	1560	80	109	10.03-03.07	*
1.8 TDCi (KKDA)		Diesel	FWD	1753	85	115	01.05-03.07	*
1.8 TDCi (KKDB)		Diesel	FWD	1753	85	115	01.05-03.07	*
2.0 TDCi (G6DC)		Diesel	FWD	1997	98	133	10.03-03.07	*
2.0 TDCi (G6DE)		Diesel	FWD	1997	98	133	10.03-03.07	*
2.0 TDCi (G6DF)		Diesel	FWD	1997	98	133	10.03-03.07	*
2.0 TDCi (G6DA)		Diesel	FWD	1997	100	136	10.03-03.07	*
2.0 TDCi (G6DB)		Diesel	FWD	1997	100	136	10.03-03.07	*
2.0 TDCi (G6DD)		Diesel	FWD	1997	100	136	10.03-03.07	*
2.0 TDCi (G6DG)		Diesel	FWD	1997	100	136	10.03-03.07	*
FOCUS Turnier (DNW) 02.99-12.07							[CAMBIADO]:Break (Compact car-C Segment)	
1.8 Bifuel (EYDL)		Gasol./Gas (LPG)	FWD	1796	82	111	02.03-01.05	*
GRAND C-MAX 12.10-							Furgoneta/MPV (LCVs-N1 Segment)	
1.0 EcoBoost (B3DA)		Gasolina	FWD	998	74	100	10.12-06.18	*
1.0 EcoBoost (M2DA)		Gasolina	FWD	998	74	100	10.12-06.18	*
1.0 EcoBoost (M2DC)		Gasolina	FWD	998	74	100	10.12-06.18	*
1.0 EcoBoost (B7DA)		Gasolina	FWD	998	92	125	10.12-06.19	*
1.0 EcoBoost (M1DA)		Gasolina	FWD	998	92	125	10.12-06.19	*
1.0 EcoBoost (M1DD)		Gasolina	FWD	998	92	125	10.12-06.19	*
1.5 EcoBoost (M8DB)		Gasolina	FWD	1498	110	150	03.15-06.19	*
1.6 EcoBoost (JQDA)		Gasolina	FWD	1596	110	150	12.10-06.19	*
1.6 EcoBoost (JQDB)		Gasolina	FWD	1596	110	150	12.10-06.19	*
1.5 TDCi (XWDA)		Diesel	FWD	1499	88	120	03.15-06.19	*
1.5 TDCi (XWDB)		Diesel	FWD	1499	88	120	03.15-06.19	*
1.5 TDCi (XWDC)		Diesel	FWD	1499	88	120	03.15-06.19	*
1.5 TDCi (XWDD)		Diesel	FWD	1499	88	120	03.15-06.19	*
1.5 TDCi (XWDE)		Diesel	FWD	1499	88	120	03.15-06.19	*
1.6 TDCi (T3DA)		Diesel	FWD	1560	70	95	12.10-06.19	*
1.6 TDCi (T3DB)		Diesel	FWD	1560	70	95	12.10-06.19	*
1.6 TDCi (T1DA)		Diesel	FWD	1560	85	115	12.10-06.19	*
1.6 TDCi (T1DB)		Diesel	FWD	1560	85	115	12.10-06.19	*
2.0 TDCi (TYDA)		Diesel	FWD	1997	85	115	02.11-06.19	*
2.0 TDCi (UFDB)		Diesel	FWD	1997	103	140	12.10-06.19	*
2.0 TDCi (T7DB)		Diesel	FWD	1997	110	150	03.15-06.19	*
2.0 TDCi (T7DC)		Diesel	FWD	1997	110	150	03.15-06.19	*
2.0 TDCi (TXDB)		Diesel	FWD	1997	120	163	12.10-06.19	*
2.0 TDCi (T8DE)		Diesel	FWD	1997	125	170	03.15-06.19	*
GRAND C-MAX (DXA/CB7, DXA/CEU) 12.10-							MPV (Large MPV-M1 Segment)	
1.0 EcoBoost (B3DA)		Gasolina	FWD	998	74	100	10.12-06.19	*
1.0 EcoBoost (M2DA)		Gasolina	FWD	998	74	100	10.12-06.19	*
1.0 EcoBoost (M2DC)		Gasolina	FWD	998	74	100	10.12-06.19	*
1.0 EcoBoost (B7DA)		Gasolina	FWD	998	92	125	10.12-06.19	*
1.0 EcoBoost (M1DA)		Gasolina	FWD	998	92	125	10.12-06.19	*
1.0 EcoBoost (M1DD)		Gasolina	FWD	998	92	125	10.12-06.19	*
1.5 EcoBoost (M8DB)		Gasolina	FWD	1498	110	150	03.15-06.19	*
1.5 EcoBoost (M9DB)		Gasolina	FWD	1498	134	182	03.15-06.19	*

LISTA DE APLICACIONES - BUYERS GUIDE

1.6 Ti (IQDA)		Gasolina	FWD	1596	77	105	12.10-06.19	*
1.6 Ti (IQDB)		Gasolina	FWD	1596	77	105	12.10-06.19	*
1.6 Ti (PNDA)		Gasolina	FWD	1596	92	125	12.10-06.19	*
1.6 Ti (PNDD)		Gasolina	FWD	1596	92	125	12.10-06.19	*
1.6 EcoBoost (JQDA)		Gasolina	FWD	1596	110	150	12.10-06.19	*
1.6 EcoBoost (JQDB)		Gasolina	FWD	1596	110	150	12.10-06.19	*
1.6 EcoBoost (JTDA)		Gasolina	FWD	1596	134	182	12.10-06.19	*
1.6 EcoBoost (JTDB)		Gasolina	FWD	1596	134	182	12.10-06.19	*
1.5 TDCi (XXDA)		Diesel	FWD	1499	70	95	03.15-06.19	*
1.5 TDCi (XXDC)		Diesel	FWD	1499	70	95	03.15-06.19	*
1.5 TDCi (XWDA)		Diesel	FWD	1499	88	120	03.15-06.19	*
1.5 TDCi (XWDB)		Diesel	FWD	1499	88	120	03.15-06.19	*
1.5 TDCi (XWDC)		Diesel	FWD	1499	88	120	03.15-06.19	*
1.5 TDCi (XWDD)		Diesel	FWD	1499	88	120	03.15-06.19	*
1.5 TDCi (XWDE)		Diesel	FWD	1499	88	120	03.15-06.19	*
1.6 TDCi (T3DA)		Diesel	FWD	1560	70	95	12.10-06.19	*
1.6 TDCi (T3DB)		Diesel	FWD	1560	70	95	12.10-06.19	*
1.6 TDCi (T1DA)		Diesel	FWD	1560	85	115	12.10-06.19	*
1.6 TDCi (T1DB)		Diesel	FWD	1560	85	115	12.10-06.19	*
2.0 TDCi (TYDA)		Diesel	FWD	1997	85	115	02.11-06.19	*
2.0 TDCi (UKDB)		Diesel	FWD	1997	100	136	02.11-06.19	*
2.0 TDCi (UFDB)		Diesel	FWD	1997	103	140	02.11-06.19	*
2.0 TDCi (T7DB)		Diesel	FWD	1997	110	150	03.15-06.19	*
2.0 TDCi (T7DC)		Diesel	FWD	1997	110	150	03.15-06.19	*
2.0 TDCi (TXDB)		Diesel	FWD	1997	120	163	12.10-06.19	*
2.0 TDCi (T8DE)		Diesel	FWD	1997	125	170	03.15-06.19	*
KA+ III (UK, FK) 08.14-					[CAMBIADO]:Fastback (Supermini car-B Segment)			
1.0 Flex		Gasolina	FWD	997	63	86	08.14-	*
1.2 Ti-VCT		Gasolina	FWD	1196	65	88	09.15-	*
1.5 Flex		Gasolina	FWD	1499	81	110	08.14-	*
1.5 (UEJB)		Gasolina	FWD	1499	82	112	09.15-01.18	*
KA+ III (TK, FK) 08.14-					Sedán (Supermini car-B Segment)			
1.0 Flex		Gasolina	FWD	997	63	86	08.14-	*
1.2		Gasolina	FWD	1196	65	88	09.15-01.18	*
1.5 Flex		Gasolina	FWD	1499	81	110	08.14-	*
1.5 (UEJB)		Gasolina	FWD	1499	82	112	09.15-01.18	*
KUGA 02.08-11.12					Furgoneta/SUV (Compact SUV-J Segment)			
2.5		Gasolina	4WD	2521	147	200	02.08-11.12	*
TDCi		Diesel	FWD	1997	103	140	03.10-11.12	*
TDCi 4x4		Diesel	4WD	1997	103	140	03.10-11.12	*
TDCi 4x4		Diesel	4WD	1997	120	163	03.10-11.12	*
KUGA 02.08-11.12					SUV (Compact SUV-J Segment)			
2.5 (HYDB)		Gasolina	FWD	2522	147	200	03.09-11.12	*
2.5 (HYDC)		Gasolina	FWD	2522	147	200	03.09-11.12	*
2.5 4x4 (HYDB)		Gasolina	4WD	2522	147	200	02.08-11.12	*
2.5 4x4 (HYDC)		Gasolina	4WD	2522	147	200	02.08-11.12	*
2.0 TDCi (G6DG)		Diesel	FWD	1997	100	136	03.08-11.12	*
2.0 TDCi (UKDA)		Diesel	FWD	1997	100	136	03.08-11.12	*
2.0 TDCi 4x4 (G6DG)		Diesel	4WD	1997	100	136	03.08-11.12	*

LISTA DE APLICACIONES - BUYERS GUIDE

2.0 TDCi 4x4 (UKDA)		Diesel	4WD	1997	100	136	03.08-11.12	*
2.0 TDCi (UFDA)		Diesel	FWD	1997	103	140	03.10-11.12	*
2.0 TDCi 4x4 (UFDA)		Diesel	4WD	1997	103	140	03.10-11.12	*
2.0 TDCi 4x4 (TXDA)		Diesel	4WD	1997	120	163	03.10-11.12	*
KUGA II / ESCAPE III 05.12-					Furgoneta/SUV (Compact SUV-J Segment)			
1.5 EcoBoost (BNMA)		Gasolina	FWD	1499	88	120	06.19-12.19	*
1.5 EcoBoost (M8MA)		Gasolina	FWD	1499	110	150	09.14-12.19	*
1.5 EcoBoost 4x4		Gasolina	4WD	1499	129	176	06.19-12.19	*
1.5 EcoBoost 4x4 (M9MA)		Gasolina	4WD	1499	134	182	09.14-12.19	*
1.5 TDCi (XWMB)		Diesel	FWD	1499	88	120	01.19-12.19	*
1.5 TDCi (XWMC)		Diesel	FWD	1499	88	120	01.19-12.19	*
2.0 TDCi (XRMA)		Diesel	FWD	1997	88	120	09.14-12.19	*
2.0 TDCi (XRMB)		Diesel	FWD	1997	88	120	09.14-12.19	*
2.0 TDCi (T7MA)		Diesel	FWD	1997	110	150	09.14-12.19	*
2.0 TDCi (T7MB)		Diesel	FWD	1997	110	150	09.14-12.19	*
2.0 TDCi 4x4 (T7MA)		Diesel	4WD	1997	110	150	09.14-12.19	*
2.0 TDCi 4x4 (T7MB)		Diesel	4WD	1997	110	150	09.14-12.19	*
2.0 TDCi 4x4 (T8MA)		Diesel	4WD	1998	132	180	09.14-12.19	*
2.0 TDCi 4x4 (T8MB)		Diesel	4WD	1998	132	180	09.14-12.19	*
KUGA II / ESCAPE III (DM2) 05.12-					SUV (Compact SUV-J Segment)			
1.5 EcoBoost (BNMA)		Gasolina	FWD	1499	88	120	01.16-06.19	*
1.5 EcoBoost (M8MA)		Gasolina	FWD	1499	110	150	09.14-06.19	*
1.5 EcoBoost 4x4 (M8MA)		Gasolina	4WD	1499	110	150	07.16-12.19	*
1.5 EcoBoost 4x4		Gasolina	4WD	1499	129	176	08.18-06.19	*
1.5 EcoBoost 4x4 (M9MA)		Gasolina	4WD	1499	134	182	09.14-06.18	*
1.6 EcoBoost (JQMA)		Gasolina	FWD	1596	110	150	03.13-09.14	*
1.6 EcoBoost (JQMB)		Gasolina	FWD	1596	110	150	03.13-09.14	*
1.6 EcoBoost 4x4 (JQMA)		Gasolina	4WD	1596	110	150	03.13-09.14	*
1.6 EcoBoost 4x4 (JQMB)		Gasolina	4WD	1596	110	150	03.13-09.14	*
1.6 EcoBoost		Gasolina	FWD	1596	130	177	01.13-	*
1.6 EcoBoost 4x4 (JTMA)		Gasolina	4WD	1596	132	179	10.12-12.19	*
1.6 EcoBoost 4x4 (JTMA)		Gasolina	4WD	1596	134	182	03.13-09.14	*
1.6		Gasolina	FWD	1601	133	181	03.13-	*
2.0 EcoBoost 4x4		Gasolina	4WD	1999	169	230	03.19-12.19	*
2.0 EcoBoost 4x4 (R9MA)		Gasolina	4WD	1999	178	242	08.17-06.18	*
2.5		Gasolina	FWD	2488	110	150	01.14-12.19	*
1.5 TDCi (XWMB)		Diesel	FWD	1499	88	120	07.16-06.19	*
1.5 TDCi (XWMC)		Diesel	FWD	1499	88	120	07.16-06.19	*
2.0 TDCi (TYMA)		Diesel	FWD	1997	85	115	03.13-12.19	*
2.0 TDCi (XRMA)		Diesel	FWD	1997	88	120	09.14-06.19	*
2.0 TDCi (XRMB)		Diesel	FWD	1997	88	120	09.14-06.19	*
2.0 TDCi (UKMA)		Diesel	FWD	1997	100	136	03.13-12.19	*
2.0 TDCi 4x4 (UKMA)		Diesel	4WD	1997	100	136	03.13-12.19	*
2.0 TDCi (UFMA)		Diesel	FWD	1997	103	140	03.13-09.14	*
2.0 TDCi 4x4 (UFMA)		Diesel	4WD	1997	103	140	03.13-09.14	*
2.0 TDCi (T7MA)		Diesel	FWD	1997	110	150	09.14-06.19	*
2.0 TDCi (T7MB)		Diesel	FWD	1997	110	150	09.14-06.19	*
2.0 TDCi (T7MC)		Diesel	FWD	1997	110	150	09.14-06.19	*
2.0 TDCi (T7MD)		Diesel	FWD	1997	110	150	09.14-06.19	*
2.0 TDCi 4x4 (T7MA)		Diesel	4WD	1997	110	150	09.14-06.19	*

LISTA DE APLICACIONES - BUYERS GUIDE

2.0 TDCi 4x4 (T7MB)		Diesel	4WD	1997	110	150	09.14-06.19	*	
2.0 TDCi 4x4 (TXDA)		Diesel	4WD	1997	120	163	03.13-09.14	*	
2.0 TDCi 4x4 (TXMA)		Diesel	4WD	1997	120	163	03.13-09.14	*	
2.0 TDCi 4x4 (T8MA)		Diesel	4WD	1997	132	180	09.14-06.19	*	
2.0 TDCi 4x4 (T8MB)		Diesel	4WD	1997	132	180	09.14-06.19	*	
TOURNEO CONNECT II / GRAND TOURNEO CONNECT V408 09.13-					MPV (Large MPV-M1 Segment)				
1.0 EcoBoost (B3GA)		Gasolina	FWD	998	74	100	11.13-12.22	*	
1.0 EcoBoost (M2GA)		Gasolina	FWD	998	74	100	11.13-12.22	*	
1.0 EcoBoost (M2GB)		Gasolina	FWD	998	74	100	11.13-12.22	*	
1.6 EcoBoost (JQGA)		Gasolina	FWD	1596	110	150	11.13-12.22	*	
1.5 EcoBlue (BEGA)		Diesel	FWD	1499	55	75	05.18-12.22	*	
1.5 TDCi (XUGA)		Diesel	FWD	1499	55	75	05.15-12.22	*	
1.5 EcoBlue (Z2GA)		Diesel	FWD	1499	74	101	05.18-12.22	*	
1.5 TDCi (XVGA)		Diesel	FWD	1499	74	101	05.15-12.22	*	
1.5 TDCi (XVGB)		Diesel	FWD	1499	74	101	05.15-12.22	*	
1.5 TDCi (XVGC)		Diesel	FWD	1499	74	101	05.15-12.22	*	
1.5 TDCi (XXGA)		Diesel	FWD	1499	74	101	05.15-12.22	*	
1.5 EcoBlue (ZTGA)		Diesel	FWD	1499	88	120	05.18-12.22	*	
1.5 TDCi (XWGA)		Diesel	FWD	1499	88	120	05.15-12.22	*	
1.5 TDCi (XWGB)		Diesel	FWD	1499	88	120	05.15-12.22	*	
1.5 TDCi (XWGC)		Diesel	FWD	1499	88	120	05.15-12.22	*	
1.6 TDCi (UBGA)		Diesel	FWD	1560	55	75	09.13-12.22	*	
1.6 TDCi (TZGA)		Diesel	FWD	1560	70	95	09.13-12.22	*	
1.6 TDCi (TZGB)		Diesel	FWD	1560	70	95	09.13-12.22	*	
1.6 TDCi (T1GA)		Diesel	FWD	1560	85	115	09.13-12.22	*	
TRANSIT CONNECT II 09.13-					MPV (Large MPV-M1 Segment)				
1.6 EcoBoost		Gasolina	FWD	1596	110	150	02.13-	*	
2.5 Duratec		Gasolina	FWD	2488	126	171	09.13-	*	
1.5 TDCi (XUGA)		Diesel	FWD	1499	55	75	08.15-	*	
1.5 EcoBlue (Z2GA)		Diesel	FWD	1499	74	101	05.18-	*	
1.5 TDCi (XVGA)		Diesel	FWD	1499	74	101	05.15-	*	
1.5 TDCi (XVGB)		Diesel	FWD	1499	74	101	05.15-	*	
1.5 TDCi (XVGC)		Diesel	FWD	1499	74	101	05.15-	*	
1.5 TDCi (XXGA)		Diesel	FWD	1499	74	101	05.15-	*	
1.5 EcoBlue (ZTGA)		Diesel	FWD	1499	88	120	05.18-	*	
1.5 TDCi (XWGA)		Diesel	FWD	1499	88	120	05.15-	*	
1.5 TDCi (XWGB)		Diesel	FWD	1499	88	120	05.15-	*	
1.5 TDCi (XWGC)		Diesel	FWD	1499	88	120	05.15-	*	
1.6 TDCi (UBGA)		Diesel	FWD	1560	55	75	09.13-	*	
1.6 TDCi (TZGA)		Diesel	FWD	1560	70	95	09.13-	*	
1.6 TDCi (TZGB)		Diesel	FWD	1560	70	95	09.13-	*	
1.6 TDCi (T1GA)		Diesel	FWD	1560	85	115	09.13-	*	
TRANSIT CONNECT II V408 09.13-					Furgoneta/MPV (LCVs-N1 Segment)				
1.0 EcoBoost (B3GA)		Gasolina	FWD	998	74	100	09.13-	*	
1.0 EcoBoost (M2GA)		Gasolina	FWD	998	74	100	09.13-	*	
1.0 EcoBoost (M2GB)		Gasolina	FWD	998	74	100	09.13-	*	
1.6 EcoBoost (JQGA)		Gasolina	FWD	1596	110	150	11.13-	*	
2.5 Duratec		Gasolina	FWD	2488	126	171	09.13-	*	
1.5 EcoBlue (BEGA)		Diesel	FWD	1499	55	75	05.18-	*	
1.5 TDCi (XUGA)		Diesel	FWD	1499	55	75	08.15-	*	

LISTA DE APLICACIONES - BUYERS GUIDE

1.5 EcoBlue (Z2GA)		Diesel	FWD	1499	74	101	05.18-	*
1.5 TDCi (XVGA)		Diesel	FWD	1499	74	101	05.15-	*
1.5 TDCi (XVGB)		Diesel	FWD	1499	74	101	05.15-	*
1.5 TDCi (XVGC)		Diesel	FWD	1499	74	101	05.15-	*
1.5 TDCi (XXGA)		Diesel	FWD	1499	74	101	05.15-	*
1.5 EcoBlue (ZTGA)		Diesel	FWD	1499	88	120	05.18-	*
1.5 TDCi (XWGA)		Diesel	FWD	1499	88	120	05.15-	*
1.5 TDCi (XWGB)		Diesel	FWD	1499	88	120	05.15-	*
1.5 TDCi (XWGC)		Diesel	FWD	1499	88	120	05.15-	*
1.6 TDCi (UBGA)		Diesel	FWD	1560	55	75	09.13-	*
1.6 TDCi (TZGA)		Diesel	FWD	1560	70	95	09.13-	*
1.6 TDCi (TZGB)		Diesel	FWD	1560	70	95	09.13-	*
1.6 TDCi (T1GA)		Diesel	FWD	1560	85	115	09.13-	*
FORD (CHANGAN)								
FOCUS (CD5) 09.05-12.11					[CAMBIADO]:Fastback (Compact car-C Segment)			
1.8		Gasolina	FWD	1798	91	122	08.06-12.11	*
2.0		Gasolina	FWD	1999	104	140	08.06-12.11	*
FOCUS (CD4) 09.05-12.11					Sedán (Compact car-C Segment)			
1.8		Gasolina	FWD	1798	91	124	09.05-12.11	*
2.0		Gasolina	FWD	1999	104	140	09.05-12.11	*
KUGA 01.13-					SUV (Compact SUV-J Segment)			
1.6 GTDi		Gasolina	FWD	1596	130	177	01.13-	*
1.6 GTDi		Gasolina	FWD	1596	130	177	01.13-	*
2.0 GTDi		Gasolina	FWD	1998	178	242	01.13-	*
FORD AUSTRALIA								
KUGA (TE) 01.11-11.14					[CAMBIADO]:Fastback (Compact SUV-J Segment)			
1.6 EcoBoost		Gasolina	FWD	1596	134	182	04.13-11.14	*
2.5		Gasolina	FWD	2522	147	200	05.12-	*
2.0 D		Diesel	RWD	1998	120	163	04.13-	*
TRANSIT (VO) 09.14-					[CAMBIADO]:Furgón (LCVs-N1 Segment)			
2.2 TDCi		Diesel	RWD	2198	114	155	09.14-	*
TRANSIT (VO) 09.14-					Caja/Chasis (LCVs-N1 Segment)			
2.2 TDCi		Diesel	RWD	2198	114	155	09.14-	*
MAZDA								
3 / AXELA (BK) 10.03-12.09					[CAMBIADO]:Fastback (Compact car-C Segment)			
1.3 (BK14) (ZJ07)		Gasolina	FWD	1349	62	84	10.03-06.09	*
1.3 (BK14) (ZJ30)		Gasolina	FWD	1349	62	84	10.03-06.09	*
1.3 (BK14) (ZJ32)		Gasolina	FWD	1349	62	84	10.03-06.09	*
1.4		Gasolina	FWD	1388	59	80	02.04-06.09	*
1.6 (BK14) (Z601)		Gasolina	FWD	1598	77	105	10.03-06.09	*
1.6 (BK14) (Z627)		Gasolina	FWD	1598	77	105	10.03-06.09	*
2.0 (BKEP) (LF50)		Gasolina	FWD	1999	110	150	10.03-12.09	*
2.0 (BKEP) (LF72)		Gasolina	FWD	1999	110	150	10.03-12.09	*
2.0 (BKEP) (LFDE)		Gasolina	FWD	1999	110	150	10.03-12.09	*
2.0 (BKEP) (LFN7)		Gasolina	FWD	1999	110	150	10.03-12.09	*
2.0 (BKEP) (LFN8)		Gasolina	FWD	1999	110	150	10.03-12.09	*
2.0 (BKEP) (LFVE)		Gasolina	FWD	1999	110	150	10.03-12.09	*
2.3 MZR Sport		Gasolina	FWD	2261	126	171	10.03-06.09	*

LISTA DE APLICACIONES - BUYERS GUIDE

2.3 DiSi Turbo MPS (BK3P) (L3YH)		Gasolina	FWD	2261	184	250	06.06-06.09	*	
2.3 MPS Turbo (BK14) (L3M6)		Gasolina	FWD	2261	191	260	12.06-06.09	*	
2.3 MPS		Gasolina	FWD	2261	196	267	01.07-06.09	*	
1.6 MZ-CD (Y406)		Diesel	FWD	1560	66	90	06.06-12.09	*	
1.6 DI Turbo (Y601)		Diesel	FWD	1560	80	109	06.04-06.09	*	
1.6 DI Turbo (Y603)		Diesel	FWD	1560	80	109	06.04-06.09	*	
1.6 DI Turbo (Y605)		Diesel	FWD	1560	80	109	06.04-06.09	*	
1.6 DI Turbo (Y642)		Diesel	FWD	1560	80	109	06.04-06.09	*	
2.0 MZR-CD (BK14) (RF7J)		Diesel	FWD	1998	105	143	07.06-06.09	*	
2.0 MZR-CD (BK14) (RF8G)		Diesel	FWD	1998	105	143	07.06-06.09	*	
3 / AXELA (BK) 09.99-12.09							Sedán (Compact car-C Segment)		
1.6 (BK12) (Z601)		Gasolina	FWD	1598	77	105	02.04-06.09	*	
1.6 (BK12) (Z627)		Gasolina	FWD	1598	77	105	02.04-06.09	*	
2.0 16V		Gasolina	FWD	1995	109	148	01.04-	*	
2.0 16V		Gasolina	FWD	1995	110	150	01.04-	*	
2.0 (BKEP) (LF50)		Gasolina	FWD	1999	110	150	10.03-12.09	*	
2.0 (BKEP) (LF72)		Gasolina	FWD	1999	110	150	10.03-12.09	*	
2.0 (BKEP) (LFDE)		Gasolina	FWD	1999	110	150	10.03-12.09	*	
2.0 (BKEP) (LFN7)		Gasolina	FWD	1999	110	150	10.03-12.09	*	
2.0 (BKEP) (LFN8)		Gasolina	FWD	1999	110	150	10.03-12.09	*	
2.0 (BKEP) (LFVE)		Gasolina	FWD	1999	110	150	10.03-12.09	*	
2.3 (L3-VE)		Gasolina	FWD	2261	118	160	03.04-03.09	*	
2.3 16V		Gasolina	FWD	2295	116	158	01.04-	*	
2.3 16V		Gasolina	FWD	2295	118	160	01.04-	*	
2.3 16V		Gasolina	FWD	2295	118	160	01.04-	*	
1.6 DI Turbo (BK12Y) (Y601)		Diesel	FWD	1560	80	109	06.04-06.09	*	
1.6 DI Turbo (BK12Y) (Y603)		Diesel	FWD	1560	80	109	06.04-06.09	*	
1.6 DI Turbo (BK12Y) (Y605)		Diesel	FWD	1560	80	109	06.04-06.09	*	
1.6 DI Turbo (BK12Y) (Y642)		Diesel	FWD	1560	80	109	06.04-06.09	*	
2.0 MZR-CD (BK12) (RF7J)		Diesel	FWD	1998	105	143	12.06-06.09	*	
2.0 MZR-CD (BK12) (RF8G)		Diesel	FWD	1998	105	143	12.06-06.09	*	
5 II / PREMACY (CR) 02.05-12.10							MPV (Compact MPV-M1 Segment)		
1.8 (CR19) (L823)		Gasolina	FWD	1798	85	116	02.05-05.10	*	
2.0 (CREW, CR19) (LFF7)		Gasolina	FWD	1999	107	146	02.05-05.10	*	
2.3 (CR3W)		Gasolina	FWD	2261	122	166	02.05-09.08	*	
2.0 CD (CR19) (RF7J)		Diesel	FWD	1998	81	110	02.05-05.10	*	
2.0 CD (CR19) (RF7J)		Diesel	FWD	1998	105	143	02.05-05.10	*	
5 III / PREMACY (CW) 06.10-							MPV (Compact MPV-M1 Segment)		
1.6 CD (Y650)		Diesel	FWD	1560	85	116	07.10-	*	
1.6 CD (Y655)		Diesel	FWD	1560	85	116	07.10-	*	
1.6 CD (Y6Y1)		Diesel	FWD	1560	85	116	07.10-	*	
PREMACY (CP) 01.99-03.05							MPV (Compact MPV-M1 Segment)		
2.0		Gasolina	FWD	1999	107	145	02.05-03.05	*	
2.3 SVT		Gasolina	FWD	2261	122	166	02.05-03.05	*	
OPEL									
GT II (M07) 06.07-							Cabrío (Sports car-S Segment)		
2.0 (G67) (Z 20 NHH)		Gasolina	RWD	1998	194	264	06.07-12.11	*	
VOLVO									

LISTA DE APLICACIONES - BUYERS GUIDE

C30 (533) 09.06-12.13					[CAMBIADO]:Fastback (Compact car-C Segment)			
1.6 (B 4164 S3)		Gasolina	FWD	1596	74	100	10.06-12.12	*
1.8 (B 4184 S11)		Gasolina	FWD	1798	92	125	10.06-12.12	*
2.0 (B 4204 S3)		Gasolina	FWD	1999	107	145	10.06-12.12	*
2.4 i (B 5244 S4)		Gasolina	FWD	2435	125	170	10.06-12.12	*
T5 (B 5254 T3)		Gasolina	FWD	2521	162	220	10.06-12.12	*
T5 (B 5254 T7)		Gasolina	FWD	2521	169	230	03.07-12.12	*
T5		Gasolina	FWD	2521	184	250	10.07-12.13	*
1.8 Flexfuel (B 4184 S8)		Gasol./Etanol	FWD	1798	92	125	01.07-12.12	*
2.0 FlexFuel (B 4204 S4)		Gasol./Etanol	FWD	1999	107	146	01.10-12.12	*
Electric (E400V1)		Eléctrico	FWD		82	112	12.10-12.12	*
Electric (E400V1)		Eléctrico	FWD		89	120	12.10-12.12	*
1.6 D (D 4164 T)		Diesel	FWD	1560	80	109	10.06-12.12	*
D2 (D 4162 T)		Diesel	FWD	1560	84	115	10.10-12.12	*
D3 (D 5204 T5)		Diesel	FWD	1984	110	150	10.10-12.12	*
D4 (D 5204 T)		Diesel	FWD	1984	130	177	10.10-12.12	*
2.0 D (D 4204 T)		Diesel	FWD	1998	100	136	10.06-12.12	*
D5 (D 5244 T9)		Diesel	FWD	2400	120	163	10.06-12.12	*
D5 (D 5244 T13)		Diesel	FWD	2400	132	180	10.06-12.12	*
D5 (D 5244 T8)		Diesel	FWD	2400	132	180	10.06-12.12	*
C70 II (542) 03.06-12.13					Cabrio (Pony car-F Segment)			
2.4 (B 5244 S5)		Gasolina	FWD	2435	103	140	03.06-10.09	*
2.4 i (B 5244 S4)		Gasolina	FWD	2435	125	170	03.06-10.09	*
T5 (B 5254 T3)		Gasolina	FWD	2521	162	220	03.06-02.07	*
T5 (B 5254 T7)		Gasolina	FWD	2521	169	230	03.07-06.13	*
D3 (D 5204 T5)		Diesel	FWD	1984	110	150	10.10-06.13	*
D4 (D 5204 T)		Diesel	FWD	1984	130	177	10.10-06.13	*
2.0 D (D 4204 T)		Diesel	FWD	1998	100	136	01.08-10.09	*
2.4 D (D 5244 T9)		Diesel	FWD	2400	120	163	03.07-06.13	*
D5 (D 5244 T13)		Diesel	FWD	2400	132	180	03.06-06.13	*
D5 (D 5244 T8)		Diesel	FWD	2400	132	180	03.06-06.13	*
S40 II (544) 12.03-12.12					Sedán (Compact executive car-D Segment)			
1.6 (B 4164 S3)		Gasolina	FWD	1596	74	101	01.05-12.12	*
1.8 (B 4184 S11)		Gasolina	FWD	1798	92	125	04.04-12.10	*
2.0 (B 4204 S3)		Gasolina	FWD	1999	107	146	10.06-12.12	*
2.4 (B 5244 S5)		Gasolina	FWD	2435	103	140	01.04-12.10	*
2.4 (B 5244 S4)		Gasolina	FWD	2435	125	170	01.04-12.12	*
2.4 AWD		Gasolina	4WD	2435	125	170	08.06-12.12	*
T5 (B 5254 T3)		Gasolina	FWD	2521	162	220	01.04-12.07	*
T5 AWD (B 5254 T3)		Gasolina	4WD	2521	162	220	04.04-12.07	*
T5 (B 5254 T7)		Gasolina	FWD	2521	169	230	03.07-12.12	*
T5 AWD (B 5254 T7)		Gasolina	4WD	2521	169	230	03.07-12.10	*
1.8 Flexfuel (B 4184 S8)		Gasol./Etanol	FWD	1798	92	125	01.06-12.10	*
2.0 F (B 4204 S4)		Gasol./Etanol	FWD	1999	107	146	10.09-12.12	*
1.6 D (D 4164 T)		Diesel	FWD	1560	81	110	01.05-12.12	*
D2 (D 4162 T)		Diesel	FWD	1560	84	115	10.10-12.12	*
D3 (D 5204 T5)		Diesel	FWD	1984	110	150	10.10-12.12	*
D4 (D 5204 T)		Diesel	FWD	1984	130	177	10.10-12.12	*

LISTA DE APLICACIONES - BUYERS GUIDE

D4 (D 4204 T2)		Diesel	FWD	1998	96	131	07.05-12.06	*	
2.0 CDI (D 4204 T2)		Diesel	FWD	1998	98	133	07.05-12.06	*	
2.0 D (D 4204 T)		Diesel	FWD	1998	100	136	01.04-12.10	*	
2.4 CDI (D 5244 T9)		Diesel	FWD	2400	120	163	03.07-12.10	*	
D5 (D 5244 T13)		Diesel	FWD	2400	132	179	03.06-12.10	*	
D5 (D 5244 T8)		Diesel	FWD	2400	132	179	03.06-12.10	*	
V40 (526) 10.12-08.19							[CAMBIADO]:Fastback (Compact executive car-D Segment)		
T4 AWD (B 4204 T21)		Gasolina	4WD	1969	140	190	05.14-08.19	*	
T5 AWD (B 4204 T11)		Gasolina	4WD	1969	180	245	05.14-08.19	*	
T5 AWD (B 4204 T41)		Gasolina	4WD	1969	180	245	05.14-08.19	*	
T4 AWD (B 5204 T8)		Gasolina	4WD	1984	132	180	07.13-12.15	*	
T5 AWD (B 5204 T9)		Gasolina	4WD	1984	157	214	03.13-12.15	*	
T5 AWD		Gasolina	4WD	2497	183	249	01.14-12.15	*	
T5 AWD (B 5254 T12)		Gasolina	4WD	2497	187	254	10.12-12.16	*	
V40 II (525) 03.12-							[CAMBIADO]:Fastback (Compact executive car-D Segment)		
T2 (B 4154 T3)		Gasolina	FWD	1498	90	122	02.15-08.19	*	
T2 (B 4154 T5)		Gasolina	FWD	1498	90	122	02.15-08.19	*	
T3 (B 4154 T2)		Gasolina	FWD	1498	112	152	02.15-08.19	*	
T3 (B 4154 T4)		Gasolina	FWD	1498	112	152	02.15-08.19	*	
T2 GTDi (B 4164 T4)		Gasolina	FWD	1596	88	120	04.13-12.16	*	
T3 GTDi (B 4164 T3)		Gasolina	FWD	1596	110	150	03.12-12.16	*	
T4 GTDi (B 4164 T)		Gasolina	FWD	1596	132	180	03.12-12.16	*	
T4 GTDi AWD		Gasolina	4WD	1596	132	180	03.12-	*	
T4 (B 4164 T)		Gasolina	FWD	1596	147	200	04.14-12.15	*	
2.0 T		Gasolina	FWD	1948	121	165	04.13-	*	
T2 (B 4204 T17)		Gasolina	FWD	1969	90	122	02.15-08.19	*	
T2 (B 4204 T38)		Gasolina	FWD	1969	90	122	02.15-08.19	*	
T3 (B 4204 T33)		Gasolina	FWD	1969	112	152	02.15-08.19	*	
T3 (B 4204 T37)		Gasolina	FWD	1969	112	152	02.15-08.19	*	
T4 (B 4204 T19)		Gasolina	FWD	1969	140	190	08.15-08.19	*	
T5 (B 4204 T11)		Gasolina	FWD	1969	180	245	05.14-08.19	*	
T5 (B 4204 T41)		Gasolina	FWD	1969	180	245	05.14-08.19	*	
T5 Drive-E Polestar (B 4204 T11)		Gasolina	FWD	1969	186	253	05.14-08.19	*	
T4 (B 5204 T8)		Gasolina	FWD	1984	132	180	07.13-12.15	*	
T5		Gasolina	FWD	1984	154	210	03.14-	*	
T5 (B 5204 T9)		Gasolina	FWD	1984	157	214	03.13-12.15	*	
2.4		Gasolina	FWD	2435	125	170	10.13-	*	
T5 (B 5254 T14)		Gasolina	FWD	2497	183	249	01.14-12.14	*	
T5 (B 5254 T12)		Gasolina	FWD	2497	187	254	12.12-12.14	*	
D2 (D 4162 T)		Diesel	FWD	1560	84	114	03.12-12.16	*	
D2 (D 4204 T13)		Diesel	FWD	1969	88	120	02.15-08.19	*	
D2 (D 4204 T8)		Diesel	FWD	1969	88	120	02.15-08.19	*	
D3 (D 4204 T16)		Diesel	FWD	1969	110	150	04.15-08.19	*	
D3 (D 4204 T9)		Diesel	FWD	1969	110	150	04.15-08.19	*	
D4 (D 4204 T14)		Diesel	FWD	1969	140	190	05.14-08.19	*	
D4 Polestar (D 4204 T14)		Diesel	FWD	1969	147	200	05.14-08.19	*	
D3 (D 5204 T6)		Diesel	FWD	1984	110	150	03.12-03.15	*	
D4 (D 5204 T4)		Diesel	FWD	1984	130	177	03.12-12.14	*	
V40 II (525) 09.13-12.15							Furgón/hatchback (Compact executive car-D Segment)		
1.6 D2/ DRIVe (D 4162 T)		Diesel	FWD	1560	84	114	09.13-12.15	*	

LISTA DE APLICACIONES - BUYERS GUIDE

2.0 D3 (D 5204 T6)	Diesel	FWD	1984	110	150	09.13-12.15	*
2.0 D4 (D 5204 T4)	Diesel	FWD	1984	130	177	09.13-12.14	*
V50 (545) 12.03-12.12				[CAMBIADO]:Break (Luxury car-F Segment)			
1.6 (B 4164 S3)	Gasolina	FWD	1596	74	101	01.05-12.12	*
1.8 (B 4184 S11)	Gasolina	FWD	1798	92	125	04.04-12.10	*
2.0 (B 4204 S3)	Gasolina	FWD	1999	107	146	10.06-12.12	*
2.4 (B 5244 S5)	Gasolina	FWD	2435	103	140	04.04-12.10	*
2.4 (B 5244 S4)	Gasolina	FWD	2435	125	170	04.04-12.10	*
2.4 AWD (B 5244 S4)	Gasolina	4WD	2435	125	170	08.06-12.09	*
T5 (B 5254 T3)	Gasolina	FWD	2521	162	220	04.04-12.07	*
T5 AWD (B 5254 T3)	Gasolina	4WD	2521	162	220	04.04-12.07	*
T5 (B 5254 T7)	Gasolina	FWD	2521	169	230	03.07-12.12	*
T5 AWD (B 5254 T7)	Gasolina	4WD	2521	169	230	03.07-12.10	*
1.8 Bifuel	Gasol./Gas (LPG)	FWD	1798	93	126	01.09-09.10	*
1.8 Flexfuel (B 4184 S8)	Gasol./Etanol	FWD	1798	92	125	01.05-12.10	*
2.0 FlexFuel (B 4204 S4)	Gasol./Etanol	FWD	1999	107	146	01.10-12.12	*
1.6 D (D 4164 T)	Diesel	FWD	1560	80	109	03.05-12.12	*
1.6 D (D 4164 T)	Diesel	FWD	1560	81	110	01.05-12.11	*
D2 (D 4162 T)	Diesel	FWD	1560	84	114	01.10-12.12	*
D3 (D 5204 T5)	Diesel	FWD	1984	110	150	10.10-12.12	*
D4 (D 5204 T)	Diesel	FWD	1984	130	177	10.10-12.12	*
2.0 D4 (D 4204 T2)	Diesel	FWD	1998	96	131	07.05-12.06	*
2.0 CDI (D 4204 T2)	Diesel	FWD	1998	98	133	12.03-12.06	*
2.0 D (D 4204 T)	Diesel	FWD	1998	100	136	04.04-12.10	*
2.4 TDi (D 5244 T9)	Diesel	FWD	2400	120	163	05.07-12.10	*
D5 (D 5244 T13)	Diesel	FWD	2400	132	179	03.06-12.10	*
D5 (D 5244 T8)	Diesel	FWD	2400	132	179	03.06-12.10	*
VOLVO (CHANGAN)							
S40 06.06-				Sedán (Compact car-C Segment)			
2.4	Gasolina	FWD	2435	125	170	06.06-12.11	*
2.5	Gasolina	FWD	2521	162	220	06.06-12.10	*