

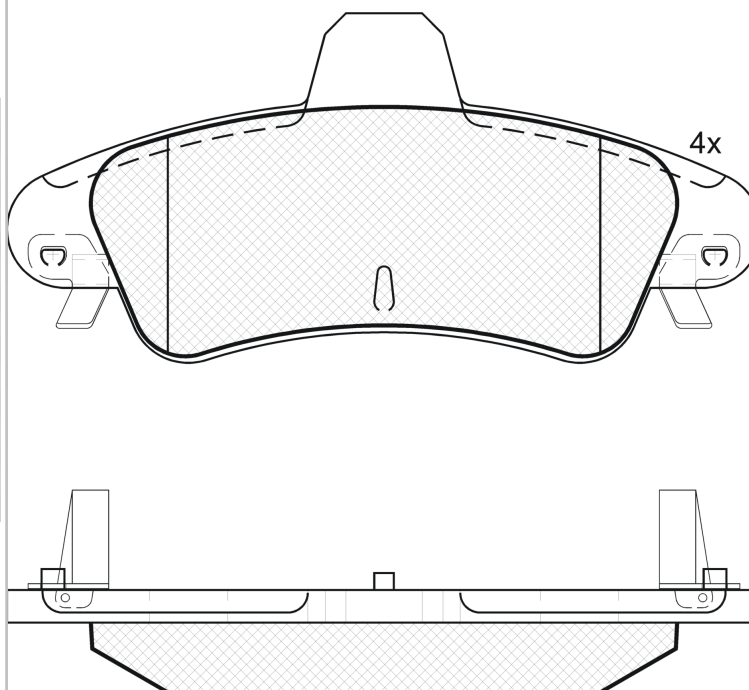
LISTA DE APLICACIONES - BUYERS GUIDE

RB1735-204



Qty: 944 Weight: 920

O.E.M.	MAKE
1 088 934	FORD
1 089 404	FORD
1 129 985	FORD
1 204 850	FORD
1 500 667	FORD
1 521 414	FORD
1 672 938	FORD
F5RZ-2200-B	FORD USA
XS71-2M008-AB	FORD
XS71-2M008-AC	FORD
XS71-2M008-AD	FORD
XS71-2M008-AE	FORD
XS7J-2M008-AA	FORD
XS7J-2M008-AB	FORD
XS7Z-2200-AA	FORD



RB1735-204

E 9 90R-01110/1385



Bosch

115.7x53.59x15.7

WVA	FMSI
23410	D899-7780

Sin Filas



Trac.	CC	Kw	CV
-------	----	----	----



Front / Rear

FORD

COUGAR (EC_) 08.98-12.01

Coupé (Sports car-S Segment)

Model	Gasolina	Trac.	CC	Kw	CV	Year Range	*
2.0 16V (EDBA)	Gasolina	FWD	1988	96	131	08.98-12.01	*
2.0 16V (EDBB)	Gasolina	FWD	1988	96	131	08.98-12.01	*
2.0 16V (EDBC)	Gasolina	FWD	1988	96	131	08.98-12.01	*
2.0 16V (EDBD)	Gasolina	FWD	1988	96	131	08.98-12.01	*
2.5 V6 24V (LCBB)	Gasolina	FWD	2495	125	170	06.00-12.01	*
2.5 V6 24V (LCBC)	Gasolina	FWD	2495	125	170	06.00-12.01	*
2.5 V6 24V (LCBE)	Gasolina	FWD	2495	125	170	06.00-12.01	*
2.5 ST 200 (SGA)	Gasolina	FWD	2495	151	205	01.00-12.01	*
2.5 V6 24V (LCBA)	Gasolina	FWD	2544	125	170	08.98-12.01	*
2.5 V6 24V (LCBB)	Gasolina	FWD	2544	125	170	08.98-12.01	*
2.5 V6 24V (LCBC)	Gasolina	FWD	2544	125	170	08.98-12.01	*
2.5 V6 24V (LCBE)	Gasolina	FWD	2544	125	170	08.98-12.01	*

MONDEO (GBP) 02.93-08.96

[CAMBIADO]:Fastback (Large family car-D Segment)

Model	Gasolina	Trac.	CC	Kw	CV	Year Range	*
1.6 i 16V (L1J)	Gasolina	FWD	1597	65	88	07.94-08.96	*
1.6 i 16V (L1F)	Gasolina	FWD	1597	66	90	02.93-08.96	*
1.8 i 16V (RKB)	Gasolina	FWD	1796	82	112	07.94-08.96	*
1.8 i 16V (RKA)	Gasolina	FWD	1796	85	115	02.93-08.96	*
1.8 i 16V 4x4 (RKA)	Gasolina	4WD	1796	85	115	02.93-08.96	*
2.0 i 16V 4x4 (NGA)	Gasolina	4WD	1988	97	132	12.94-08.96	*
2.0 i 16V (NGA)	Gasolina	FWD	1988	100	136	02.93-08.96	*
2.0 i 16V 4x4 (NGA)	Gasolina	4WD	1988	100	136	04.93-08.96	*
2.5 i 24V (SEA)	Gasolina	FWD	2544	125	170	07.94-08.96	*

LISTA DE APLICACIONES - BUYERS GUIDE

1.8 TD (RFM)		Diesel	FWD	1753	65	88	06.93-08.96	*	
1.8 TD (RFN)		Diesel	FWD	1753	65	88	06.93-08.96	*	
1.8 TD (RFM)		Diesel	FWD	1753	66	90	10.95-08.96	*	
1.8 TD (RFN)		Diesel	FWD	1753	66	90	10.95-08.96	*	
MONDEO (GBP) 01.93-08.96							Sedán (Large family car-D Segment)		
1.6 i 16V (L1J)		Gasolina	FWD	1597	65	88	07.94-08.96	*	
1.6 i 16V (L1F)		Gasolina	FWD	1597	66	90	02.93-08.96	*	
1.8 i 16V (RKB)		Gasolina	FWD	1796	82	112	01.94-08.96	*	
1.8 i 16V (RKA)		Gasolina	FWD	1796	85	115	02.93-08.96	*	
2.0 i 16V 4x4 (NGA)		Gasolina	4WD	1988	97	132	12.94-08.96	*	
2.0 i 16V (NGA)		Gasolina	FWD	1988	100	136	02.93-08.96	*	
2.5 i 24V (SEA)		Gasolina	FWD	2544	125	170	07.94-08.96	*	
1.8 TD (RFM)		Diesel	FWD	1753	65	88	06.93-08.96	*	
1.8 TD (RFN)		Diesel	FWD	1753	65	88	06.93-08.96	*	
1.8 TD (RFM)		Diesel	FWD	1753	66	90	10.95-08.96	*	
1.8 TD (RFN)		Diesel	FWD	1753	66	90	10.95-08.96	*	
MONDEO II (BAP) 08.96-09.00							[CAMBIADO]:Fastback (Large family car-D Segment)		
1.6 i (L1J)		Gasolina	FWD	1597	66	90	08.96-09.00	*	
1.6 i 16V (L1L)		Gasolina	FWD	1597	70	95	05.98-09.00	*	
1.6 i 16V (L1N)		Gasolina	FWD	1597	70	95	05.98-09.00	*	
1.6 i 16V (L1Q)		Gasolina	FWD	1597	70	95	05.98-09.00	*	
1.8 i (RKB)		Gasolina	FWD	1796	85	115	08.96-09.00	*	
1.8 i (RKF)		Gasolina	FWD	1796	85	115	08.96-09.00	*	
1.8 i (RKH)		Gasolina	FWD	1796	85	115	08.96-09.00	*	
1.8 i (RKJ)		Gasolina	FWD	1796	85	115	08.96-09.00	*	
1.8 i (RKK)		Gasolina	FWD	1796	85	115	08.96-09.00	*	
2.0 i (NGA)		Gasolina	FWD	1988	96	131	08.96-09.00	*	
2.0 i (NGB)		Gasolina	FWD	1988	96	131	08.96-09.00	*	
2.0 i (NGC)		Gasolina	FWD	1988	96	131	08.96-09.00	*	
2.0 i (NGD)		Gasolina	FWD	1988	96	131	08.96-09.00	*	
2.5 24V (SEB)		Gasolina	FWD	2495	125	170	06.00-09.00	*	
2.5 24V (SEC)		Gasolina	FWD	2495	125	170	06.00-09.00	*	
2.5 ST 200 (SGA)		Gasolina	FWD	2495	151	205	05.99-09.00	*	
2.5 24V (SEA)		Gasolina	FWD	2544	125	170	08.96-09.00	*	
1.8 TD (RFN)		Diesel	FWD	1753	66	90	08.96-09.00	*	
MONDEO II (BFP) 08.96-09.00							Sedán (Large family car-D Segment)		
1.6 i (L1J)		Gasolina	FWD	1597	66	90	08.96-09.00	*	
1.6 i 16V (L1L)		Gasolina	FWD	1597	70	95	05.98-09.00	*	
1.6 i 16V (L1N)		Gasolina	FWD	1597	70	95	05.98-09.00	*	
1.6 i 16V (L1Q)		Gasolina	FWD	1597	70	95	05.98-09.00	*	
1.8 i (RKB)		Gasolina	FWD	1796	85	115	08.96-09.00	*	
1.8 i (RKF)		Gasolina	FWD	1796	85	115	08.96-09.00	*	
1.8 i (RKH)		Gasolina	FWD	1796	85	115	08.96-09.00	*	
1.8 i (RKJ)		Gasolina	FWD	1796	85	115	08.96-09.00	*	
1.8 i (RKK)		Gasolina	FWD	1796	85	115	08.96-09.00	*	
2.0 i (NGA)		Gasolina	FWD	1988	96	131	08.96-09.00	*	
2.0 i (NGB)		Gasolina	FWD	1988	96	131	08.96-09.00	*	
2.0 i (NGC)		Gasolina	FWD	1988	96	131	08.96-09.00	*	
2.0 i (NGD)		Gasolina	FWD	1988	96	131	08.96-09.00	*	
2.5 24V (LCBD)		Gasolina	FWD	2495	125	170	06.00-09.00	*	

LISTA DE APLICACIONES - BUYERS GUIDE

2.5 24V (SEB)		Gasolina	FWD	2495	125	170	06.00-09.00	*	
2.5 24V (SEC)		Gasolina	FWD	2495	125	170	06.00-09.00	*	
2.5 ST 200 (SGA)		Gasolina	FWD	2495	151	205	05.99-09.00	*	
2.5 24V (SEA)		Gasolina	FWD	2544	125	170	08.96-09.00	*	
1.8 TD (RFN)		Diesel	FWD	1753	66	90	08.96-09.00	*	
MONDEO II Turnier (BNP) 08.96-09.00							[CAMBIADO]:Break (Large family car-D Segment)		
1.6 i (L1J)		Gasolina	FWD	1597	66	90	08.96-09.00	*	
1.6 i 16V (L1L)		Gasolina	FWD	1597	70	95	05.98-09.00	*	
1.6 i 16V (L1N)		Gasolina	FWD	1597	70	95	05.98-09.00	*	
1.6 i 16V (L1Q)		Gasolina	FWD	1597	70	95	05.98-09.00	*	
1.8 i (RKA)		Gasolina	FWD	1796	85	115	08.96-09.00	*	
1.8 i (RKB)		Gasolina	FWD	1796	85	115	08.96-09.00	*	
1.8 i (RKF)		Gasolina	FWD	1796	85	115	08.96-09.00	*	
1.8 i (RKH)		Gasolina	FWD	1796	85	115	08.96-09.00	*	
1.8 i (RKJ)		Gasolina	FWD	1796	85	115	08.96-09.00	*	
1.8 i (RKK)		Gasolina	FWD	1796	85	115	08.96-09.00	*	
2.0 i (NGA)		Gasolina	FWD	1988	96	131	08.96-09.00	*	
2.0 i (NGB)		Gasolina	FWD	1988	96	131	08.96-09.00	*	
2.0 i (NGC)		Gasolina	FWD	1988	96	131	08.96-09.00	*	
2.0 i (NGD)		Gasolina	FWD	1988	96	131	08.96-09.00	*	
2.5 24V (SEB)		Gasolina	FWD	2495	125	170	10.99-09.00	*	
2.5 24V (SEC)		Gasolina	FWD	2495	125	170	10.99-09.00	*	
2.5 ST 200 (SGA)		Gasolina	FWD	2495	151	205	05.99-09.00	*	
2.5 24V (SEA)		Gasolina	FWD	2544	125	170	08.96-09.00	*	
1.8 TD (RFN)		Diesel	FWD	1753	66	90	08.96-09.00	*	
MONDEO Turnier (BNP) 01.93-08.96							[CAMBIADO]:Break (Large family car-D Segment)		
1.6 i 16V (L1J)		Gasolina	FWD	1597	65	88	07.94-08.96	*	
1.6 i 16V (L1F)		Gasolina	FWD	1597	66	90	04.93-08.96	*	
1.8 i 16V (RKB)		Gasolina	FWD	1796	82	112	07.94-08.96	*	
1.8 i 16V (RKA)		Gasolina	FWD	1796	85	115	04.93-08.96	*	
1.8 i 16V 4x4 (RKA)		Gasolina	4WD	1796	85	115	04.93-08.96	*	
2.0 i 16V 4x4 (NGA)		Gasolina	4WD	1988	97	132	12.94-08.96	*	
2.0 i 16V (NGA)		Gasolina	FWD	1988	100	136	04.93-08.96	*	
2.0 i 16V 4x4 (NGA)		Gasolina	4WD	1988	100	136	04.93-08.96	*	
2.5 i 24V (SEA)		Gasolina	FWD	2544	125	170	07.94-08.96	*	
1.8 TD (RFM)		Diesel	FWD	1753	65	88	06.93-08.96	*	
1.8 TD (RFN)		Diesel	FWD	1753	65	88	06.93-08.96	*	
1.8 TD (RFM)		Diesel	FWD	1753	66	90	11.95-08.96	*	
1.8 TD (RFN)		Diesel	FWD	1753	66	90	11.95-08.96	*	
FORD USA									
CONTOUR (U.S.A.) 08.93-12.97							Sedán (Compact car-C Segment)		
2.0 S		Gasolina	FWD	1988	93	126	08.93-12.97	*	
2.0 S		Gasolina	FWD	1988	93	126	09.97-08.00	*	
2.0		Gasolina	FWD	1988	96	131	09.97-08.00	*	
2.5		Gasolina	FWD	2544	127	173	09.97-08.00	*	
2.5 SE		Gasolina	FWD	2544	127	173	09.93-08.96	*	
2.5 SVT		Gasolina	FWD	2544	149	203	09.97-08.00	*	